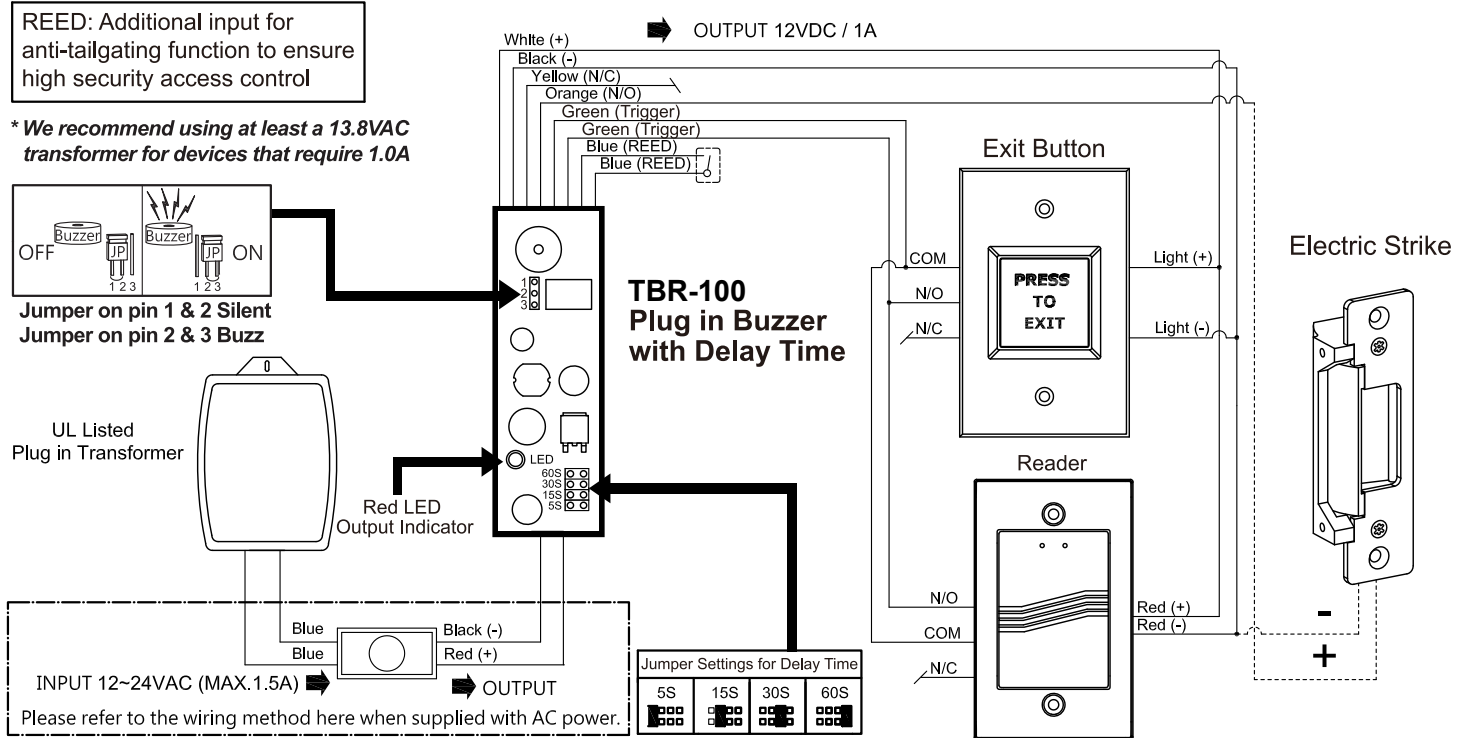


TBR-100 Plug-in Buzzer, Rectifier, Delay Timer, Instruction Manual

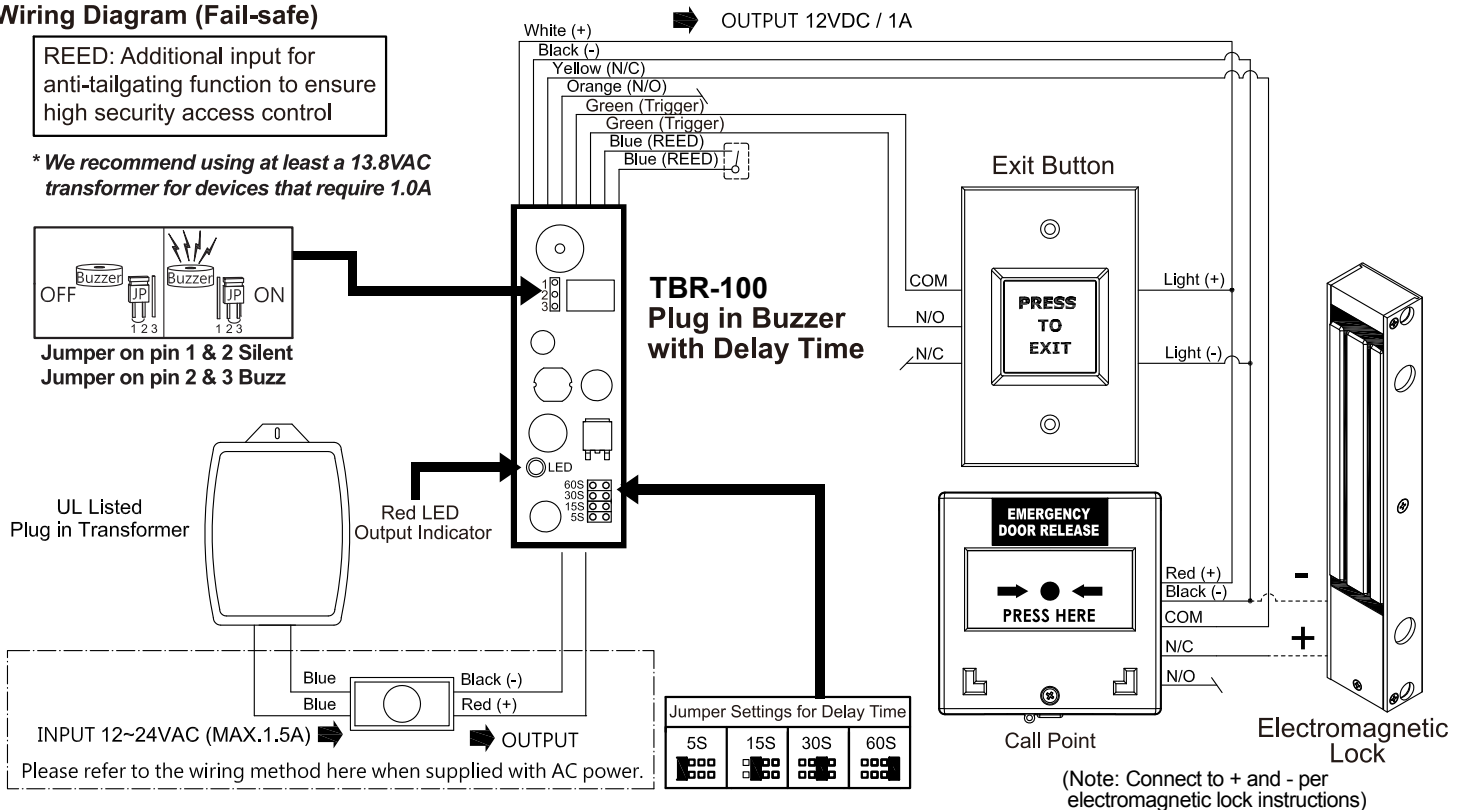
TBR-100 Plug in Buzzer (Delay Time) can be integrated with access controls. It features a relock delay timer and provides indication of door unlocked status.

- Power Input: 12~24VDC/VAC
- Output Rating: 12VDC/1A
- The device is powered continuously
- The trigger is connected to a N/O push button
- Selectable relock delay time (5, 15, 30, or 60 seconds)
- Additional input for anti-tailgating function
- Built-in piezo buzzer
- Output overload or short circuit protection
- Indicating beeps for door unlocked status
- AC transformers should range from 12 to 24 VAC, and DC power supplies from 14-24 VDC

Wiring Diagram (Fail-secure)



Wiring Diagram (Fail-safe)



For details regarding the limited warranty:

Customer Service

1-877-671-7011

www.allegion.com/us