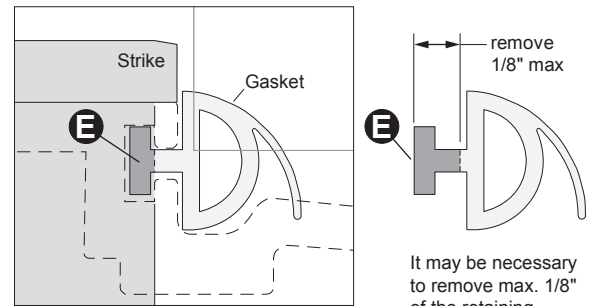
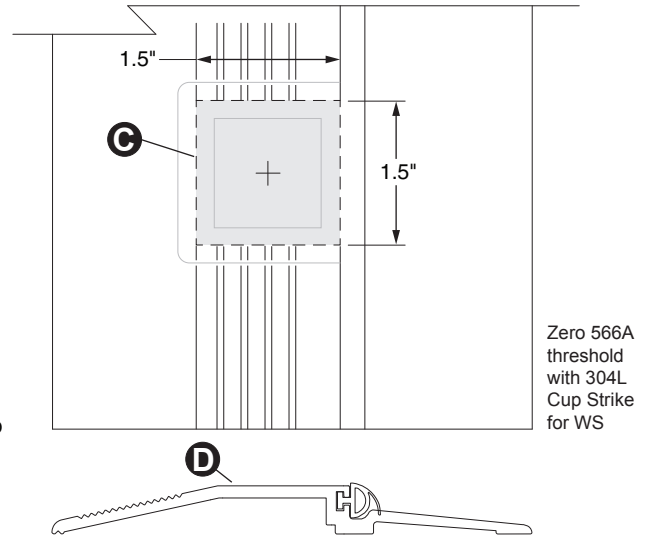
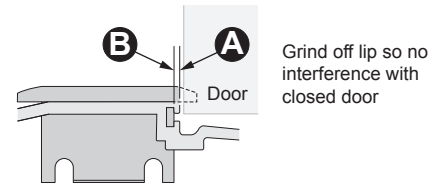


INSTALLING ZERO 566A RABBETED THRESHOLD AND STRIKE FOR WS98/9927 AND WS98/9957 WINDSTORM DEVICES

1. Install frame, door, and hardware necessary to determine the bottom latch and threshold locations referencing the drawing below.
2. Grind off strike lip on door side so no interference when door is closed. Can grind flush with threshold **A**, but no further than to outer wall of strike **B**.
3. Cut and notch threshold to fit slab between jambs and set in place. Transfer hardware location on door down to threshold and mark a 1.5" x 1.5" square for the strike location on threshold **C**. Note in drawing that strike location for rabbeted thresholds is typically further from the door face than in slab and saddle threshold installations **D**.
4. Remove rubber gasket from threshold and cut the marked 1.5" x 1.5" hole in threshold.
5. It may be necessary to remove max. 1/8" of the retaining section (back) on the rubber O-ring gasket the width of the cup strike body, where the "T" retaining section could interfere with the strike once installed in the threshold **E**.
Slide gasket back into threshold and seal any gap created in the strike area with adhesive sealant (provided by others).
6. Place threshold back in position on slab. Mark strike location on slab.
7. Remove threshold. Mark min. 3/4" outside of strike perimeter location resulting in a 3" min. square (adjust smaller if square goes beyond footprint of threshold on slab).
8. Cut the 3" min. square hole 1" min. below the bottom of the strike into the slab and prep this hole for grout as recommended (typical min. 3000 lb psi grout).
9. Mount threshold onto slab with anchors as specified.
10. Fill cavity hole through hole in threshold so that the cavity and threshold are fully filled with grout around the strike location.
11. Push strike into place fully so lip sits flush onto threshold.
12. Use a 1"x1" stick to push grout down into strike so that the latch bolt can fully engage without interference with mortar. Wipe away excess grout. Set weight on cup strike until grout is set to keep grout from pushing the strike up.

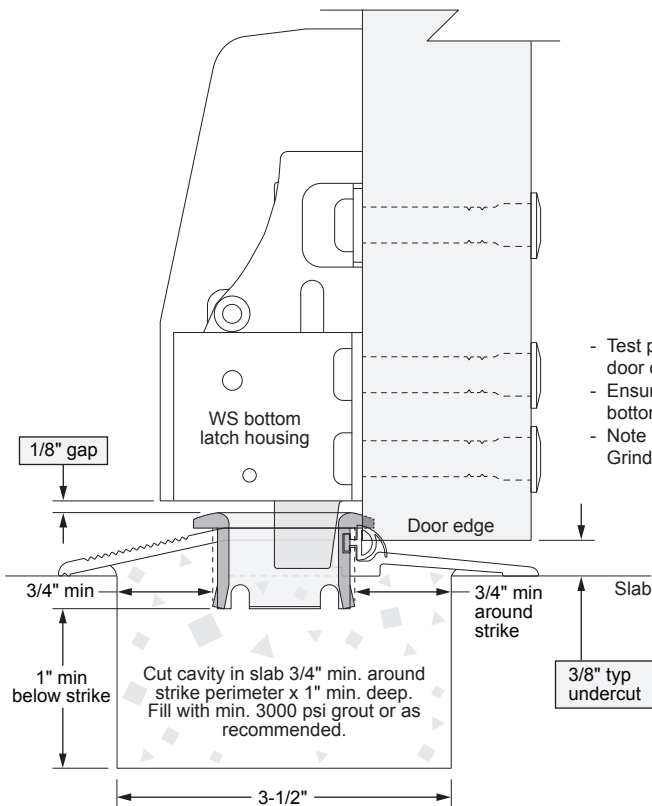
Note:

1. Test proper latch engagement, door closure and seal function throughout the installation process and adjust as needed. Ensure the required 1/8" gap between bottom of latch housing and top of strike per Von Duprin WS hardware instructions.
2. In determining the height location of the bottom latch on the door, the bottom latch housing will typically be mounted higher than the bottom of the door when using rabbeted thresholds.
3. If a water infiltration threshold cannot be used, an overhang mounted above the opening must be installed per FBC.



Note interference of strike and gasket after cutting threshold.

It may be necessary to remove max. 1/8" of the retaining section (back) on the rubber O-ring gasket where it could interfere with the strike once installed in the threshold.



- Test proper latch engagement and door closure prior to full install.
- Ensure required 1/8" gap between bottom of latch housing and top of strike.
- Note interference with closed door. Grind strike lip edge per instructions.