

# AD-250

## Standalone Electronic Lock



### Overview

AD Series electronic locks from Schlage are designed to be modular and provide more options to choose from, more functionality in the lock and more compatibility with existing systems. Its patent-pending modular design allows the lock to be customized to fit the needs of an application now, and can change to meet future needs without removing it from the door.

Factory orderable options include choices of magnetic stripe credential readers, chassis type, locking functions, power options, lever styles and finishes. It also offers a wide selection of features that can be configured in the field to customize your openings.

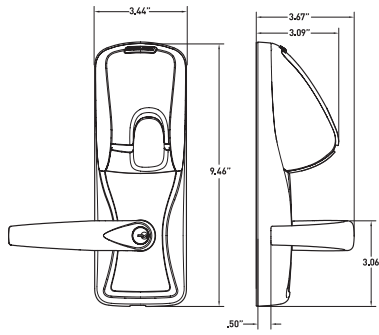
The AD-250 is a unique solution in which the credential, not the lock, carries access rights on a magnetic stripe card. This allows dynamic rights management on the card without reprogramming each lock in the facility. And the lock still maintains an audit trail of events at the door. This makes it a smart and economical solution for campus-like environments with a large number of users and offline openings.

On all AD Series standalone locks, Schlage has built in many of the incremental features needed in a networked system such as request-to-exit and request-to-enter sensors, interior cover tamper guard, as well as the door position switch. This way, if the customer chooses to network this opening in the future, all the components will be there to make the transition an easy one.

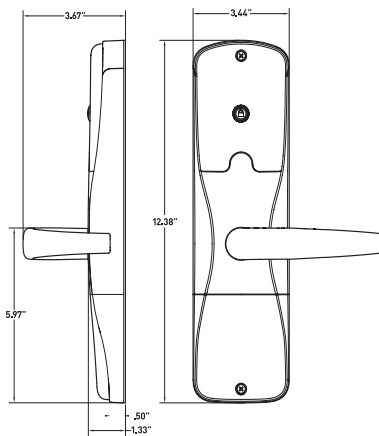
### Features & Benefits

- Security that's more intelligent and convenient than traditional mechanical locking devices
- Audit trail reports that allow you to track usage
- Add users and access rights using credentials instead of having to visit each lock
- The ability to upgrade to a networked solution without removing the lock from the door
- Available in cylindrical, mortise, mortise deadbolt and exit trim
- Compatible with major brands of master key systems and exit devices

**Exterior**



**Interior**



**AD-250 Electronic Lock Specifications**

Users	Unlimited, dependent on software
Audits	Up to 10,000
Credential verification time	≤ 1 second
Visual/audible communications	Tri-colored LED's and audible indicators (field configurable)
System interface	SUS mobile app on compatible Android devices with SUS-A Cable; also supported by legacy Schlage Handheld Devices (HHD)
Power supply	4AA, 8AA, 12 VDC or 24 VDC
Voltage range	4 VDC to 26 VDC
Max current requirement	Up to 250 mA
Battery life	Up to 2 yrs with 4 AA batteries
Operating temperature	Exterior: -31° to 151°F (-35° to 66°C) Interior: 32° to 120°F (0° to 49°C) (batteries)
Operating humidity	0 - 100% non-condensing
Certifications	ANSI/BHMA A156.25, ANSI/BHMA Grade 1; UL 294; ULC S319; UL 10C 3 hour; FCC Part 15; Industry Canada (IC); ADA compliant;  Cylindrical and mortise chassis only: TDI DR-464, DR-465; FL12400, FL4613, FL1592, FL13013, FL14482; Mortise chassis only: FL3905
Accessories	SUS-A Cable with SUS Android mobile app, magnetic stripe credential encoder (CL-Encoder 2)

**Functions**

- Storeroom<sup>1</sup>
- Office/classroom<sup>1</sup>
- Privacy
- Apartment

**Standard Status Signals**

- Lock/unlock status
- Mechanical key override
- Battery status

# Schlage Utility Software

The Schlage Utility Software (SUS) mobile app on compatible Android mobile devices and SUS-A cable provides an easy way to manage people, audits and locks for simple access control management.

**Schlage Utility Software**

- Initialize lock and accessories
- Field configure devices
  - Credential reader formats
  - Lock function
  - Unlock period
  - Failure mode
  - Audible alarm on/off
- Service and diagnostics
  - Battery status
  - Validate hardware and software revision
  - Troubleshooting status signals
  - Firmware upgrades
- New device template simplifies configuration



1. Storeroom and office/classroom function not available with mortise deadbolt option. To ensure safety, all functions always allow for free egress.

Mechanical Specifications			
Chassis	Cylindrical	Mortise	Exit trim
Handing	Handed to order, field reversible		
ANSI standard (Meets or exceeds)	A156.25 A156.2 Series 4000 Grade 1	A156.25 A156.13 Series 1000 Grade 1	A156.25 A156.3
Door thickness	1-3/4" standard, 1-3/8" to 2-3/4" optional (available in 1/8" increments)		
Backset	Standard: 2-3/4" Optional: 2-3/8", 3-3/4", 5"	2-3/4" only	Defined by exit device
Latch bolt	Standard: 1/2" throw Optional: 3/4" throw	Standard: 3/4" throw Optional: 1" throw on mortise deadbolt	Provided by exit device
Levers	Pressure cast zinc, plated		
Strike	Standard: 1-3/16" lip, ANSI, 1-1/4" x 4-7/8" Optional: Additional configurations available please see price book		Provided by exit device
Cylinder and keys	Schlage 6-pin Everest 29 S123 keyway Conventional cylinder with two patented keys standard. Additional options available including SFIC, FSIC and competitor brands. <a href="#">See Lever &amp; Cylinder Compatibility Data Sheet.</a>		

AD Series exit trim is compatible with Von Duprin 98/99 and 98/99XP (rim, mortise, SVR); and CVC, CVR on metal doors only), Von Duprin 22/22F (rim and SVR) and Falcon 25 (rim) exit devices from Allegion. The AD Series is also compatible with select rim exit devices from Sargent, Corbin Russwin, Yale, Dorma and Precision.

For Von Duprin and Falcon solutions, a low current request-to-exit switch (RX-LC or AE) is recommended for future network migration.

Refer to the [AD Series Exit Trim Compatibility Guide](#) for additional details.

## Available AD-250 Reader Options



### Magnetic stripe (swipe)

- Triple track reader (1, 2 or 3), field configurable
- ABA, ISO76XX standard
- Reader can be cleaned without removing lock from door
- 12 button, 3x4 matrix backlit keypad

■ KEYPAD



### Magnetic stripe (swipe)

- Triple track reader (1, 2 or 3), field configurable
- ABA, ISO76XX standard
- Reader can be cleaned without removing lock from door



### Magnetic stripe (insertion)

- Triple track reader (1, 2 or 3), field configurable
- ABA, ISO76XX standard
- KEYPAD



### Magnetic stripe (insertion)

- Triple track reader (1, 2 or 3), field configurable
- ABA, ISO76XX standard

# Ordering Information

Available through one of our GSA schedule 84 approved distributions.

<b>AD</b>	<b>- 250</b>	<b>- CY</b>	<b>- 70</b>	<b>- MG</b>	<b>- SPA</b>	<b>- 626</b>	<b>- P6</b>	<b>- S123</b>	<b>- RH</b>	<b>- 4B</b>	<b>- 13-247</b>	<b>- 10-025</b>	<b>- 134</b>
Series	Class	Chassis	Function	Reader	Lever Style	Finish	Key Cylinder	Keyway	Handing	Battery	Backset & Latch or Armored Front	Strike	Door Thickness
1	2	3	4	5	6	7	8	9	10	11	12	13	14

Standard options are indicated with a dot. See price book for specific configuration options.

### 3 Chassis

CY	Cylindrical
MS	Mortise
MD	Mortise deadbolt
993R	Exit trim – Rim/CVC/CVR
993S	Exit trim – SVR
993M	Exit trim – mortise
993DT	Non-functioning dummy trim for exit

### 4 Function

40	Privacy
50	Office/classroom
60	Apartment
70	Storeroom

### 5 Reader

MG	Magnetic stripe (insertion)
MGK	Magnetic stripe + keypad (insertion)
• MS	Magnetic stripe (swipe)
MSK	Magnetic stripe + keypad (swipe)
DT	Dummy trim

### 6 Lever

ATH	Athens
BRK	Boardwalk
BRW	Broadway
LAT	Latitude
LON	Longitude
RHO	Rhodes
SPA	Sparta
TLR	Tubular

Available with tactile warning options.

### 7 Finish

605	Bright Brass
606	Satin Brass
612	Satin Bronze
619	Satin Nickel
625	Bright Chrome
• 626	Satin Chrome
626AM	Satin Chrome Antimicrobial
643e	Aged Bronze

### 8 Key Cylinder

• P6	Schlage 6-pin conventional key-in-lever cylinder
------	--------------------------------------------------

See price book for other SFIC, FSIC and less cylinder options available. Compatible with Schlage®, Sargent®, Corbin Russwin, Medeco® and Yale®.

### 9 Keyway

• S123	Everest 29
--------	------------

See price book for other available keyway options including restricted keyways in Primus XP high security cylinders and master keying.

### 10 Handing

• RH	Right handed
LH	Left handed

Field reversible.

### 11 Battery

• 4B	4AA
8B	8AA

### 12 Backset & Latch or Armored Front

• 13-247	Cylindrical: 2-3/4" backset deadlatch, square corner, 1-1/8" x 2-1/4"
• 09-663	Mortise: Armor front, 1-1/4" wide, square corner

See price book for mortise deadbolt and other backset and latch options or armor front options.

### 13 Strike

• 10-025	Cylindrical: 1-3/16" lip, ANSI, no box, 1-1/4" x 4-7/8"
• 10-072	Mortise: 1-3/16" lip, 1-1/4" x 4-7/8" square corner, box

See price book for other available strikes.

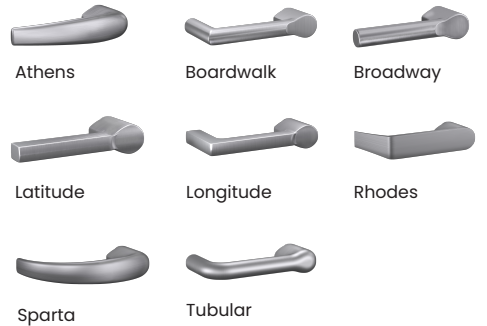
### 14 Door Thickness

• 134	1-3/4"
-------	--------

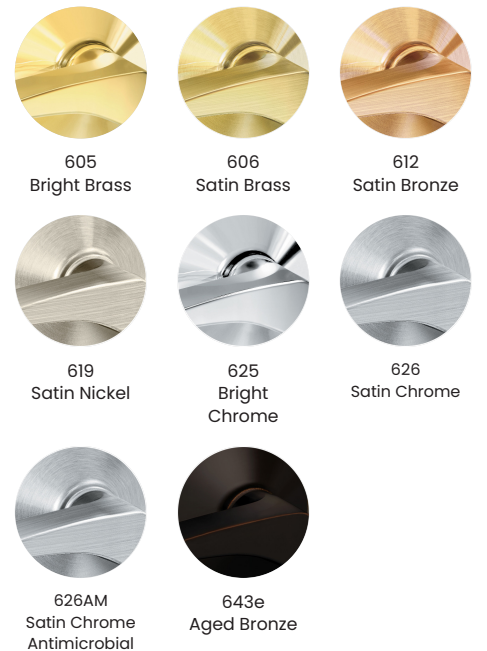
Other thicknesses available between 1-3/8" and 2-3/4" See price book for details.

## Lever Styles

Conventional cylinders shown, SFIC and FSIC also available.



## Finishes



Allegion, the Allegion logo, Schlage, the Schlage logo and Falcon are trademarks of Allegion plc, its subsidiaries and/or affiliates in the United States and other countries. All other trademarks are the property of their respective owners.