



AD-302

FIPS 201-2 APL Listed
Networked Hardwired
Electronic Lock



Overview

AD Series electronic locks from Schlage® are designed to be modular and provide more options to choose from, more functionality in the lock and greater compatibility with existing systems. Its patented modular design allows the lock to be customized to fit the needs of an application now, and changed to meet future needs without removing it from the door.

AD-302 locks feature a multi-technology card and keypad reader (FMK) that is fully PIV and PIV-I capable for dual authentication to an external server. The open architecture software design of AD Series facilitates integration making AD-302 a desirable part of a Physical Access Control Software (PACS) provider's offering. Any completed PACS integrations that are tested and approved under HSPD-12 guidelines can then be applied in U.S. Federal Agency Buildings.

Factory orderable options include choices of chassis type, network configurations, locking functions, lever styles and finishes. It also offers a wide selection of features that can be configured in the field to customize your openings.

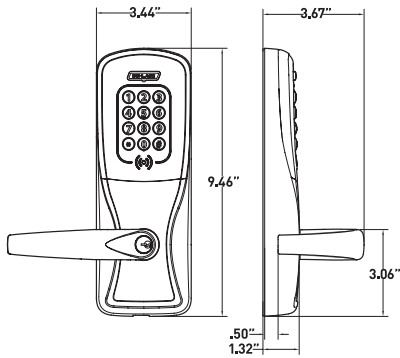
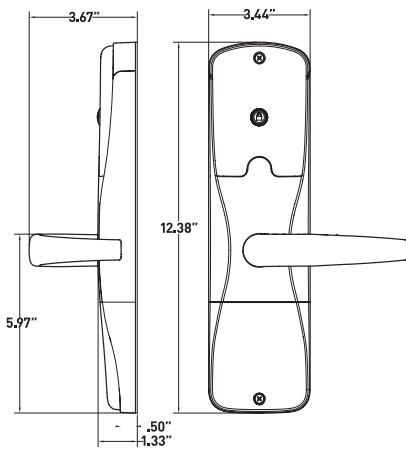
To simplify installation, the AD Series combines all the hardware components required at the door into one design that includes the electrified lock, credential reader, request-to-exit sensor, request-to-enter sensor, and both door position and tamper switches. The AD-302 has a number of features built in that are configurable in the field and a long list of items that can be monitored by access control software.

Features & Benefits

- PIV and PIV-I compatible
- Open architecture platform
- AD-302 locks can wire directly into the panel of integrated RS-485 access control software partners
- Real-time communication between access control system and lock
- Field configurable fail safe/fail secure and other capabilities per code
- Available in cylindrical, mortise, mortise deadbolt and exit trim
- Compatible with major brands of master key systems

CYBERSECURITY

Learn about Allegion's commitment

Exterior

Interior

AD-302 Electronic Lock Specifications

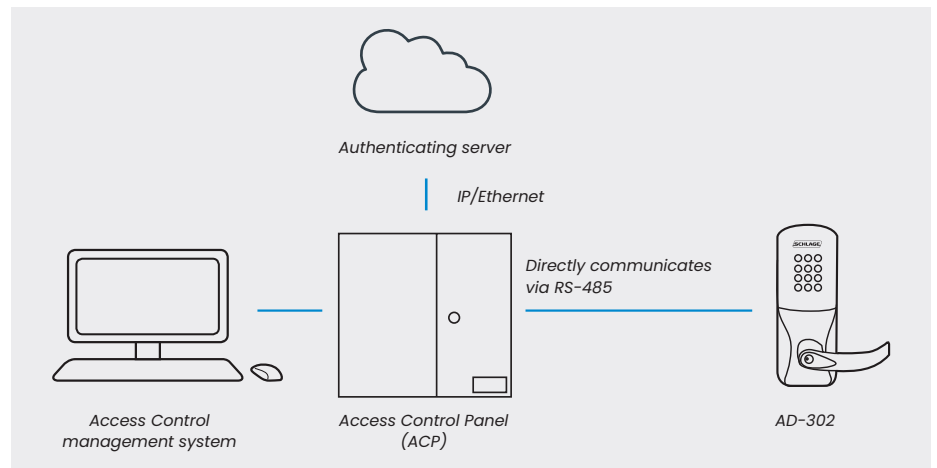
Credential verification time	<2 seconds in FASC-N mode: card certificate validated by the ACP only 2-4 seconds in full authentication mode: card certificate validated by 3rd party server
Data rate	RS-485 : 9.6 kbps
Visual/audible communications	Tri-colored LED's and audible indicators (field configurable)
System interface	RS-485 directly
Power supply	12 VDC or 24 VDC
Voltage range	4 VDC to 26 VDC
Max current requirement	Up to 250 mA
Cable specifications for power	18AWG, 2 conductor (Belden 8760 or equivalent)
Cable distance for power	AD-302 to power supply: up to 1,000 ft (303 m)
Cable specifications for data	24AWG, 2 or 4 conductor shielded (Belden 9841, 9842 or equivalent)
Cabling distance for data	AD-302 to ACP, RS-485: up to 4000 ft (1219 m)
Operating temperature	-31° to 151°F (-35° to 66°C)
Operating humidity	0 - 100% non-condensing
Certifications	ANSI/BHMA A156.25; ANSI/BHMA Grade 1; UL 294; ULC S319; UL 10C 3 hour; FCC Part 15; Industry Canada (IC); ADA compliant Cylindrical and mortise chassis only: TDI DR-464; DR-465; FL12400, FL4613, FL1592, FL13013, FL14482 Mortise chassis only: FL3905
Accessories	SUS-A Cable with SUS Android™ mobile app. Also supported by existing Handheld Devices (HHD)

Functions

- Storeroom²
- Office/classroom²
- Privacy³
- Apartment

Standard Status Signals

- Lock/unlock status
- Mechanical key override
- Battery status



1. Storeroom and office/classroom functions not available with mortise deadbolt option.

Mechanical Specifications			
	Cylindrical	Mortise	Exit Trim
Handing	Handed to order, field reversible		
ANSI standard (meets or exceeds)	A156.25 locked outdoor A156.2 Series 4000 Grade 1	A156.25 locked outdoor A156.13 Series 1000 Grade 1	A156.25 locked outdoor A156.3 Grade 1
Door thickness	1-3/4" standard, 1-3/8" to 2-3/4" optional (available in 1/8" increments)		
Backset	Standard: 2-3/4" Optional: 2-3/8", 3-3/4", 5"	2-3/4" only	Defined by exit device
Latch bolt	Standard: 1/2" throw Optional: 3/4" throw	Standard: 3/4" throw Optional: 1" throw on mortise deadbolt	Provided by exit device
Levers	Pressure cast zinc, plated		
Strike	Standard: 1-3/16" lip, ANSI, 1-1/4" x 4-7/8" Optional: Additional configurations available, please see price book		Provided by exit device
Cylinder and keys	Schlage® 6-pin Everest 29 S123 keyway Conventional cylinder with two patented keys standard. Additional options available including SFIC, FSIC and competitor brands. See lever and cylinder compatibility data sheet.		

AD Series exit trim is compatible with Von Duprin 98/99 and 98/99XP (rim, mortise, SVR; and CVC, CVR on metal doors only), Von Duprin 22/22F (rim and SVR) and Falcon 25 (rim) exit devices from Allegion. The AD Series is also compatible with select rim exit devices from Sargent, Corbin Russwin, Yale, Dorma and Precision.

For Von Duprin and Falcon solutions, a low current request-to-exit switch (RX-LC or AE) is required. The part numbers are:
 Von Duprin: 050281
 Falcon: 650359

Refer to the [AD Series Exit Trim Compatibility Guide](#) for additional details.

FMK Multi-Technology Reader Specification	
Credential technologies	Proximity (125 kHz), Smart (13.56 MHz)
Standards	ISO 15693, ISO 14443
Read range	Proximity: up to 1.25"; Smart: up to .75"
Proximity credential support	Compatibility: Schlage, HID ² , GE/CASI ProxLite®, AWID® and LenelProx®
Smart credential support	Secure sector compatibility: Schlage MIFARE Classic®, Schlage MIFARE Plus®, Schlage MIFARE® DESFire®; PIV and PIV-I CSN only compatibility: HID iCLASS®, HID iCLASS SE ¹ , Inside Contactless Pico Tag®, MIFARE Classic/Plus/DESFire, ST Microelectronics®, Texas Instruments Tag-It®, Phillips I-Code®
Certifications	FCC, Industry Canada (IC), UL 294
Options	12 button, 3 x 4 matrix backlit keypad

1. 75 bit output format default. Configurable to other output formats.
 2. Proximity bit lengths greater than 37 not supported.

AD Series FMK Reader Modules

The AD Series is an ideal solution for applications which require approval by the U.S. Federal Government under HSPD-12 for FIPS 201-2 compliance. It is possible to upgrade existing, non-compliant AD Series locks to the new standard as follows:

- Field upgrade AD Series locks not currently set up for FIPS 201-2 by replacing the reader module with a FIPS 201-2 PIV-I capable FMK reader (sold separately)
- Field upgrade AD Series FIPS 201-1 compliant locks with an FMK reader manufactured after August 2016 by uploading FIPS 201-2 compatible firmware (AD.A.121 or higher)



PIV capable

- The FMK reader is required on AD Series locks to achieve FIPS 201-2 compliance; It supports proximity cards and is PIV-I capable using 13.56 MHz smart card technologies

KEYPAD

Both types of upgrades should only be performed by a PACS provider who has tested and been approved under HSPD-12 for AD Series integration.

Ordering Information

Available through one of our GSA schedule 84 approved distributions. BAA options available

AD	-	302	-	CY	-	70	-	FMK	-	SPA	-	626	-	P6	-	S123	-	RH	-	13-247	-	10-025	-	134
Series		Class		Chassis		Function		Reader		Lever Style		Finish		Key Cylinder		Keyway		Handing		Backset & Latch or Armored Front		Strike		Door Thickness
1		2		3		4		5		6		7		8		9		10		11		12		13

Standard options are indicated with a dot. See price book for specific configuration options.

3 Chassis

CY	Cylindrical
MS	Mortise
MD	Mortise deadbolt
993R	Exit trim – Rim/CVC/CVR
993S	Exit trim – SVR
993M	Exit trim – mortise
993DT	Non-functioning dummy trim for exit

4 Function

40	Privacy
50	Office/classroom
60	Apartment
70	Storeroom

Lock function capabilities are determined by users access control system.

5 Reader

• FMK	FIPS 201-1 compliant multi-technology + keypad (125 kHz and 13.56 MHz)
-------	--

6 Lever

ATH	Athens
BRK	Boardwalk
BRW	Broadway
LAT	Latitude
LON	Longitude
RHO	Rhodes
SPA	Sparta
TLR	Tubular

Available with tactile warning options.

7 Finish

605	Bright Brass
606	Satin Brass
612	Satin Bronze
619	Satin Nickel
625	Bright Chrome
• 626	Satin Chrome
626AM	Satin Chrome Antimicrobial
643e	Aged Bronze

8 Key Cylinder

• P6	Schlage 6-pin conventional key-in-lever cylinder
------	--

See price book for other SFIC, FSIC and less cylinder options available. Compatible with Schlage®, Sargent®, Corbin Russwin, Medeco® and Yale®.

9 Keyway

• S123	Everest 29
--------	------------

See price book for other available keyway options including restricted keyways in Primus XP high security cylinders and master keying.

10 Handing

• RH	Right handed
LH	Left handed

Field reversible.

11 Backset & Latch or Armored Front

• 13-247	Cylindrical: 2-3/4" backset deadlatch, square corner, 1-1/8" x 2-1/4"
• 09-663	Mortise: Armor front, 1-1/4" wide, square corner

See price book for mortise deadbolt and other backset and latch options or armor front options.

12 Strike

• 10-025	Cylindrical: 1-3/16" lip, ANSI, no box, 1-1/4" x 4-7/8"
• 10-072	Mortise: 1-3/16" lip, 1-1/4" x 4-7/8" square corner, box

See price book for other available strikes.

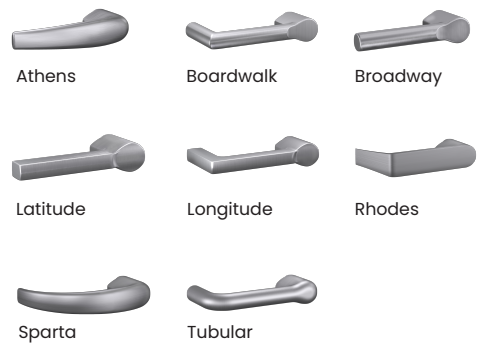
13 Door Thickness

• 134	1-3/4"
-------	--------

Other thicknesses available between 1-3/8" and 2-3/4" See price book for details.

Lever Styles

Conventional cylinders shown, SFIC and FSIC also available.



Finishes

