

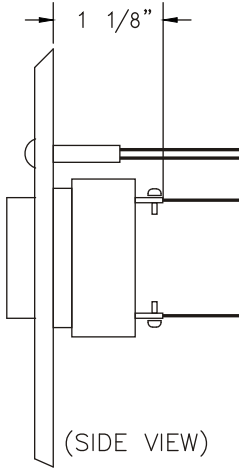
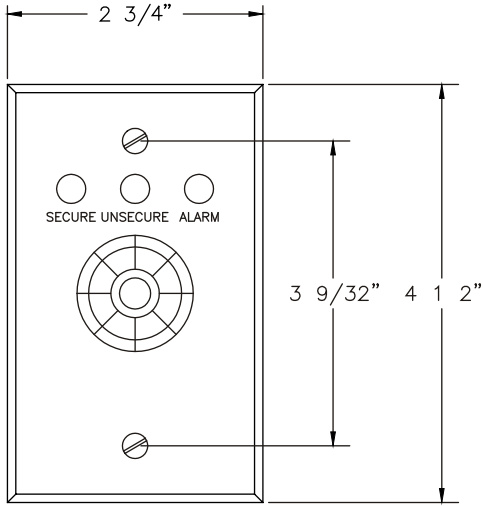


24480857

801-Series Local and Remote Monitoring Station



Installation Instructions



Specifications	
Audible	LED Indicators:
Input Req: 10-28VDC/3-14mA	Input Req: 10-28VDC/3-14mA ea.
Rated: 70dB @ 2ft @28VDC	Secure - Green
	Unsecured - Red
	Alarm - Yellow
Hook-Up Leads:	Touch Entry Leads:
(4) 24 AWG - 6" long	2 Conductor, 22 AWG., 1ft
BLK (C) - Common	White and Black
RED (U) - Unsecured	
RED (S) - Secure	
RED (A) - Alarm	

⚠ IMPORTANT NOTE ⚠
 Unit must be equipped with MBS option for LEDs to work.

Description

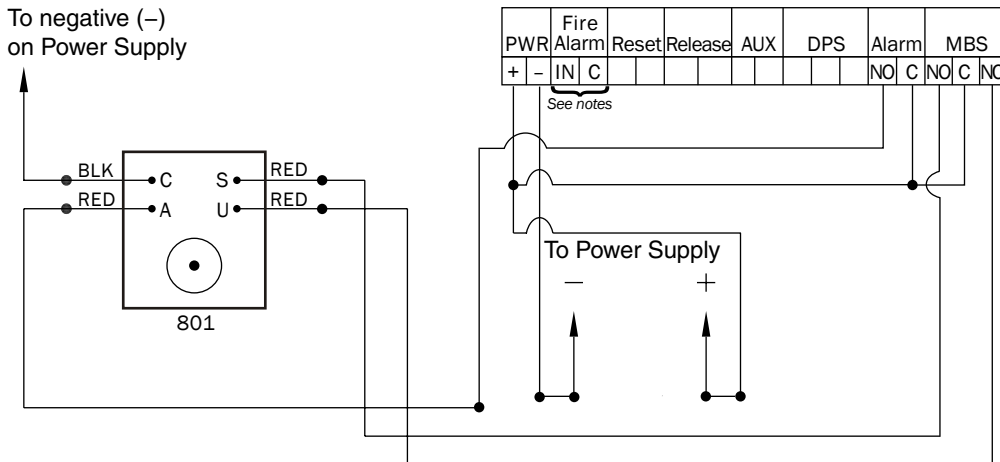
Provides local signal to assure users that a delayed egress system is functional (code requirement). Includes audible and visual indication of lock status and delay activation. Mounts in standard single gang electrical box.

Description of Operation

The 801 is wired to a magnetic lock delayed egress system as shown on wiring diagram (page 2). The following is an operation sequence from normal (secure) condition - through an unauthorized egress attempt - to system reset:

Condition:	801 Status
Door closed and secure	Alarm Silent - Green LED on
Unauthorized egress attempt	Alarm Sounds - Green & Red LED on
After 15 (or 30) second delay	Alarm Sounding - Yellow & Red LED on
System reset	Alarm Silent - Green LED on
Legal release	Alarm Silent - Red LED on

M490DEP



NOTES:
 Fire alarm connection:
 For direct connection, fire alarm terminals connect to N.C. Dry Output Contacts (open on alarm). Conductor count to mag changes to four (4). If power supply output is controlled by fire alarm, place jumper between fire alarm terminals.

Customer Service
 1-877-671-7011 www.allegion.com/us

