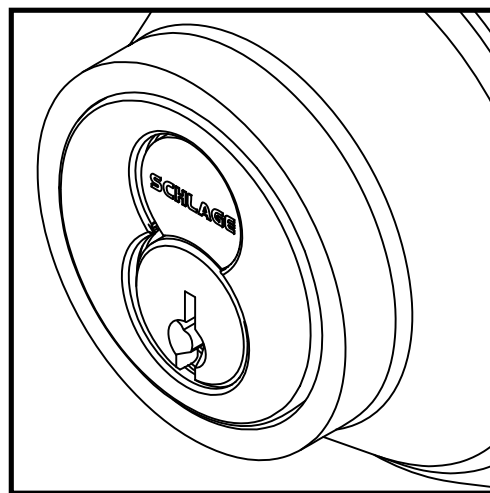
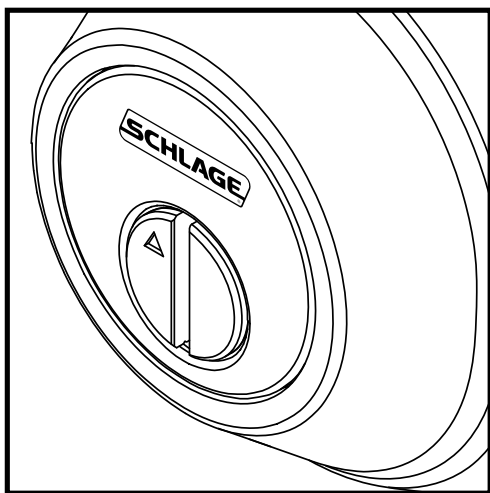
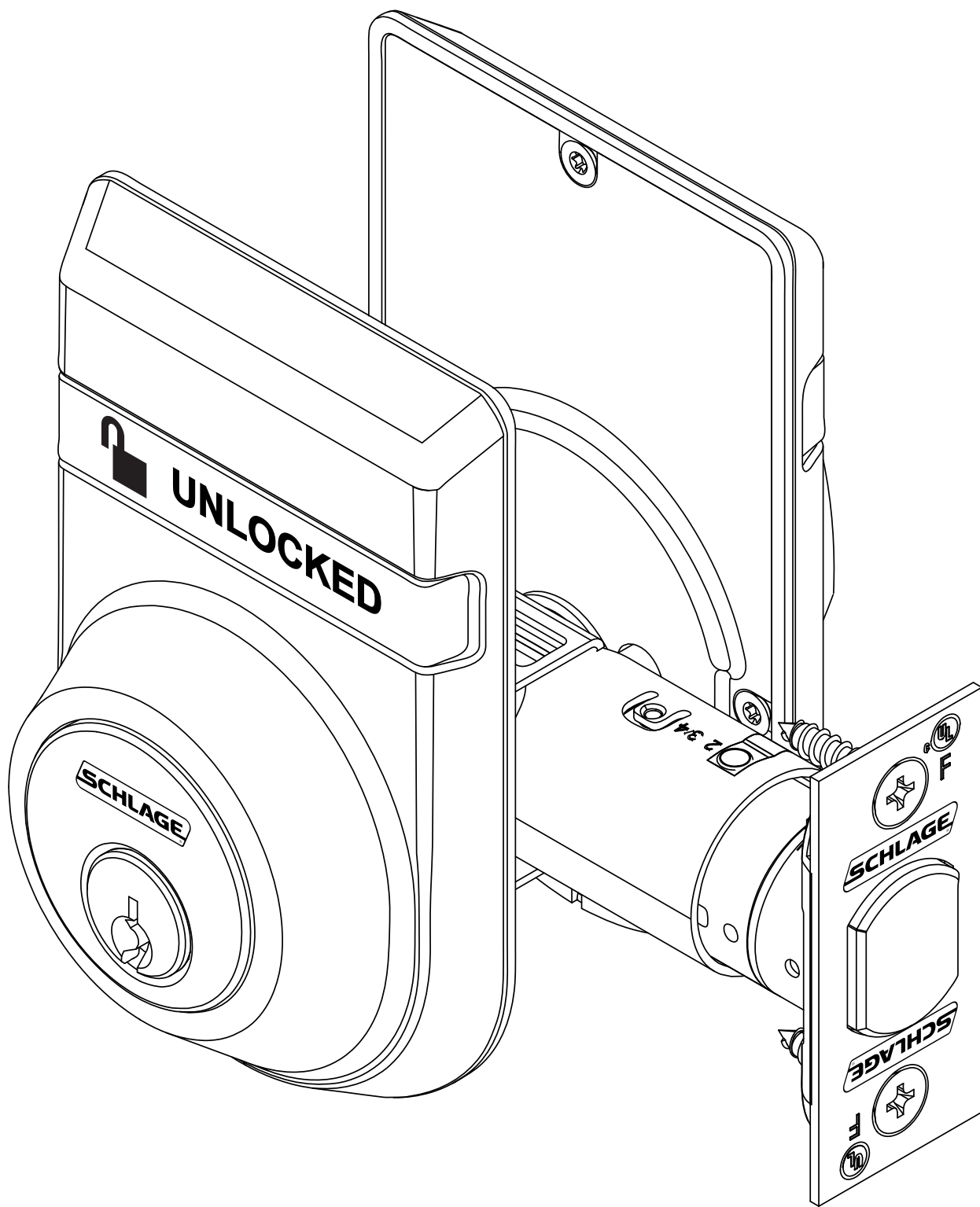




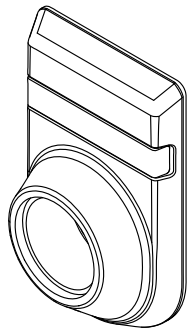
B-Series Indicator

Installation Instructions

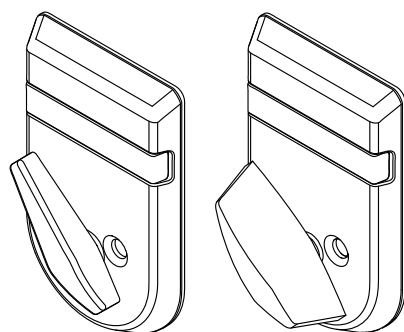


Part Identification

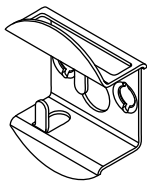
Indicator Cylinder Escutcheon



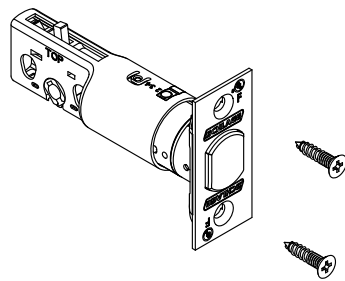
Indicator Turn Escutcheon



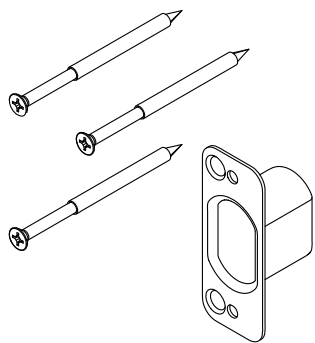
Fire Cup



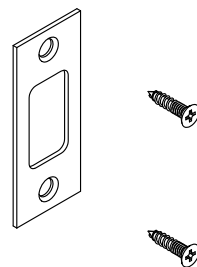
Deadbolt Latch



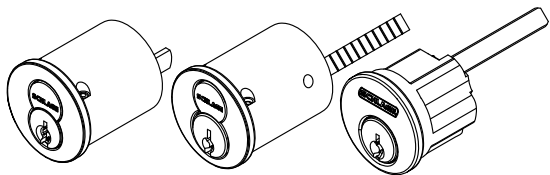
Metal Dust Box Reinforcer



Strike Plate



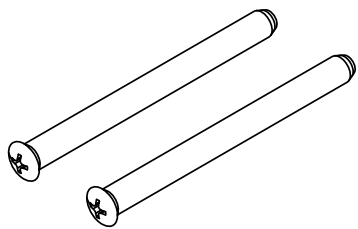
Key Cylinders



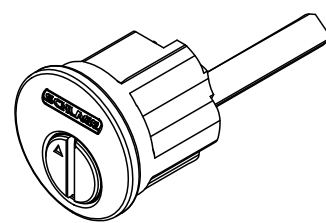
Fire Cup Disk



Mounting Bolts



Privacy Cylinder



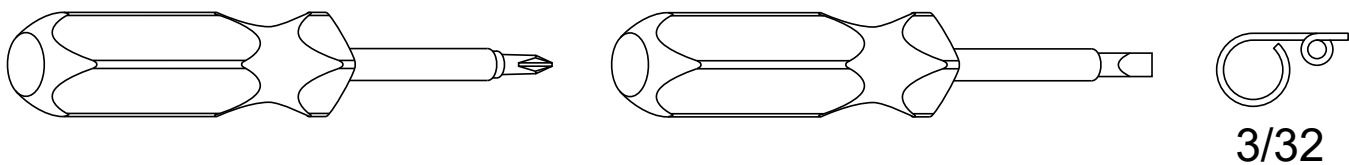
Installation Preparation

Door preparation:

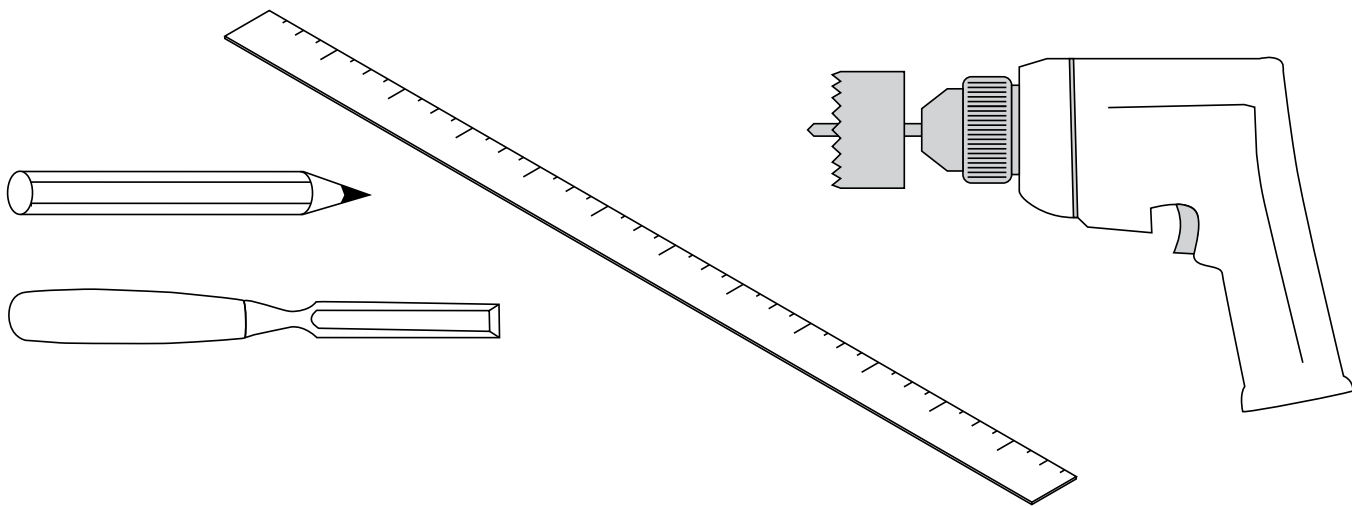
For door preparation use the template included in the package with the lock. For additional information, visit the website www.allegion.com/us.

Tools for Install

Required:



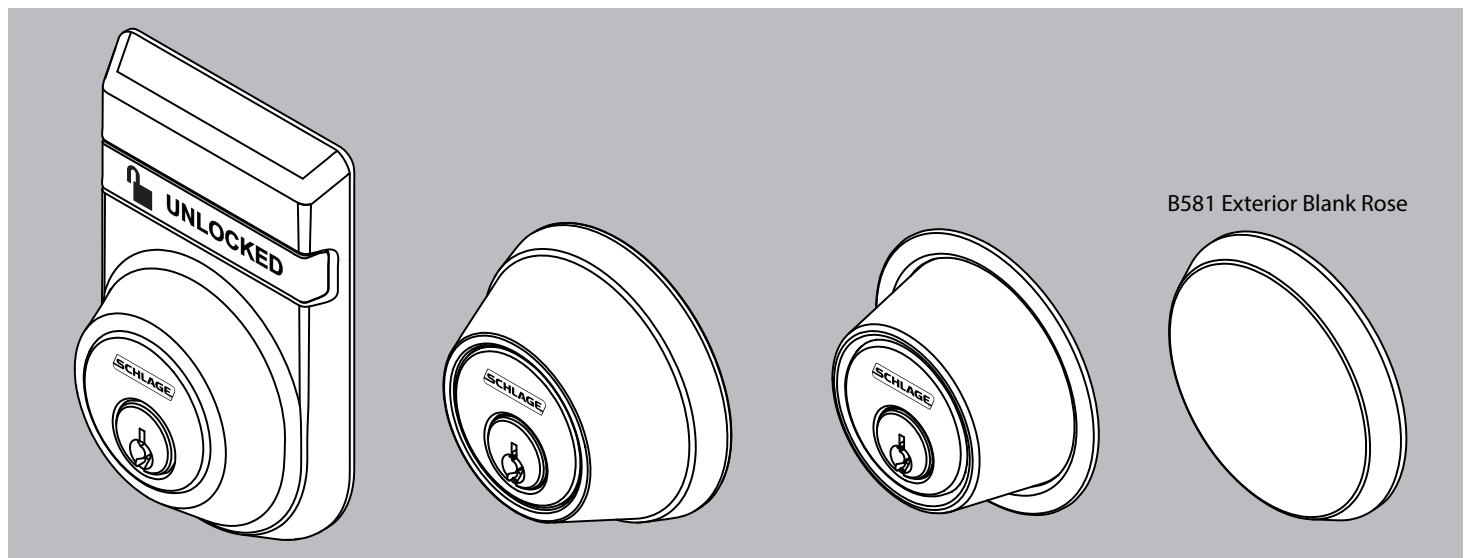
Optional:



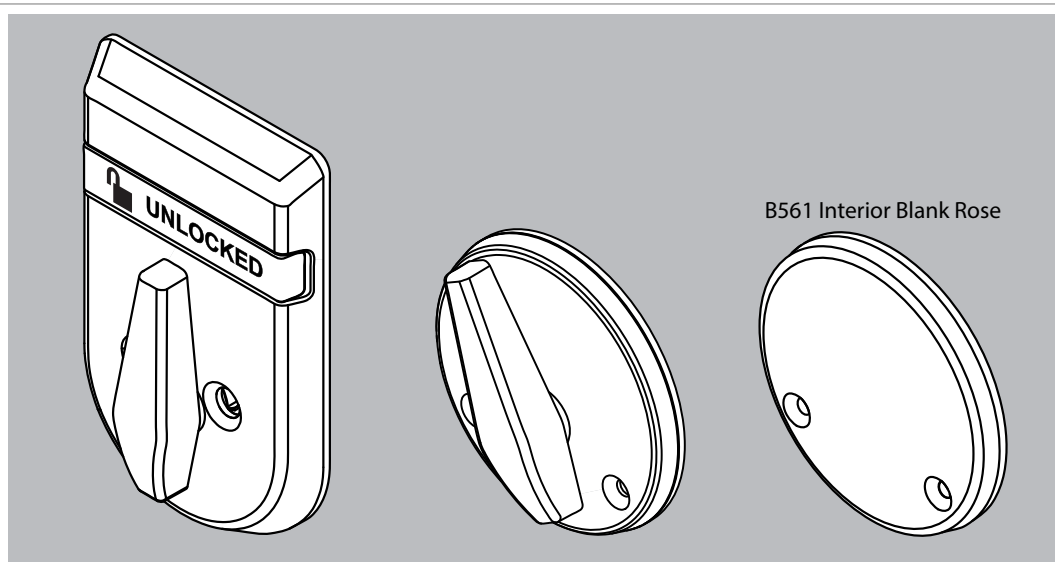
Installation Preparation

Indicator Options & Functions

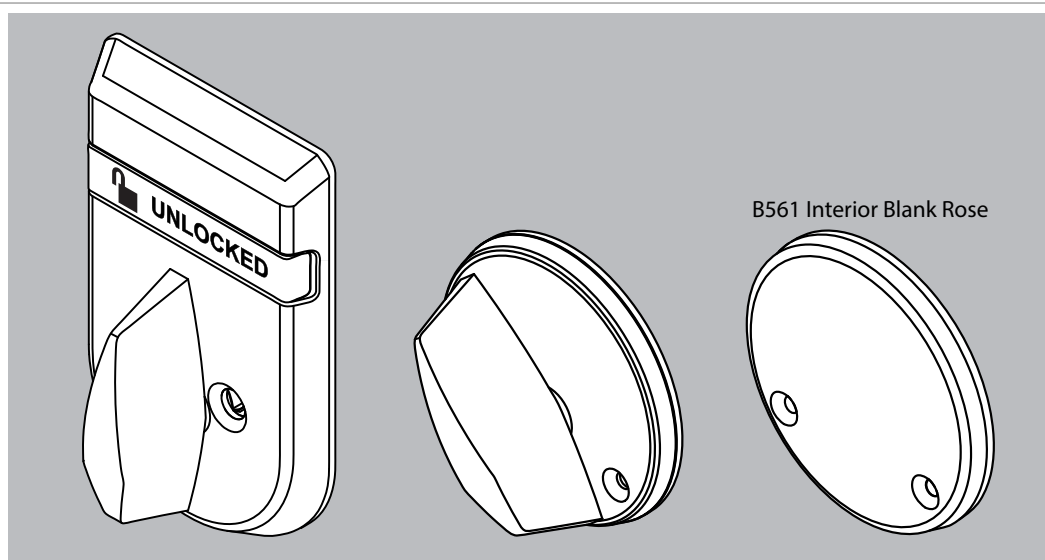
B5/600 Cylinder



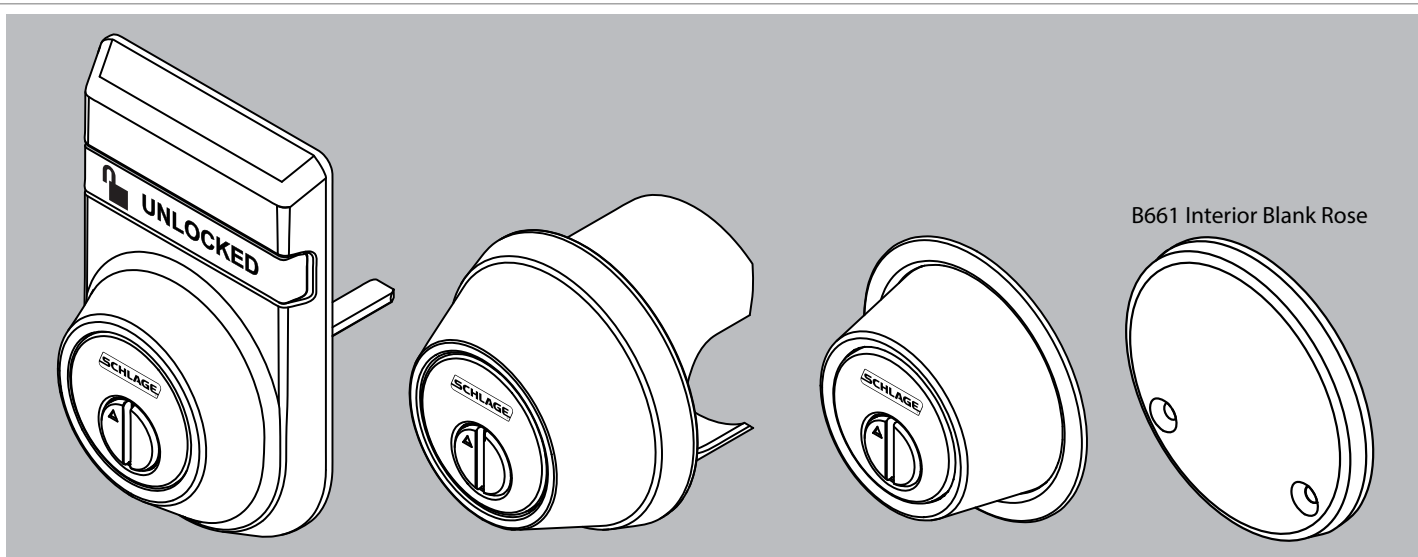
B500 Turn



B600 Turn



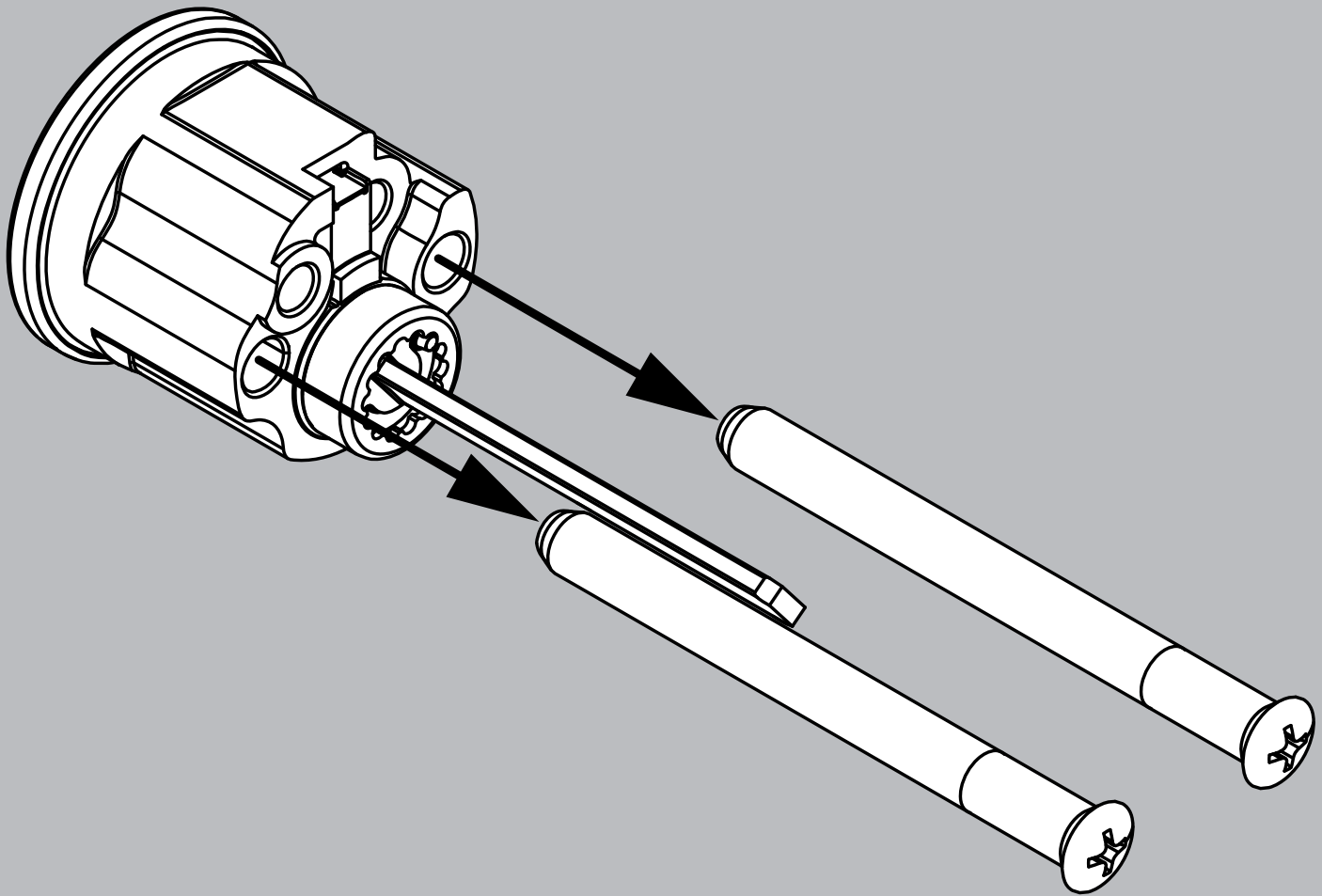
B572/672 Privacy, Outside



1 Anti Drill Balls

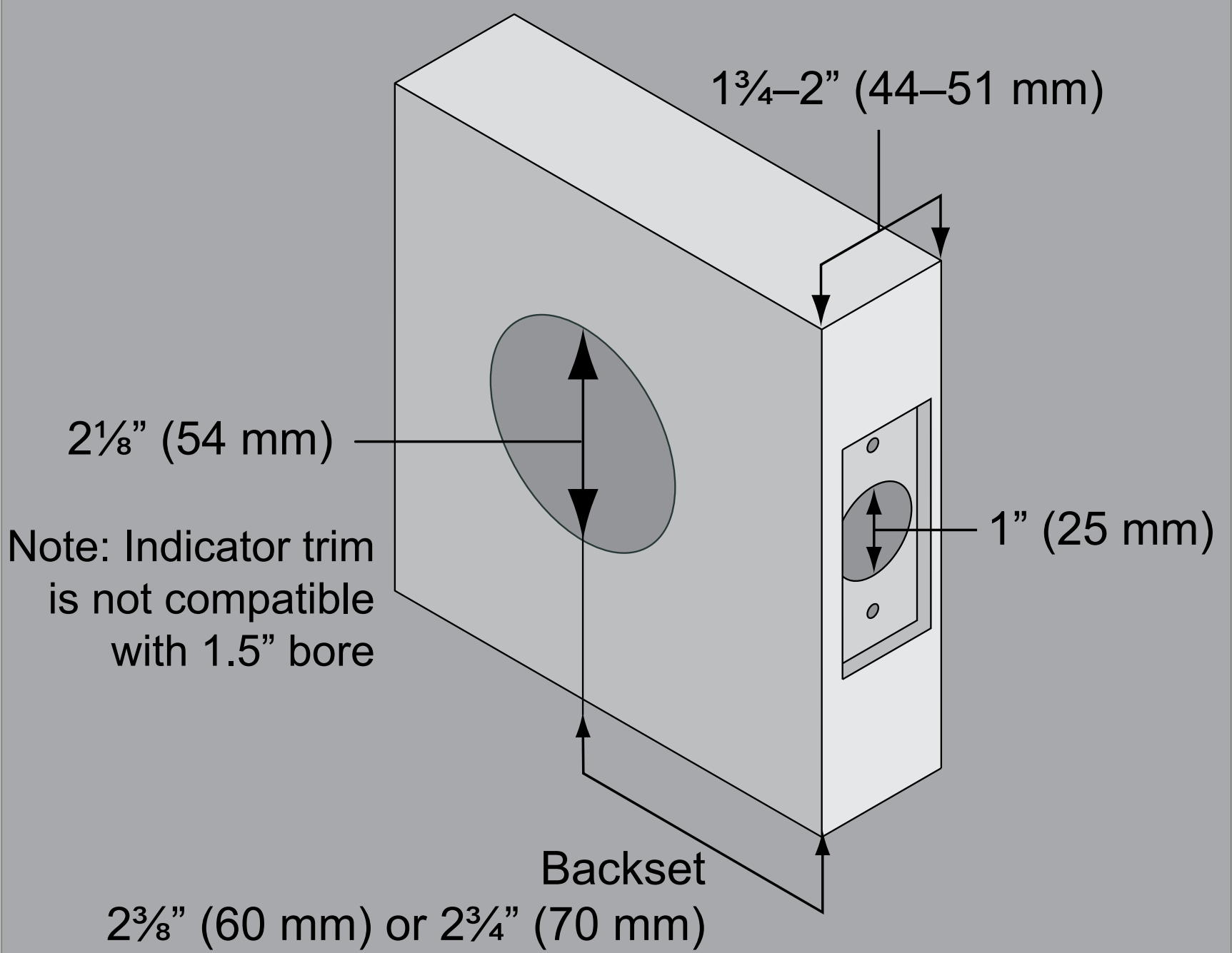
WARNING

⚠ For B6/7/800 products with indicator:
Anti drill balls are pre-installed within cylinder housing. Carefully remove screws from cylinder housing prior to lock install.
Ensure anti drill balls remain within pockets after screw removal.

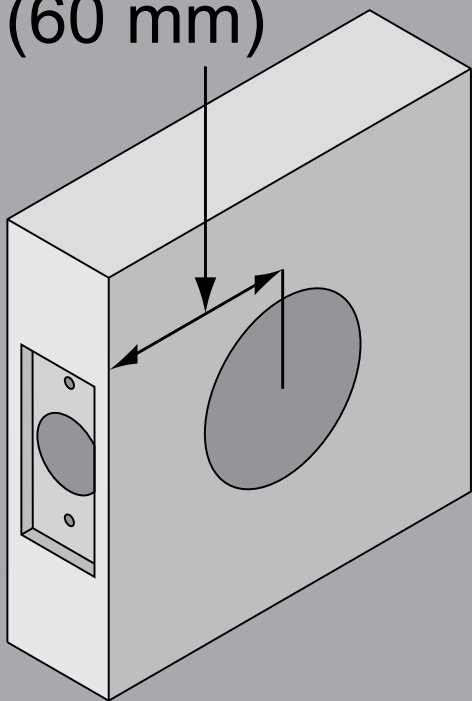


2 Prep Door (1 of 2)

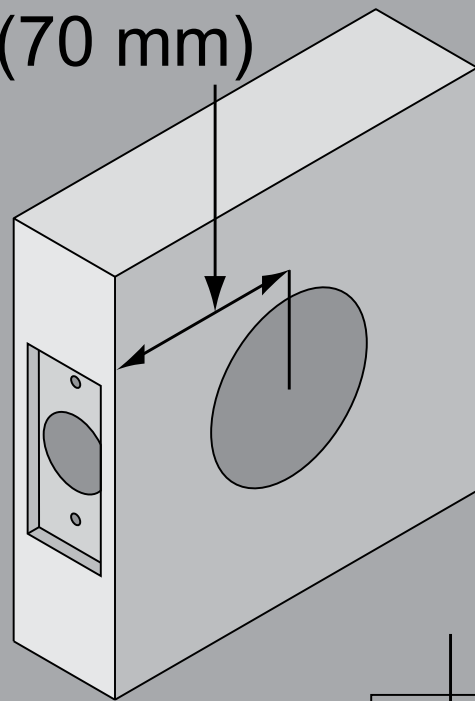
ⓘ **Note: Doors that are over 1³/₄" (44.5mm) will require a spacer for the indicator.**



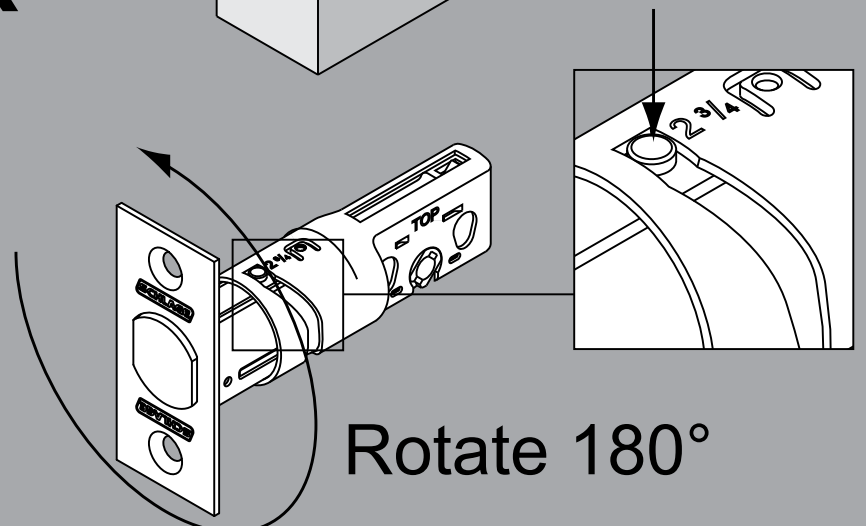
2³/₈" (60 mm)



2³/₄" (70 mm)



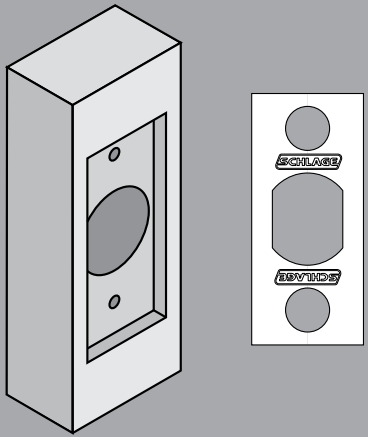
OR



2 Prep Door (2 of 2)

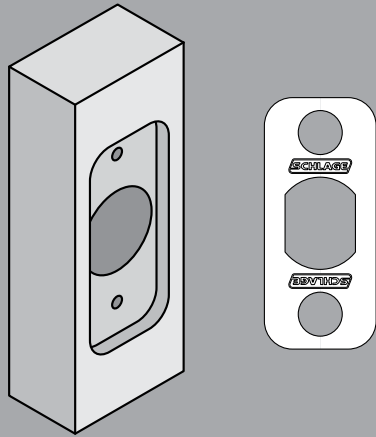
Choose faceplate to match door.

Standard



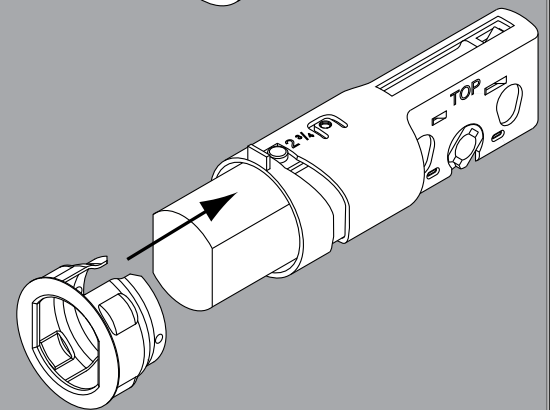
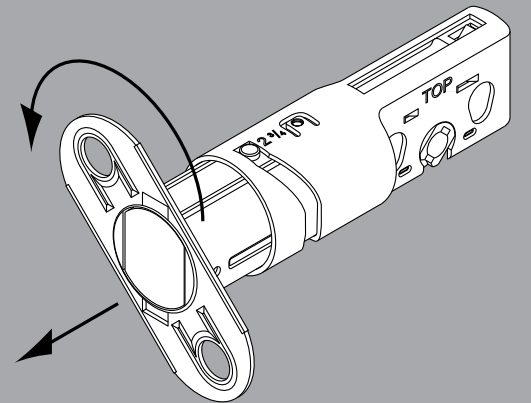
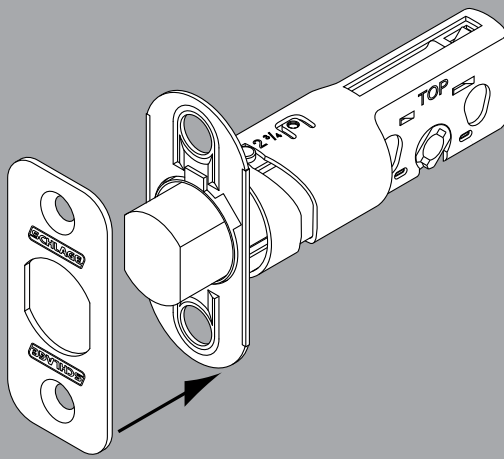
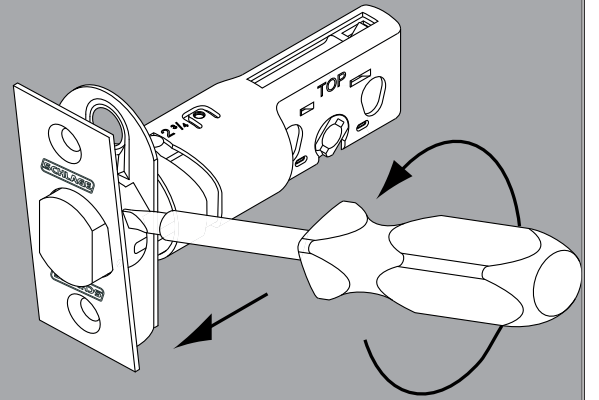
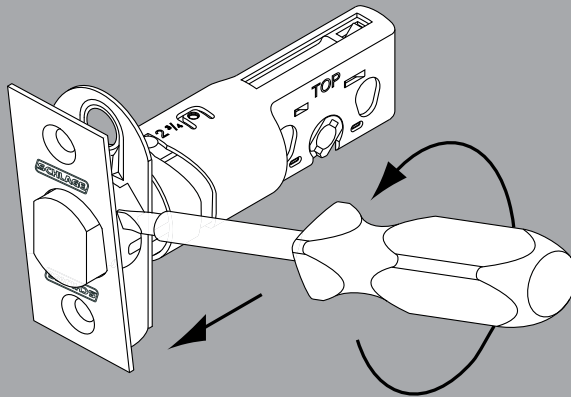
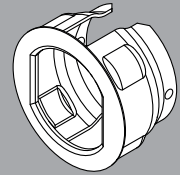
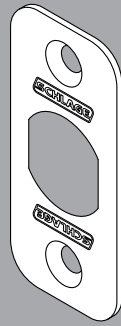
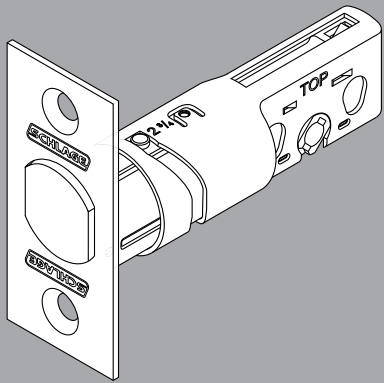
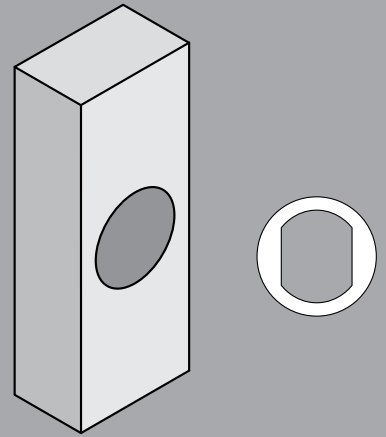
OR

Optional Purchase



OR

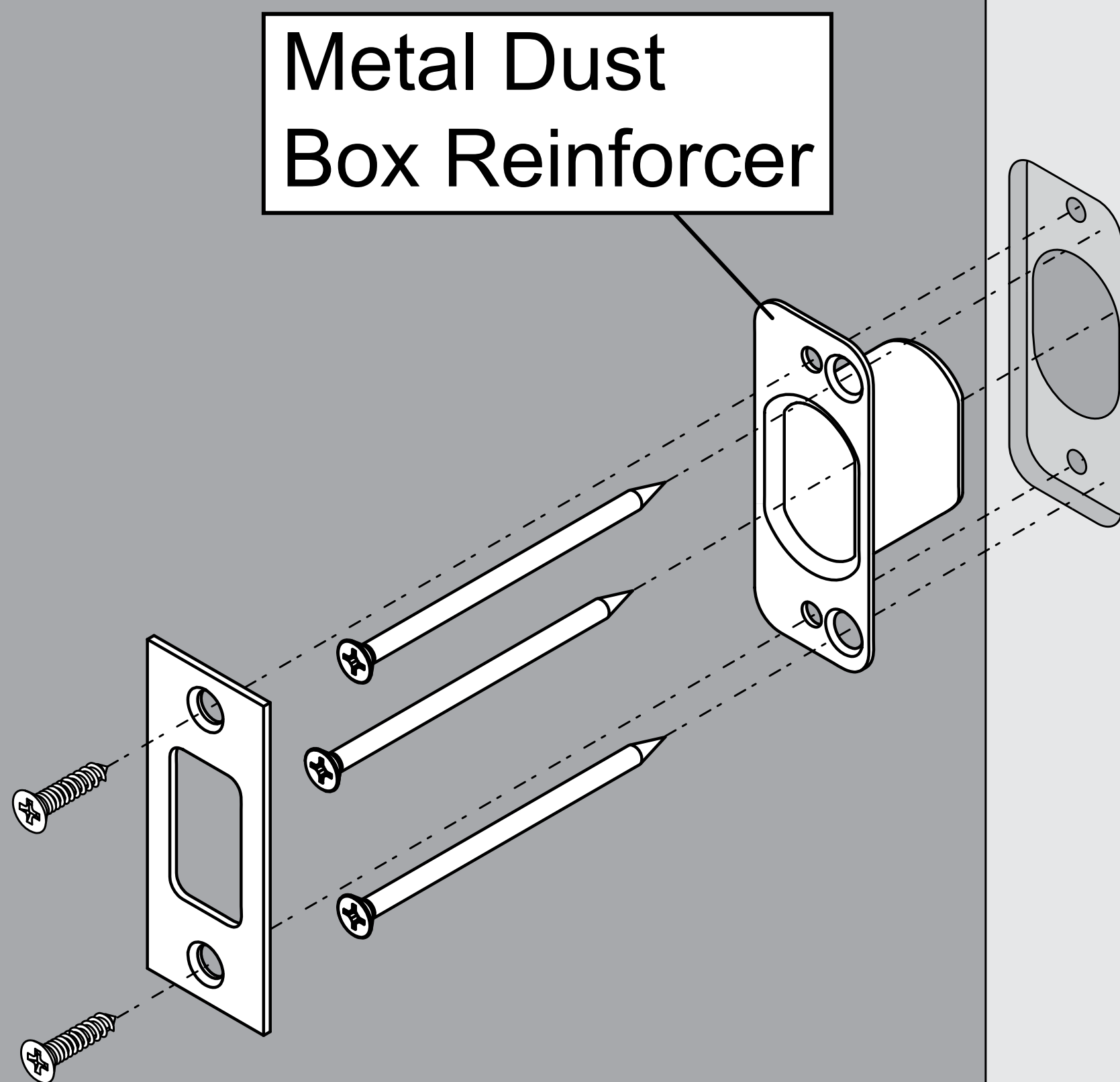
Optional Purchase



3 Install strike plate

ⓘ Note: This full installation is intended to be completed with the door remaining open.

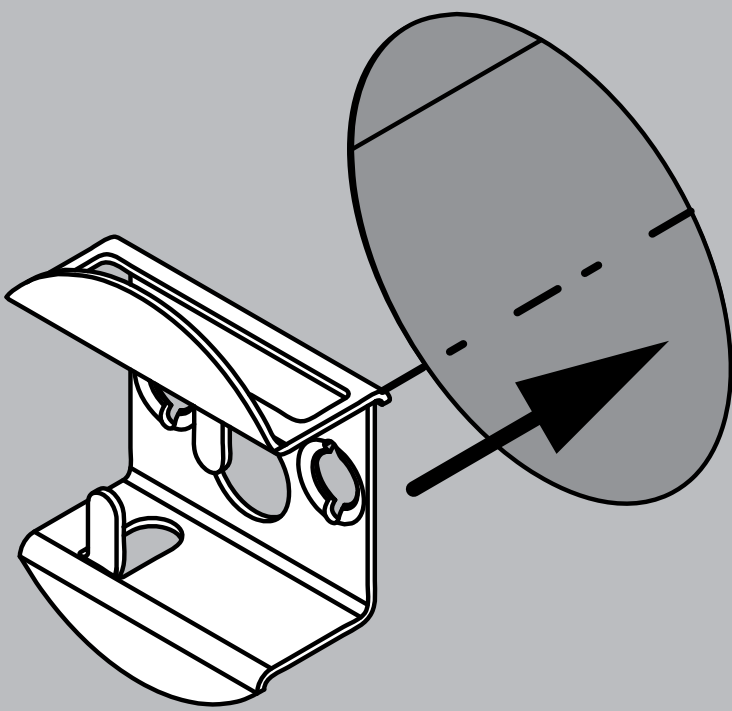
Tighten the three (3) 3" screws into the metal dust box reinforcer and the door frame. Then install strike with two (2) screws.



4 Install fire cup

① **Note: FOR FIRE RATED FUNCTIONS ONLY**

Make sure the fire cup is in place before inserting the deadbolt latch.

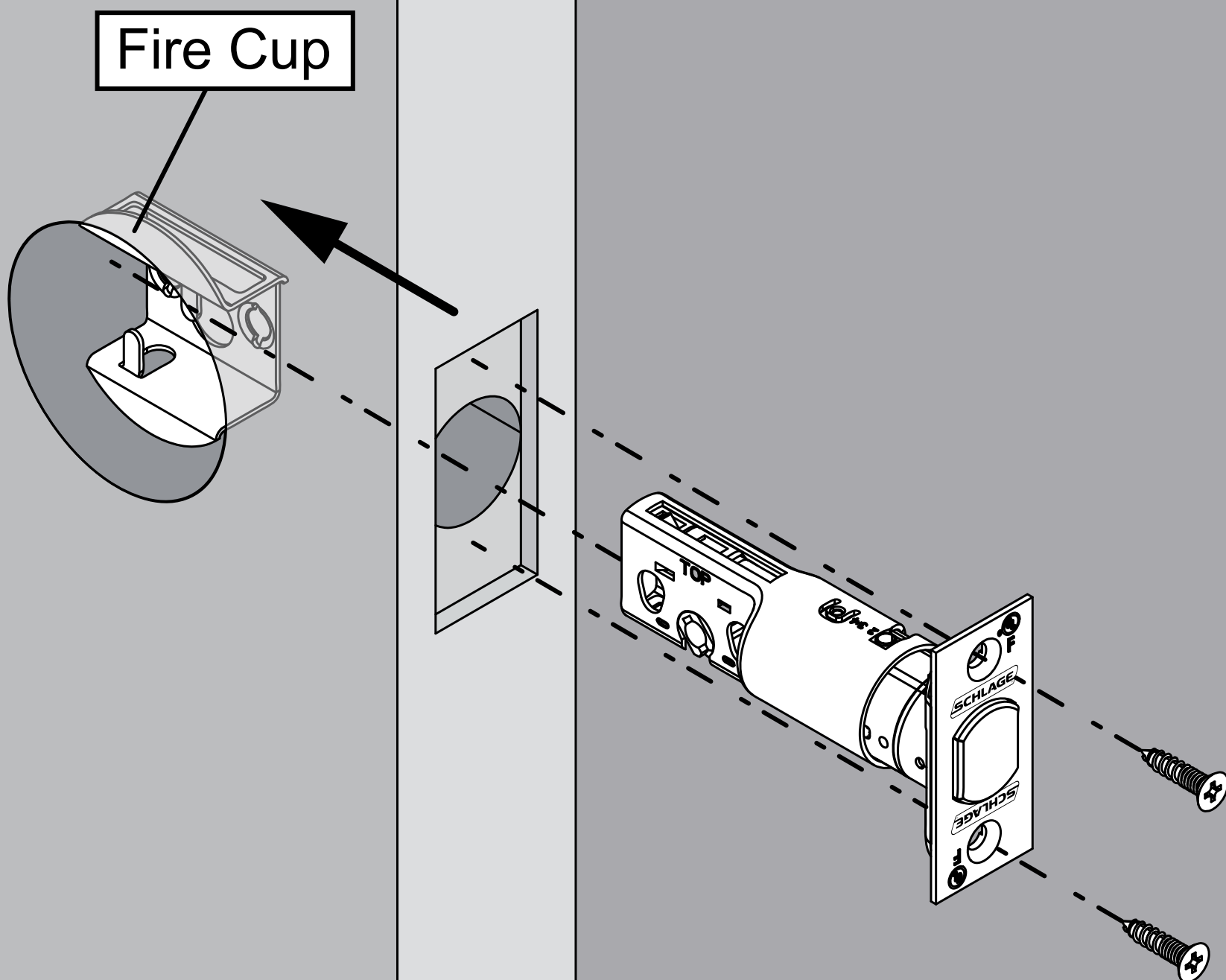
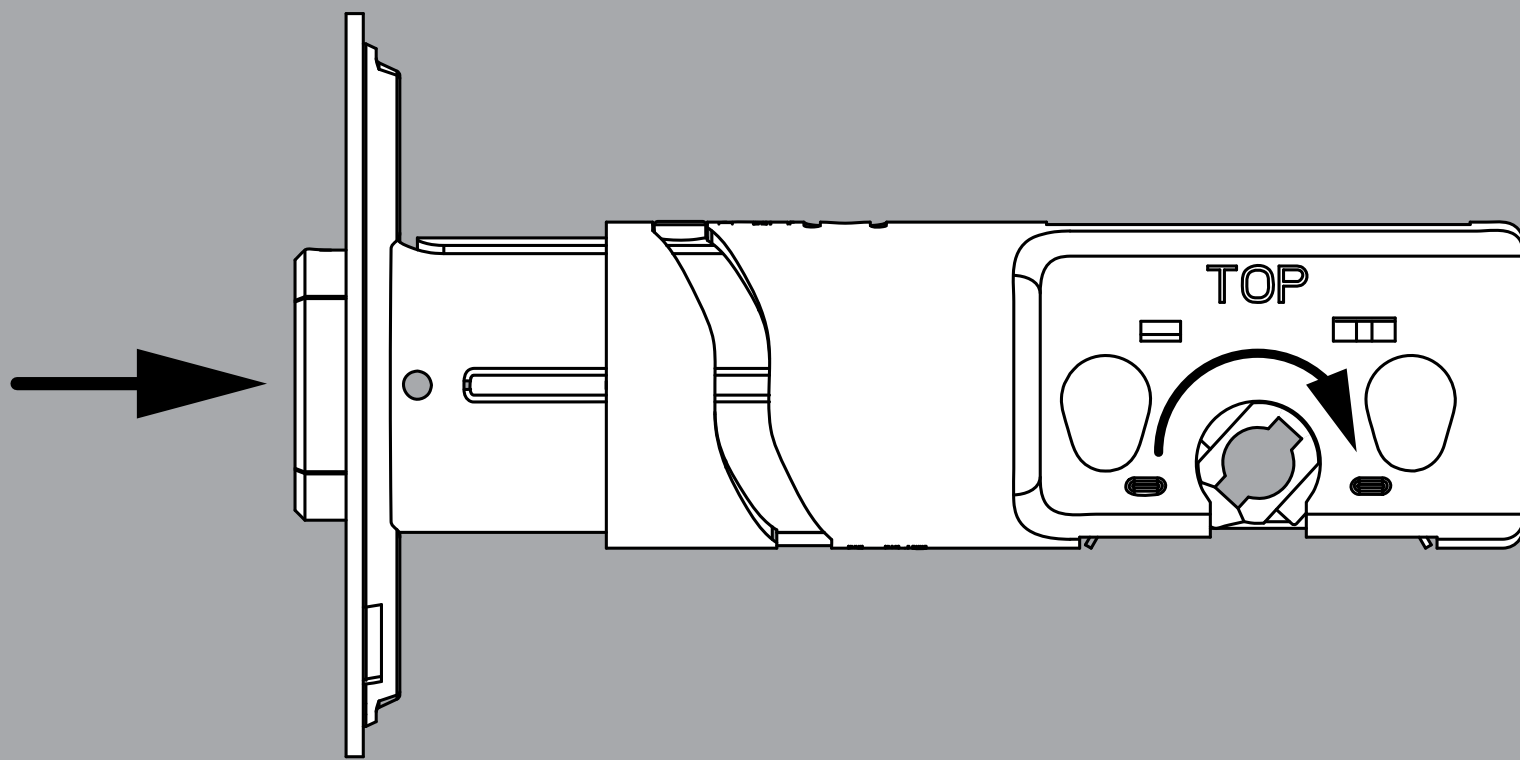


Engraved side **MUST** face towards interior trim

5 Install deadbolt latch

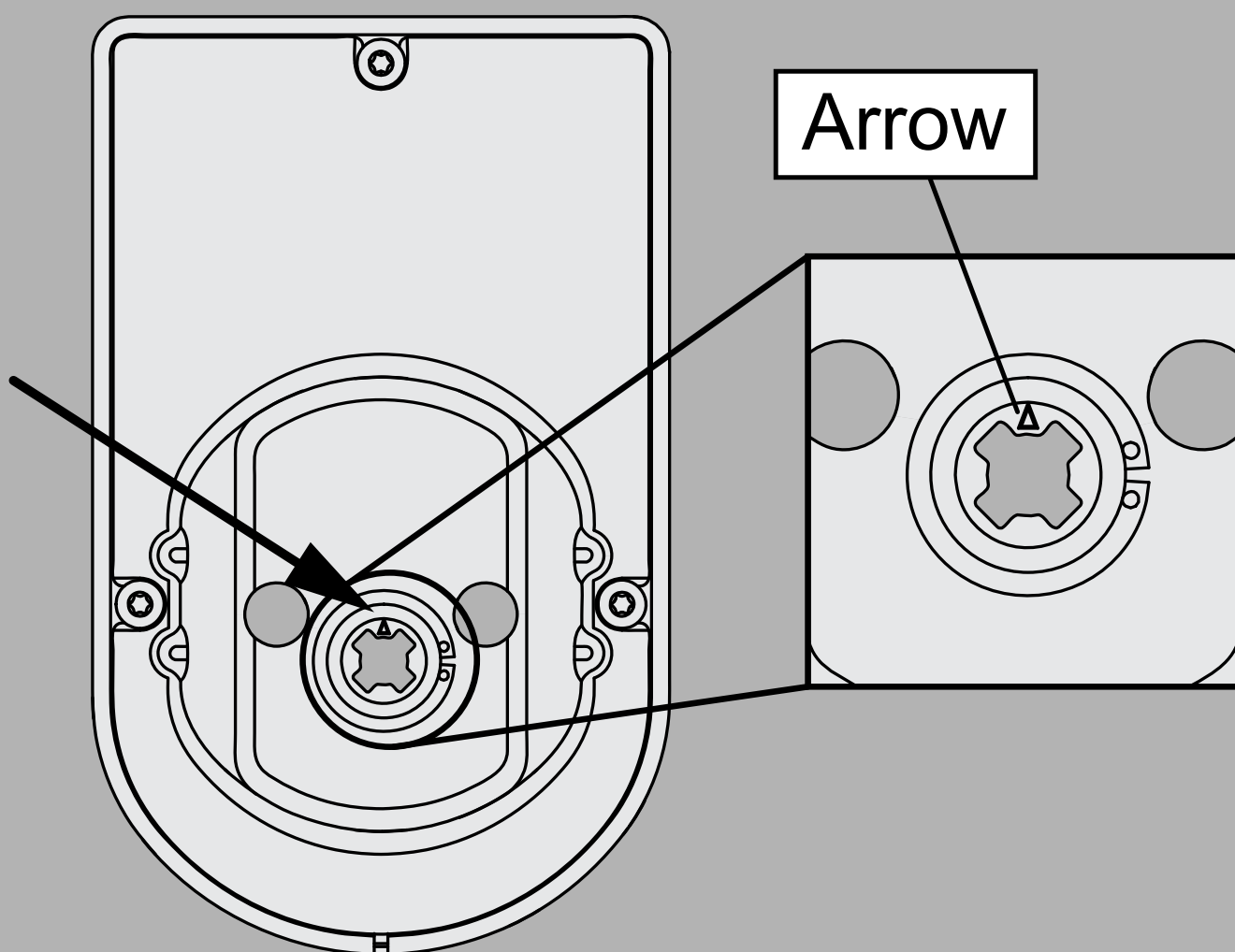
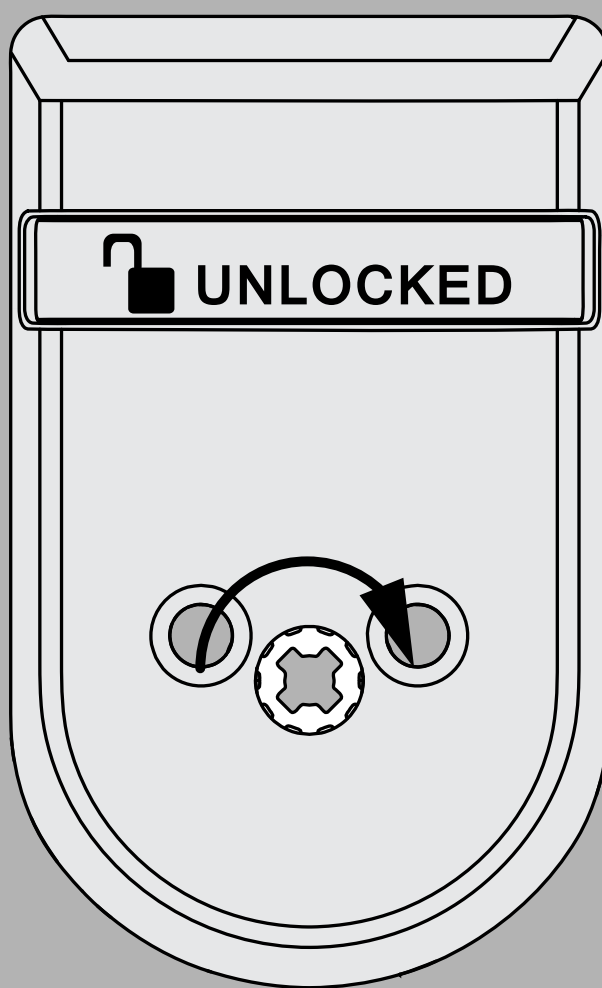
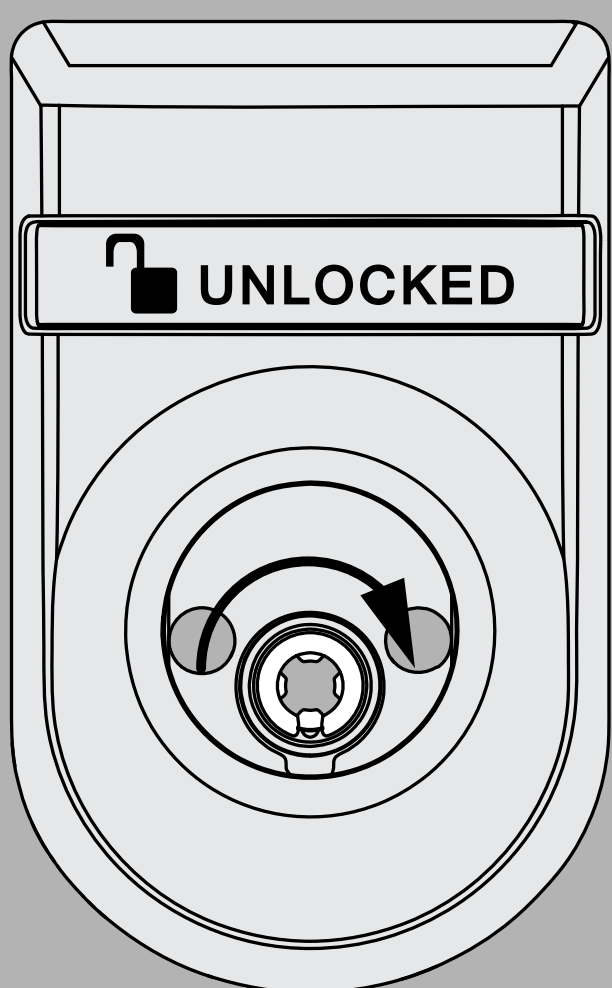
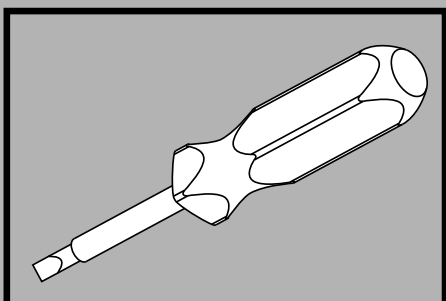
Ensure deadbolt is in unlocked position (bolt retracted). Insert deadbolt into fire cup slide. Tighten the two (2) screws.

ⓘ Note: Fire cup is only present in fire rated functions.



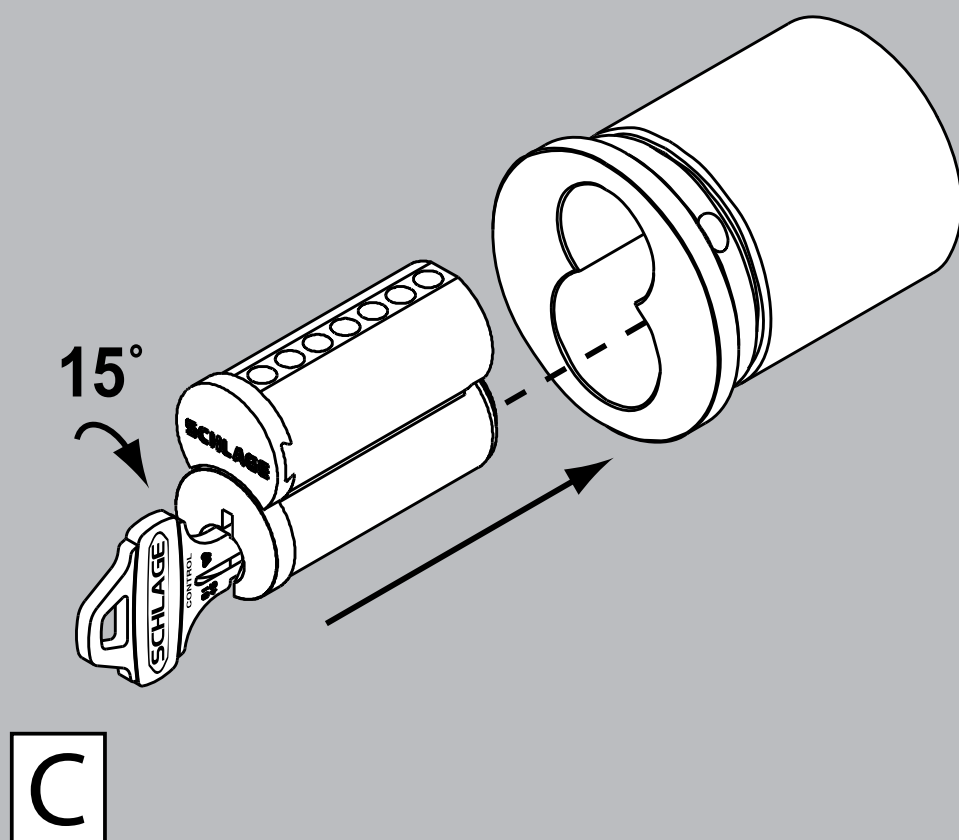
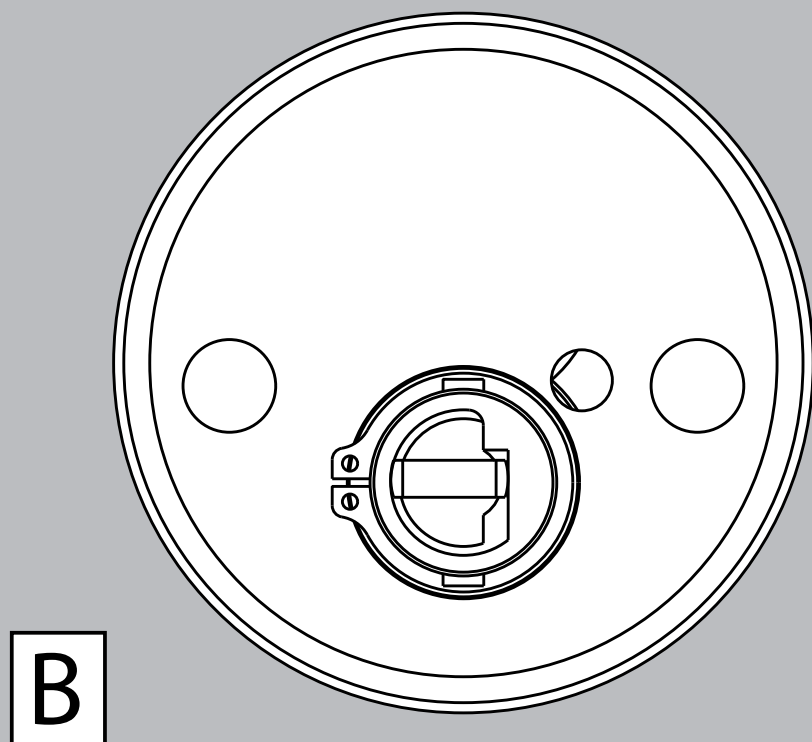
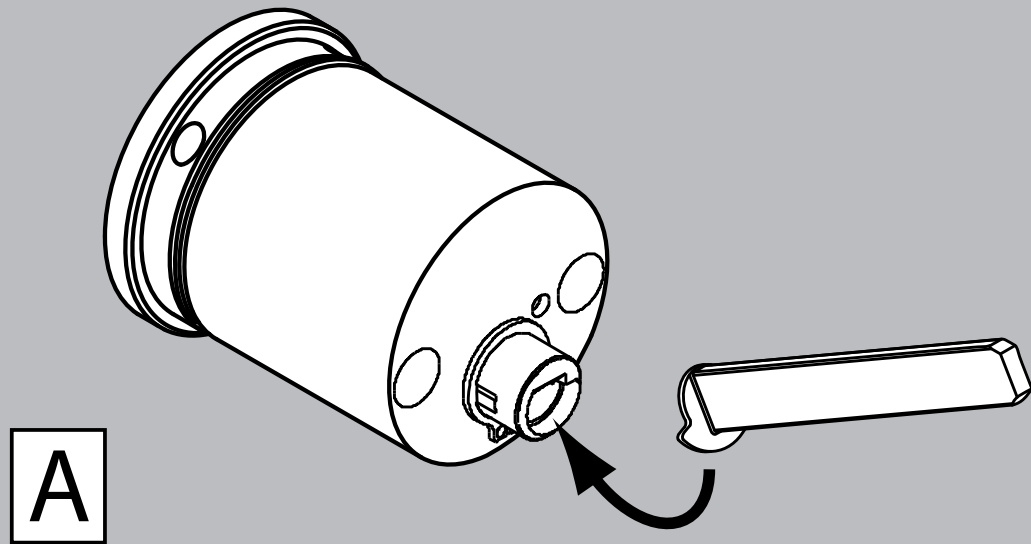
6 Adjust Cam

For indicator options: Ensure both sides of trim are in unlocked/vacant state using a flat head screwdriver to manipulate cam. Flip around both versions and make sure that the arrow is pointing up on the cam.



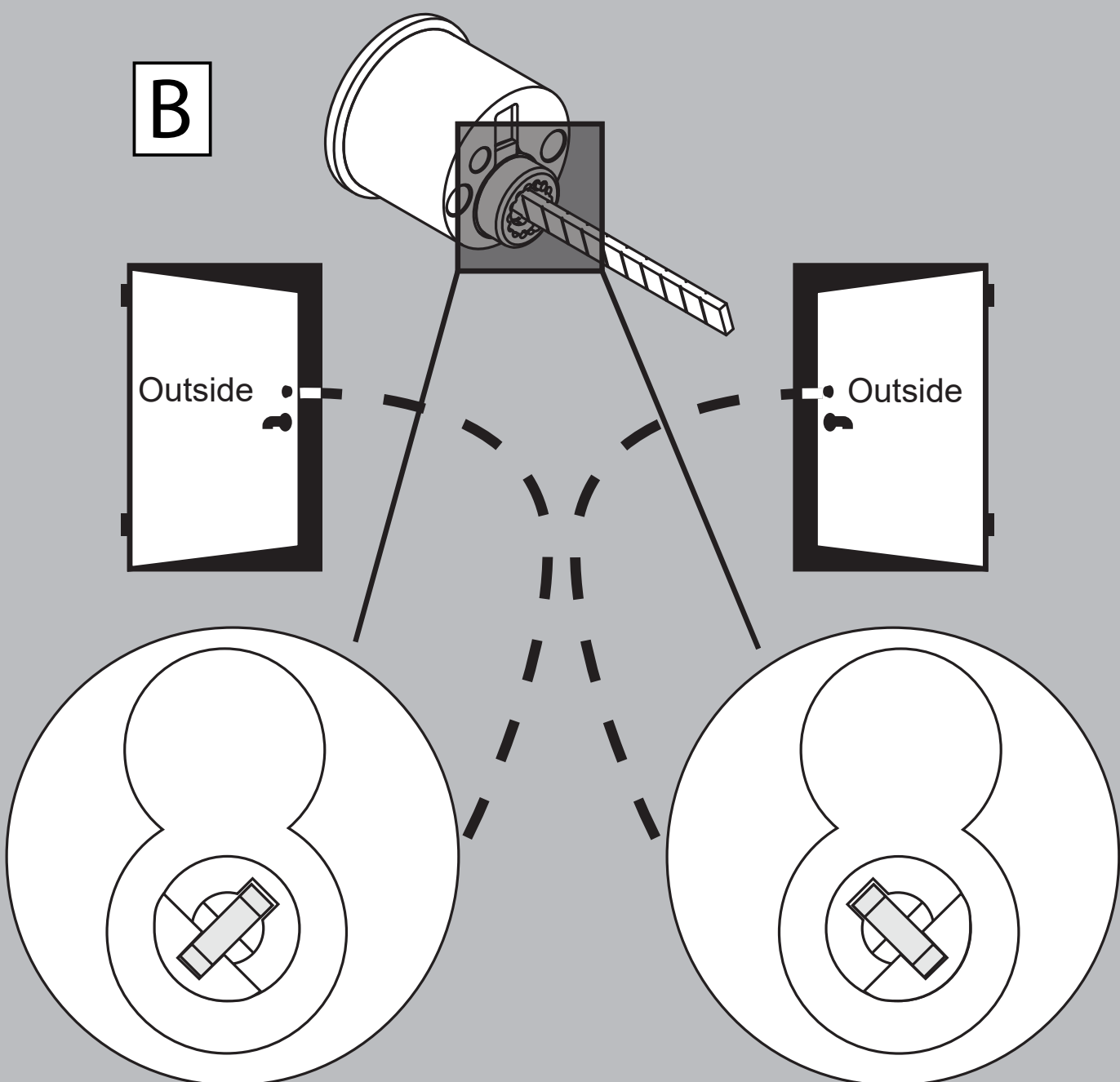
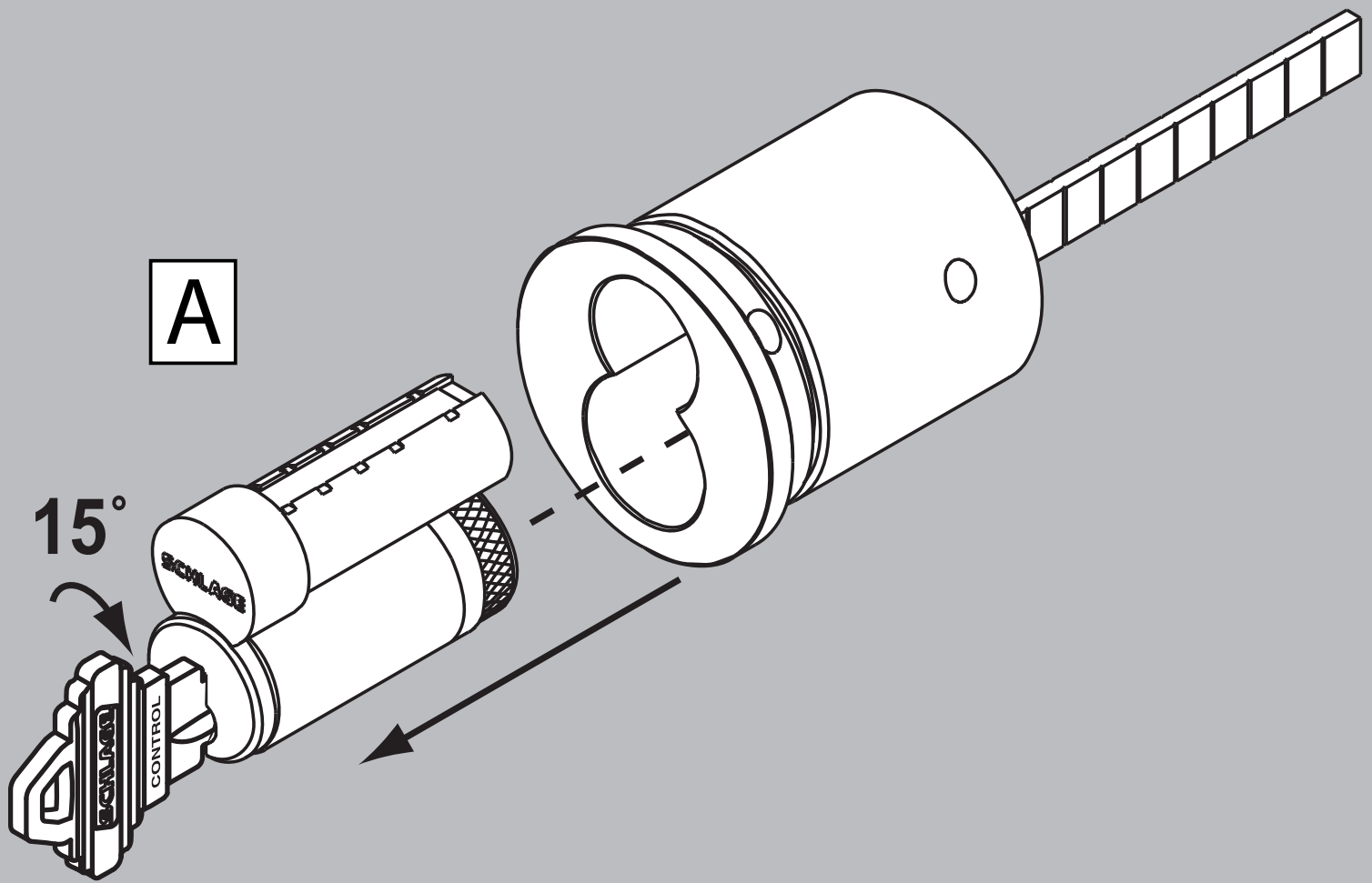
7 Assemble Cylinder(s) (1 of 2)

For SFIC Cylinders: Install drive bar and cylinder plug.



7 Assemble Cylinder(s) (2 of 2)

For FSIC Cylinders: Install cylinder plug, and align drive bar.

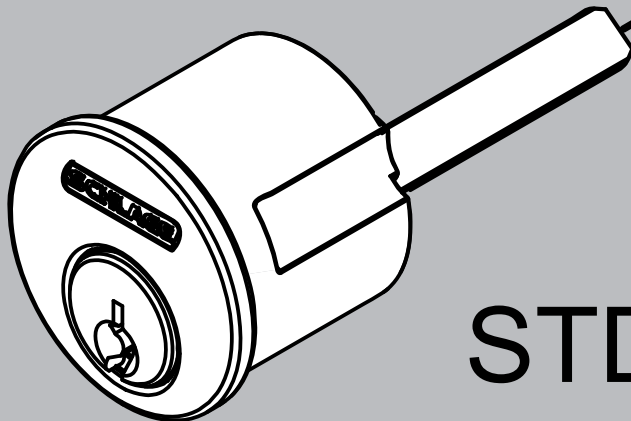
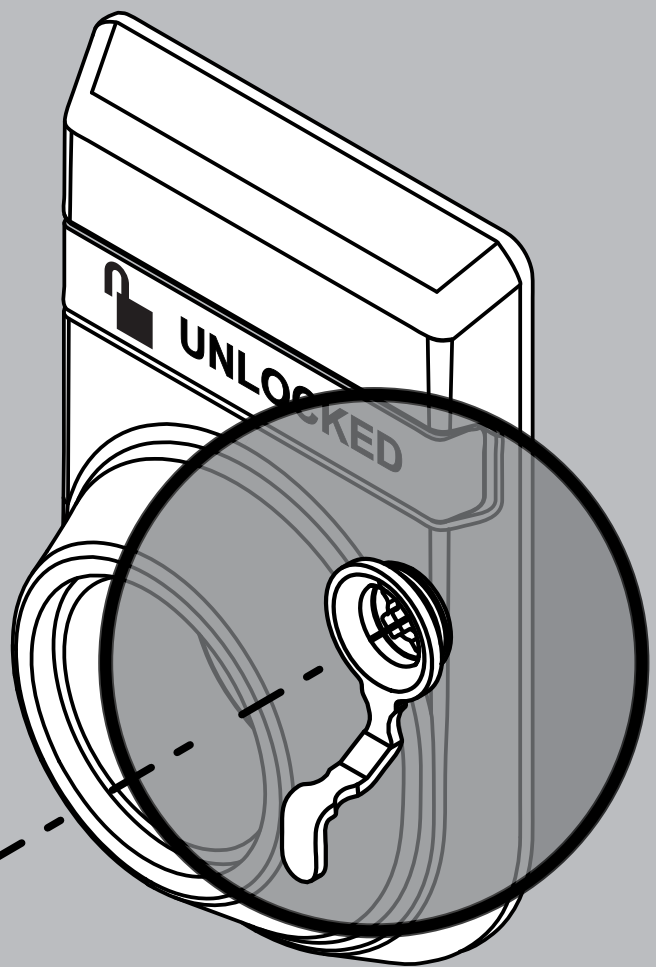
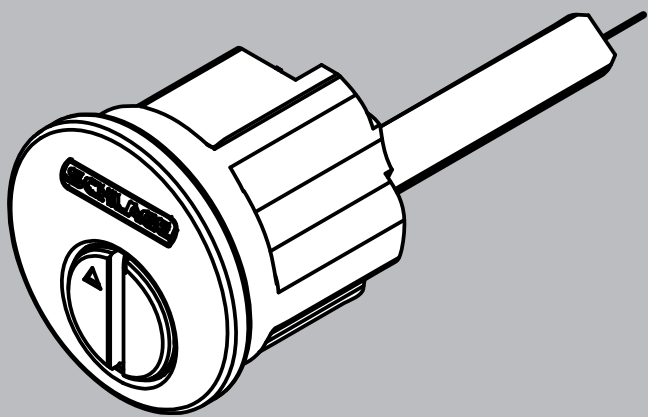


8 Install Cylinder(s) (1 of 2)

A. For Indicator cylinder options: Insert cylinder into indicator escutcheon housing. If there are indicator cylinders for both sides of door, install both cylinders into housings in prep for full door install.

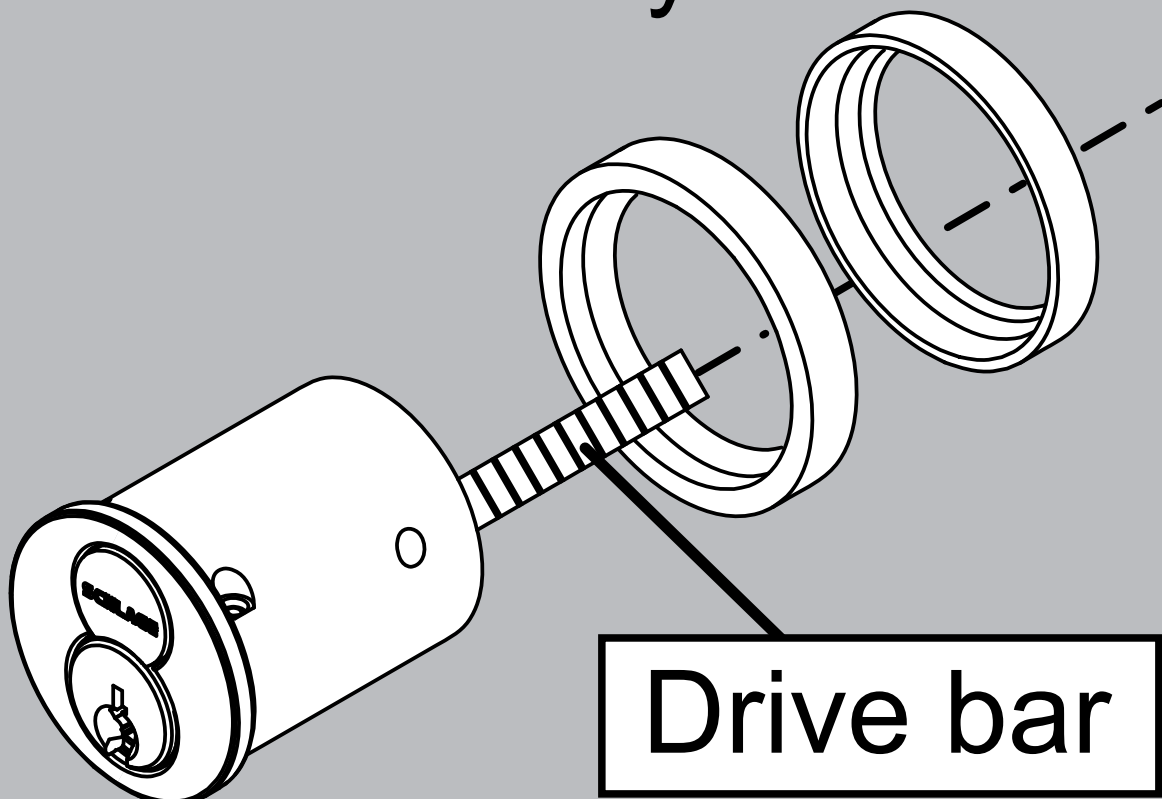
ⓘ Note: The drive bar will be shorter if you have cylinder for both sides of the door.

Privacy cylinder



STD Cylinder

SFIC & FSIC Cylinders



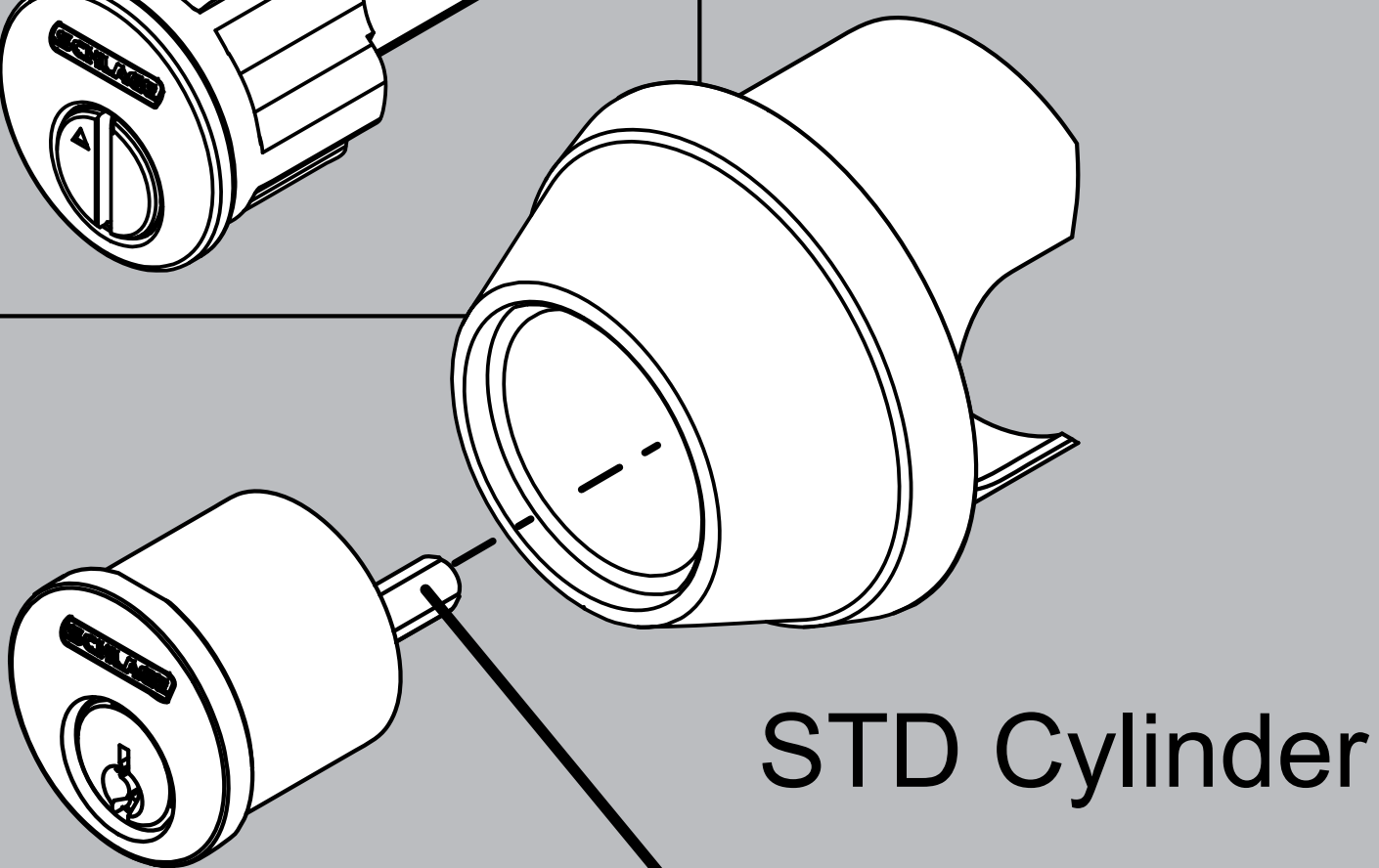
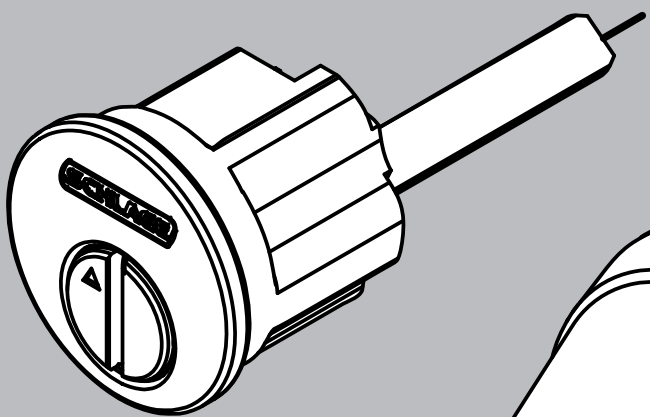
Drive bar

8 Install Cylinder(s) (2 of 2)

B. For regular cylinder options: Insert cylinder into spin ring housing. Standard B500 exterior cylinders come fully assembled.

ⓘ Note: The drive bar will be shorter if you have cylinder for both sides of the door.

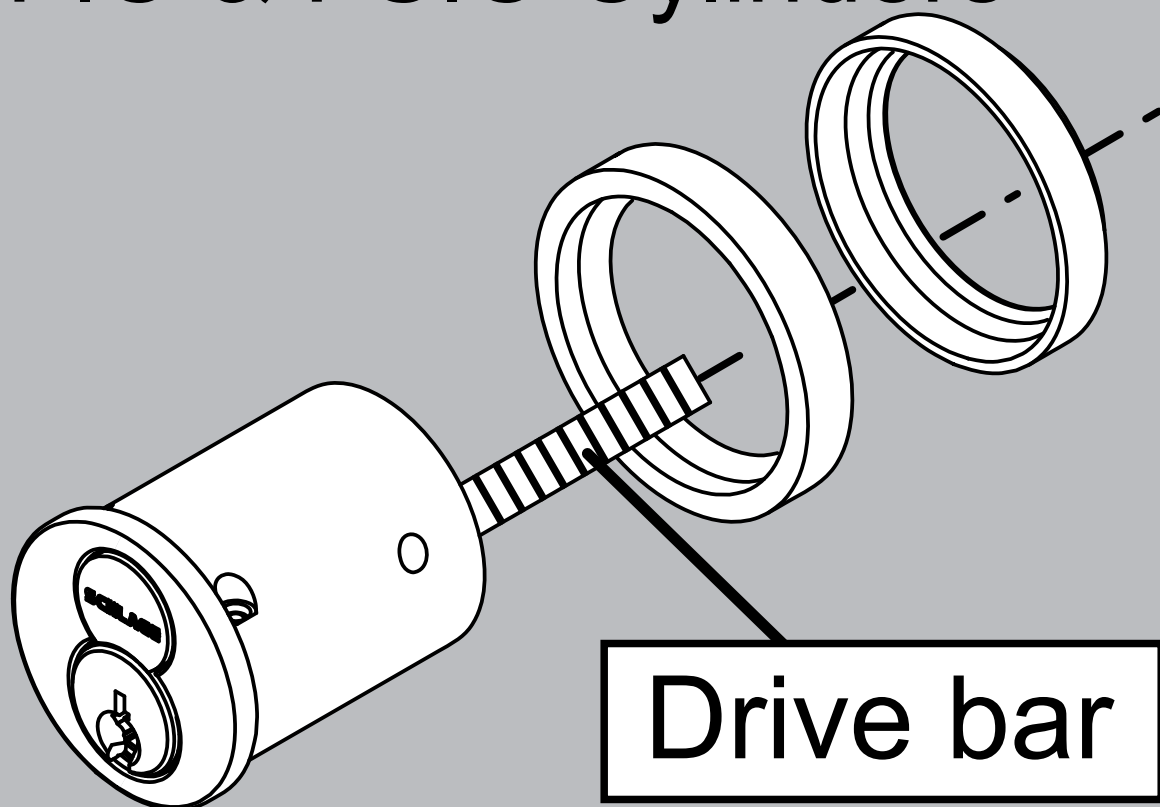
Privacy cylinder



STD Cylinder

Drive bar

SFIC & FSIC Cylinders

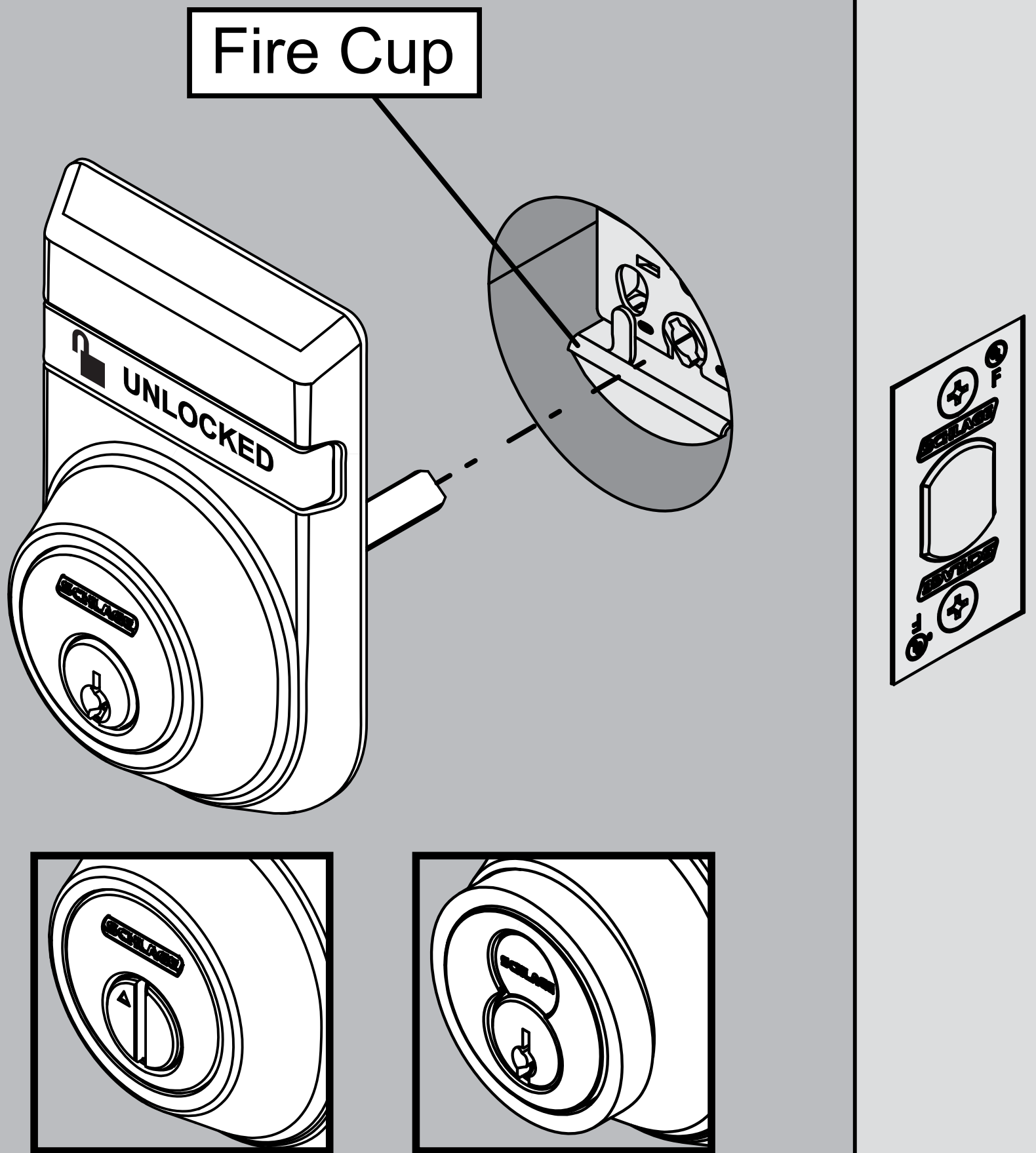


Drive bar

9 Install outside trim (1 of 2)

A. **For indicator options:** Position and align indicator tailpiece and cylinder driver bar to latch cam slot.

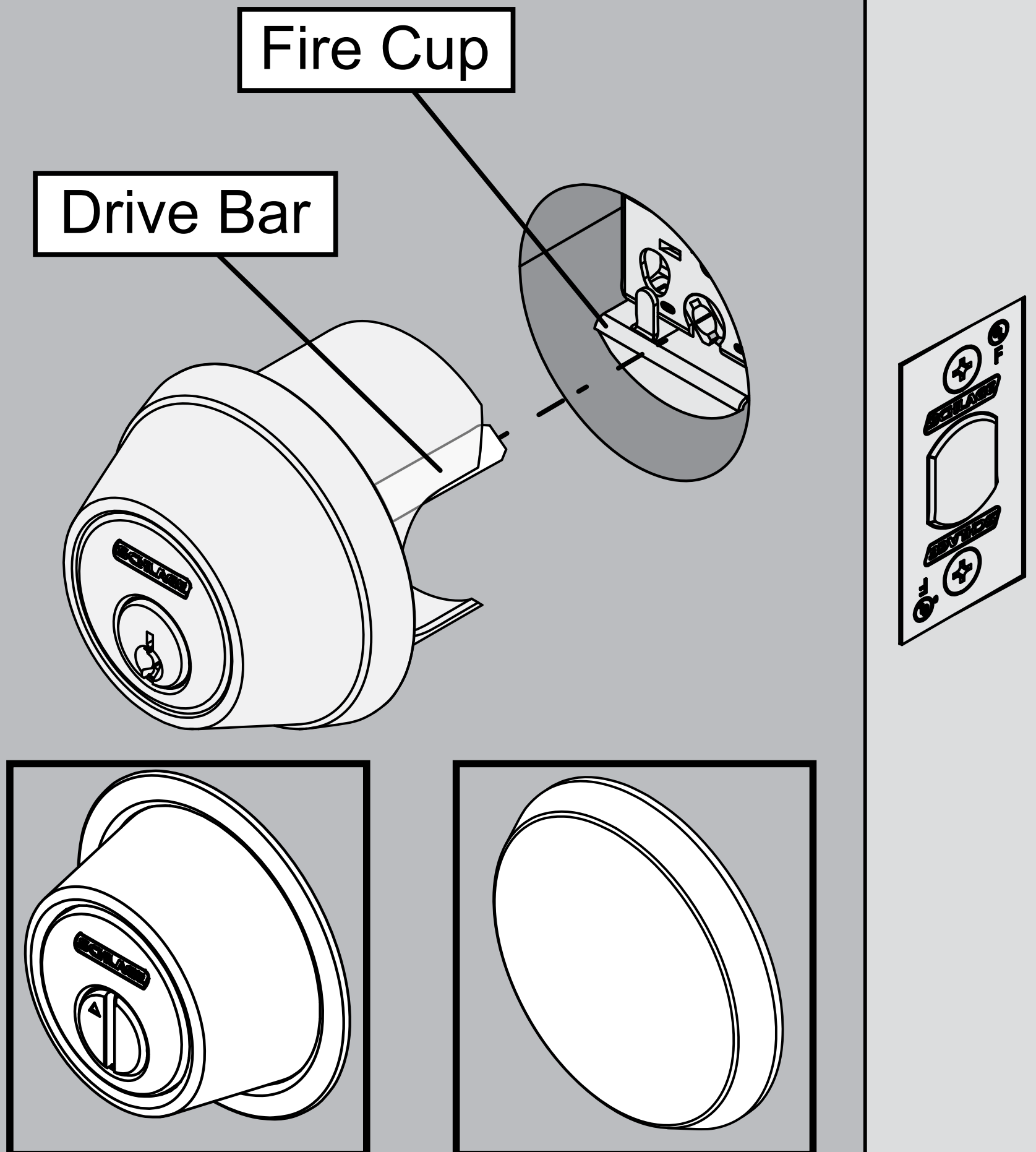
ⓘ Note: Fire cup is only present in fire rated functions.



9 Install outside trim (2 of 2)

B. For regular cylinder options: Position and align indicator cam and cylinder drive bar to latch cam slot.

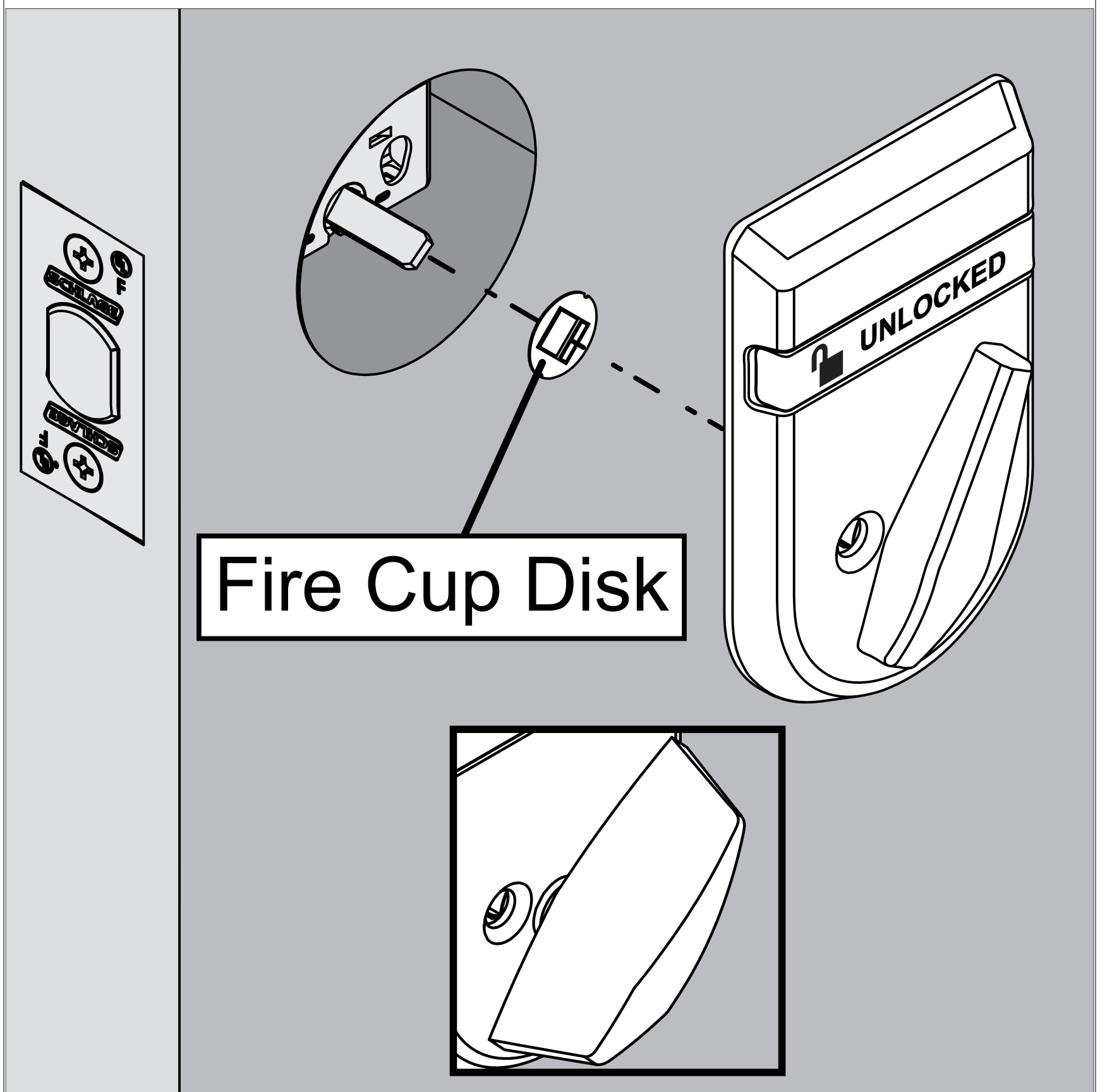
ⓘ Note: Ensure Privacy plug is in position prior to install. Rotate with screwdriver if needed.



10 Install inside trim (1 of 4)

A. For indicator options: Make sure to point thumb turn away from door edge when installing. For inside indicator cylinders, install the same as outside trim cylinder.

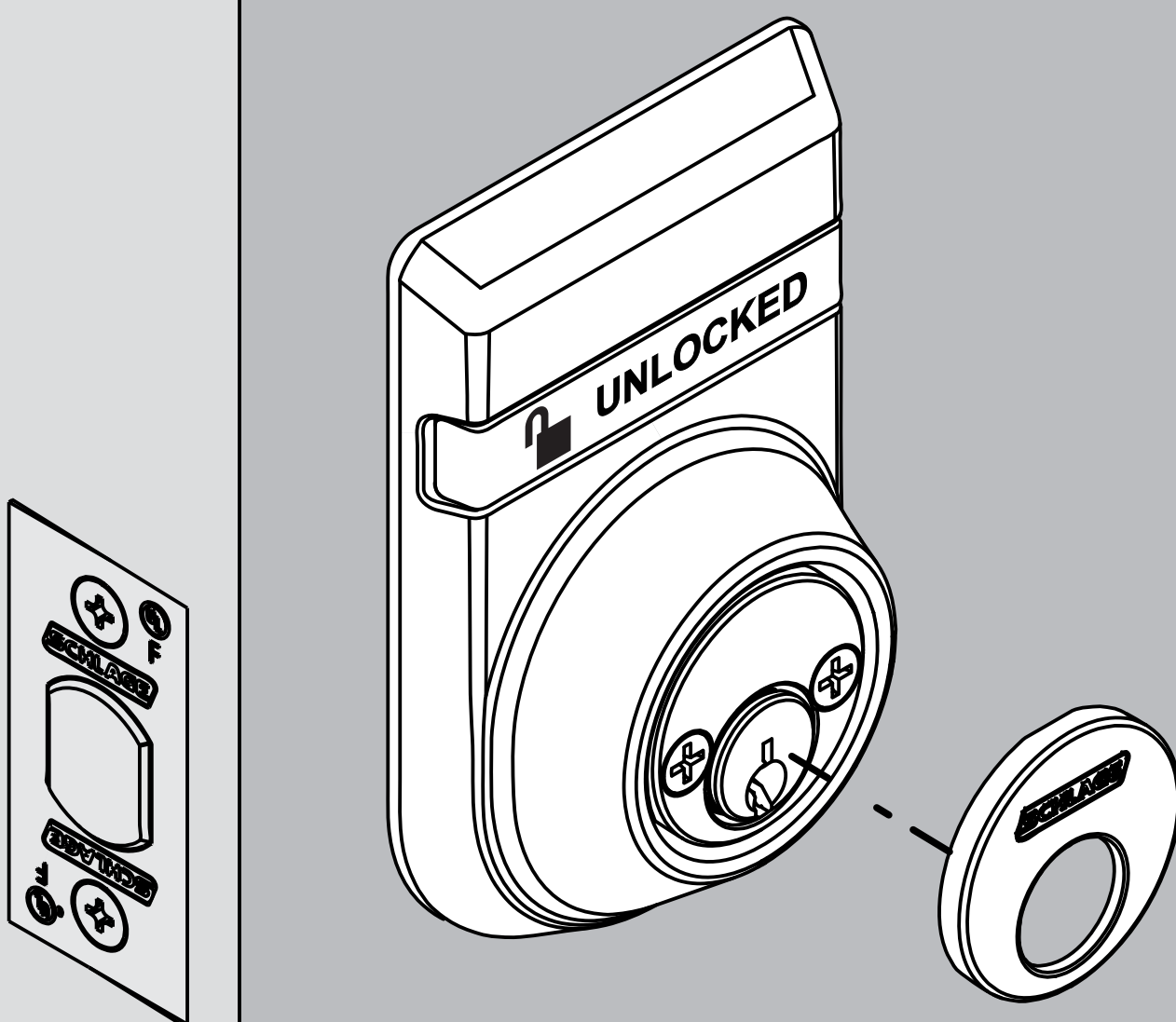
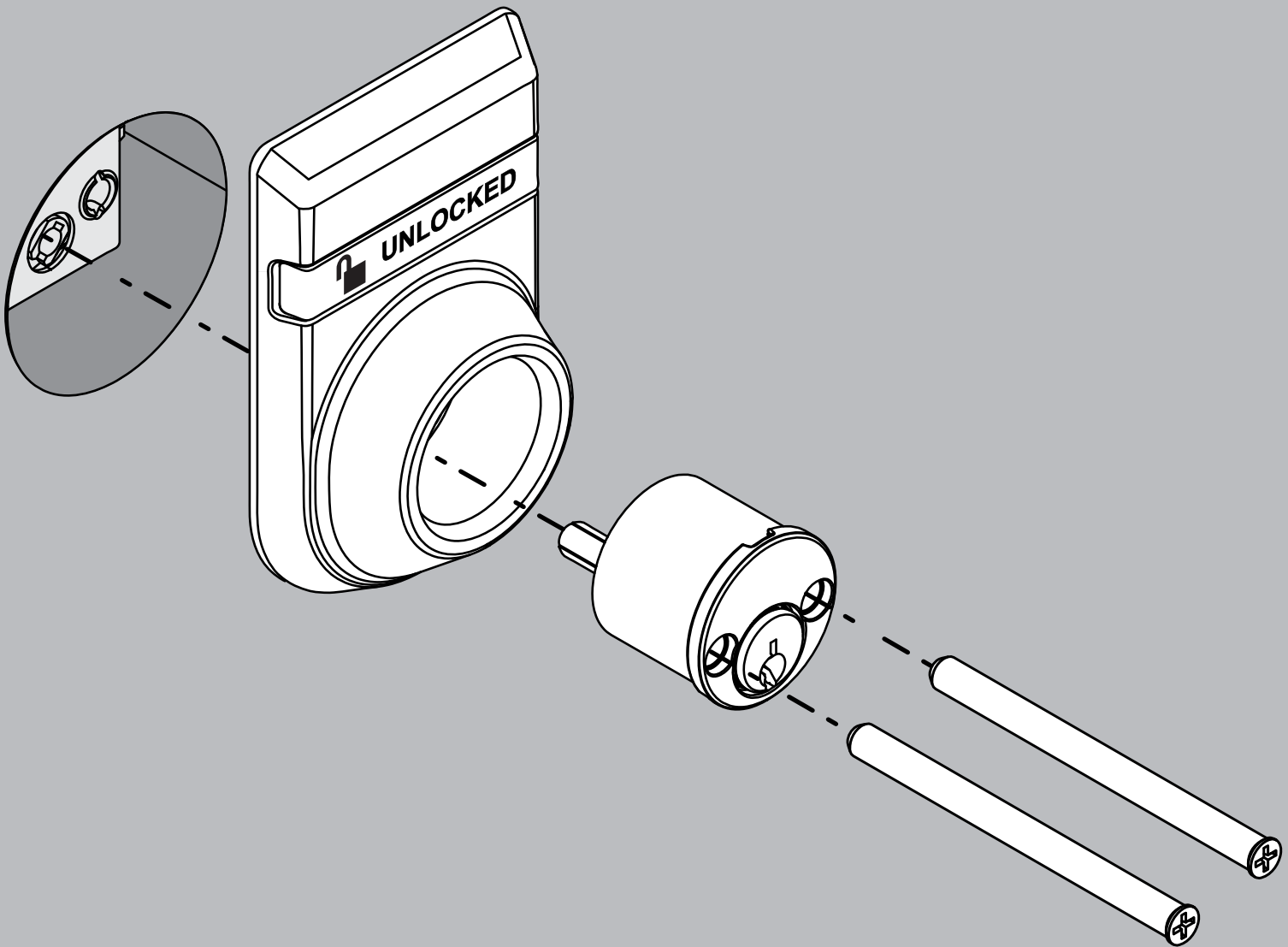
ⓘ Note: For fire rated products only, ensure fire cup disk is pushed onto the drive bar prior to installing inside trim.



10 Install inside trim (2 of 4)

A. (cont.) **For indicator options:** For inside indicator cylinders, install as shown below. Once assembled, press on the cylinder cover to the cylinder head.

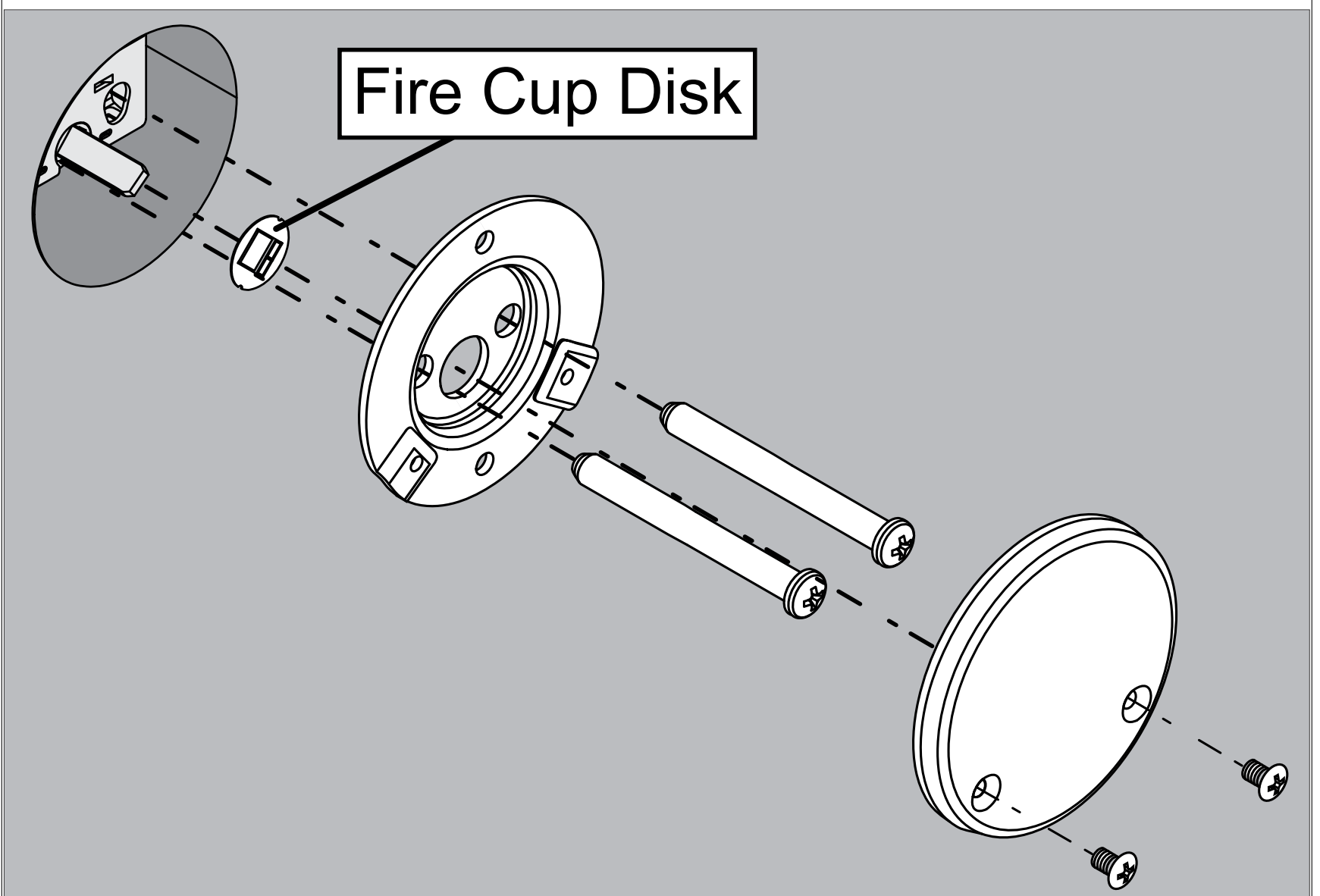
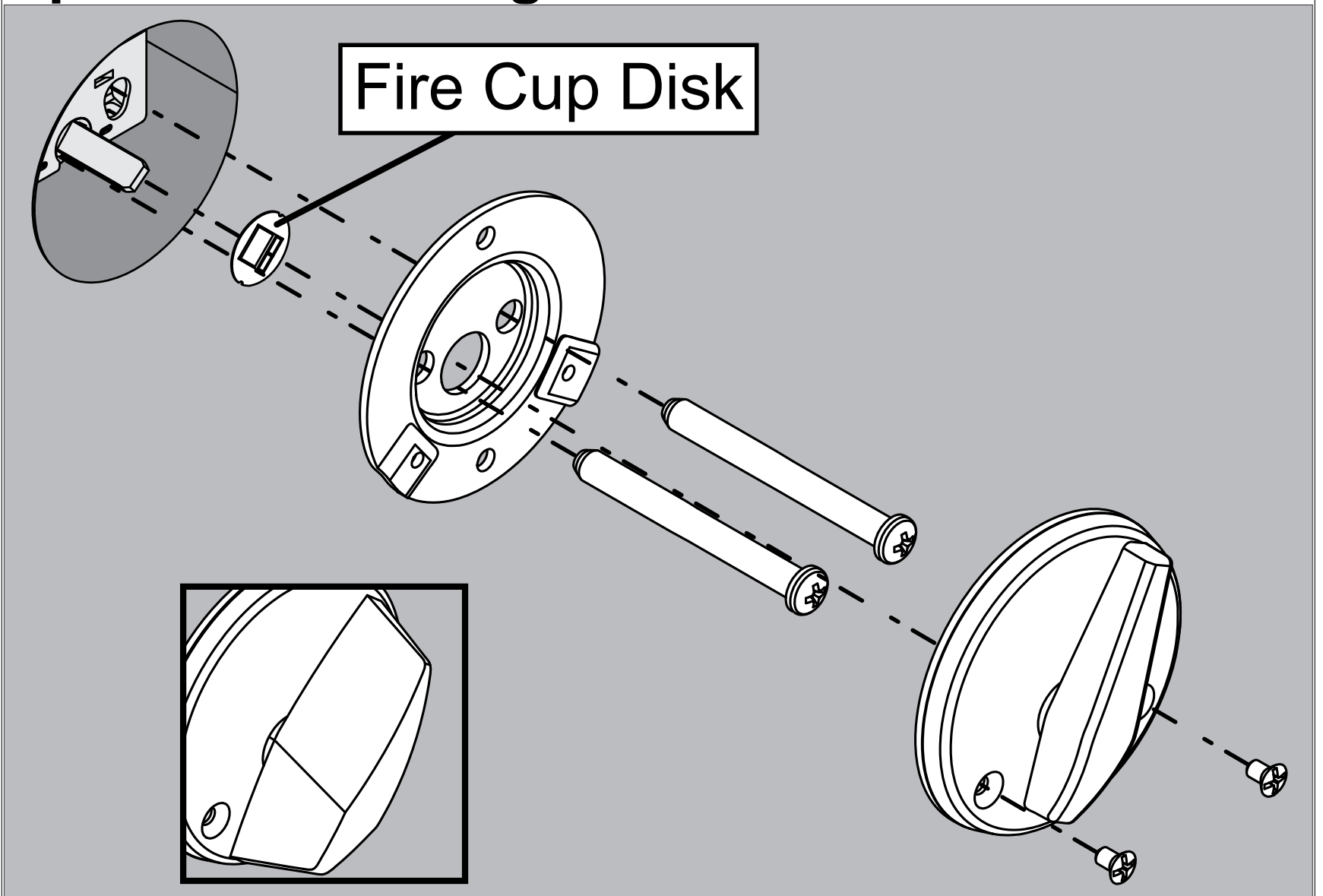
ⓘ Note: (B5/6/7/862 dual cylinder functions do not use fire cup disks)



10 Install inside trim (3 of 4)

B. For regular cylinder options: Make sure to point thumb turns away from door edge when installing. B563 turn will point straight upward.

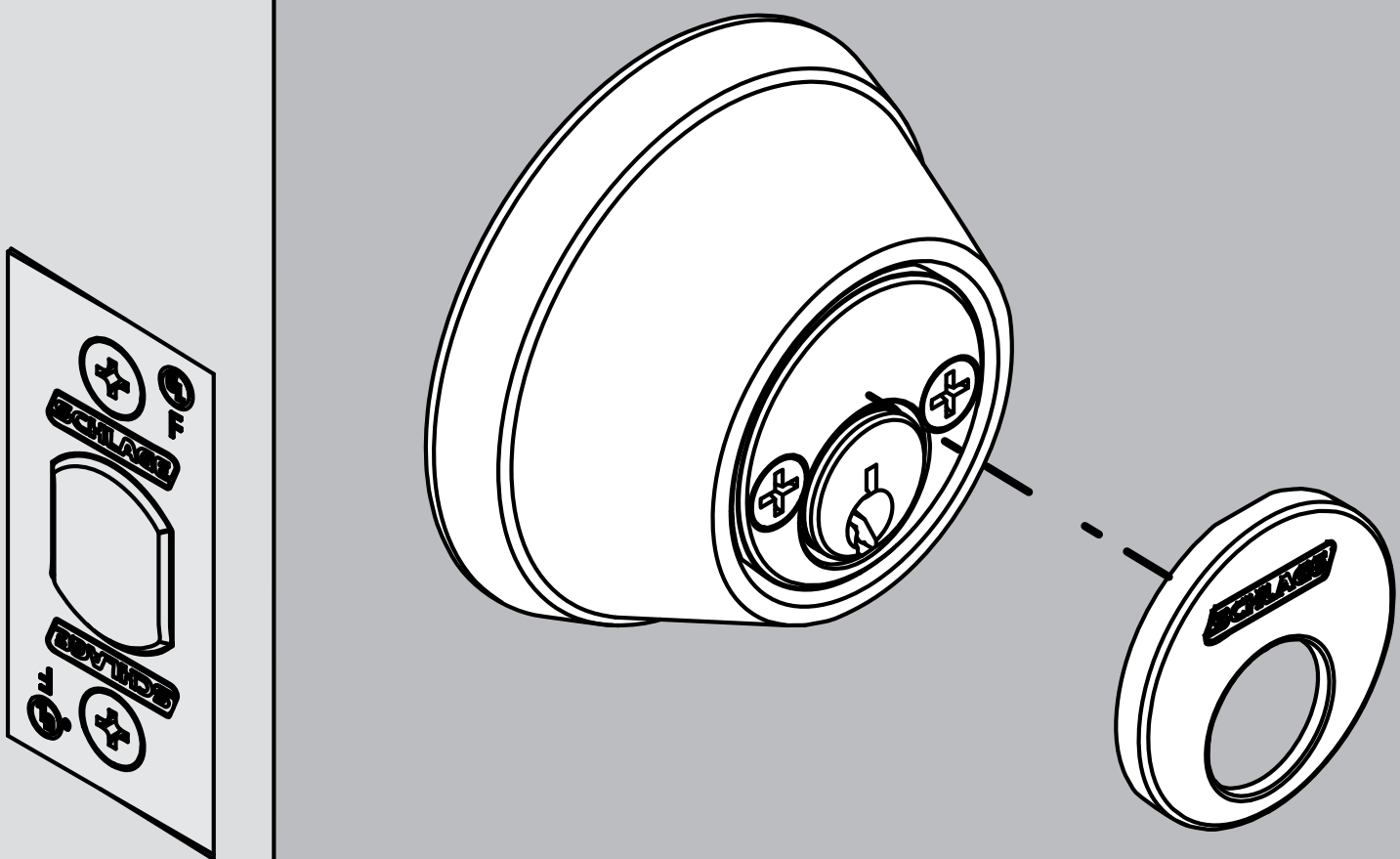
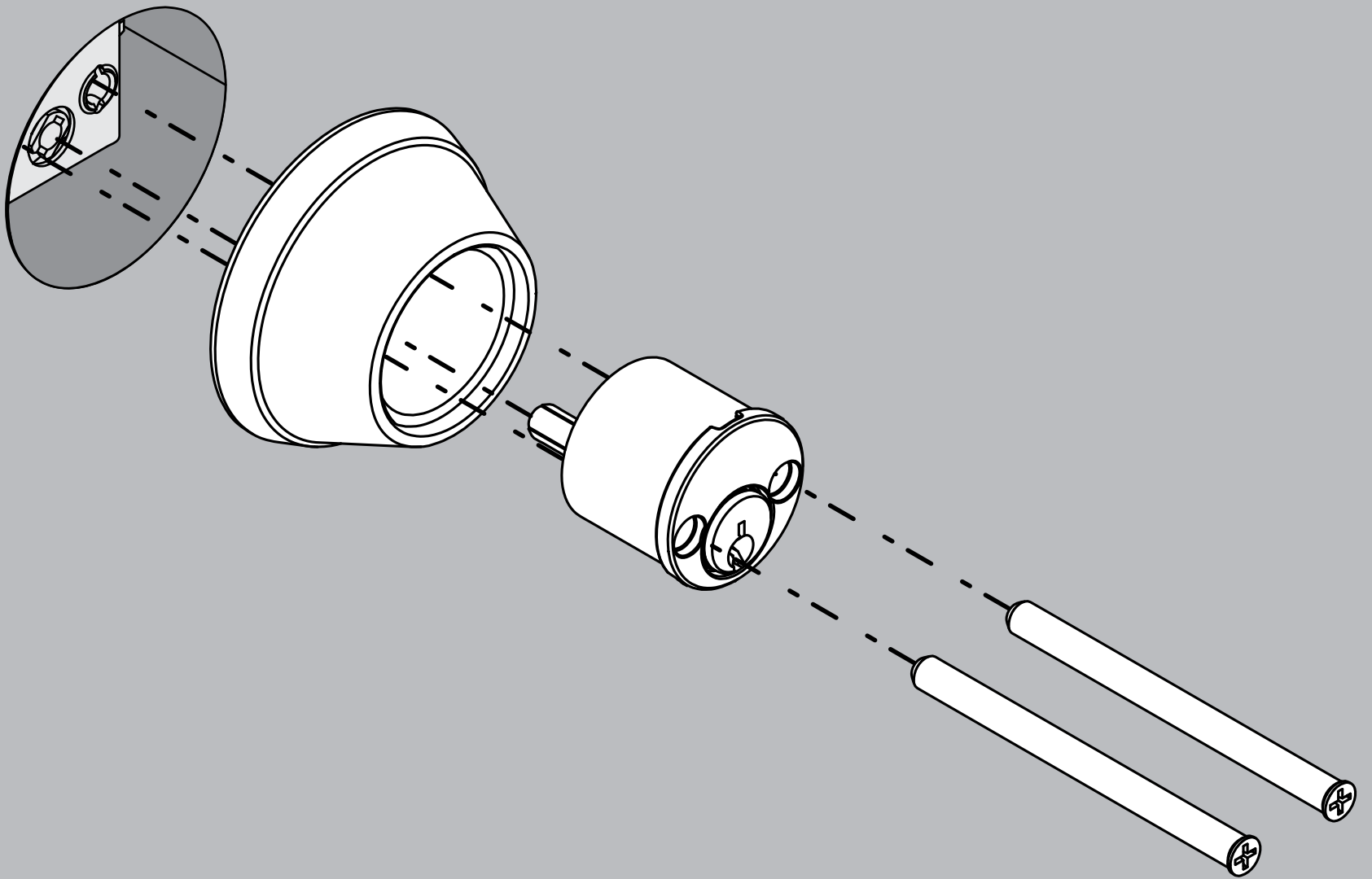
ⓘ Note: For fire rated products only, ensure fire cup disk is pushed onto the drive bar prior to installing inside trim.



10 Install inside trim (4 of 4)

B. (cont.) **For regular cylinder options:** For inside regular cylinders, install as shown below. Once assembled, press on the cylinder cover to the cylinder head.

ⓘ Note: (B5/6/7/862 dual cylinder functions do not use fire cup disks)



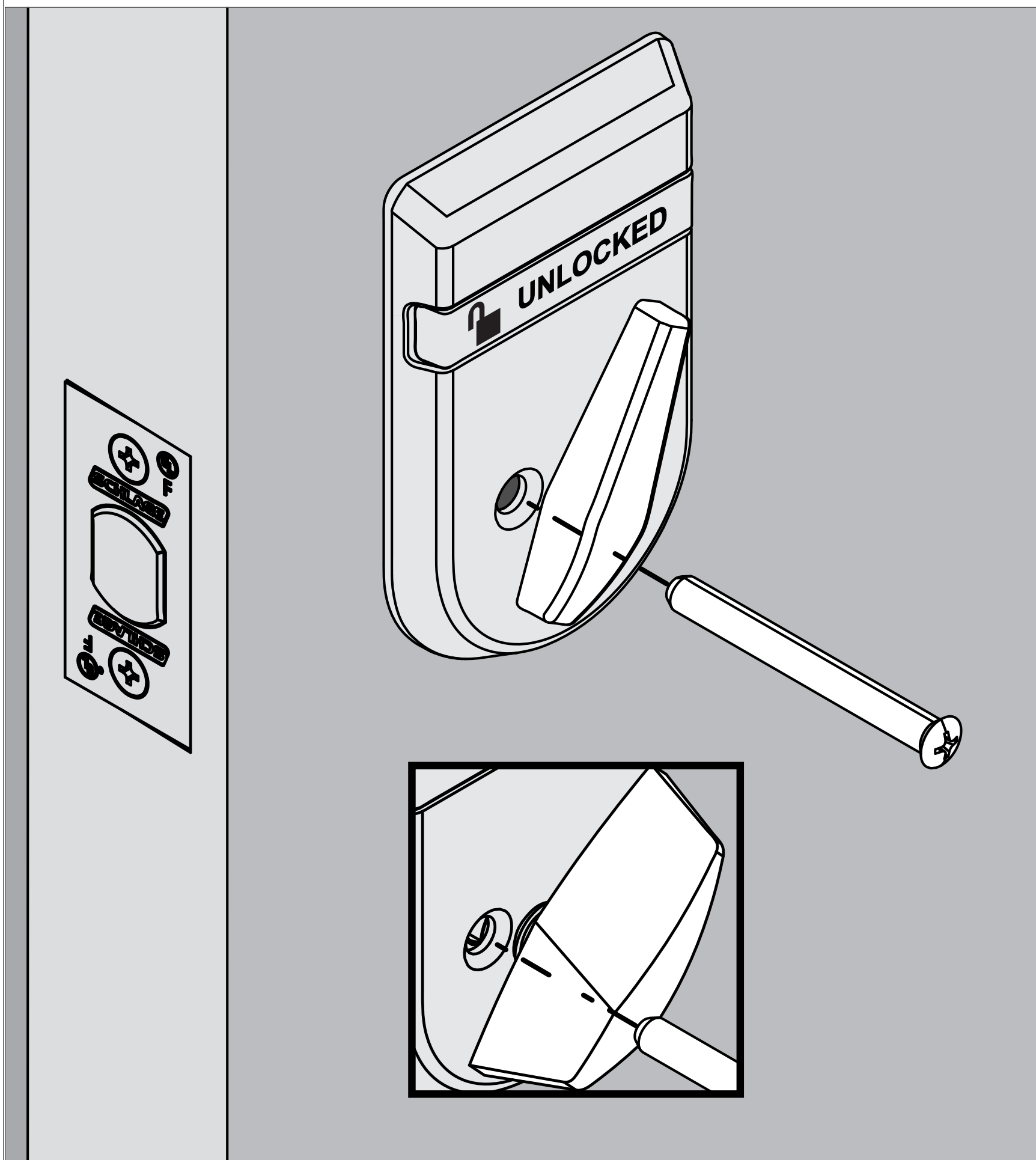
11 Install mounting bolts

For indicator thumb turn options: Install first bolt while in unlocked state. ***Tighten by hand only, do not exceed 15 in-lbs.***

ⓘ Note: For fire rated productions only, note that the bolt will thread through both fire cup and exterior cylinder housings.

WARNING

⚠ For B600 functions, ensure anti-drill balls are inserted prior to bolt installation.



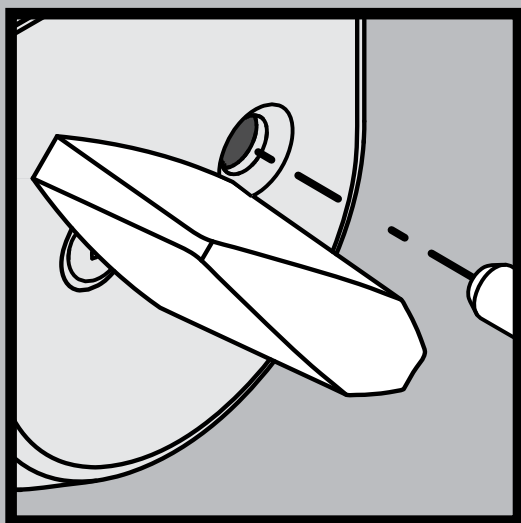
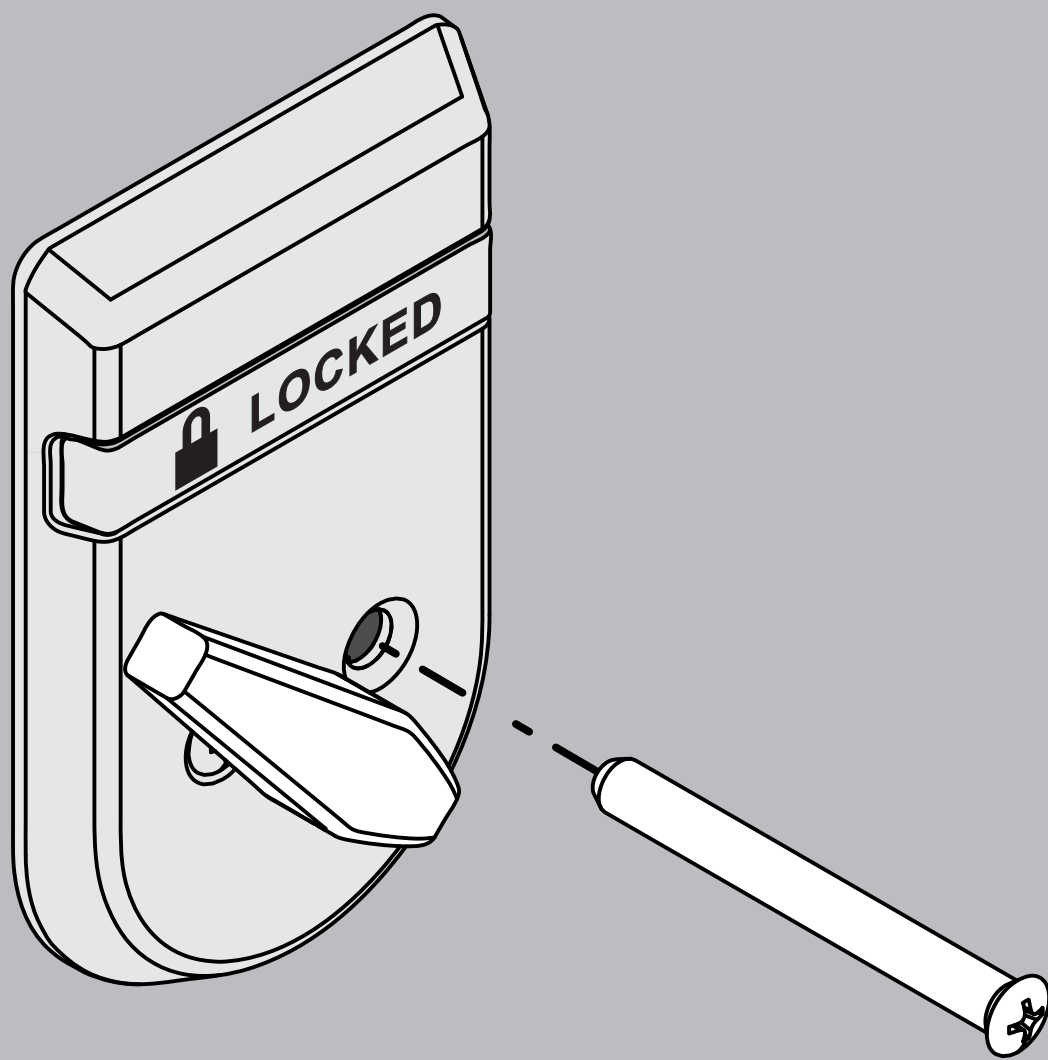
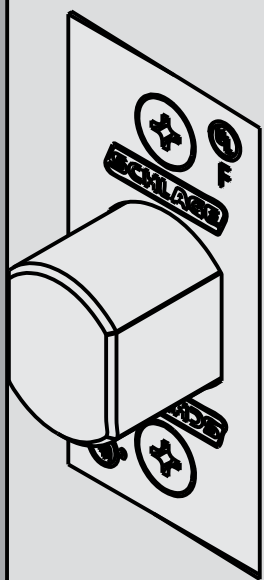
12 Install second bolt

For indicator thumb turn options: Flip the thumb turn and install the second bolt. ***Tighten by hand only, do not exceed 15 in-lbs.***

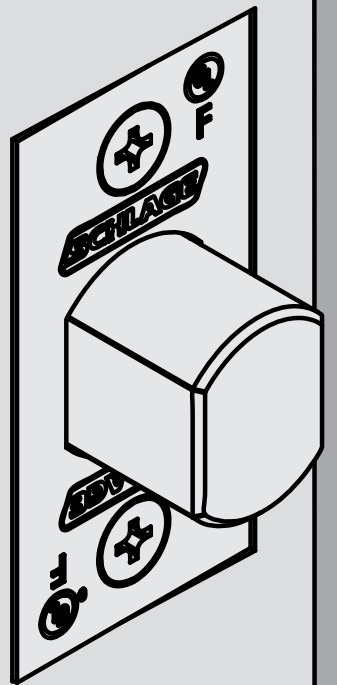
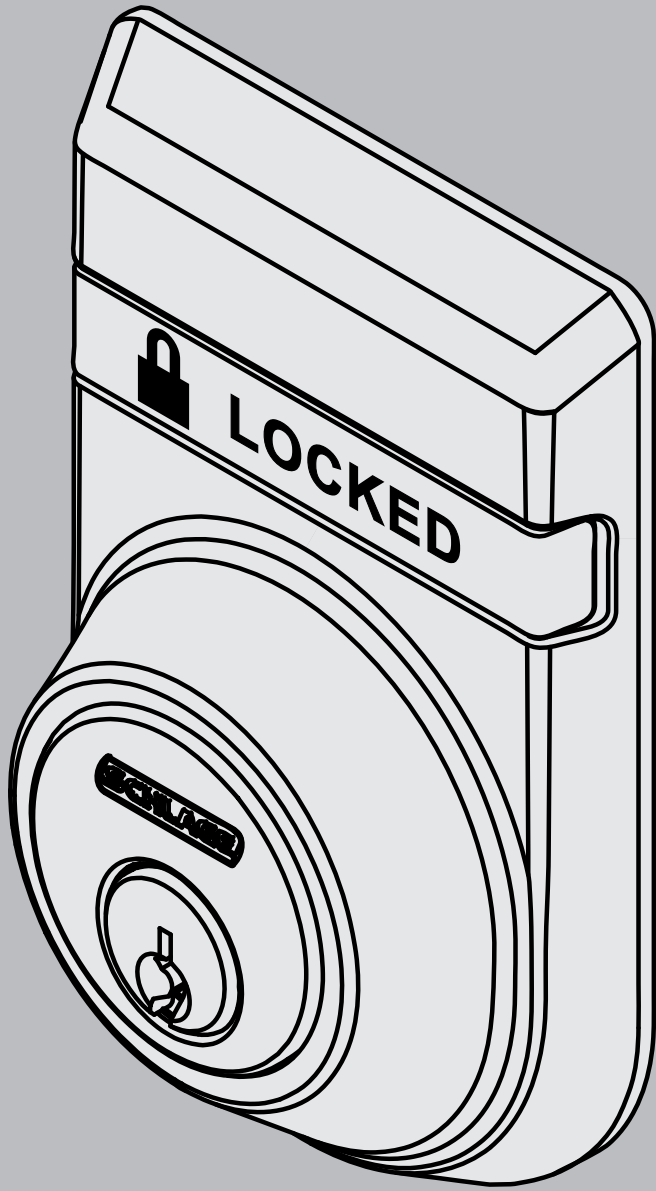
ⓘ Note: For fire rated productions only, note that the bolt will thread through both fire cup and exterior cylinder housings.

WARNING

⚠ For B600 functions, ensure anti-drill balls are inserted prior to bolt installation.



13 Complete



Checking lock function

1. Operate the deadbolt from the inside (Keyed or Thumb Turn)

- Is the motion smooth and the bolt can be fully retracted and extended with the door closed?

- Indicator sign always shows the correct bolt position

2. Operate the deadbolt from the outside (Keyed, Emergency Turn)

- Is the motion smooth and the bolt can be fully retracted and extended with the door closed?

- Indicator sign always shows the correct bolt position

- If sign does not match latch bolt position, return to step 4 and ensure that latch and trim are all in retracted/unlocked/vacant positions prior to install.

- If motion is not smooth or the bolt cannot be fully extended, review the door prep template and verify the door prep is correct.

3. Mounting bolts difficult to install

- Return to step 2, ensure fire cup is pointing in recommended position.