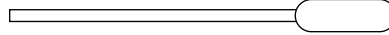
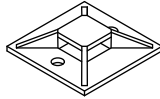
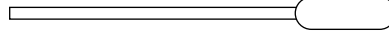
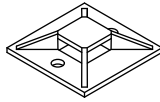


RX Wiring Kit



XE360 Falcon 25 Exit

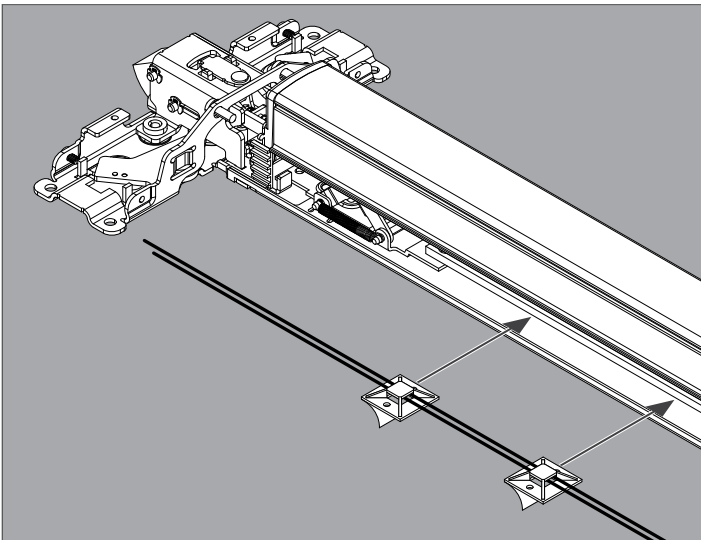
Installation Instructions



Scan for user guide,
interactive instructions,
warranty and more!
alle.co/XE360

1 Route wires and install cable mounts.

- 1a Slide the two included cable mounts onto the Common and Normally Open wires from the exit device RX switch.
- 1b Use the included swabs to remove any grease from the mechanism case.
- 1c Position and route wires into mechanism as shown.
- 1d Expose adhesive and stick mounts into place.



2 Route wires through center case and make connections.

- 2a Route wires into center case as shown. Shorten wires as necessary.
- 2b Connect to XE360 harness using the provided Scotchlok connectors (color orientation does NOT matter).

