

SCHLAGE

ND-Series

Service manual



Contents

5 Introduction

- 5 Lock assembly drawing index
- 5 Lock conversion
- 5 Changes and additions

6 Lock assembly drawing index

16 Chassis

- 17 Passage latch
- 18 Passage latch with request-to-exit
- 19 Exit lock
- 20 Exit lock with request-to-exit
- 21 Exit lock— electrically locked (fail safe) or electrically unlocked (fail secure)
- 22 Exit lock— electrically locked (fail safe) or electrically unlocked (fail secure) with request-to-exit
- 23 Exit lock with blank plate
- 24 Special— classroom exit lock
- 25 Special— storeroom exit lock
- 26 Patio, bath/bedroom privacy and hospital privacy lock
- 27 Time out lock with Vandlgard®
- 28 Entrance/office and entrance lock
- 29 Vestibule lock
- 30 Store lock
- 31 Classroom lock
- 32 Special— classroom by storeroom lock
- 33 Special— communicating lock
- 34 Special— communicating lock with Vandlgard®
- 35 Corridor lock
- 36 Classroom security lock
- 37 Classroom security lock (180-degree lockdown)
- 38 Storeroom lock
- 39 Storeroom lock with request-to-exit
- 40 Storeroom lock— electrically locked (fail safe) or electrically locked (fail safe)
- 41 Storeroom lock— electrically locked (fail safe) or electrically unlocked (fail secure) with request-to-exit
- 42 Accessible storeroom lock
- 43 Accessible storeroom lock with request-to-exit
- 44 Institution lock
- 45 Faculty restroom lock
- 46 Entrance/office and entrance lock with Vandlgard®
- 47 Vestibule lock with Vandlgard®
- 48 Classroom lock with Vandlgard®
- 49 Classroom security lock with Vandlgard®
- 50 Storeroom lock with Vandlgard®
- 51 Storeroom lock with Vandlgard® with request-to-exit
- 52 Storeroom lock with Vandlgard®— electrically locked (fail safe) or electrically unlocked (fail secure)
- 53 Storeroom lock with Vandlgard®— electrically locked (fail safe) or electrically unlocked (fail secure) with request-to-exit
- 54 Corridor lock with Vandlgard®
- 55 Classroom security lock with Vandlgard® (180-degree lockdown)

56 Trim assemblies

- 57 Passage latch
- 58 Passage latch with request-to-exit
- 59 Exit lock
- 60 Exit lock with request-to-exit
- 61 Exit lock— electrically locked (fail safe) or electrically unlocked (fail secure)
- 62 Exit lock— electrically locked (fail safe) or electrically unlocked (fail secure) with request-to-exit
- 63 Single dummy trim
- 64 Double dummy trim
- 65 Exit lock with blank plate
- 66 Special— classroom exit lock
- 67 Special— storeroom exit lock
- 68 Special— patio lock
- 69 Bath/bedroom privacy lock
- 70 Hospital privacy lock
- 71 Time out lock with Vandlgard®
- 72 Entrance/office lock
- 73 Entrance/office lock
- 74 Vestibule lock
- 75 Special— ND60 with closed outside lever
- 76 Store lock
- 77 Classroom lock
- 78 Special— classroom by storeroom lock
- 79 Special— communicating lock
- 80 Special— communicating lock with Vandlgard®
- 81 Corridor lock
- 82 Classroom security lock (180-degree lockdown)
- 83 Storeroom lock
- 84 Storeroom lock with request-to-exit
- 85 Storeroom lock— electrically locked (fail safe) or electrically unlocked (fail secure)
- 86 Storeroom lock— electrically locked (fail safe) or electrically unlocked (fail secure) with request-to-exit
- 87 Accessible storeroom lock
- 88 Accessible storeroom lock with request-to-exit
- 89 Institution lock
- 90 Faculty restroom lock
- 91 Entrance/office lock with Vandlgard®
- 92 Entrance lock with Vandlgard®
- 93 Vestibule with Vandlgard®
- 94 Classroom lock with Vandlgard®
- 95 Storeroom lock with Vandlgard®
- 96 Storeroom lock with Vandlgard® with request-to-exit
- 97 Storeroom lock with Vandlgard®— electrically locked (fail safe) or electrically unlocked (fail secure)
- 98 Storeroom lock with Vandlgard®— electrically locked (fail safe) or electrically unlocked (fail secure) with request-to-exit
- 99 Corridor lock with Vandlgard®
- 100 Classroom security lock with Vandlgard® (180-degree lockdown)
- 101 Bath/Bedroom Privacy with Outside Indicator

- 102 Hospital Privacy lock with Outside Indicator
- 103 Entrance/office lock with Inside Indicator
- 104 Entrance lock with Inside Indicator
- 105 Classroom Security lock with Inside Indicator
- 106 Entrance/office with Vandlgard® with Inside Indicator
- 107 Entrance lock with Vandlgard® with Inside Indicator
- 108 Classroom Security with Vandlgard® with Inside Indicator

109 Conversion

- 109 Spring cage conversion
- 110 Lever conversion
- 110 Button and plunger assembly conversion
- 111 Indicator Lock Conversion
- 112 Lever conversion kits

113 Levers

- 113 Tactile warning levers

115 Roses/Escutcheons

116 IC cylinder configurations

117 Cylinders

- 118 Competitor cylinder options

119 Latches

119 Strikes

120 Parts

- 120 Screws, screw packs, and special parts

122 Installation tools and kits

124 Electrified locks

- 124 Allegion Connect

125 Request-to-exit feature

126 High security ligature resistant (HSLR) trim

127 Finishes

128 Ordering procedures

129 Limited warranty

Introduction

This manual contains a complete listing of ND-Series (Grade 1) cylindrical lock parts and assemblies manufactured by the Schlage Lock Company. This edition lists components of ND-Series locks manufactured after February, 2017.

This manual provides exploded views of each lock chassis and trim assembly with an accompanying chart to identify parts for replacement purposes, along with lock trim ordering procedures, general cylinder information, and all auxiliary components of the ND-Series cylindrical locks.

Standard Features*	
Certifications	Exceeds BHMA A156.2 requirements for Grade 1 cylindrical locks. Exceeds BHMA A156.25 requirements for indoor electrified locks. UL10C listed for 3-hour fire doors up to 4'0" x 10'0" Meets Florida Building Code (ASTM E330, E1886, E1996) and Miami-Dade (TAS 201, 202, 203) requirements for hurricanes.
Latch	1½" x 2¼", Square corner faceplate, 1" housing diameter, ½" throw
Strike	1¼" x 4⅞", ANSI, Square corner, no box
Backset	2¾"
Cylinder	6-Pin solid brass, keyed 6-pin, S123 keyway, keyed different (KD)**
Door Range	Standard Lock Functions: 1⅝" – 2⅞"; Vandlgard® Lock Functions: 1⅝" – 2⅞"; ND85 Function: 1¾" – 2"; Functions with Indicators: 1¾"
Keys	Two nickel silver cut keys per lock, 6-pin, S123 section**

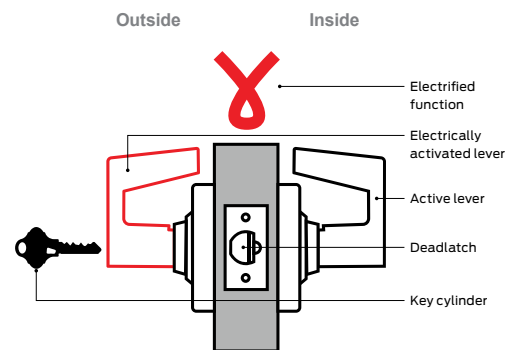
* Locks are furnished with standard features unless otherwise specified.

** Items specified in C keyway will be furnished with cylinder keyed 5-pin and with 5-pin keys unless otherwise specified.

Lock assembly drawing index

The lock assembly drawing index provides illustrations and textual descriptions of available functions.

Page numbers for full trim and chassis drawings are referenced.



Lock conversion

Locks manufactured before February 2017 may be converted from original to new (post-February 2017) components and assemblies.

For detailed lists of original and new parts and assemblies, and kits for lock conversion, refer to **Conversion** on page 109, **Lever conversion** on page 110, and **Parts** on page 120.

Changes and additions

ND81 Accessible Storeroom lock (**ND81** on page 87)

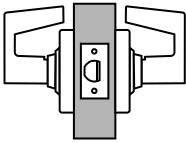
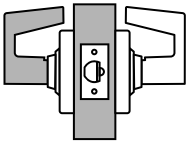
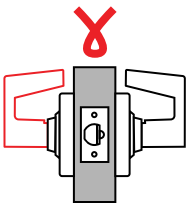
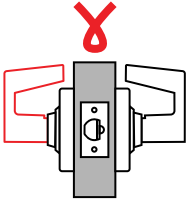
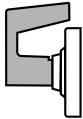
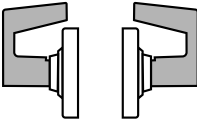
ND78 Classroom Security lock (with 180-degree lockdown) (**ND78** on page 82)

ND98 Classroom Security lock with Vandlgard (with 180-degree lockdown) (**ND98 IND** on page 108)

ND40 & ND44 functions with Outside Indicators (**ND40 IND** on page 101 & **ND44 IND** on page 102)

ND50, ND53, ND78, ND91, ND92 ND98 functions with Inside Indicators (pages 103 - 108)

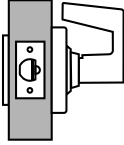
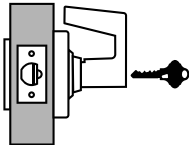
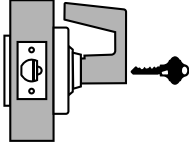
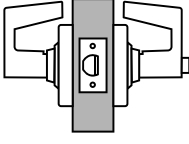
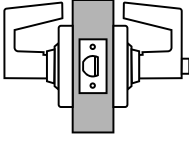
Lock assembly drawing index

Function		ANSI/BHMA A156.2, 2022, Series 4000, Grade 1	Trim	Chassis
Schlage	ANSI	Description	Page	Page
ND10	F75	<p>Passage latch</p> <ul style="list-style-type: none"> Levers both sides; springlatch Latch retracted by lever from either side at all times Inside lever always free for immediate egress <p>To order configured with Request to Exit (RX), specify RX under special options.</p>	 <p>57</p> <p>RTX 58</p>	<p>17</p> <p>RTX 18</p>
ND12	F89	<p>Exit lock</p> <ul style="list-style-type: none"> Levers both sides; deadlatch Outside lever always fixed; latch retracted by inside lever Inside lever always free for immediate egress <p>To order configured with Request to Exit (RX), specify RX under special options.</p>	 <p>59</p> <p>RTX 60</p>	<p>19</p> <p>RTX 20</p>
ND12EL	-	<p>Exit lock— electrically locked outside lever(fail safe)</p> <ul style="list-style-type: none"> Lever both sides; deadlatch Powered state: outside lever continuously locked (when in EL mode) When power is removed (via switch or power failure), in EL mode either lever will retract latch Inside lever always free for immediate egress <p>Unless EL or EU is specified, order will default to an EU setting. Optional RX function can be ordered configured by specifying RX under special options or add later using kit part N123-062</p>	 <p>61</p> <p>RTX 62</p>	<p>21</p> <p>RTX 22</p>
ND12EU	-	<p>Exit lock— electrically unlocked outside lever (fail secure)</p> <ul style="list-style-type: none"> Lever both sides; deadlatch Powered state: outside lever continuously unlocked (when in EU mode) When power is removed (via switch or power failure), in EU mode outside lever is locked Inside lever always free for immediate egress <p>To order configured with Request to Exit (RX), specify RX under special options.</p>	 <p>61</p> <p>RTX 62</p>	<p>21</p> <p>RTX 22</p>
ND170	-	<p>Single dummy trim</p> <ul style="list-style-type: none"> Fixed lever one side only; no latch or chassis Used for door pull or matching inactive trim 	 <p>63</p>	-
ND172	-	<p>Double dummy trim</p> <ul style="list-style-type: none"> Fixed levers-both sides; no latch or chassis Used for door pull or matching inactive trim <p>Note: Latch cover plates available. Order part number 47269199.</p>	 <p>64</p>	-

Note: Any function with a dead latch locks the latch bolt when door is closed. See page 5 for identification.

⚠ Caution: Double cylinder locks on residences and any door in any structure which is used for egress are a life safety hazard in times of emergency and their use is not recommended. Installation should be in accordance with existing codes only.

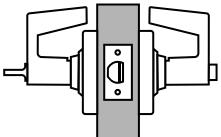
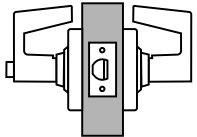
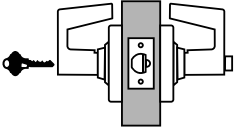
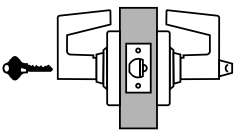
Lock assembly drawing index

Function		ANSI/BHMA A156.2, 2022, Series 4000, Grade 1	Trim	Chassis	
Schlage	ANSI	Description	Page	Page	
ND25	-	<p>Exit lock with exterior blank plate</p> <ul style="list-style-type: none"> Blank plate outside; lever inside; deadlatch Latch retracted by inside lever Inside lever always free for immediate egress 		65	23
ND25 x 70	F113	<p>Classroom exit lock</p> <ul style="list-style-type: none"> Blank plate outside; lever with cylinder inside; deadlatch In unlocked state latch is retracted by inside lever Outside always secure; inside lever is made inoperative by key inside Key inside retracts latch and unlocks inside lever 		66	24
ND25 x 80	F112	<p>Storeroom exit lock</p> <ul style="list-style-type: none"> Blank plate outside; lever with cylinder inside; deadlatch Outside always secure; inside lever is always fixed Key inside retracts latch but does not unlock lever 		67	25
ND30	F77	<p>Patio lock</p> <ul style="list-style-type: none"> Lever outside; push button in lever inside; springlatch In unlocked state latch is retracted by either lever Outside lever is made inoperative by pushing button on inside lever Rotating inside lever retracts latch and releases button unlocking outside lever; closing door also unlocks preventing lockout Inside lever always free for immediate egress 		68	26
ND40	F76	<p>Bath/bedroom privacy lock</p> <ul style="list-style-type: none"> Lever with emergency release recessed slot outside; push button in lever inside; springlatch In unlocked state latch is retracted by either lever Outside lever is made inoperative by pushing button on inside lever Rotating inside lever retracts latch and releases button unlocking outside lever; closing door also unlocks preventing lockout Emergency unlock: an emergency key (sold separate) or small, flat screwdriver inserted in outside lever and turned releases button to unlock Inside lever always free for immediate egress <p>Note: Locks ordered with indicator trim fit 1 3/4" doors. Sold separate shim components allow application to doors 1 5/8" to 1 3/4".</p> <p>To order an emergency key use part number 35-270.</p>		69 IND 101	26

Note: Any function with a dead latch locks the latch bolt when door is closed. See page 5 for identification.

⚠ Caution: Double cylinder locks on residences and any door in any structure which is used for egress are a life safety hazard in times of emergency and their use is not recommended. Installation should be in accordance with existing codes only.

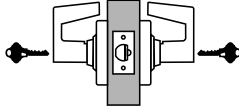
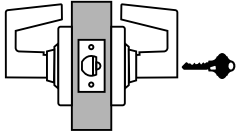
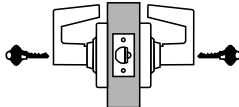
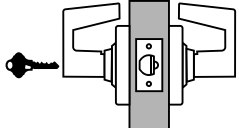
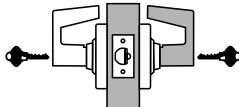
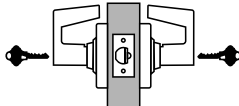
Lock assembly drawing index

Function		ANSI/BHMA A156.2, 2022, Series 4000, Grade 1	Trim	Chassis
Schlage	ANSI	Description	Page	Page
ND44		<p>Hospital privacy lock</p> <ul style="list-style-type: none"> Emergency turn in lever outside; push button in lever inside; springlatch In unlocked state latch is retracted by either lever Outside lever is made inoperative by pushing button on inside lever Rotating inside lever retracts latch and releases button unlocking outside lever; closing door also unlocks preventing lockout Emergency unlock: rotating emergency turn in outside lever releases button to unlock Inside lever always free for immediate egress <p>Note: Locks ordered with indicator trim fit 13/4" doors. Sold separate shim components allow application to doors 13/8" to 13/4".</p>	 <p>70 IND 102</p>	26
ND45		<p>Time out lock with Vandgard®</p> <ul style="list-style-type: none"> Spring-loaded push button in lever outside; lever inside; springlatch In unlocked state latch is retracted by either lever Caretaker side: pushing and holding button enables Vandgard® feature; detention side lever will rotate without engaging latch Releasing manually held button enables inside lever to re-engage with latch and open the door 	 <p>71</p>	27
ND50	F82	<p>Entrance/office lock</p> <ul style="list-style-type: none"> Lever with key cylinder outside; push button in lever inside; deadlatch In unlocked state latch is retracted by either lever Outside lever is made inoperative by pushing button on inside lever; key outside does not lock Key outside or rotating inside lever retracts latch and releases button unlocking outside lever Inside lever always free for immediate egress <p>Note: Locks ordered with indicator trim fit 13/4" doors. Sold separate shim components allow application to doors 13/8" to 13/4".</p>	 <p>72 IND 103</p>	28
ND53	F109	<p>Entrance lock</p> <ul style="list-style-type: none"> Lever with key cylinder outside; push/turn button in lever inside; deadlatch In unlocked state latch is retracted by either lever Outside lever is made inoperative by pushing button or pushing and turning button on inside lever; key outside does not lock Pushed button unlocking: key outside or rotating inside lever retracts latch and releases button unlocking outside lever Pushed/turned button unlocking: key outside or rotating inside lever retracts latch but does not unlock outside lever; rotate inside button to start position to allow button release and unlocking by key or by rotating inside lever Inside lever always free for immediate egress <p>Caution: Egress without fully releasing the push/turn button can result in lock-out situations.</p> <p>Note: Locks ordered with indicator trim fit 1 3/4" doors. Sold separate shim components allow application to doors 1 3/8" to 1 3/4".</p>	 <p>73 IND 104</p>	28

Note: Any function with a dead latch locks the latch bolt when door is closed. See page 5 for identification.

⚠ Caution: Double cylinder locks on residences and any door in any structure which is used for egress are a life safety hazard in times of emergency and their use is not recommended. Installation should be in accordance with existing codes only.

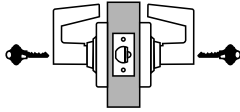
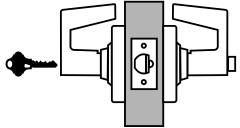
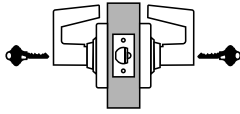
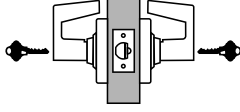
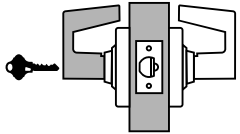
Lock assembly drawing index

Function		ANSI/BHMA A156.2, 2022, Series 4000, Grade 1	Trim	Chassis	
Schlage	ANSI	Description	Page	Page	
ND60	F88	<p>Vestibule lock</p> <ul style="list-style-type: none"> • Lever with key cylinder both sides; deadlatch • In unlocked state latch is retracted by either lever • Outside lever is made inoperative by key inside; key outside does not lock • Key outside retracts latch but cannot unlock outside lever; only key inside unlocks • Inside lever always free for immediate egress <p>Note: Available with optional instruction rose identifying key rotation direction for rapid lockdown. 626 finish only.</p> <p>To order with instruction rose specify function and note XN12-035 as a special option.</p>		74	29
ND60 with XN12-001		<p>Vestibule lock with interior unlocking only</p> <ul style="list-style-type: none"> • Lever outside; lever with key cylinder inside; deadlatch • In unlocked state latch is retracted by either lever • Outside lever is locked or unlocked by key inside • Inside lever always free for immediate egress <p>To order, specify function and note XN12-001 as a special option.</p>		75	29
ND66	F91	<p>Store lock ✦</p> <ul style="list-style-type: none"> • Lever with key cylinder both sides; deadlatch • In unlocked state latch is retracted by either lever • Key in either lever locks or unlocks both levers 		76	30
ND70	F84	<p>Classroom lock, exterior lockdown only</p> <ul style="list-style-type: none"> • Lever with key cylinder outside; lever inside; deadlatch • In unlocked state latch is retracted by either lever • Outside lever is locked or unlocked by key outside • Inside lever always free for immediate egress 		77	31
ND70 x 80		<p>Classroom by storeroom lock ✦</p> <ul style="list-style-type: none"> • Lever with key cylinder both sides; deadlatch • In unlocked state inside lever is always fixed; latch retracted by outside lever • Outside lever is locked or unlocked by key outside; key inside retracts latch but does not unlock either lever 		78	32
ND72 with XN12-002		<p>Communicating lock ✦</p> <ul style="list-style-type: none"> • Lever with key cylinder both sides; deadlatch • In unlocked state latch is retracted by either lever • Key in either lever makes inoperative only that lever • Key in either lever retracts the latch and unlocks only that lever <p>To order, specify function and note XN12-002 as a special option.</p>		79	33

Note: Any function with a dead latch locks the latch bolt when door is closed. See page 5 for identification.

✦ Caution: Double cylinder locks on residences and any door in any structure which is used for egress are a life safety hazard in times of emergency and their use is not recommended. Installation should be in accordance with existing codes only.

Lock assembly drawing index

Function	ANSI/BHMA A156.2, 2022, Series 4000, Grade 1	Trim	Chassis		
Schlage	ANSI	Description	Page	Page	
ND72 Vandlgard® with XN12-003		<p>Vandlgard® communicating lock ✦</p> <ul style="list-style-type: none"> • Lever with key cylinder both sides; deadlatch • In unlocked state latch is retracted by either lever • Key in either lever makes inoperative only that lever; Vandlgard® allows locked lever to rotate freely when locked • Key in either lever retracts the latch and unlocks only that lever Caution: Double cylinder locks on <p>To order, specify function and note XN12-003 as a special option.</p>		80	34
ND73	F90	<p>Entrance lock</p> <ul style="list-style-type: none"> • Lever with key cylinder outside; push button in lever inside; deadlatch • In unlocked state latch is retracted by either lever • Outside lever is made inoperative by pushing button on inside lever or by key outside • When locked by pushed button: rotating inside lever retracts latch and releases button unlocking outside lever; closing door also unlocks preventing lock-out • When locked by key: rotating inside lever retracts latch but outside lever remains fixed until unlocked by key outside • Inside lever always free for immediate egress 		81	35
ND75	F110	Classroom security lock (discontinued)		-	36
ND78	F110	<p>Classroom security lock(180-degree lockdown)</p> <ul style="list-style-type: none"> • Lever with key cylinder both sides; deadlatch • In unlocked state latch is retracted by either lever • Outside lever is made inoperative by rotating key in either lever 180 degrees counterclockwise and returning to start position • Unlock outside lever by rotating key 180 degrees clockwise in either lever and returning to start position • Inside lever always free for immediate egress <p>Locks ordered in 626 finish come standard with instruction rose (47342586) identifying key rotation direction for rapid lockdown. Other finishes receive a standard rose.</p> <p>Note: Locks ordered with indicator trim fit 1¾" doors. Sold separate shim components allow application to doors 1⅝" to 1¾".</p>		82 IND 105	37
ND80	F86	<p>Storeroom lock</p> <ul style="list-style-type: none"> • Lever with key cylinder outside; lever inside; deadlatch • Outside lever always fixed; latch retracted by inside lever • Key in outside lever retracts latch only • Inside lever always free for immediate egress <p>To order configured with Request to Exit (RX), specify RX under special options.</p>		83 84	38 39

Note: Any function with a dead latch locks the latch bolt when door is closed. See page 5 for identification.

✦ Caution: Double cylinder locks on residences and any door in any structure which is used for egress are a life safety hazard in times of emergency and their use is not recommended. Installation should be in accordance with existing codes only.

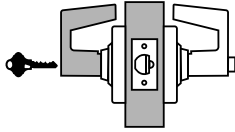
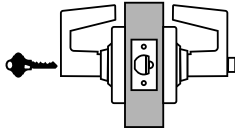
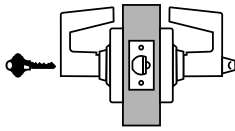
Lock assembly drawing index

Function		ANSI/BHMA A156.2, 2022, Series 4000, Grade 1	Trim	Chassis
Schlage	ANSI	Description	Page	Page
ND80EL		<p>Storeroom lock, electrically locked outside lever (fail safe)</p> <ul style="list-style-type: none"> • Lever with key cylinder outside; lever inside; deadlatch • Powered state: outside lever continuously locked (when in EL mode) • When power is removed (via switch or power failure), in EL mode either lever will retract latch • Key outside retracts latch but cannot change the normal locked or unlocked state of the outside lever • Inside lever always free for immediate egress <p>Note: Auto detects 12 or 24V DC. Chassis mounted switch allows field selectable EL/EU setting.</p> <p>Ordering: unless EL or EU is specified, order will default to an EU setting. Optional RX function can be ordered configured by specifying RX under special options or add later using kit part N123-062.</p>	85	40
			86	41
ND80EU		<p>Storeroom lock, electrically unlocked outside lever (fail secure)</p> <ul style="list-style-type: none"> • Lever with key cylinder outside; lever inside; deadlatch • Powered state: outside lever continuously unlocked (when in EU mode) • When power is removed (via switch or power failure), in EU mode outside lever is locked • Key outside retracts latch but cannot change the normal locked or unlocked state of the outside lever • Inside lever always free for immediate egress <p>Note: Auto detects 12 or 24V DC. Chassis mounted switch allows field selectable EL/EU setting.</p> <p>To order configured with Request to Exit (RX), specify RX under special options.</p>	85	40
			86	41
ND81	F86	<p>Accessible storeroom lock</p> <ul style="list-style-type: none"> • Lever with key cylinder outside; lever inside; deadlatch • Outside lever is always fixed when key is not present; latch retracted by inside lever • Key outside turned counter-clockwise retracts latch; 180-degree clockwise rotation of key allows outside lever to retract latch • Inside lever always free for immediate egress <p>To order configured with Request to Exit (RX), specify RX under special options</p>	87	42
ND82	F87	<p>Institution lock ✦</p> <ul style="list-style-type: none"> • Lever with key cylinder both sides; deadlatch • Both levers are always fixed • Key in either lever retracts latch only 	89	44

Note: Any function with a dead latch locks the latch bolt when door is closed. See page 5 for identification.

✦ Caution: Double cylinder locks on residences and any door in any structure which is used for egress are a life safety hazard in times of emergency and their use is not recommended. Installation should be in accordance with existing codes only.

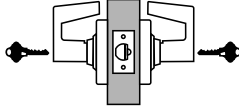
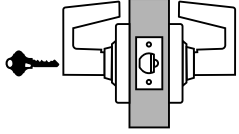
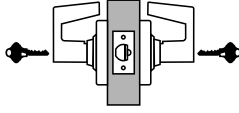
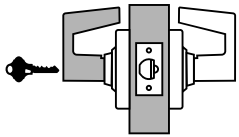
Lock assembly drawing index

Function	ANSI/BHMA A156.2, 2022, Series 4000, Grade 1	Trim	Chassis		
Schlage	ANSI	Description		Page	Page
ND85		<p>Faculty restroom lock</p> <ul style="list-style-type: none"> • Lever with conventional indicator cylinder outside; push button in lever inside; deadlatch • Entrance by key only; outside lever always fixed; latch retracted by inside lever • Push button on inside lever activates a locking pin that extends from the cylinder face to prohibit use of operating keys and indicate that the room is in use • Turning inside lever or closing door releases the locking pin and push button to allow normal use of operating keys • Emergency unlock: use of an emergency key (sold separate) is required to override the locking pin and unlock from the outside when push button is activated • Inside lever always free for immediate egress <p>Note: Available with Conventional KIL indicator cylinder only. To order a spanner key to enable lockout feature use part number 35-251.</p> <p>To order an emergency key use part number 35-102.</p>		90	45
ND91	F82	<p>Vandlgard® entrance/office lock</p> <ul style="list-style-type: none"> • Lever with key cylinder outside; push button in lever inside; deadlatch • In unlocked state latch is retracted by either lever • Outside is made inoperative by pushing button on inside lever; key outside does not lock, Vandlgard® allows outside lever to rotate freely when locked • Key outside or rotating inside lever retracts latch and releases button unlocking outside lever • Inside lever always free for immediate egress <p>Note: Locks ordered with indicator trim fit 1¾" doors. Sold separate shim components allow application to doors 1⅝" to 1¾".</p>		91 IND 106	46
ND92	F109	<p>Vandlgard® entrance lock</p> <ul style="list-style-type: none"> • Lever with key cylinder outside; push/turn button in lever inside; deadlatch • In unlocked state latch is retracted by either lever • Outside lever is made inoperative by pushing button or pushing and turning button on inside lever; key outside does not lock, Vandlgard® allows outside lever to rotate freely when locked • Pushed button unlocking: key outside or rotating inside lever retracts latch and releases button unlocking outside lever • Pushed/turned button unlocking: key outside or rotating inside lever retracts latch but does not unlock outside lever; rotate inside button to start position to allow button release and unlocking by key or by rotating inside lever • Inside lever always free for immediate egress <p>Caution: Egress without fully releasing the push/turn button can result in lock-out situations.</p> <p>Note: Locks ordered with indicator trim fit 1¾" doors. Sold separate shim components allow application to doors 1⅝" to 1¾".</p>		92 IND 107	46

Note: Any function with a dead latch locks the latch bolt when door is closed. See page 5 for identification.

⚠ Caution: Double cylinder locks on residences and any door in any structure which is used for egress are a life safety hazard in times of emergency and their use is not recommended. Installation should be in accordance with existing codes only.

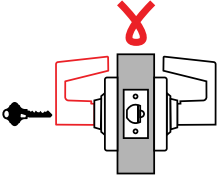
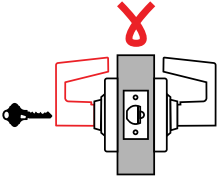
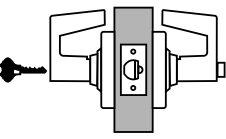
Lock assembly drawing index

Function		ANSI/BHMA A156.2, 2022, Series 4000, Grade 1	Trim	Chassis	
Schlage	ANSI	Description	Page	Page	
ND93	F88	<p>Vandlgard® vestibule lock</p> <ul style="list-style-type: none"> • Lever with key cylinder both sides; deadlatch • In unlocked state latch is retracted by either lever • Outside lever is made inoperative by key inside; key outside does not lock; Vandlgard® allows outside lever to rotate freely when locked • Key outside retracts latch but cannot unlock outside lever; only key inside unlocks • Inside lever always free for immediate egress <p>Note: Available with optional instruction rose identifying key rotation direction for rapid lockdown. 626 finish only.</p> <p>To order with instruction rose specify function and note XN12-035 as a special option.</p>		93	47
ND94	F84	<p>Vandlgard® classroom lock, exterior lockdown only</p> <ul style="list-style-type: none"> • Lever with key cylinder outside; lever inside; deadlatch • In unlocked state latch is retracted by either lever • Outside lever is locked or unlocked by key outside; Vandlgard® allows outside lever to rotate freely when locked • Inside lever always free for immediate egress 		94	48
ND95		Classroom security lock with Vandlgard (discontinued)		-	49
ND96	F86	<p>Vandlgard® storeroom lock</p> <ul style="list-style-type: none"> • Lever with key cylinder outside; lever inside; deadlatch • Outside lever always inoperative; Vandlgard® allows outside lever to rotate freely when locked • Key in outside lever retracts latch only • Inside lever always free for immediate egress <p>To order configured with Request to Exit (RX), specify RX under special options.</p>		95 96	50 51

Note: Any function with a dead latch locks the latch bolt when door is closed. See page 5 for identification.

- ⚠ Caution: Double cylinder locks on residences and any door in any structure which is used for egress are a life safety hazard in times of emergency and their use is not recommended. Installation should be in accordance with existing codes only.

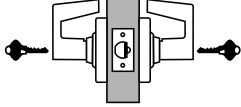
Lock assembly drawing index

Function	ANSI/BHMA A156.2, 2022, Series 4000, Grade 1	Trim	Chassis	
Schlage	ANSI	Description	Page	Page
ND96EL	<p>Vandlgard® storeroom lock, electrically locked outside lever (fail safe)</p> <ul style="list-style-type: none"> • Lever with key cylinder outside; lever inside; deadlatch • Powered state: outside lever continuously locked (when in EL mode) • Vandlgard® feature allows outside lever, when locked, to rotate without engaging latch • When power is removed (via switch or power failure), in EL mode either lever will retract latch • Key outside retracts latch but cannot change the normal locked or unlocked state of the outside lever • Inside lever always free for immediate egress <p>Note: Auto detects 12 or 24V DC. Chassis mounted switch allows field selectable EL/EU setting.</p> <p>Ordering: unless EL or EU is specified, order will default to an EU setting. Optional RX function can be ordered configured by specifying RX under special options or add later using kit part N123-062.</p>		97	52
ND96EU	<p>Vandlgard® storeroom lock, electrically unlocked outside lever (fail secure)</p> <ul style="list-style-type: none"> • Lever with key cylinder outside; lever inside; deadlatch • Powered state: outside lever continuously unlocked (when in EU mode) • When power is removed (via switch or power failure), in EU mode outside lever is locked • Vandlgard® feature allows outside lever, when locked, to rotate without engaging latch • Key outside retracts latch but cannot change the normal locked or unlocked state of the outside lever • Inside lever always free for immediate egress <p>Note: Auto detects 12 or 24V DC. Chassis mounted switch allows field selectable EL/EU setting.</p> <p>To order configured with Request to Exit (RX), specify RX under special options.</p>		97	52
ND97	<p>Vandlgard® corridor lock</p> <ul style="list-style-type: none"> • Lever with key cylinder outside; push button in lever inside; deadlatch • In unlocked state latch is retracted by either lever • Outside lever is made inoperative by pushing button on inside lever or by key outside; Vandlgard® allows outside lever to rotate freely when locked • When locked by pushed button: rotating inside lever retracts latch and releases button unlocking outside lever; closing door also unlocks preventing lock-out • When locked by key: rotating inside lever retracts latch but outside lever remains fixed until unlocked by key outside • Inside lever always free for immediate egress 		99	54

Note: Any function with a dead latch locks the latch bolt when door is closed. See page 5 for identification.

⚠ Caution: Double cylinder locks on residences and any door in any structure which is used for egress are a life safety hazard in times of emergency and their use is not recommended. Installation should be in accordance with existing codes only.

Lock assembly drawing index

Function		ANSI/BHMA A156.2, 2022, Series 4000, Grade 1	Trim	Chassis	
Schlage	ANSI	Description	Page	Page	
ND98	F110	<p>Vandlgard® classroom security lock (180-degree lockdown)</p> <ul style="list-style-type: none"> • Lever with key cylinder both sides; deadlatch • In unlocked state latch is retracted by either lever • Outside lever is made inoperative by rotating key in either lever 180 degrees counterclockwise and returning to start position; Vandlgard® allows outside lever to rotate freely when locked • Unlock outside lever by rotating key 180 degrees clockwise in either lever and returning to start position • Inside lever always free for immediate egress <p>Locks ordered in 626 finish come standard with instruction rose (47342586) identifying key rotation direction for rapid lockdown. Other finishes receive a standard rose.</p> <p>Note: Locks ordered with indicator trim fit 1¾" doors. Sold separate shim components allow application to doors 1⅝" to 1¾".</p>		<p>100</p> <p>IND 108</p>	55

Note: Any function with a dead latch locks the latch bolt when door is closed. See page 5 for identification.

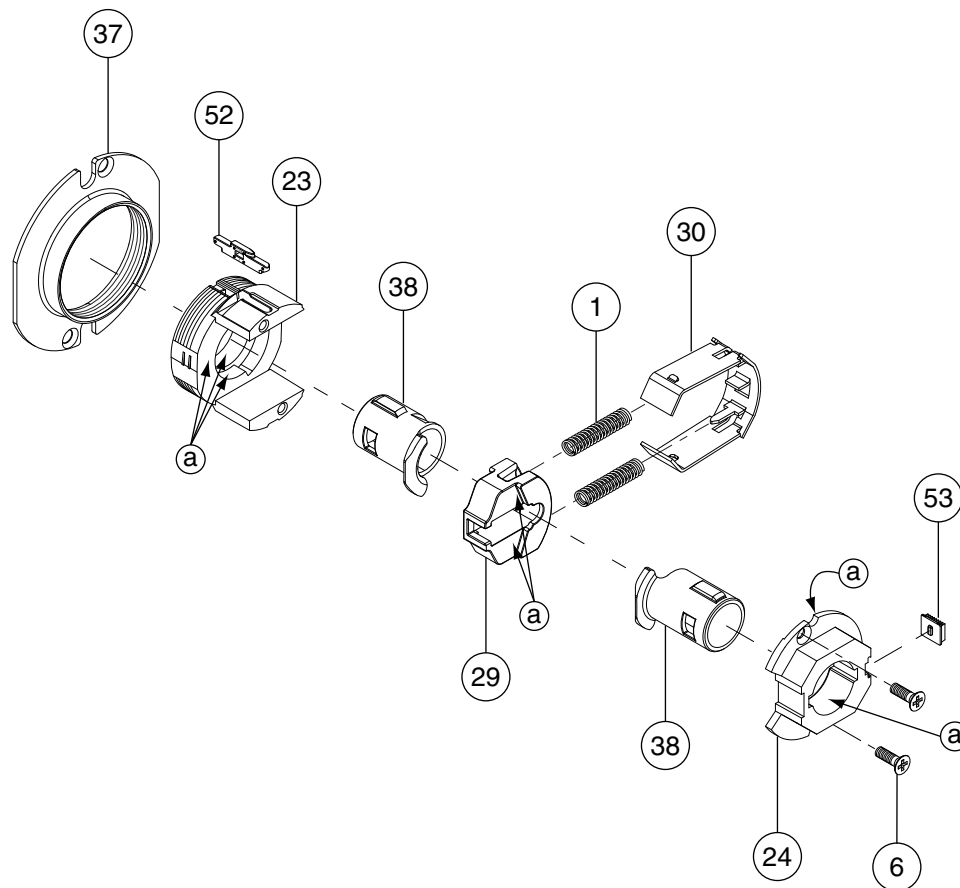
- ⚠ Caution: Double cylinder locks on residences and any door in any structure which is used for egress are a life safety hazard in times of emergency and their use is not recommended. Installation should be in accordance with existing codes only.

Chassis

- 17 Passage latch
- 18 Passage latch with request-to-exit
- 19 Exit lock
- 20 Exit lock with request-to-exit
- 21 Exit lock— electrically locked (fail safe) or electrically unlocked (fail secure)
- 22 Exit lock— electrically locked (fail safe) or electrically unlocked (fail secure) with request-to-exit
- 23 Exit lock with blank plate
- 24 Special— classroom exit lock
- 25 Special— storeroom exit lock
- 26 Patio, bath/bedroom privacy and hospital privacy lock
- 27 Time out lock with Vandlgard®
- 28 Entrance/office and entrance lock
- 29 Vestibule lock
- 30 Store lock
- 31 Classroom lock
- 32 Special— classroom by storeroom lock
- 33 Special— communicating lock
- 34 Special— communicating lock with Vandlgard®
- 35 Corridor lock
- 36 Classroom security lock
- 37 Classroom security lock (180-degree lockdown)
- 38 Storeroom lock
- 39 Storeroom lock with request-to-exit
- 40 Storeroom lock— electrically locked (fail safe) or electrically locked (fail safe)
- 41 Storeroom lock— electrically locked (fail safe) or electrically unlocked (fail secure) with request-to-exit
- 42 Accessible storeroom lock
- 43 Accessible storeroom lock with request-to-exit
- 44 Institution lock
- 45 Faculty restroom lock
- 46 Entrance/office and entrance lock with Vandlgard®
- 47 Vestibule lock with Vandlgard®
- 48 Classroom lock with Vandlgard®
- 49 Classroom security lock with Vandlgard®
- 50 Storeroom lock with Vandlgard®
- 51 Storeroom lock with Vandlgard® with request-to-exit
- 52 Storeroom lock with Vandlgard®— electrically locked (fail safe) or electrically unlocked (fail secure)
- 53 Storeroom lock with Vandlgard®— electrically locked (fail safe) or electrically unlocked (fail secure) with request-to-exit
- 54 Corridor lock with Vandlgard®
- 55 Classroom security lock with Vandlgard® (180-degree lockdown)

Passage latch

ND10



Ⓐ Apply light film of 100% synthetic grease on surfaces with brush.

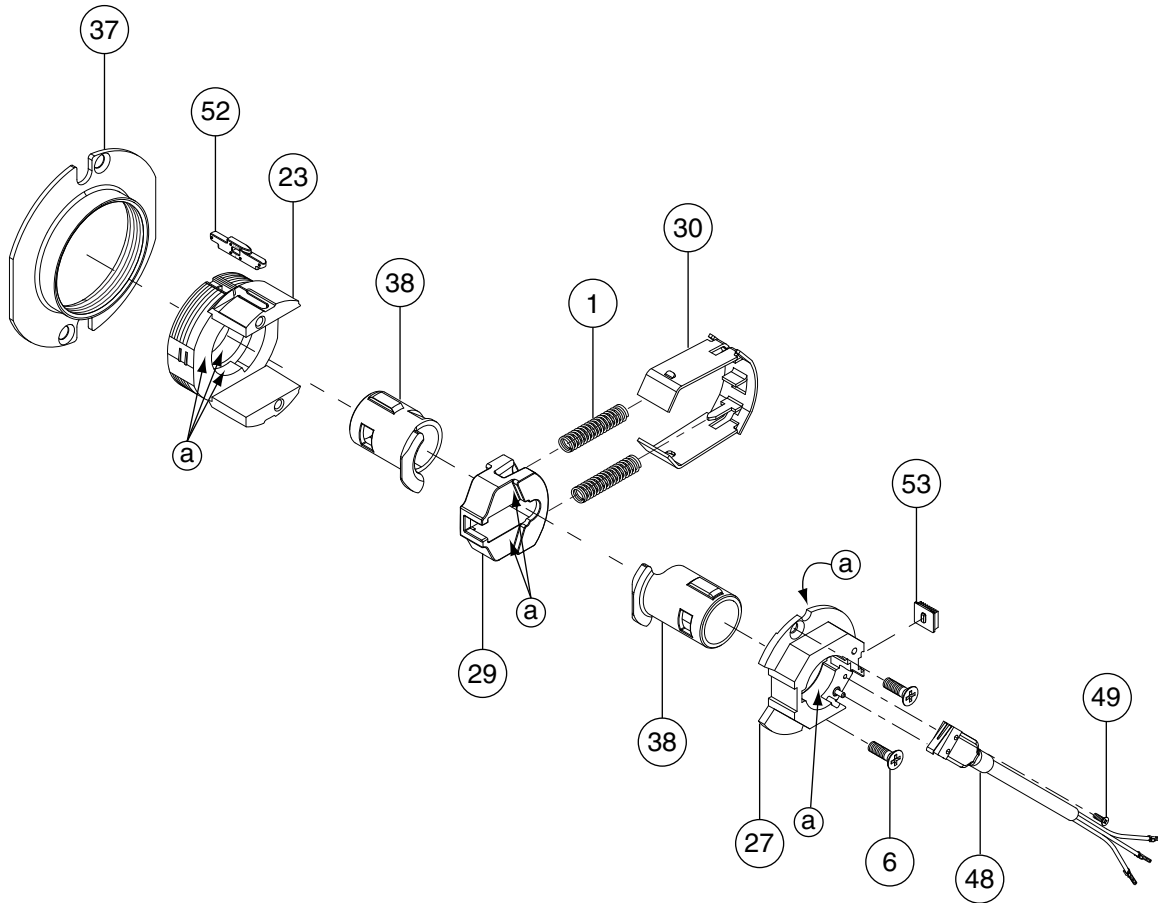
No.	Description	Part number
1	Slide spring	C503-019
6	Chassis screw	L583-454
23	Outside housing	24088544
24	Inside hub	24085037
29	Slide	N523-149

No.	Description	Part number
30	Slide clip	N523-025
37	Adjustment plate	N523-054
38	Spindle	N523-177
52	Gauge insert	23988066
53	Insert, inside hub	N523-160*

* Not sold separately as a part.

Passage latch with request-to-exit

ND10 RX



a Apply light film of 100% synthetic grease on surfaces with brush.

No.	Description	Part number
1	Slide spring	C503-019
6	Chassis screw	L583-454
23	Outside housing	24088544
27	Inside hub, electrified and RX	N623-017
29	Slide	N523-149
30	Slide clip	N523-025

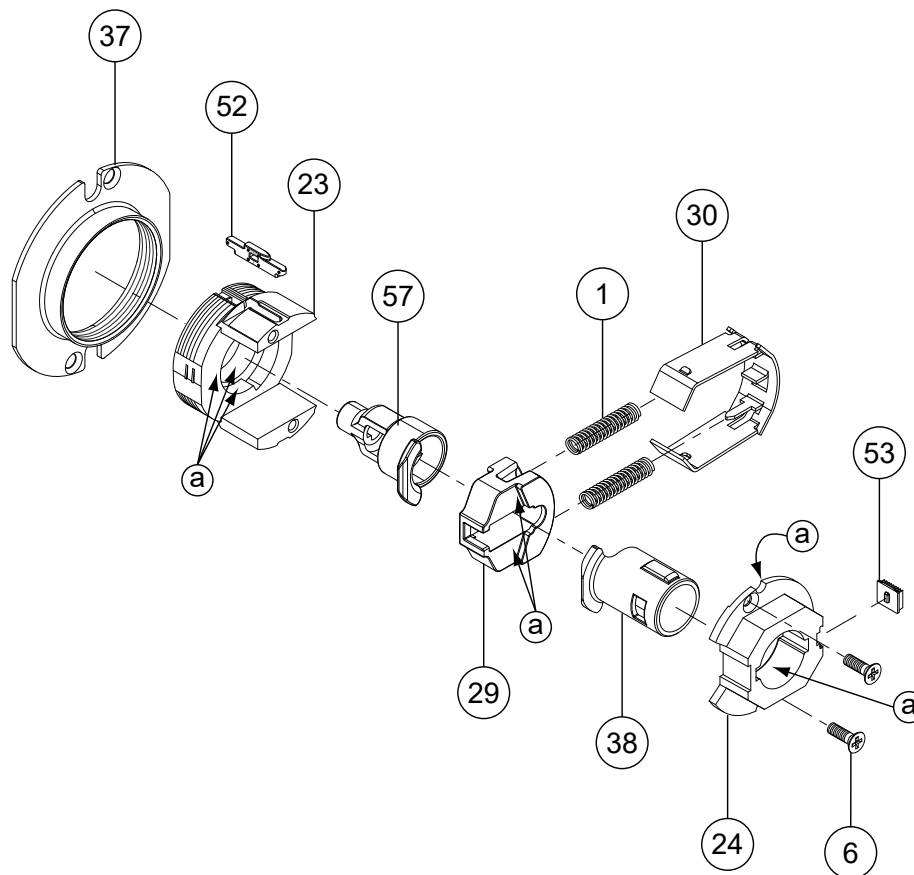
No.	Description	Part number
37	Adjustment plate	N523-054
38	Spindle	N523-177
48	RX harness	N523-194**
49	RX harness screw	N523-135
52	Gauge insert	23988066
53	Insert, inside hub	N523-160*

* Not sold separately as a part.

** For RX details, see **Request-to-exit feature** on page 125.

Exit lock

ND12



(a) Apply light film of 100% synthetic grease on surfaces with brush.

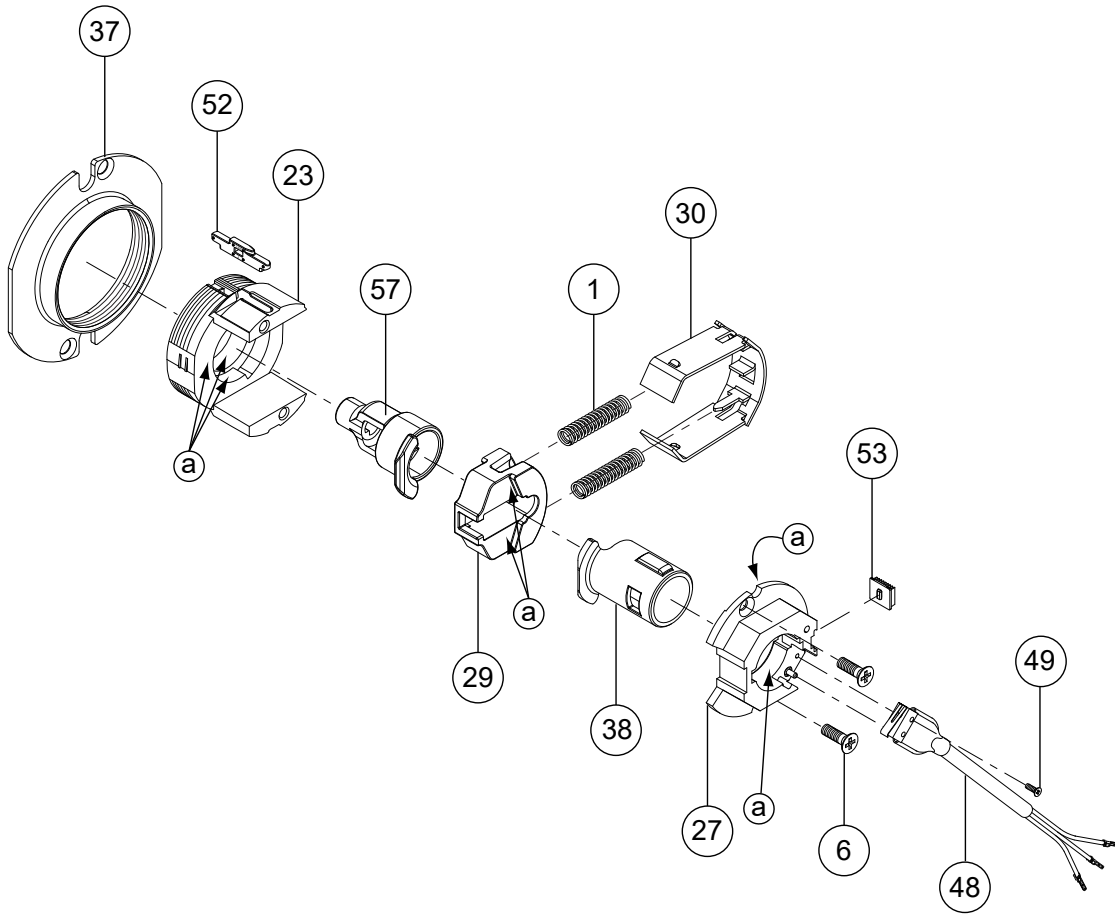
No.	Description	Part number
1	Slide spring	C503-019
6	Chassis screw	L583-454
23	Outside housing	24088544
24	Inside hub	24085037
29	Slide	N523-149
30	Slide clip	N523-025

No.	Description	Part number
37	Adjustment plate	N523-054
38	Spindle	N523-177
52	Gauge insert	23988066
53	Insert, inside hub	N523-160*
57	Spindle	47342286

* Not sold separately as a part.

Exit lock with request-to-exit

ND12 RX



(a) Apply light film of 100% synthetic grease on surfaces with brush.

No.	Description	Part number
1	Slide spring	C503-019
6	Chassis screw	L583-454
23	Outside housing	24088544
27	Inside hub, electrified and RX	N623-017
29	Slide	N523-149
30	Slide clip	N523-025
37	Adjustment plate	N523-054

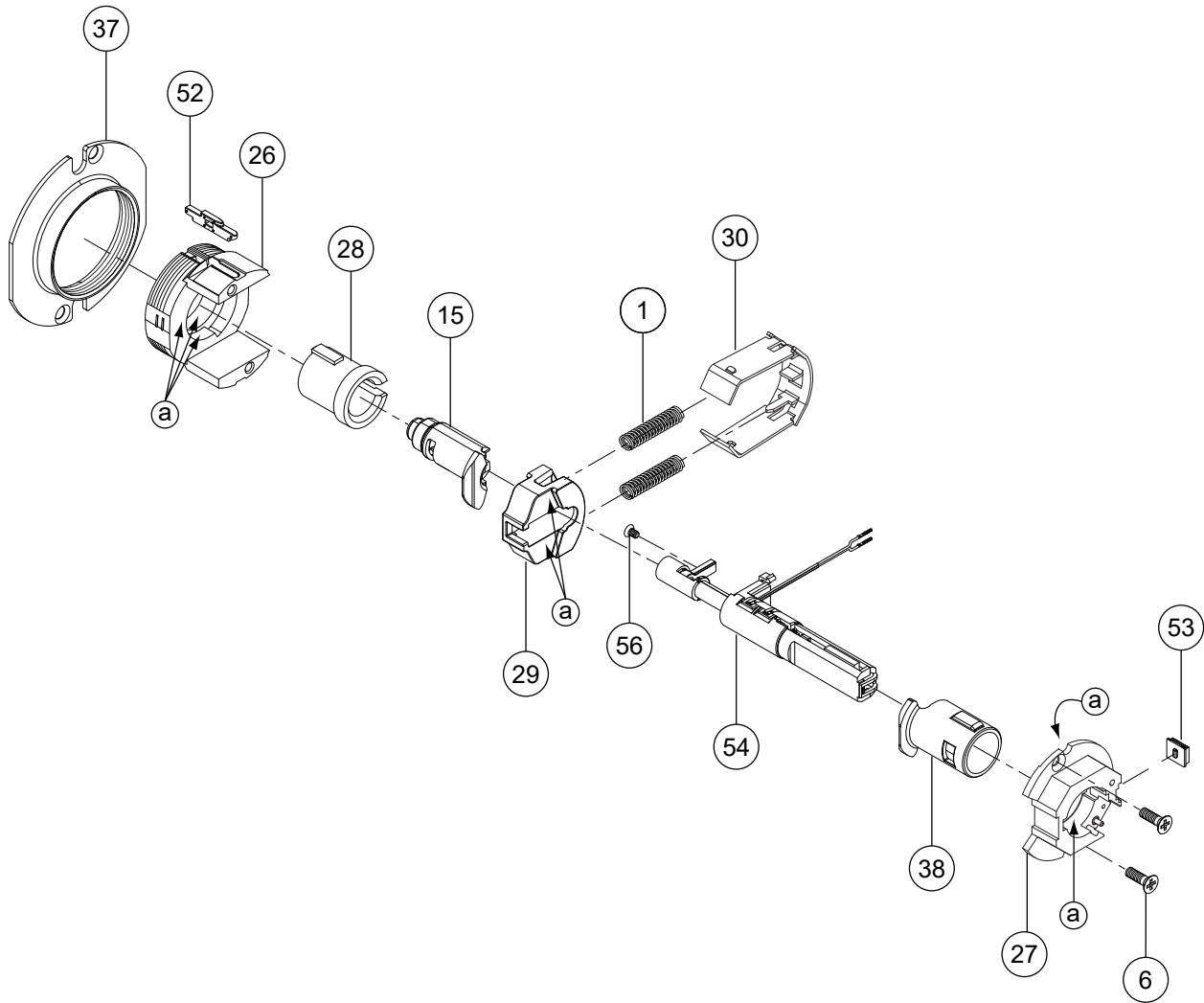
No.	Description	Part number
38	inside spindle	N523-177
48	RX harness	N523-194**
49	RX harness screw	N523-135
52	Gauge insert	23988066
53	Insert, inside hub	N523-160*
57	Spindle	47342286

* Not sold separately as a part.

** For RX details, see **Request-to-exit feature** on page 125.

Exit lock— electrically locked (fail safe) or electrically unlocked (fail secure)

ND12EL or ND12EU



Ⓐ Apply light film of 100% synthetic grease on surfaces with brush.

No.	Description	Part number
1	Slide spring	C503-019
6	Chassis screw	L583-454
15	Electrified keycam assembly	N223-066
26	Outside electrified housing	24088551
27	Inside hub, electrified and RX	N623-017
28	Outside electrified spindle	N523-019
29	Slide	N523-149

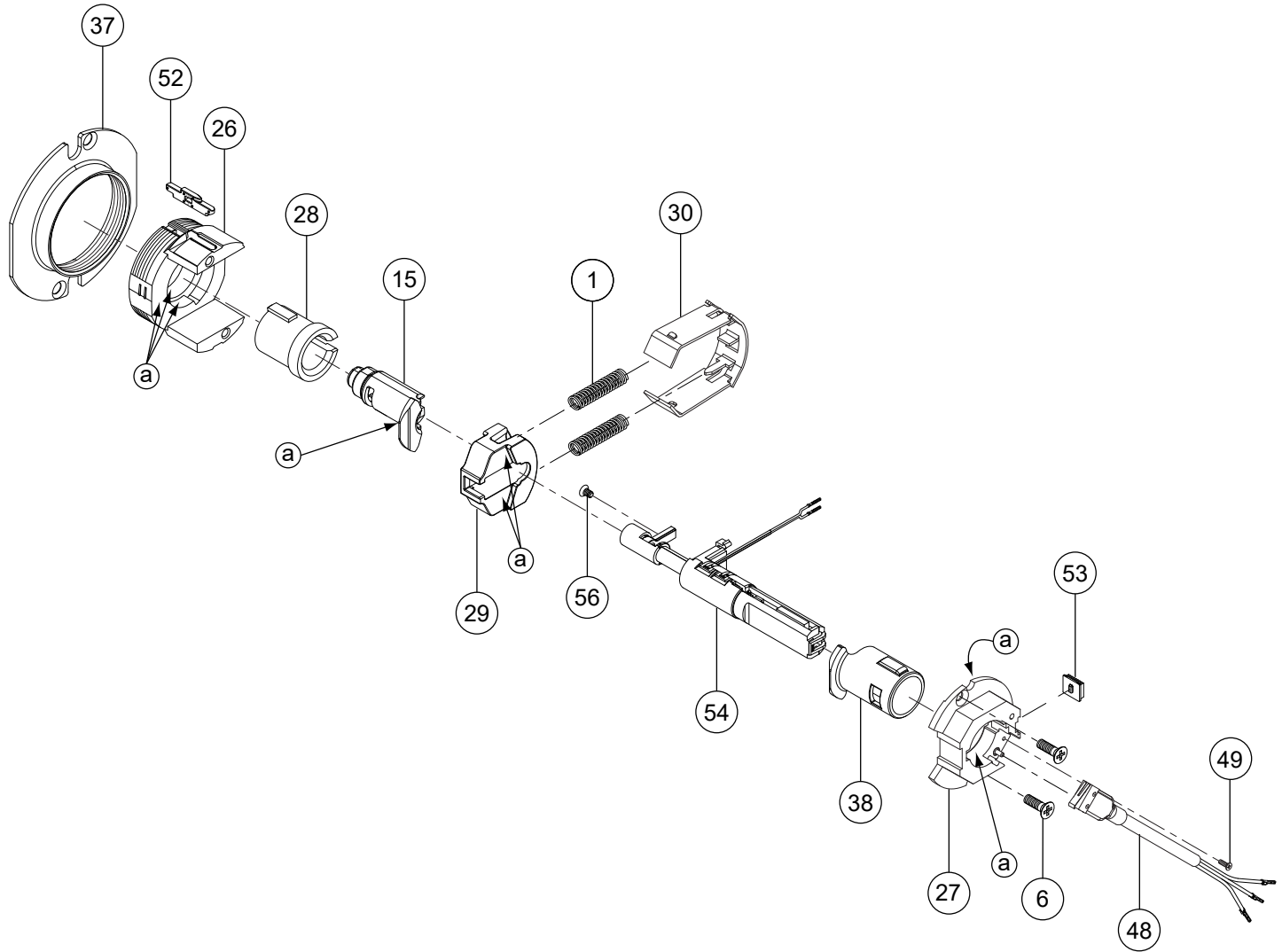
No.	Description	Part number
30	Slide clip	N523-025
37	Adjustment plate	N523-054
38	Inside spindle	N523-177
52	Gauge insert	23988066
53	Insert, inside hub	N523-160*
54	Electrified motor assembly	47813463**
56	Motor assembly screw	N623-030

* Not sold separately as a part.

** For electrified lock details, see **Electrified locks** on page 124.

Exit lock— electrically locked (fail safe) or electrically unlocked (fail secure) with request-to-exit

ND12EL RX or ND12EU RX



(a) Apply light film of 100% synthetic grease on surfaces with brush.

No.	Description	Part number
1	Slide spring	C503-019
6	Chassis screw	L583-454
15	Electrified keycam assembly	N223-066
26	Outside electrified housing	24088551
27	Inside hub, electrified and RX	N623-017
28	Outside electrified spindle	N523-019
29	Slide	N523-149
30	Slide clip	N523-025

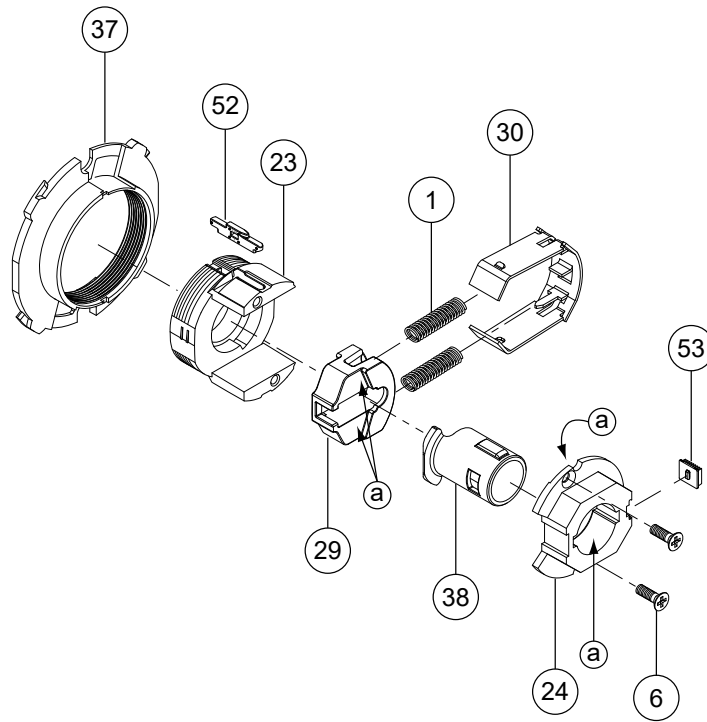
No.	Description	Part number
37	Adjustment plate	N523-054
38	Inside spindle	N523-177
48	RX harness	N523-194**
49	RX harness screw	N523-135
52	Gauge insert	23988066
53	Insert, inside hub	N523-160*
54	Electrified motor assembly	47813463**
56	Motor assembly screw	N623-030

* Not sold separately as a part.

** For RX details, see **Request-to-exit feature** on page 125. For electrified lock details, see **Electrified locks** on page 124.

Exit lock with blank plate

ND25



(a) Apply light film of 100% synthetic grease on surfaces with brush.

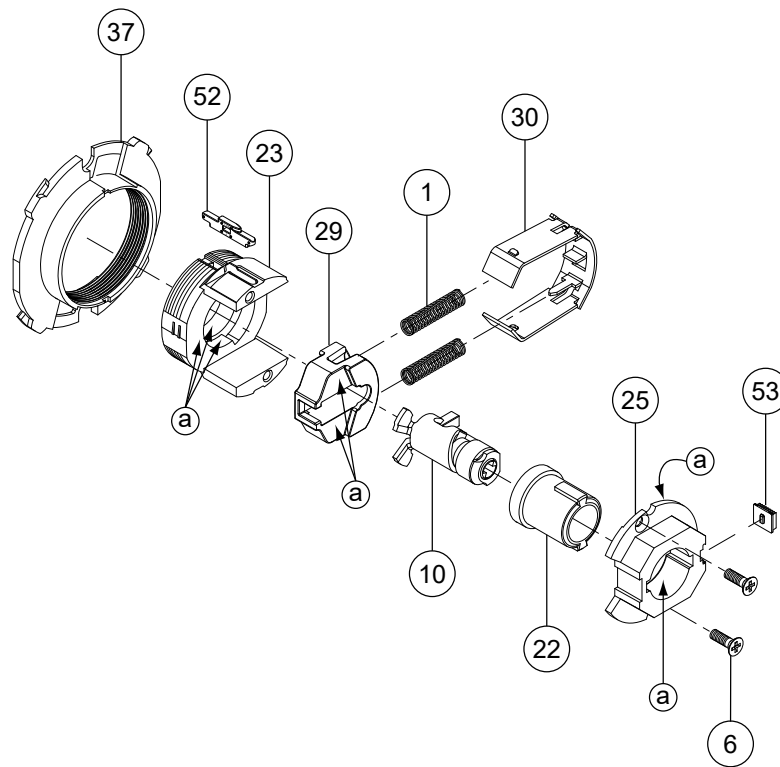
No.	Description	Part number
1	Slide spring	C503-019
6	Chassis screw	L583-454
23	Outside housing	24088544
24	Inside hub	24085037
29	Slide	N523-149

No.	Description	Part number
30	Slide clip	N523-025
37	Adjustment plate	N623-029
38	Spindle	N523-177
52	Gauge insert	23988066
53	Insert, inside hub	N523-160*

* Not sold separately as a part.

Special— classroom exit lock

ND25X70



Ⓐ Apply light film of 100% synthetic grease on surfaces with brush.

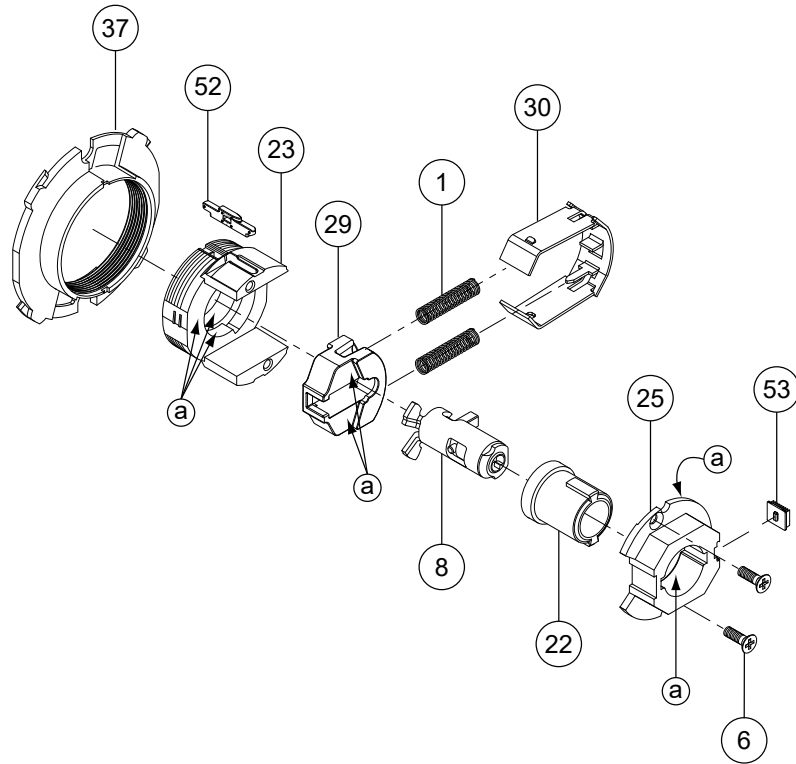
No.	Description	Part number
1	Slide spring	C503-019
6	Chassis screw	L583-454
10	Keycam assembly	N123-010
22	Spindle	N523-013
23	Outside housing	24088544
25	Inside hub	24085060

No.	Description	Part number
29	Slide	N523-149
30	Slide clip	N523-025
37	Adjustment plate	N623-029
52	Gauge insert	23988066
53	Insert, inside hub	N523-160*

* Not sold separately as a part.

Special— storeroom exit lock

ND25X80



(a) Apply light film of 100% synthetic grease on surfaces with brush.

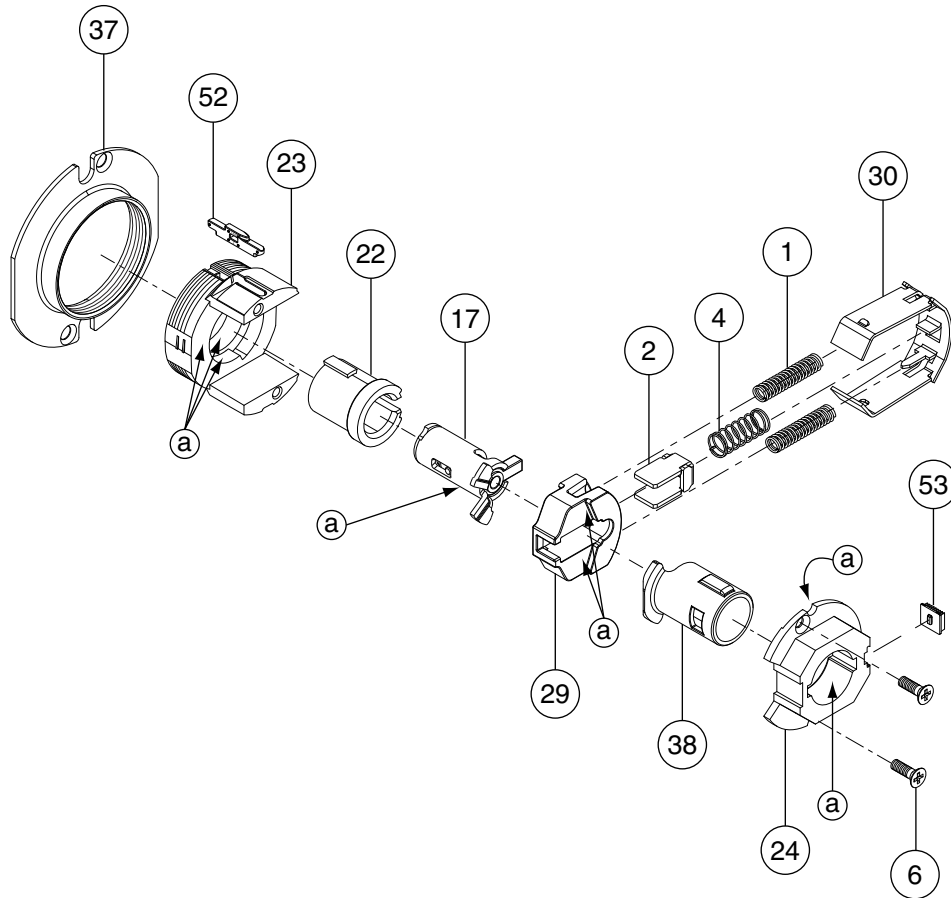
No.	Description	Part number
1	Slide spring	C503-019
6	Chassis screw	L583-454
8	Keycam assembly	N123-008
22	Spindle	N523-013
23	Outside housing	24088544
25	Inside hub	24085060

No.	Description	Part number
29	Slide	N523-149
30	Slide clip	N523-025
37	Adjustment plate	N623-029
52	Gauge insert	23988066
53	Insert, inside hub	N523-160*

* Not sold separately as a part.

Patio, bath/bedroom privacy and hospital privacy lock

ND30, ND40, and ND44



(a) Apply light film of 100% synthetic grease on surfaces with brush.

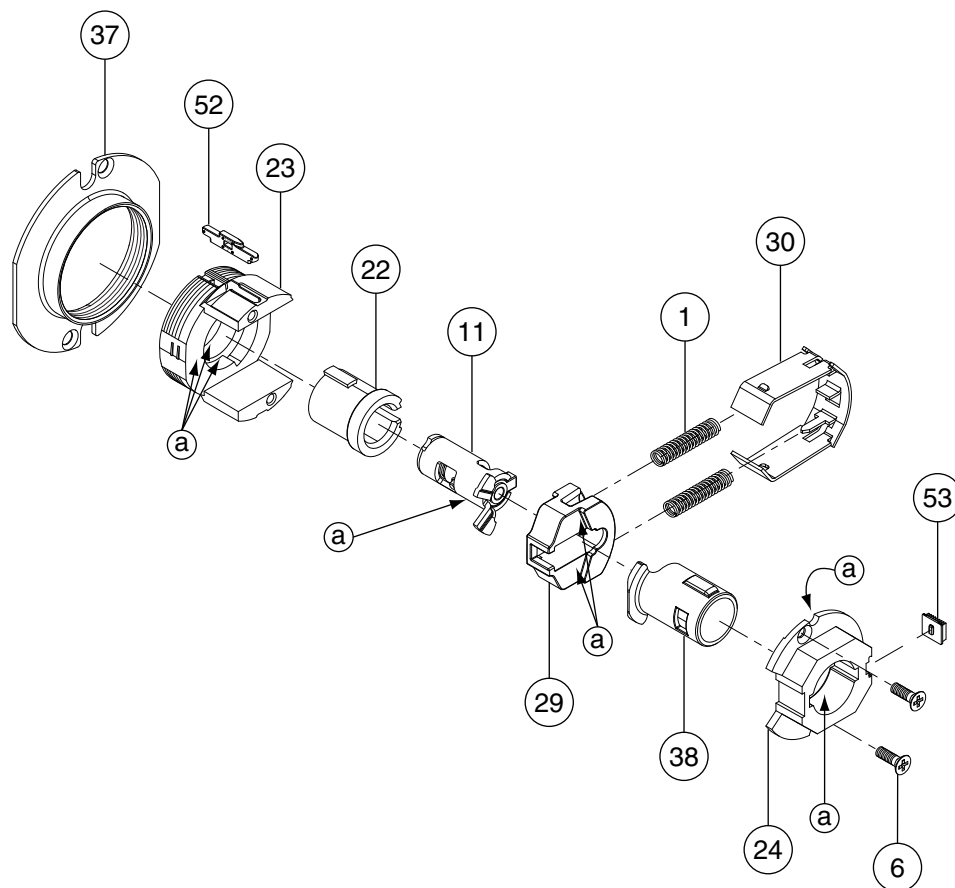
No.	Description	Part number
1	Slide spring	C503-019
2	Restoring slide catch	C604-187
4	Slide catch spring	C604-191
6	Chassis screw	L583-454
17	Keycam assembly	N123-045
22	Spindle	N523-013
23	Outside housing	24088544

No.	Description	Part number
24	Inside hub	24085037
29	Slide	N523-149
30	Slide clip	N523-025
37	Adjustment plate	N523-054
38	Spindle	N523-177
52	Gauge insert	23988066
53	Insert, inside hub	N523-160*

* Not sold separately as a part.

Time out lock with Vandlgard®

ND45



Ⓐ Apply light film of 100% synthetic grease on surfaces with brush.

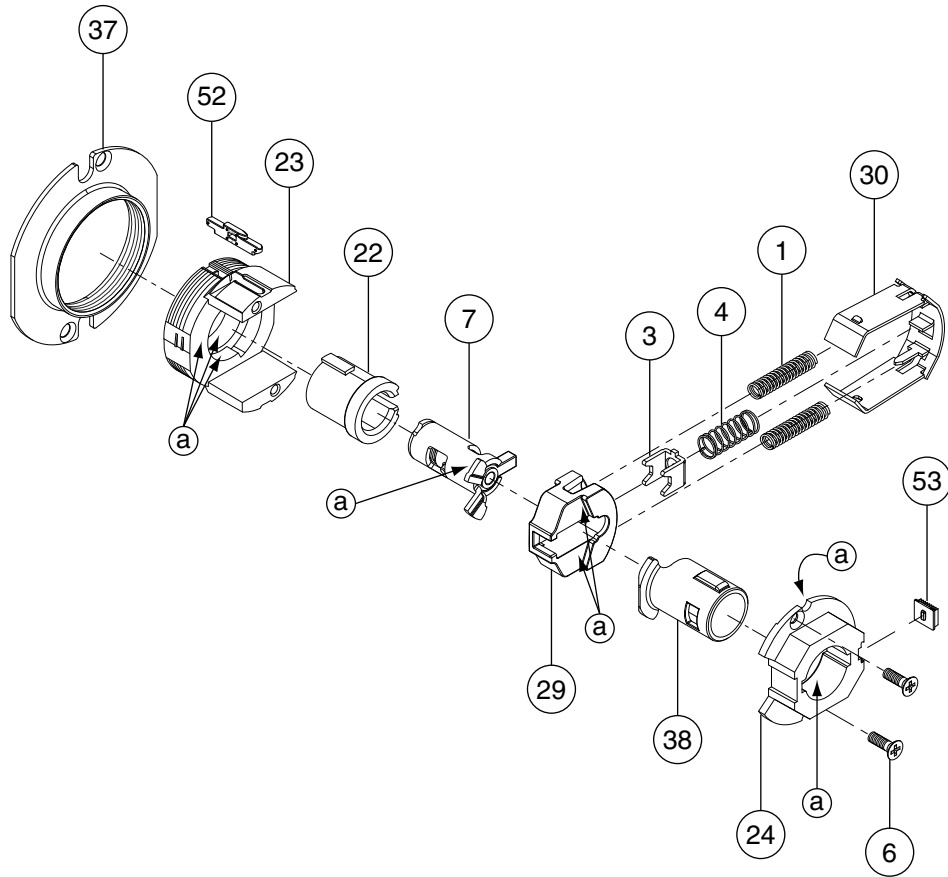
No.	Description	Part number
1	Slide spring	C503-019
6	Chassis screw	L583-454
11	Keycam assembly	N123-011
22	Spindle	N523-013
23	Outside housing	24088544
24	Inside hub	24085037

No.	Description	Part number
29	Slide	N523-149
30	Slide clip	N523-025
37	Adjustment plate	N523-054
38	Spindle	N523-177
52	Gauge insert	23988066
53	Insert, inside hub	N523-160*

* Not sold separately as a part.

Entrance/office and entrance lock

ND50 and ND53



Ⓐ Apply light film of 100% synthetic grease on surfaces with brush.

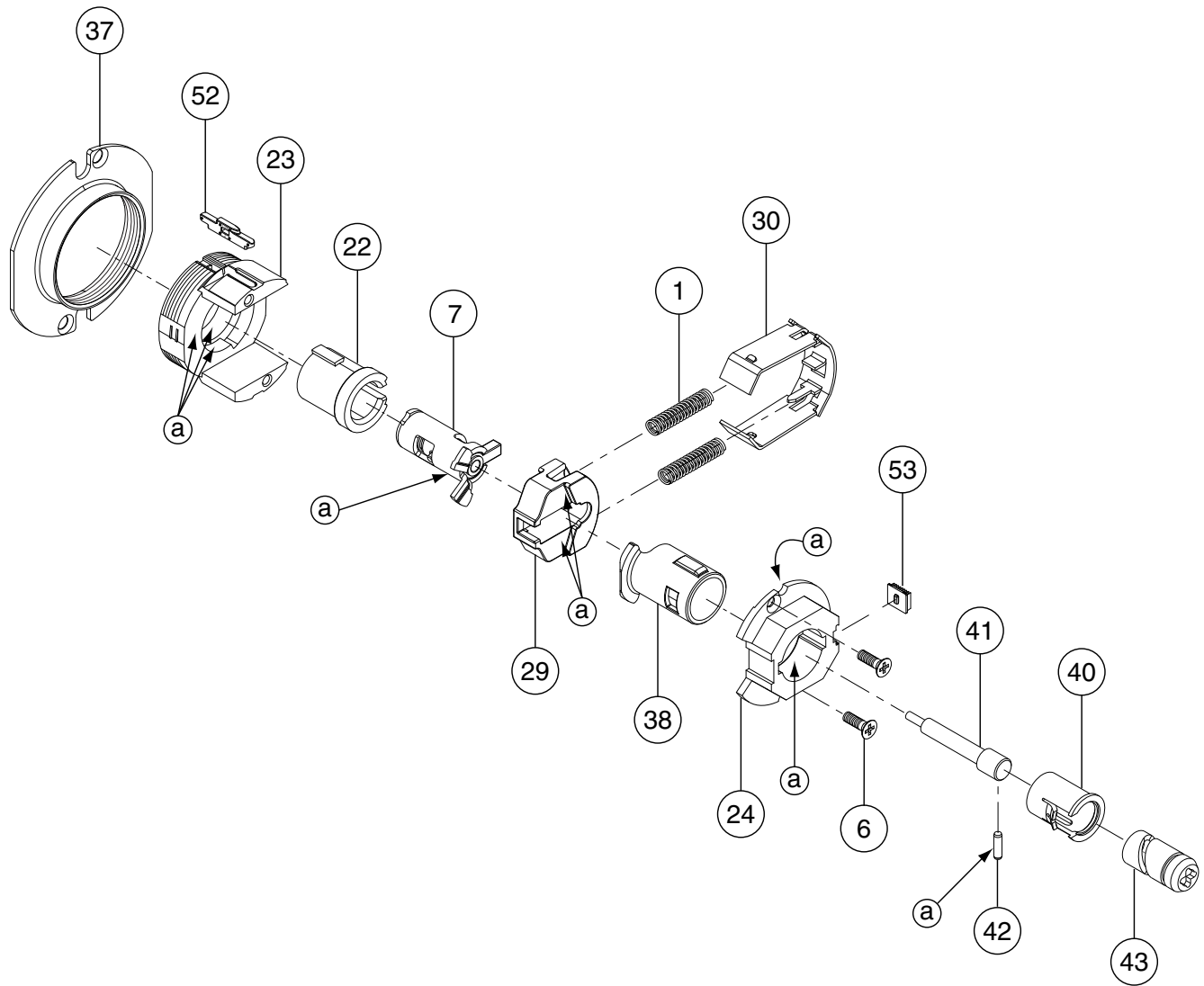
No.	Description	Part number
1	Slide spring	C503-019
3	Slide catch	C604-188
4	Slide catch spring	C604-191
6	Chassis screw	L583-454
7	Keycam assembly	N123-007
22	Spindle	N523-013
23	Outside housing	24088544

No.	Description	Part number
24	Inside hub	24085037
29	Slide	N523-149
30	Slide clip	N523-025
37	Adjustment plate	N523-054
38	Spindle	N523-177
52	Gauge insert	23988066
53	Insert, inside hub	N523-160*

* Not sold separately as a part.

Vestibule lock

ND60



(a) Apply light film of 100% synthetic grease on surfaces with brush.

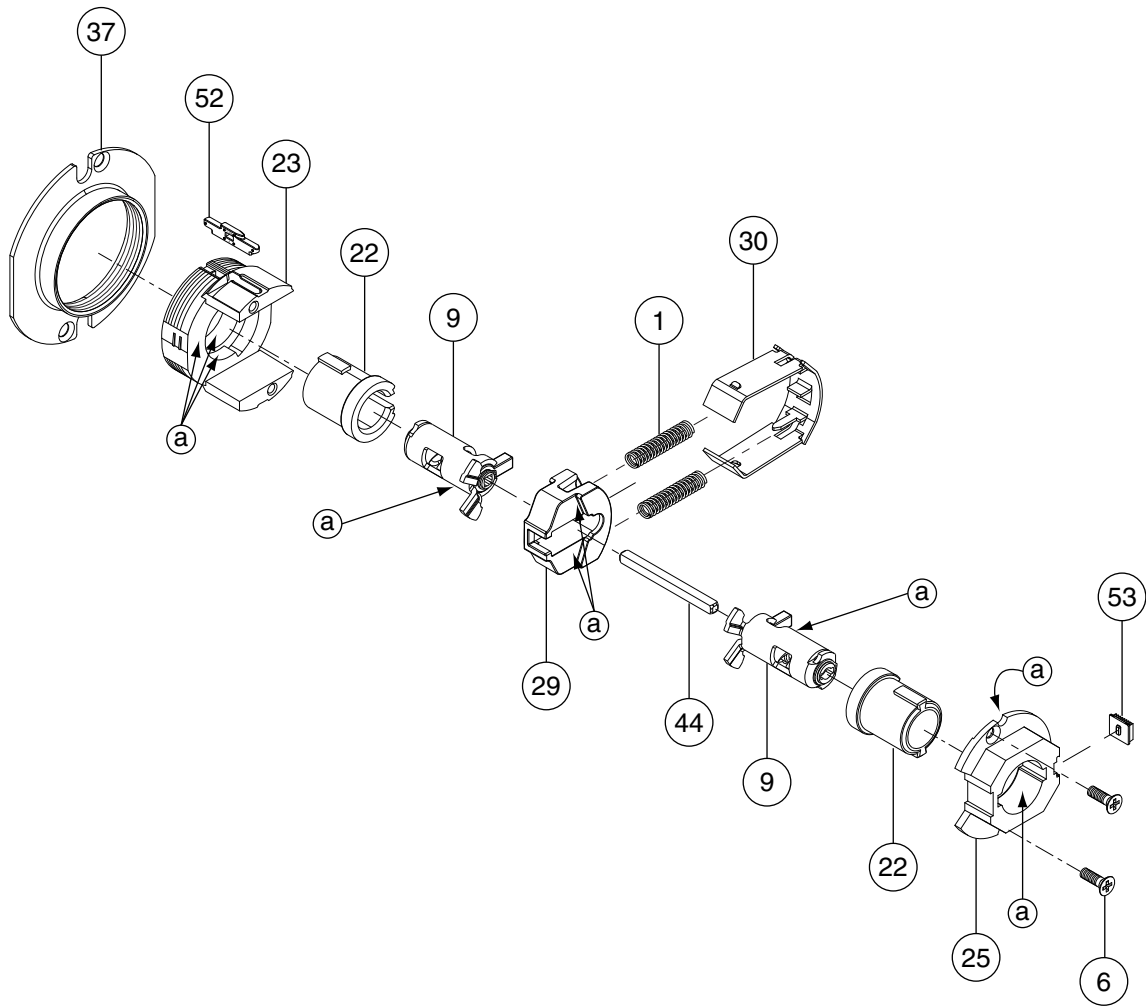
No.	Description	Part number
1	Slide spring	C503-019
6	Chassis screw	L583-454
7	Keycam assembly	N123-007
22	Spindle	N523-013
23	Outside housing	24088544
24	Inside hub	24085037
29	Slide	N523-149
30	Slide clip	N523-025

No.	Description	Part number
37	Adjustment plate	N523-054
38	Spindle	N523-177
40	Plunger sleeve	N523-063
41	Plunger	N523-064
42	Cam pin	N523-065
43	Cam	N523-066
52	Gauge insert	23988066
53	Insert, inside hub	N523-160*

* Not sold separately as a part.

Store lock

ND66



Ⓐ Apply light film of 100% synthetic grease on surfaces with brush.

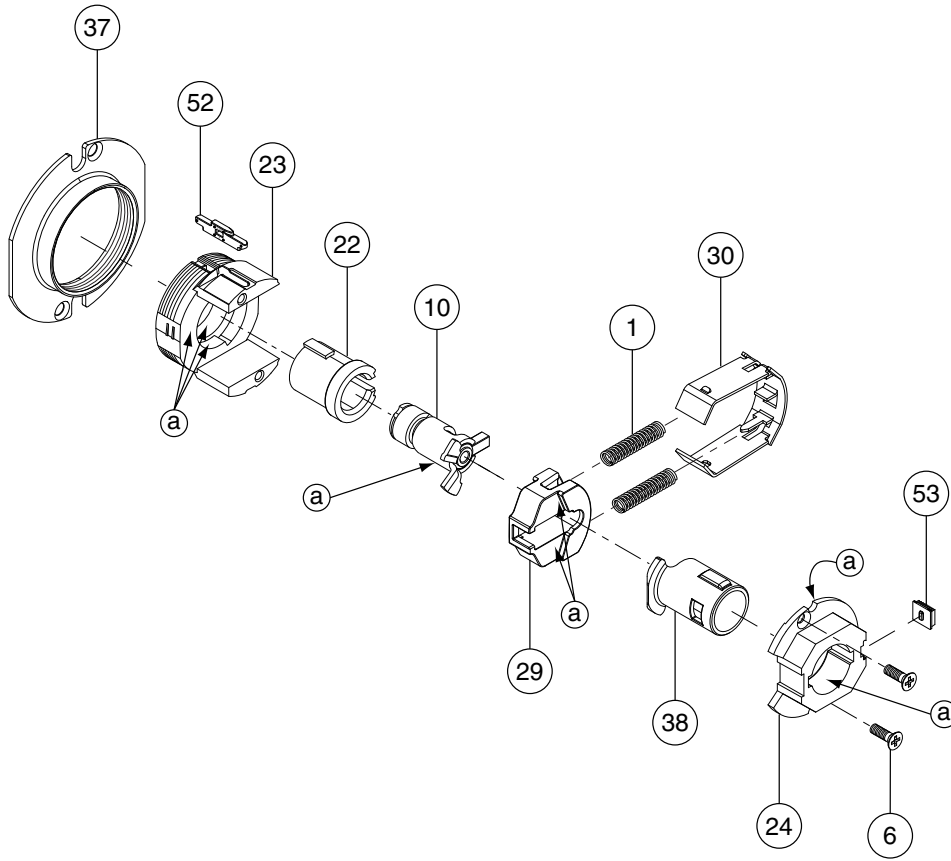
No.	Description	Part number
1	Slide spring	C503-019
6	Chassis screw	L583-454
9	Keycam assembly	N123-076
22	Spindle	N523-013
23	Outside housing	24088544
25	Inside hub	24085060

No.	Description	Part number
29	Slide	N523-149
30	Slide clip	N523-025
37	Adjustment plate	N523-054
44	Plunger bar	N523-067
52	Gauge insert	23988066
53	Insert, inside hub	N523-160*

* Not sold separately as a part.

Classroom lock

ND70



Ⓐ Apply light film of 100% synthetic grease on surfaces with brush.

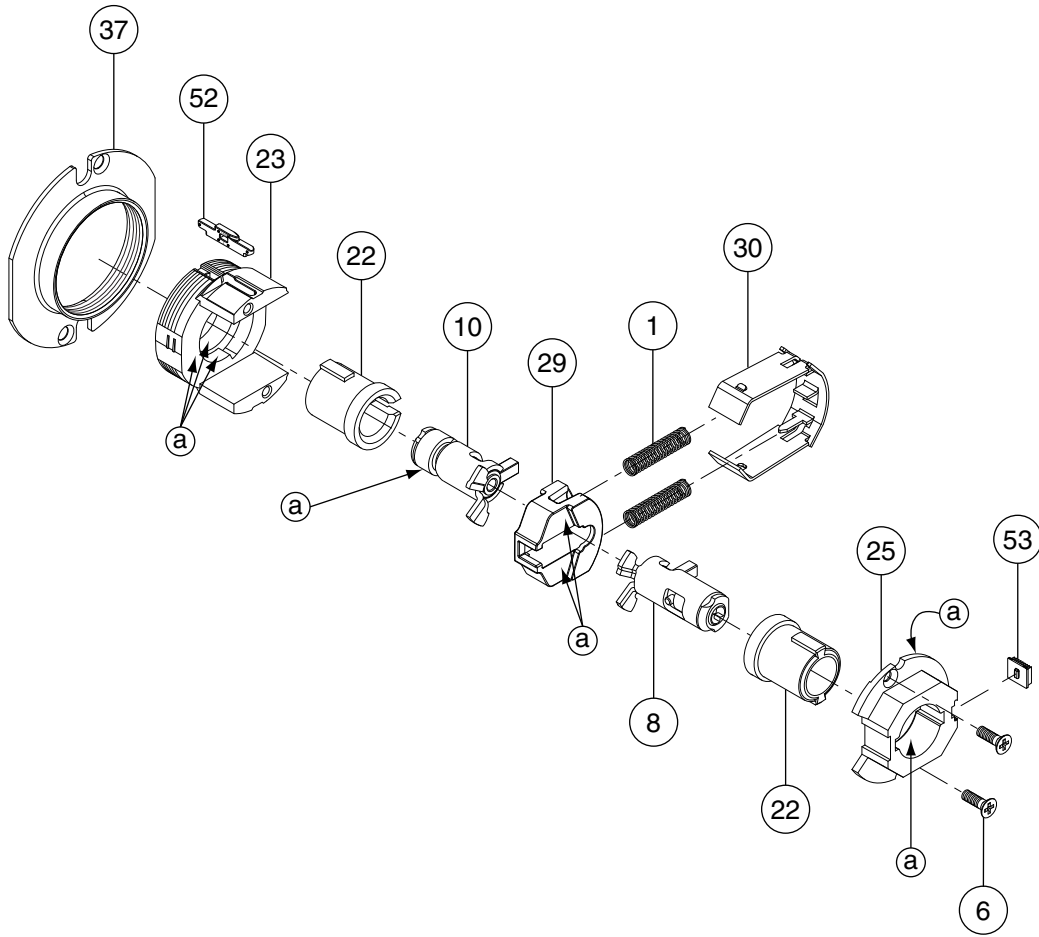
No.	Description	Part number
1	Slide spring	C503-019
6	Chassis screw	L583-454
10	Keycam assembly	N123-010
22	Spindle	N523-013
23	Outside housing	24088544
24	Inside hub	24085037

No.	Description	Part number
29	Slide	N523-149
30	Slide clip	N523-025
37	Adjustment plate	N523-054
38	Spindle	N523-177
52	Gauge insert	23988066
53	Insert, inside hub	N523-160*

* Not sold separately as a part.

Special— classroom by storeroom lock

ND70X80



a Apply light film of 100% synthetic grease on surfaces with brush.

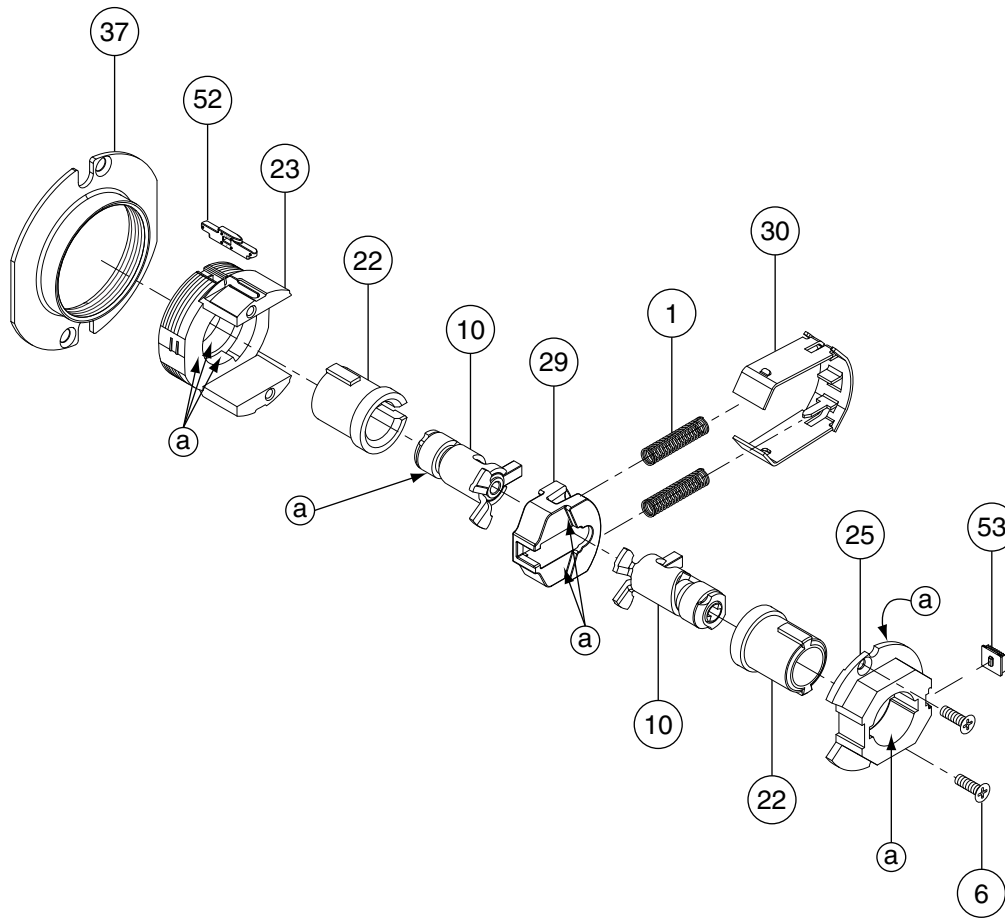
No.	Description	Part number
1	Slide spring	C503-019
6	Chassis screw	L583-454
8	Keycam assembly	N123-008
10	Keycam assembly	N123-010
22	Spindle	N523-013
23	Outside housing	24088544

No.	Description	Part number
25	Inside hub	24085060
29	Slide	N523-149
30	Slide clip	N523-025
37	Adjustment plate	N523-054
52	Gauge insert	23988066
53	Insert, inside hub	N523-160*

* Not sold separately as a part.

Special— communicating lock

ND72



(a) Apply light film of 100% synthetic grease on surfaces with brush.

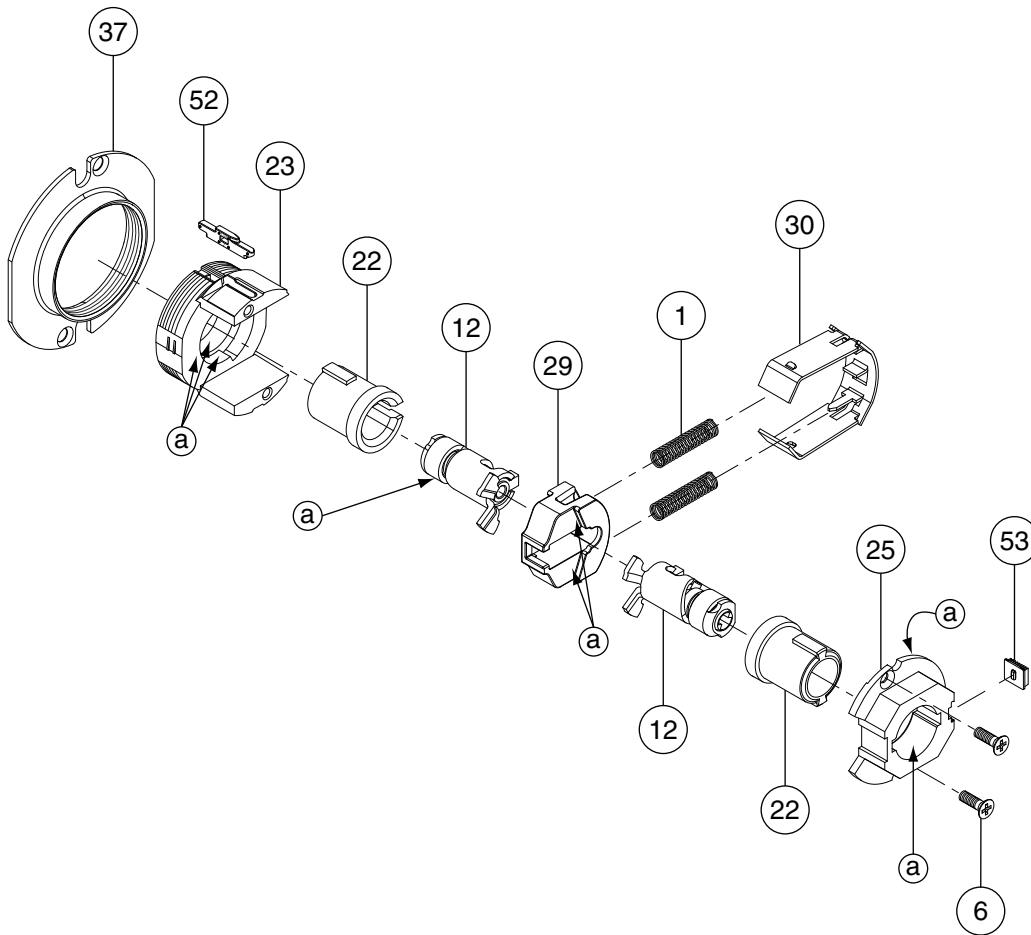
No.	Description	Part number
1	Slide spring	C503-019
6	Chassis screw	L583-454
10	Keycam assembly	N123-010
22	Spindle	N523-013
23	Outside housing	24088544
25	Inside hub	24085060

No.	Description	Part number
29	Slide	N523-149
30	Slide clip	N523-025
37	Adjustment plate	N523-054
52	Gauge insert	23988066
53	Insert, inside hub	N523-160*

* Not sold separately as a part.

Special— communicating lock with Vandlgard®

ND72 Vandlgard®



(a) Apply light film of 100% synthetic grease on surfaces with brush.

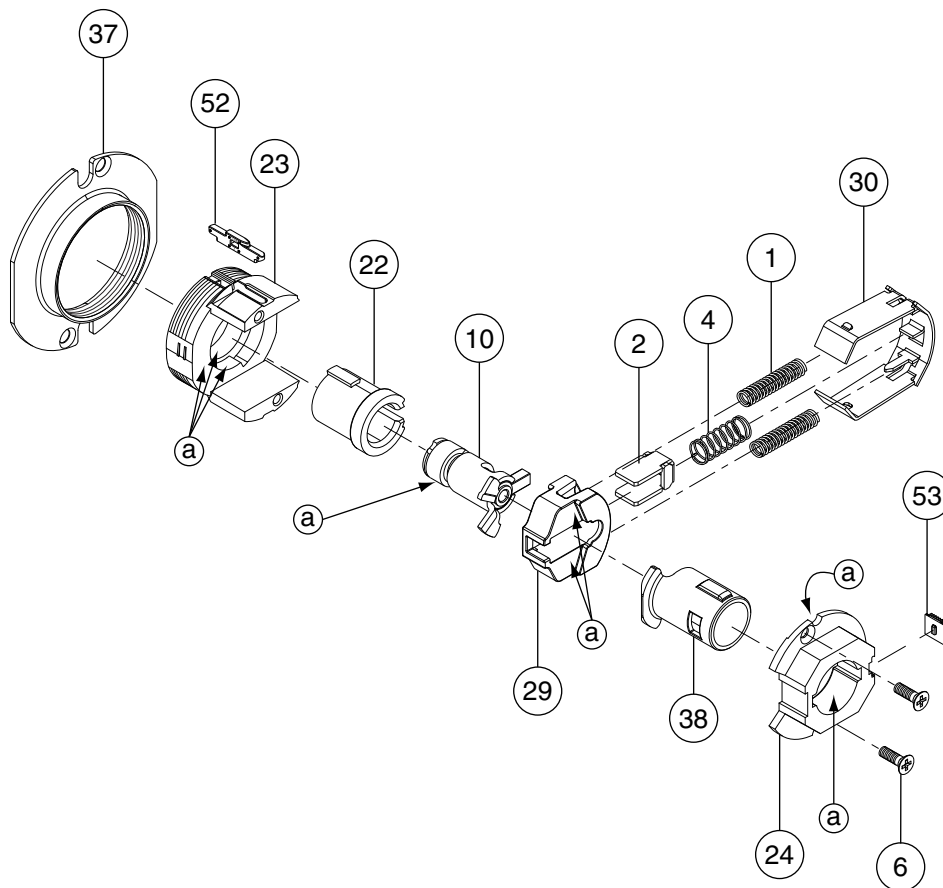
No.	Description	Part number
1	Slide spring	C503-019
6	Chassis screw	L583-454
12	Keycam assembly	N123-012
22	Spindle	N523-013
23	Outside housing	24088544
25	Inside hub	24085060

No.	Description	Part number
29	Slide	N523-149
30	Slide clip	N523-025
37	Adjustment plate	N523-054
52	Gauge insert	23988066
53	Insert, inside hub	N523-160*

* Not sold separately as a part.

Corridor lock

ND73



(a) Apply light film of 100% synthetic grease on surfaces with brush.

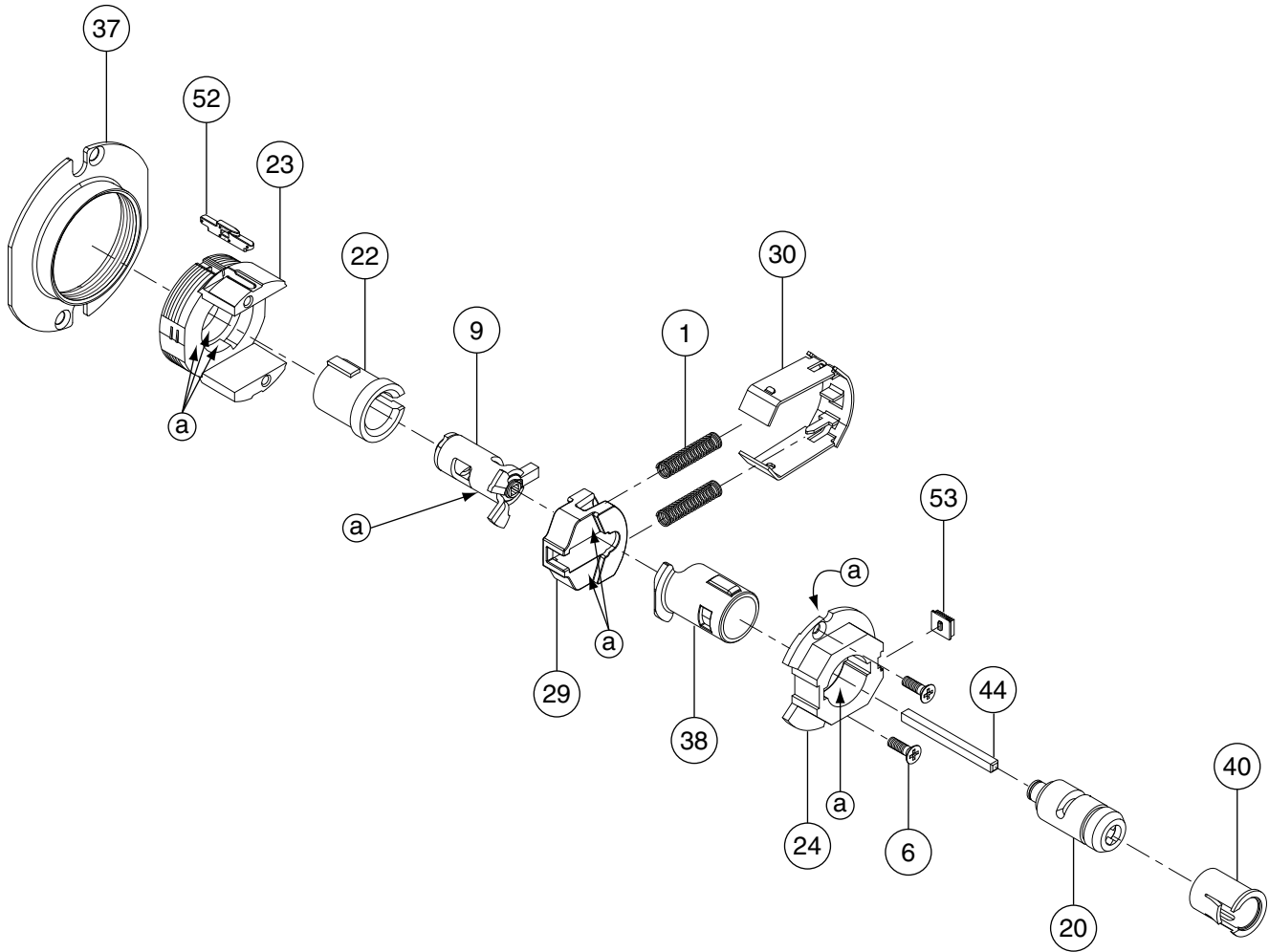
No.	Description	Part number
1	Slide spring	C503-019
2	Restoring slide catch	C604-187
4	Slide catch spring	C604-191
6	Chassis screw	L583-454
10	Keycam assembly	N123-010
22	Spindle	N523-013
23	Outside housing	24088544

No.	Description	Part number
24	Inside hub	24085037
29	Slide	N523-149
30	Slide clip	N523-025
37	Adjustment plate	N523-054
38	Spindle	N523-177
52	Gauge insert	23988066
53	Insert, inside hub	N523-160*

* Not sold separately as a part.

Classroom security lock

ND75



(a) Apply light film of 100% synthetic grease on surfaces with brush.

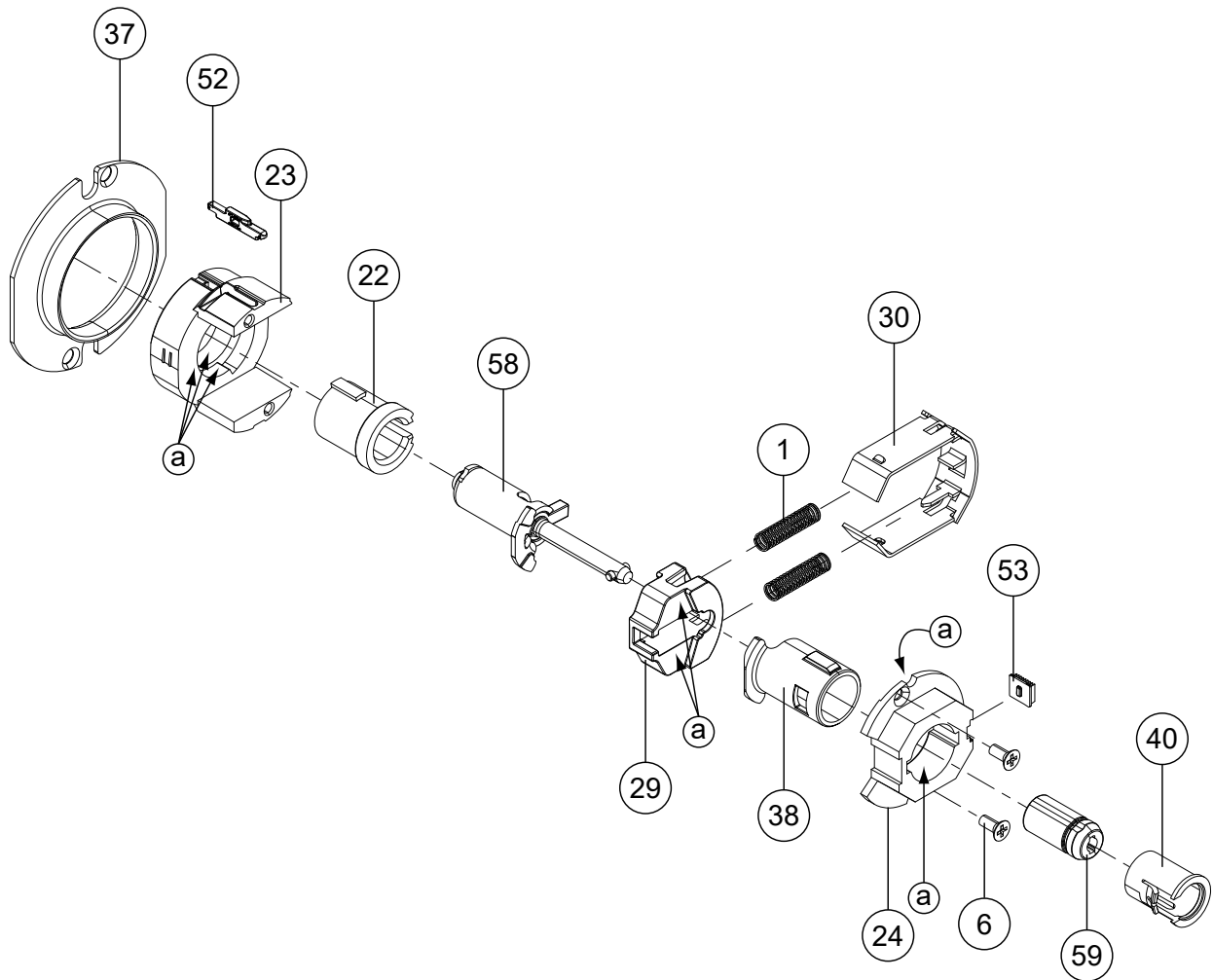
No.	Description	Part number
1	Slide spring	C503-019
6	Chassis screw	L583-454
9	Keycam assembly	N123-076
20	Inside cam	N123-059
22	Spindle	N523-013
23	Outside housing	24088544
24	Inside hub	24085037
29	Slide	N523-149

No.	Description	Part number
30	Slide clip	N523-025
37	Adjustment plate	N523-054
38	Spindle	N523-177
40	Plunger sleeve	N523-063
44	Plunger bar	N523-067
52	Gauge insert	23988066
53	Insert, inside hub	N523-160*

* Not sold separately as a part.

Classroom security lock (180-degree lockdown)

ND78



(a) Apply light film of 100% synthetic grease on surfaces with brush.

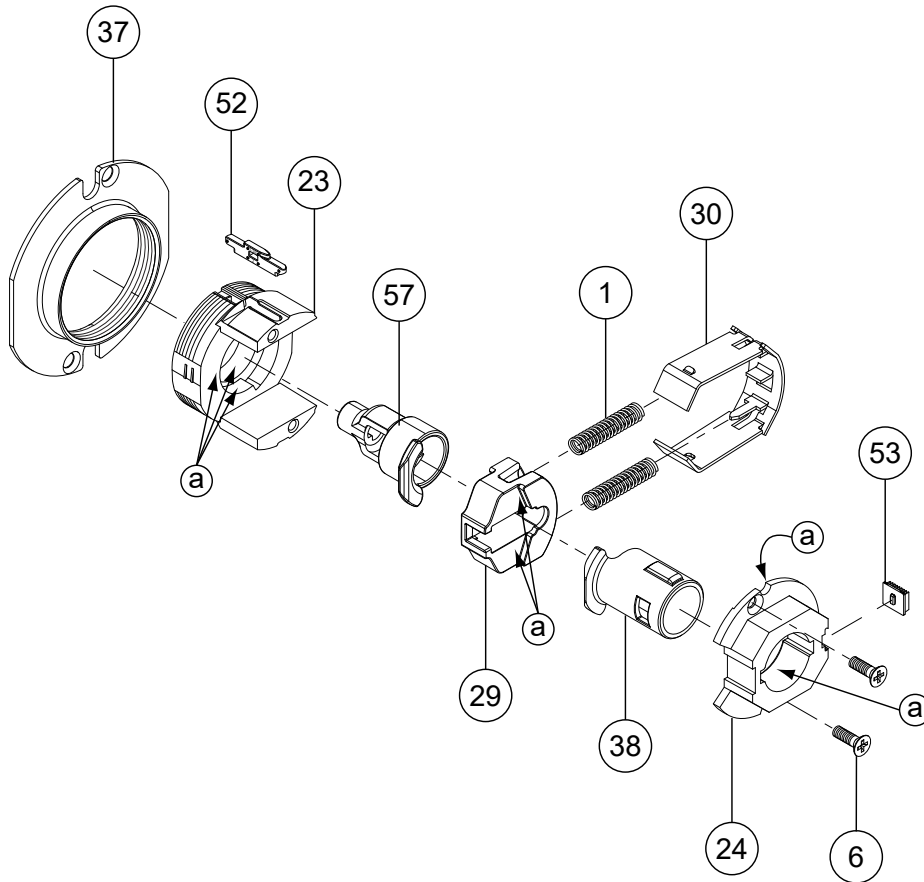
No.	Description	Part number
1	Slide spring	C503-019
6	Chassis screw	L583-454
22	Spindle	N523-013
23	Outside housing	24088544
24	Inside hub	24085037
29	Slide	N523-149
30	Slide clip	N523-025

No.	Description	Part number
37	Adjustment plate	N523-054
38	Spindle	N523-177
40	Plunger sleeve	N523-063
52	Gauge insert	23988066
53	Insert, inside hub	N523-160*
58	Keycam assembly	47278537
59	Plug	47278522

* Not sold separately as a part.

Storeroom lock

ND80



(a) Apply light film of 100% synthetic grease on surfaces with brush.

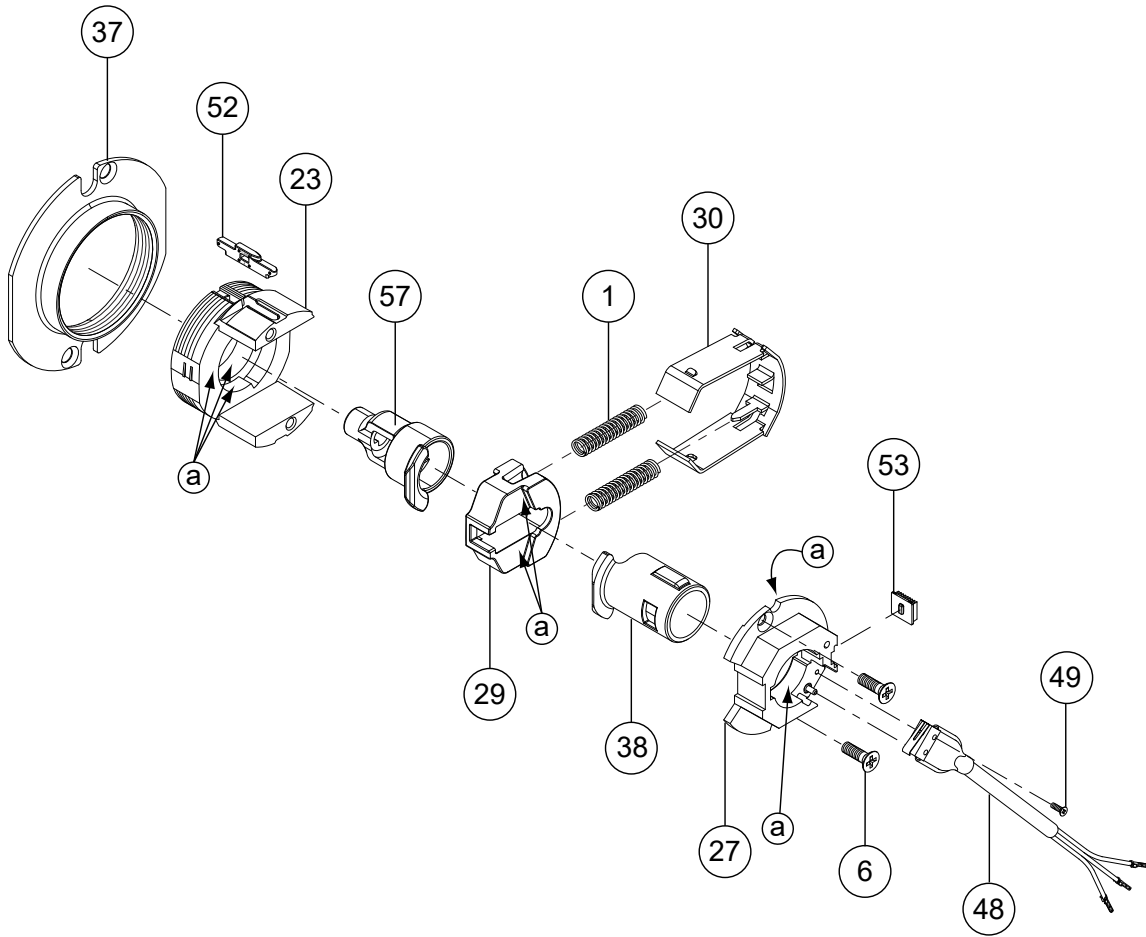
No.	Description	Part number
1	Slide spring	C503-019
6	Chassis screw	L583-454
23	Outside housing	24088544
24	Inside hub	24085037
29	Slide	N523-149
30	Slide clip	N523-025

No.	Description	Part number
37	Adjustment plate	N523-054
38	Spindle	N523-177
52	Gauge insert	23988066
53	Insert, inside hub	N523-160*
57	Spindle	47342286

* Not sold separately as a part.

Storeroom lock with request-to-exit

ND80 RX



a) Apply light film of 100% synthetic grease on surfaces with brush.

No.	Description	Part number
1	Slide spring	C503-019
6	Chassis screw	L583-454
22	Spindle	47342286
23	Outside housing	24088544
27	Inside hub, electrified and RX	N623-017
29	Slide	N523-149
30	Slide clip	N523-025

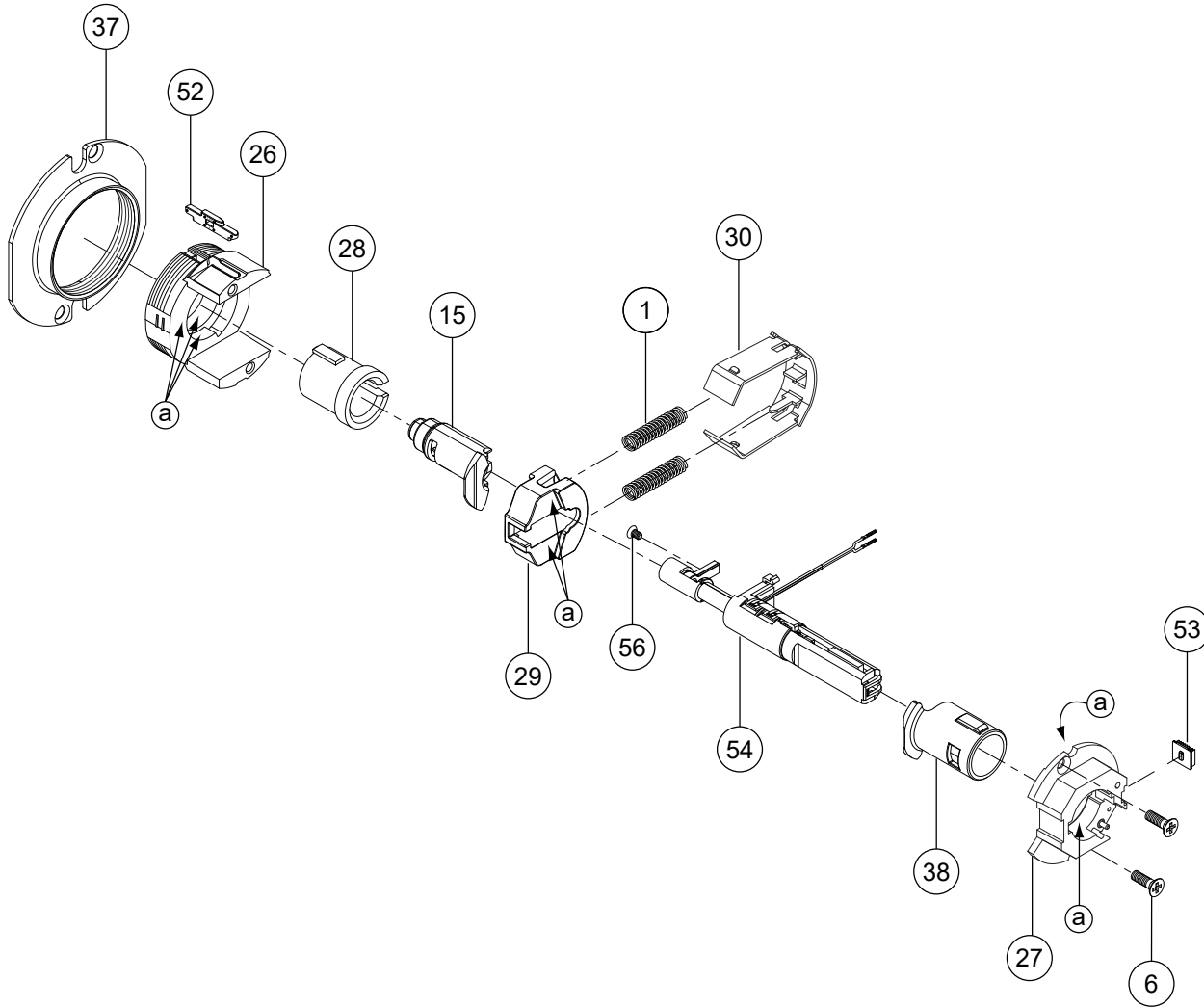
No.	Description	Part number
37	Adjustment plate	N523-054
48	RX harness	N523-194**
49	RX harness screw	N523-135
38	Inside spindle	N523-177
52	Gauge insert	23988066
53	Insert, inside hub	N523-160*
57	Spindle	47342286

* Not sold separately as a part.

** For RX details, see Request-to-exit feature on page 125.

Storeroom lock— electrically locked (fail safe) or electrically locked (fail safe)

ND80EL or ND80EU



(a) Apply light film of 100% synthetic grease on surfaces with brush.

No.	Description	Part number
1	Slide spring	C503-019
6	Chassis screw	L583-454
15	Electrified keycam assembly	N223-066
26	Outside electrified housing	24088551
27	Inside hub, electrified and RX	N623-017
28	Outside electrified spindle	N523-019
29	Slide	N523-149

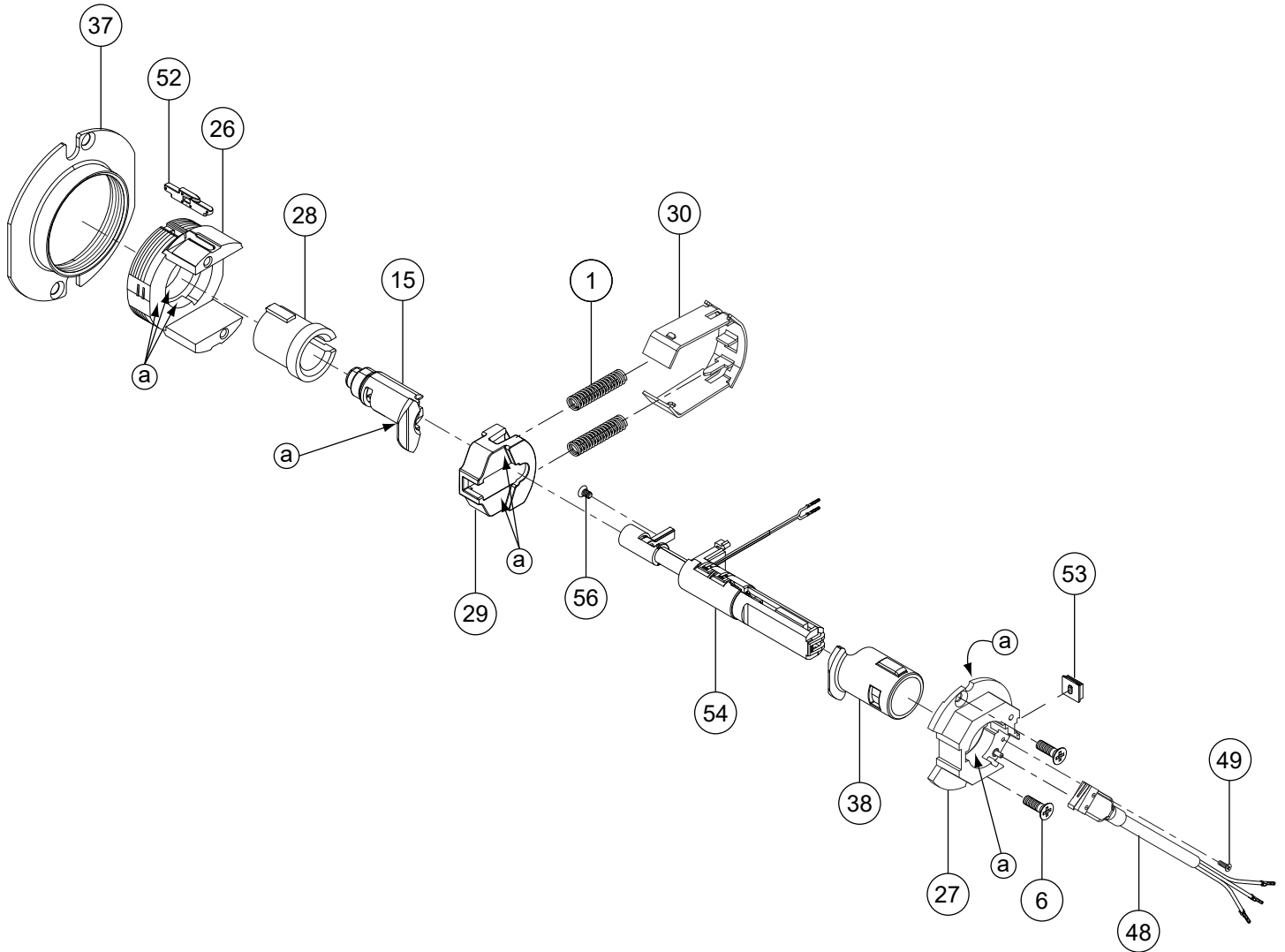
No.	Description	Part number
30	Slide clip	N523-025
37	Adjustment plate	N523-054
38	Inside spindle	N523-177
52	Gauge insert	23988066
53	Insert, inside hub	N523-160*
54	Electrified motor assembly	47813463**
56	Motor assembly screw	N623-030

* Not sold separately as a part.

** For electrified lock details, see **Electrified locks** on page 124.

Storeroom lock— electrically locked (fail safe) or electrically unlocked (fail secure) with request-to-exit

ND80EL RX or ND80EU RX



(a) Apply light film of 100% synthetic grease on surfaces with brush.

No.	Description	Part number
1	Slide spring	C503-019
6	Chassis screw	L583-454
15	Electrified keycam assembly	N223-066
26	Outside electrified housing	24088551
27	Inside hub, electrified and RX	N623-017
28	Outside electrified spindle	N523-019
29	Slide	N523-149
30	Slide clip	N523-025

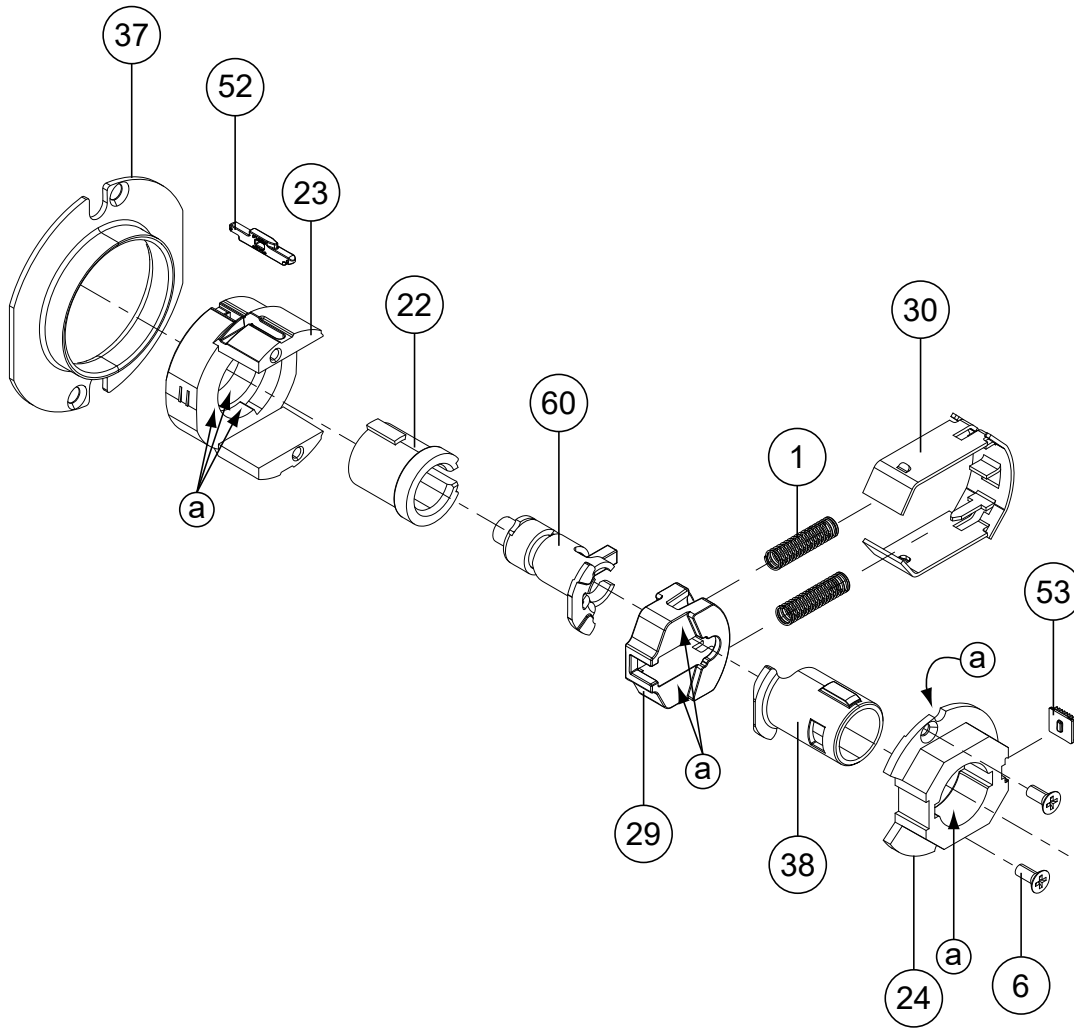
No.	Description	Part number
37	Adjustment plate	N523-054
38	Inside spindle	N523-177
48	RX harness	N523-194**
49	RX harness screw	N523-135
52	Gauge insert	23988066
53	Insert, inside hub	N523-160*
54	Electrified motor assembly	47813463**
56	Motor assembly screw	N623-030

* Not sold separately as a part.

** For RX details, see Request-to-exit feature on page 125. For electrified lock details, see Electrified locks on page 124.

Accessible storeroom lock

ND81



Ⓐ Apply light film of 100% synthetic grease on surfaces with brush.

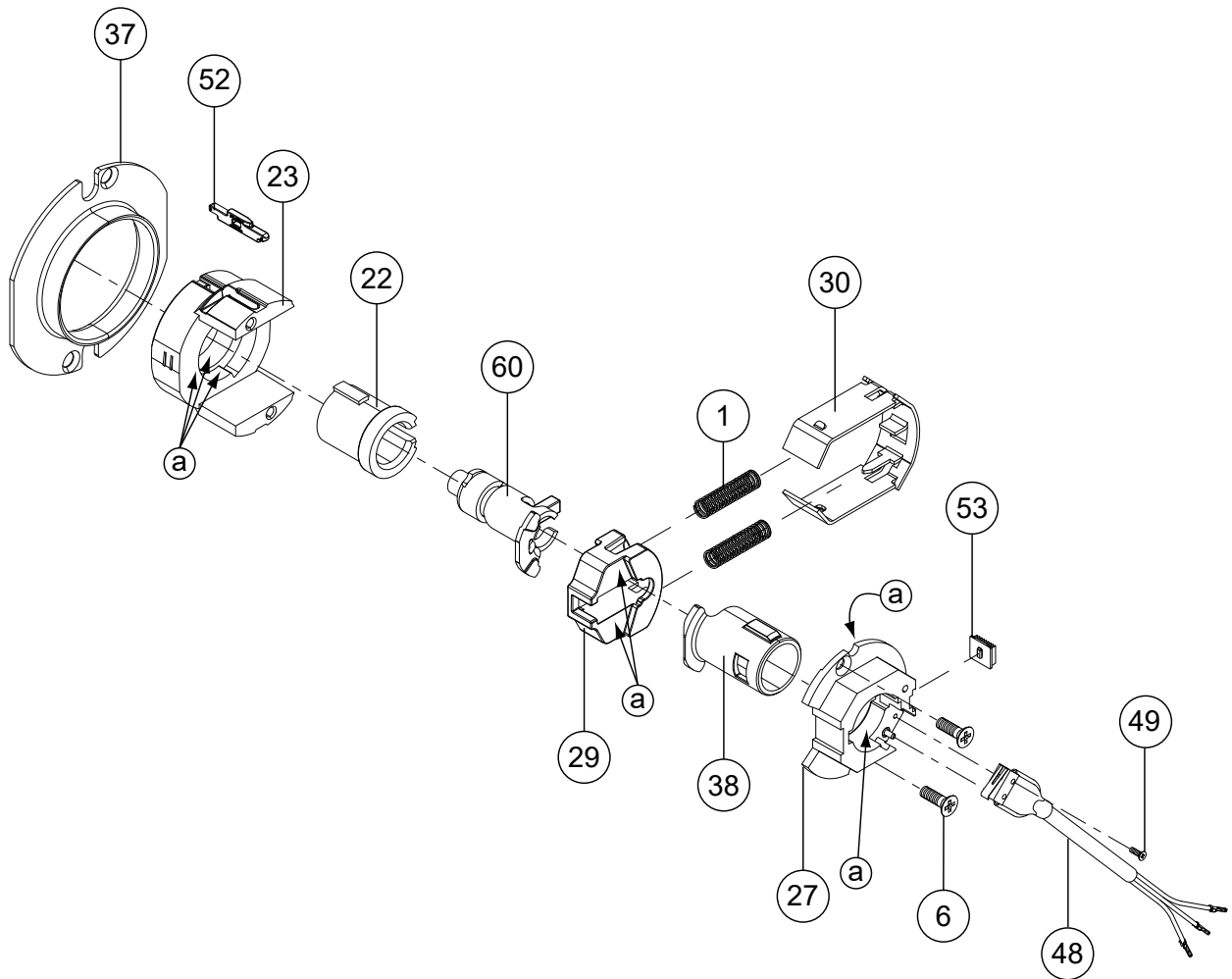
No.	Description	Part number
1	Slide spring	C503-019
6	Chassis screw	L583-454
22	Spindle	N523-013
23	Outside housing	24088544
24	Inside hub	24085037
29	Slide	N523-149

No.	Description	Part number
30	Slide clip	N523-025
37	Adjustment plate	N523-054
38	Spindle	N523-177
52	Gauge insert	23988066
53	Insert, inside hub	N523-160*
60	Keycam assembly	N123-094

* Not sold separately as a part.

Accessible storeroom lock with request-to-exit

ND81 RX



Ⓐ Apply light film of 100% synthetic grease on surfaces with brush.

No.	Description	Part number
1	Slide spring	C503-019
6	Chassis screw	L583-454
22	Spindle	N523-013
23	Outside housing	24088544
27	Inside hub, electrified and RX	N623-017
29	Slide	N523-149
30	Slide clip	N523-025

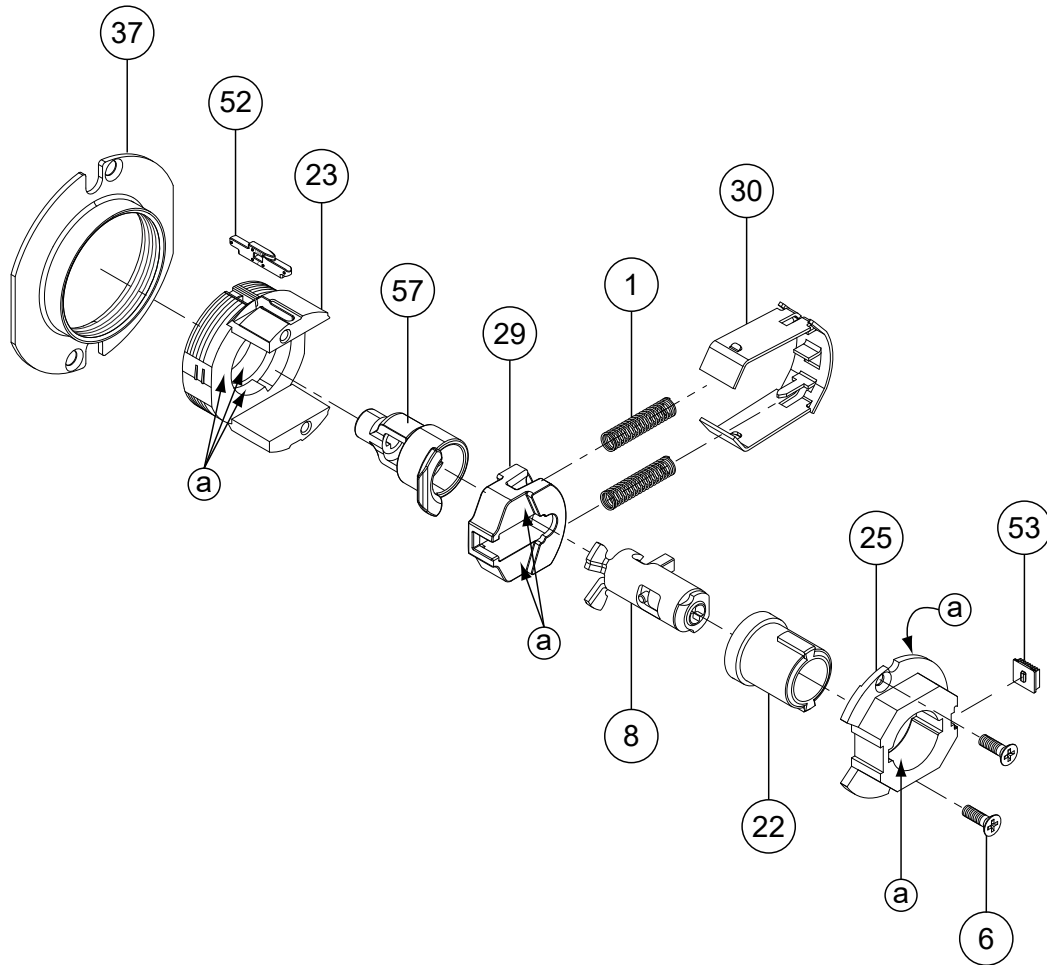
No.	Description	Part number
37	Adjustment plate	N523-054
38	Spindle	N523-177
48	RX harness	N523-194**
49	RX harness screw	N523-135
52	Gauge insert	23988066
53	Insert, inside hub	N523-160*
60	Keycam assembly	N123-094

* Not sold separately as a part.

** For RX details, see **Request-to-exit** feature on page 125.

Institution lock

ND82



Ⓐ Apply light film of 100% synthetic grease on surfaces with brush.

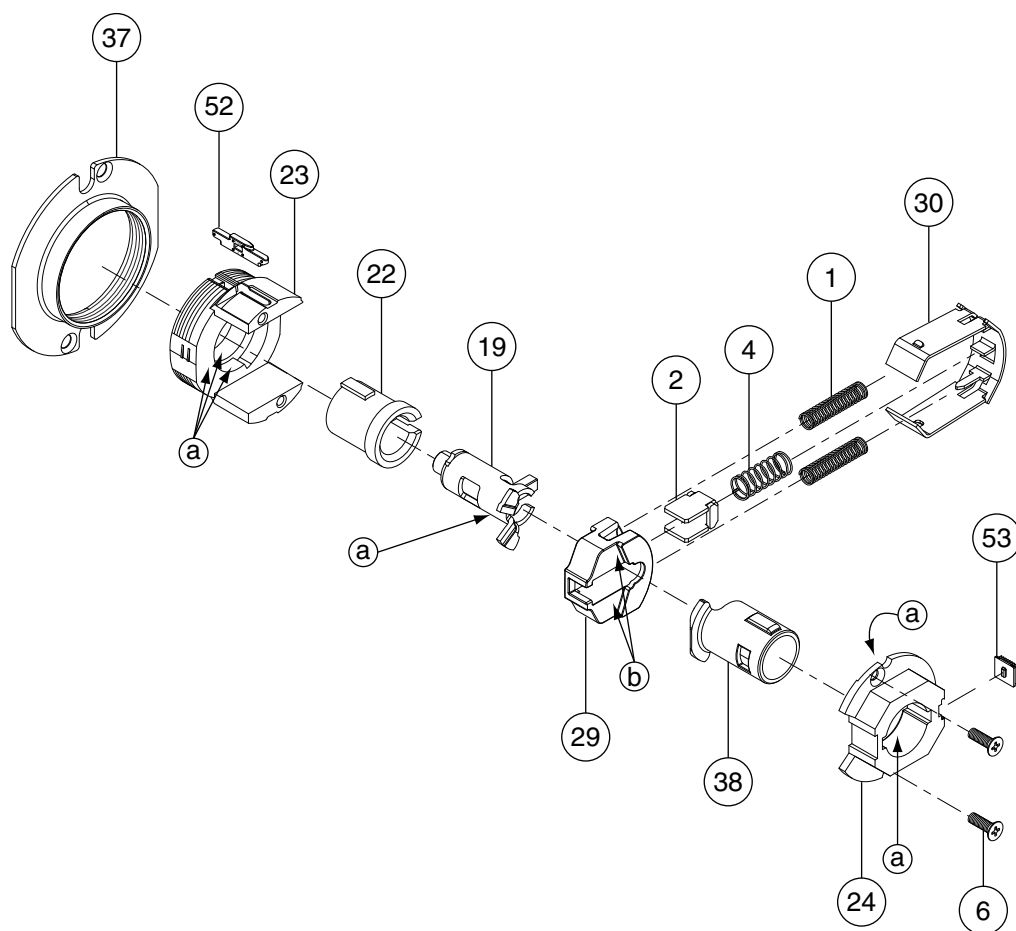
No.	Description	Part number
1	Slide spring	C503-019
6	Chassis screw	L583-454
8	Keycam assembly	N123-008
22	Spindle	N523-013
23	Outside housing	24088544
25	Inside hub	24085060

No.	Description	Part number
29	Slide	N523-149
30	Slide clip	N523-025
37	Adjustment plate	N523-054
52	Gauge insert	23988066
53	Insert, inside hub	N523-160*
57	Spindle	47342286

* Not sold separately as a part.

Faculty restroom lock

ND85



(a) Apply light film of 100% synthetic grease on surfaces with brush.

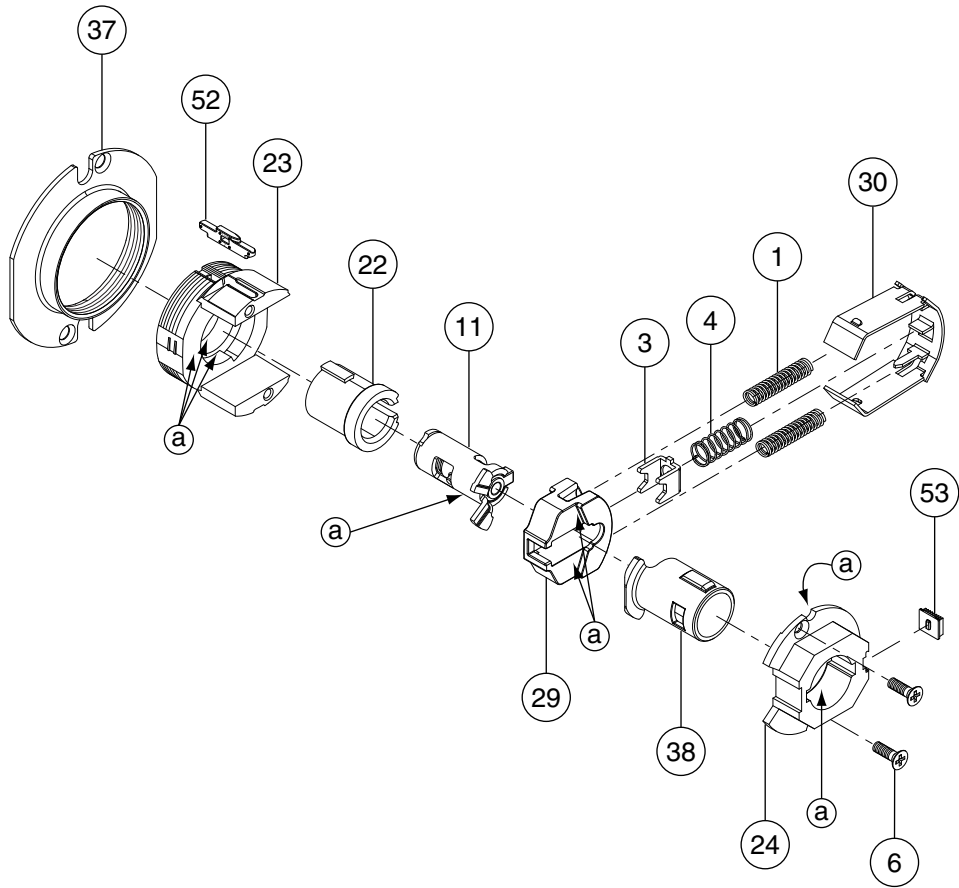
No.	Description	Part number
1	Slide spring	C503-019
2	Restoring slide catch	C604-187
4	Slide catch spring	C604-191
6	Chassis screw	L583-454
19	Keycam assembly	N123-055
22	Spindle	N523-013
23	Outside housing	24088544

No.	Description	Part number
24	Inside hub	24085037
29	Slide	N523-149
30	Slide clip	N523-025
37	Adjustment plate	N523-054
38	Spindle	N523-177
52	Gauge insert	23988066
53	Insert, inside hub	N523-160*

* Not sold separately as a part.

Entrance/office and entrance lock with Vandlgard®

ND91 and ND92



Ⓐ Apply light film of 100% synthetic grease on surfaces with brush.

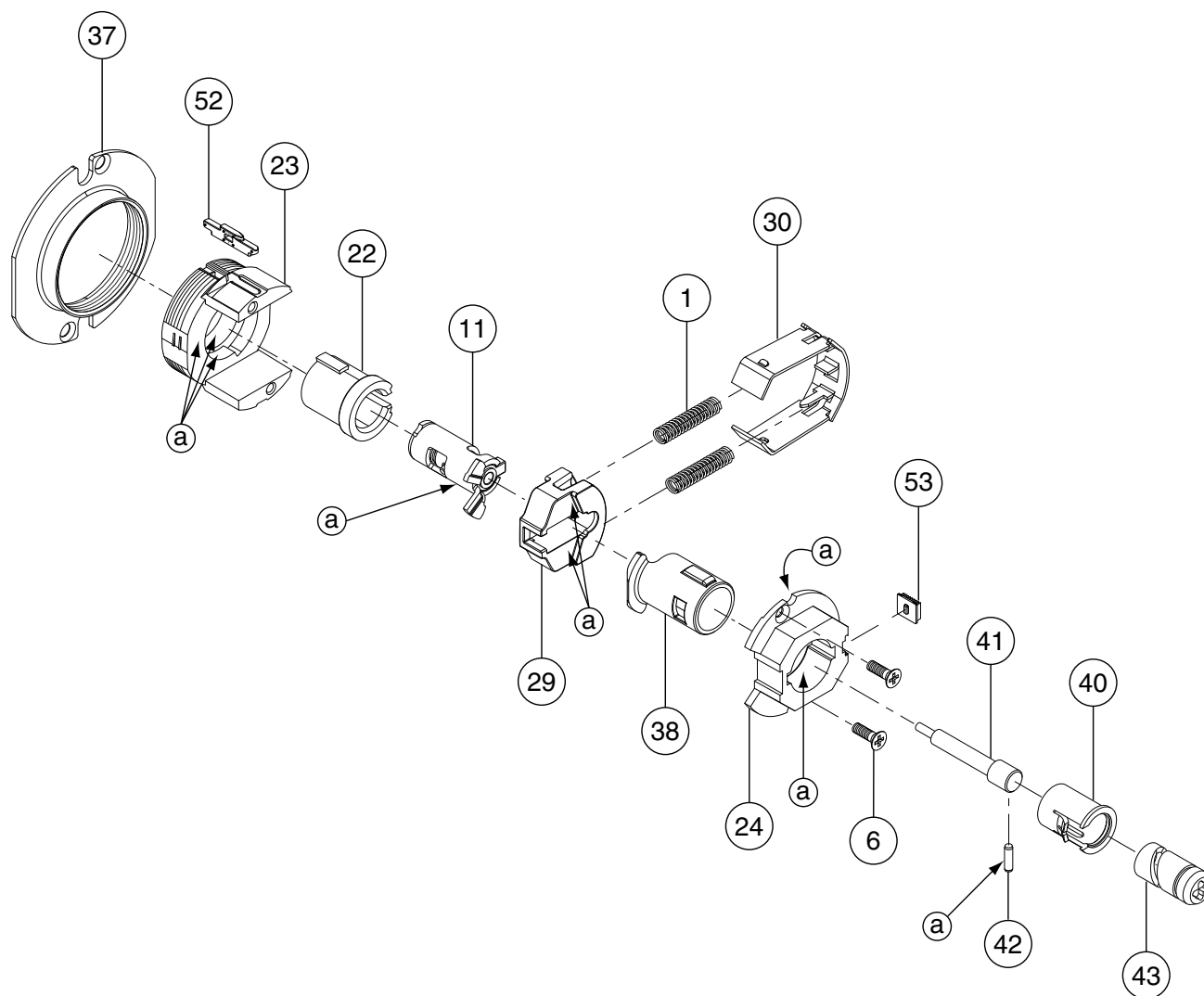
No.	Description	Part number
1	Slide spring	C503-019
3	Slide catch	C604-188
4	Slide catch spring	C604-191
6	Chassis screw	L583-454
11	Keycam assembly	N123-011
22	Spindle	N523-013
23	Outside housing	24088544

No.	Description	Part number
24	Inside hub	24085037
29	Slide	N523-149
30	Slide clip	N523-025
37	Adjustment plate	N523-054
38	Spindle	N523-177
52	Gauge insert	23988066
53	Insert, inside hub	N523-160*

* Not sold separately as a part.

Vestibule lock with Vandlgard®

ND93



(a) Apply light film of 100% synthetic grease on surfaces with brush.

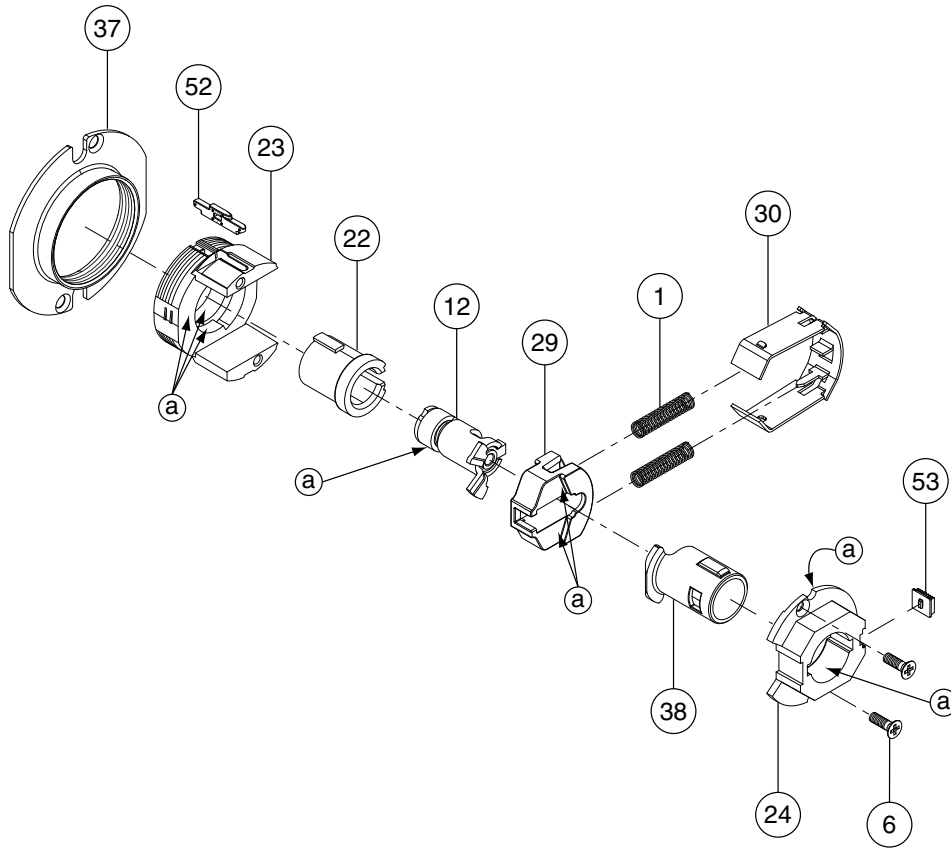
No.	Description	Part number
1	Slide spring	C503-019
6	Chassis screw	L583-454
11	Keycam assembly	N123-011
22	Spindle	N523-013
23	Outside housing	24088544
24	Inside hub	24085037
29	Slide	N523-149
30	Slide clip	N523-025

No.	Description	Part number
37	Adjustment plate	N523-054
38	Spindle	N523-177
40	Plunger sleeve	N523-063
41	Plunger	N523-064
42	Cam pin	N523-065
43	Cam	N523-066
52	Gauge insert	23988066
53	Insert, inside hub	N523-160*

* Not sold separately as a part.

Classroom lock with Vandlgard®

ND94



Ⓐ Apply light film of 100% synthetic grease on surfaces with brush.

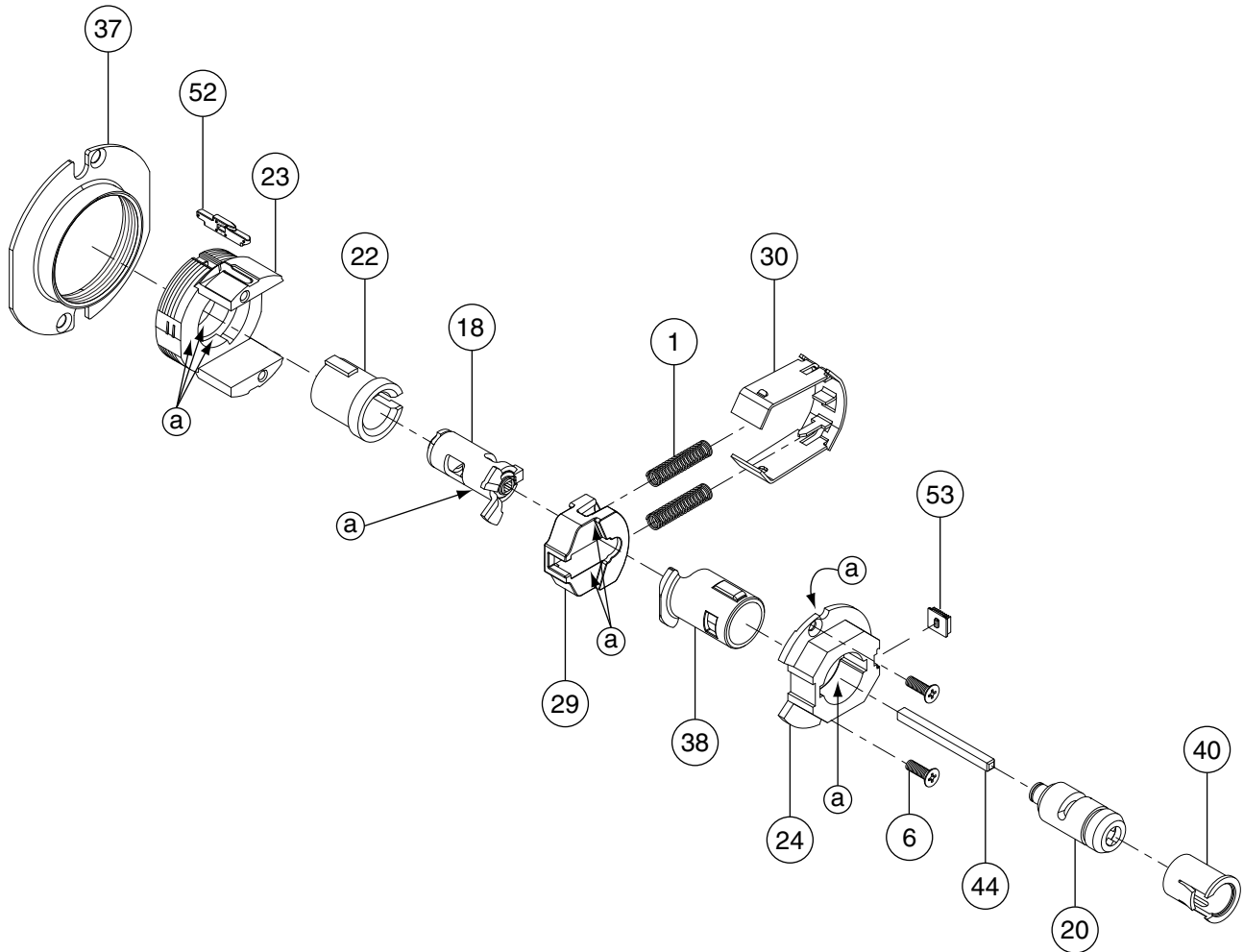
No.	Description	Part number
1	Slide spring	C503-019
6	Chassis screw	L583-454
12	Keycam assembly	N123-012
22	Spindle	N523-013
23	Outside housing	24088544
24	Inside hub	24085037

No.	Description	Part number
29	Slide	N523-149
30	Slide clip	N523-025
37	Adjustment plate	N523-054
38	Spindle	N523-177
52	Gauge insert	23988066
53	Insert, inside hub	N523-160*

* Not sold separately as a part.

Classroom security lock with Vandlgard®

ND95



(a) Apply light film of 100% synthetic grease on surfaces with brush.

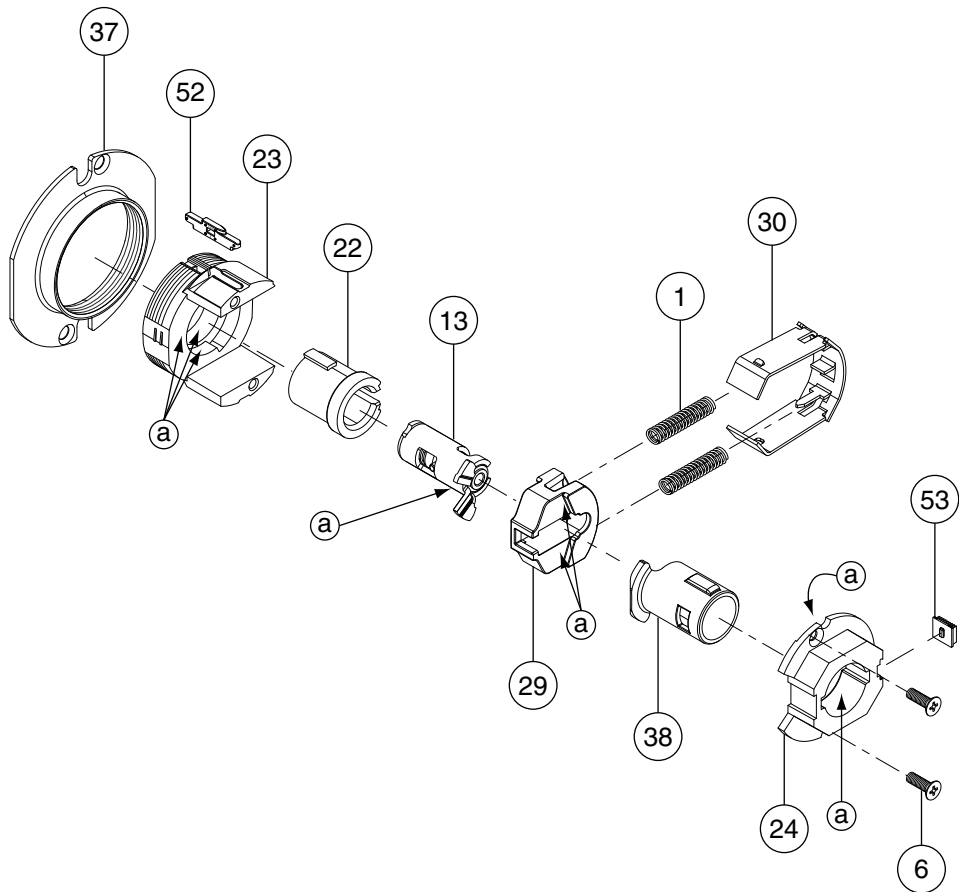
No.	Description	Part number
1	Slide spring	C503-019
6	Chassis screw	L583-454
18	Keycam assembly	N123-098
20	Inside cam	N123-059
22	Spindle	N523-013
23	Outside housing	24088544
24	Inside hub	24085037
29	Slide	N523-149

No.	Description	Part number
30	Slide clip	N523-025
37	Adjustment plate	N523-054
38	Spindle	N523-177
40	Plunger sleeve	N523-063
44	Plunger bar	N523-067
52	Gauge insert	23988066
53	Insert, inside hub	N523-160*

* Not sold separately as a part.

Storeroom lock with Vandlgard®

ND96



Ⓐ Apply light film of 100% synthetic grease on surfaces with brush.

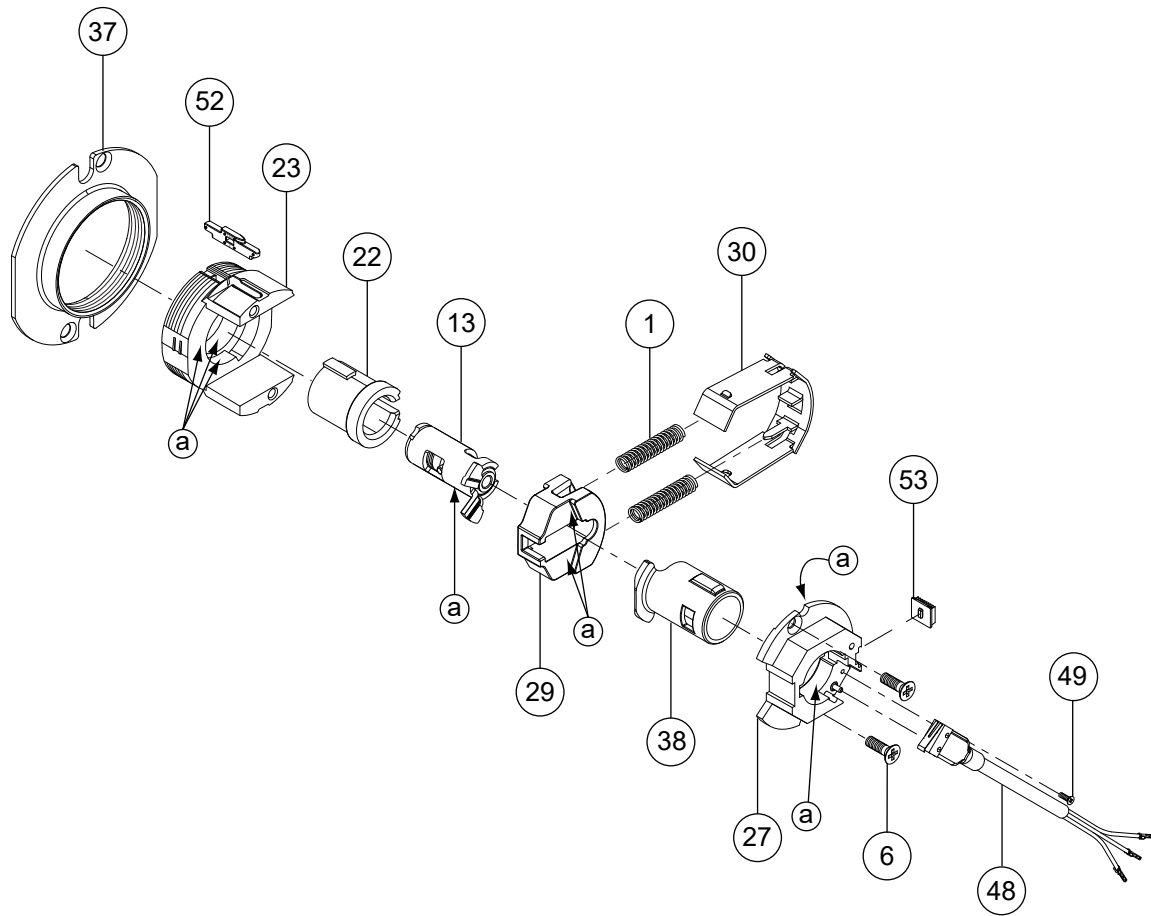
No.	Description	Part number
1	Slide spring	C503-019
6	Chassis screw	L583-454
13	Keycam assembly	N123-013
22	Spindle	N523-013
23	Outside housing	24088544
24	Inside hub	24085037

No.	Description	Part number
29	Slide	N523-149
30	Slide clip	N523-025
37	Adjustment plate	N523-054
38	Spindle	N523-177
52	Gauge insert	23988066
53	Insert, inside hub	N523-160*

* Not sold separately as a part.

Storeroom lock with Vandlgard® with request-to-exit

ND96 RX



(a) Apply light film of 100% synthetic grease on surfaces with brush.

No.	Description	Part number
1	Slide spring	C503-019
6	Chassis screw	L583-454
13	Keycam assembly	N123-013
22	Spindle	N523-013
23	Outside housing	24088544
27	Inside hub, electrified and RX	N623-017
29	Slide	N523-149

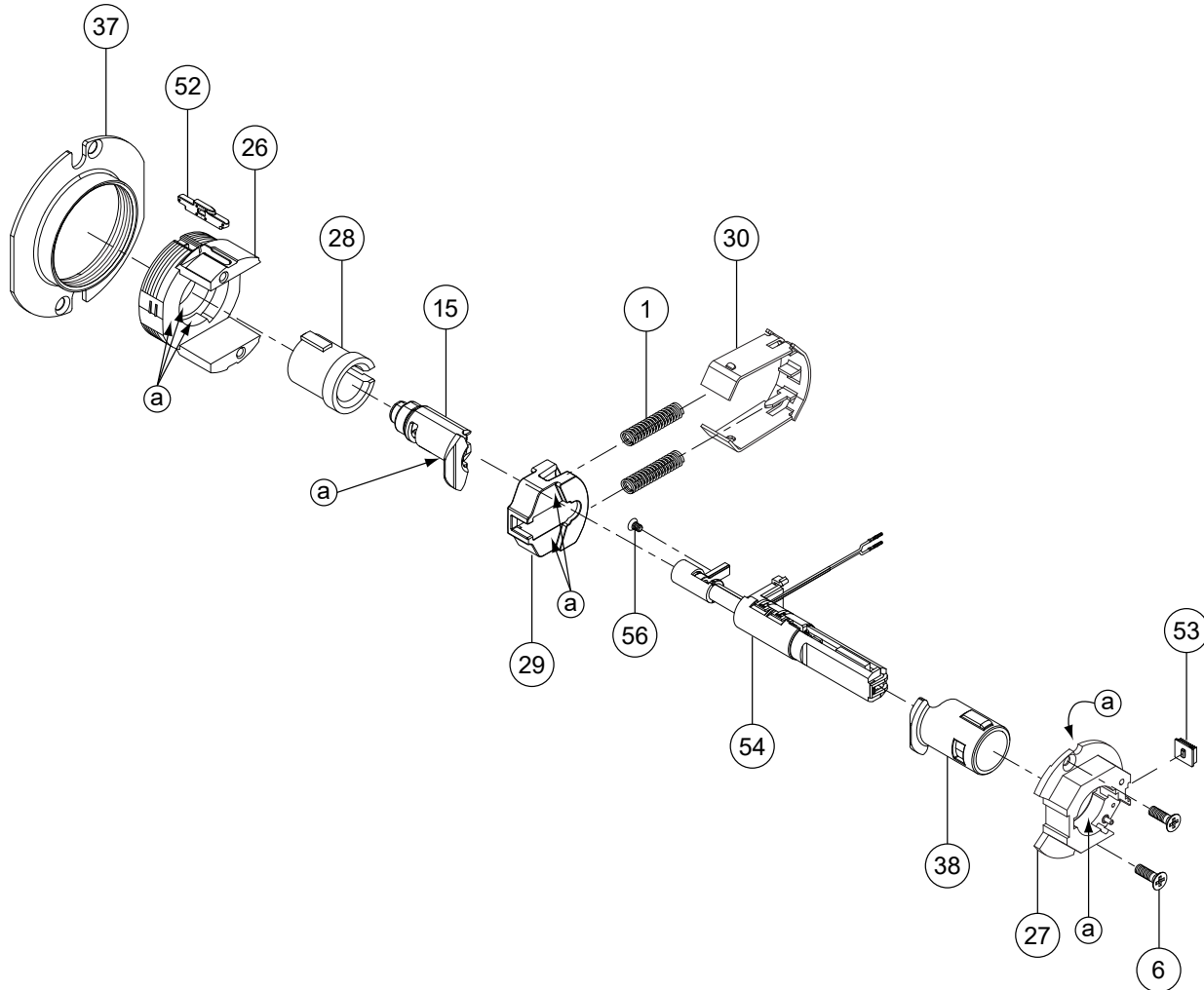
No.	Description	Part number
30	Slide clip	N523-025
37	Adjustment plate	N523-054
38	RX inside spindle	N523-177
48	RX harness	N523-194**
49	RX harness screw	N523-135
52	Gauge insert	23988066
53	Insert, inside hub	N523-160*

* Not sold separately as a part.

** For RX details, see **Request-to-exit** feature on page 125.

Storeroom lock with Vandlgard®— electrically locked (fail safe) or electrically unlocked (fail secure)

ND96EL or ND96EU



(a) Apply light film of 100% synthetic grease on surfaces with brush.

No.	Description	Part number
1	Slide spring	C503-019
6	Chassis screw	L583-454
15	Electrified keycam assembly	N223-066
26	Outside electrified housing	24088551
27	Inside hub—electrified & RX	N623-017
28	Outside electrified spindle	N523-019
29	Slide	N523-149

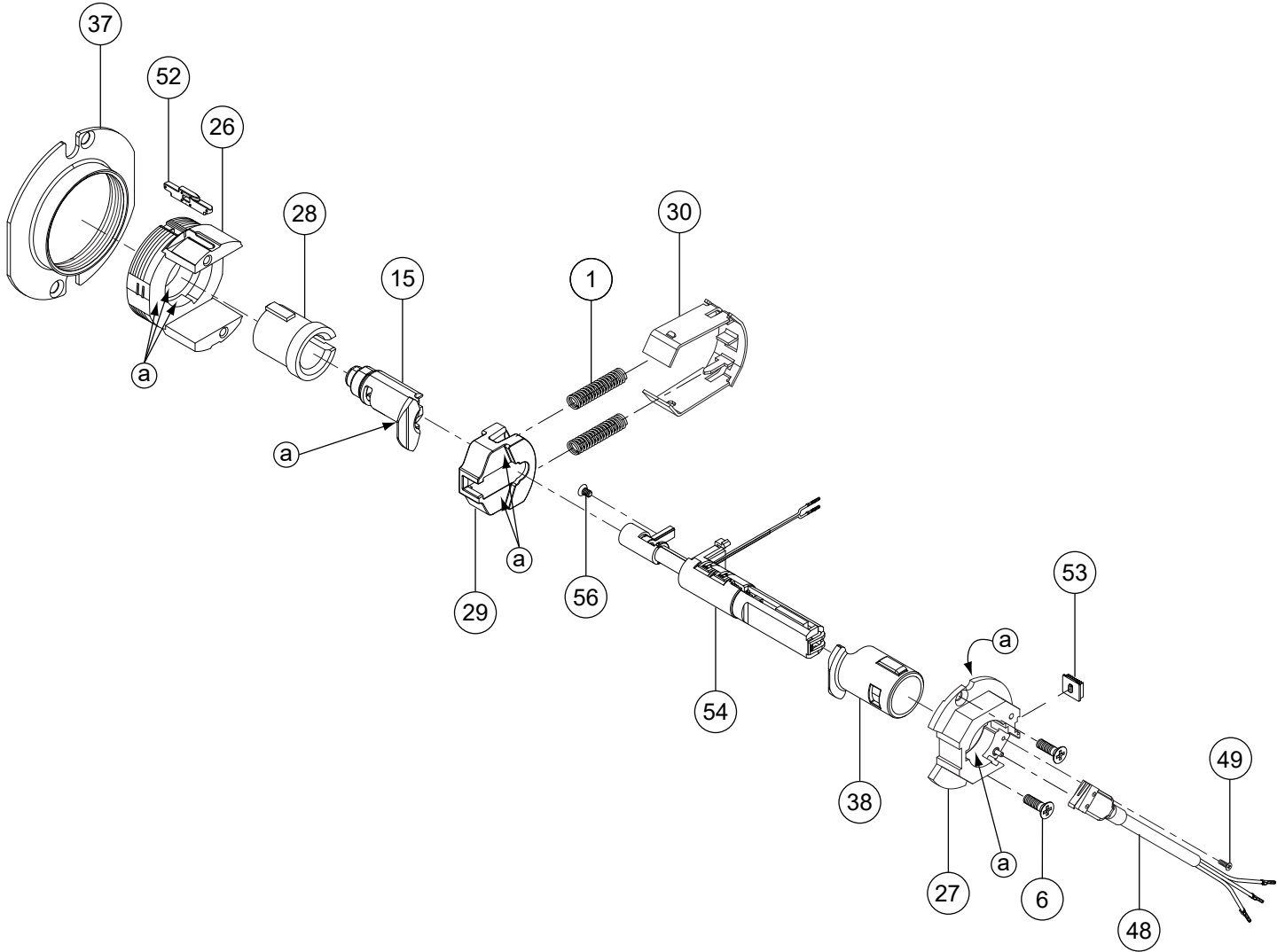
No.	Description	Part number
30	Slide clip	N523-025
37	Adjustment plate	N523-054
38	Inside spindle	N523-177
52	Gauge insert	23988066
53	Insert, inside hub	N523-160*
54	Electrified motor assembly –Vandlgard	47814169**
56	Motor assembly screw	N623-030

* Not sold separately as a part.

** For electrified lock details, see **Electrified locks** on page 124.

Storeroom lock with Vandlgard®— electrically locked (fail safe) or electrically unlocked (fail secure) with request-to-exit

ND96EL RX or ND96EU RX



(a) Apply light film of 100% synthetic grease on surfaces with brush.

No.	Description	Part number
1	Slide spring	C503-019
6	Chassis screw	L583-454
15	Electrified keycam assembly	N223-066
26	Outside electrified housing	24088551
27	Inside hub—electrified & RX	N623-017
28	Outside electrified spindle	N523-019
29	Slide	N523-149
30	Slide clip	N523-025

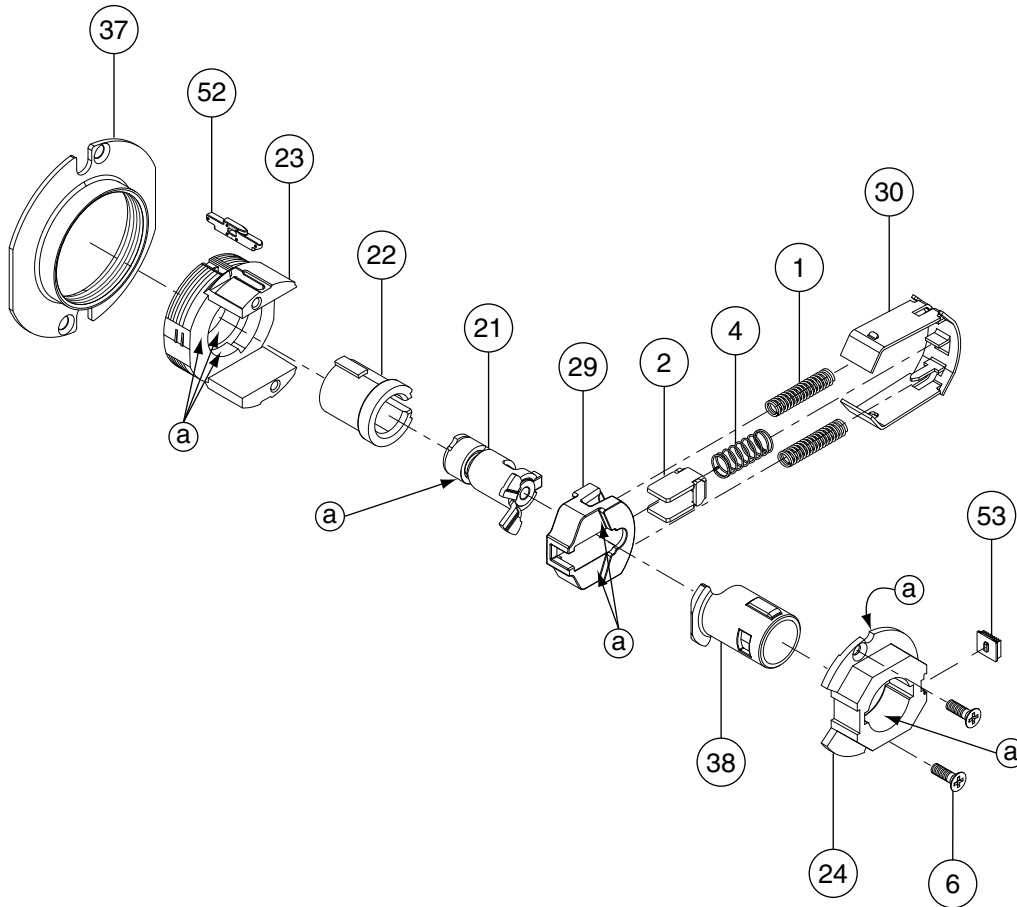
No.	Description	Part number
37	Adjustment plate	N523-054
38	Inside electrified spindle	N523-177
48	RX harness	N523-194**
49	RX harness screw	N523-135
52	Gauge insert	23988066
53	Insert, inside hub	N523-160*
54	Electrified motor assembly –Vandlgard	47814169**
56	Motor assembly screw	N623-030

* Not sold separately as a part.

** For RX details, see Request-to-exit feature on page 125. For electrified lock details, see Electrified locks on page 124.

Corridor lock with Vandlgard®

ND97



Ⓐ Apply light film of 100% synthetic grease on surfaces with brush.

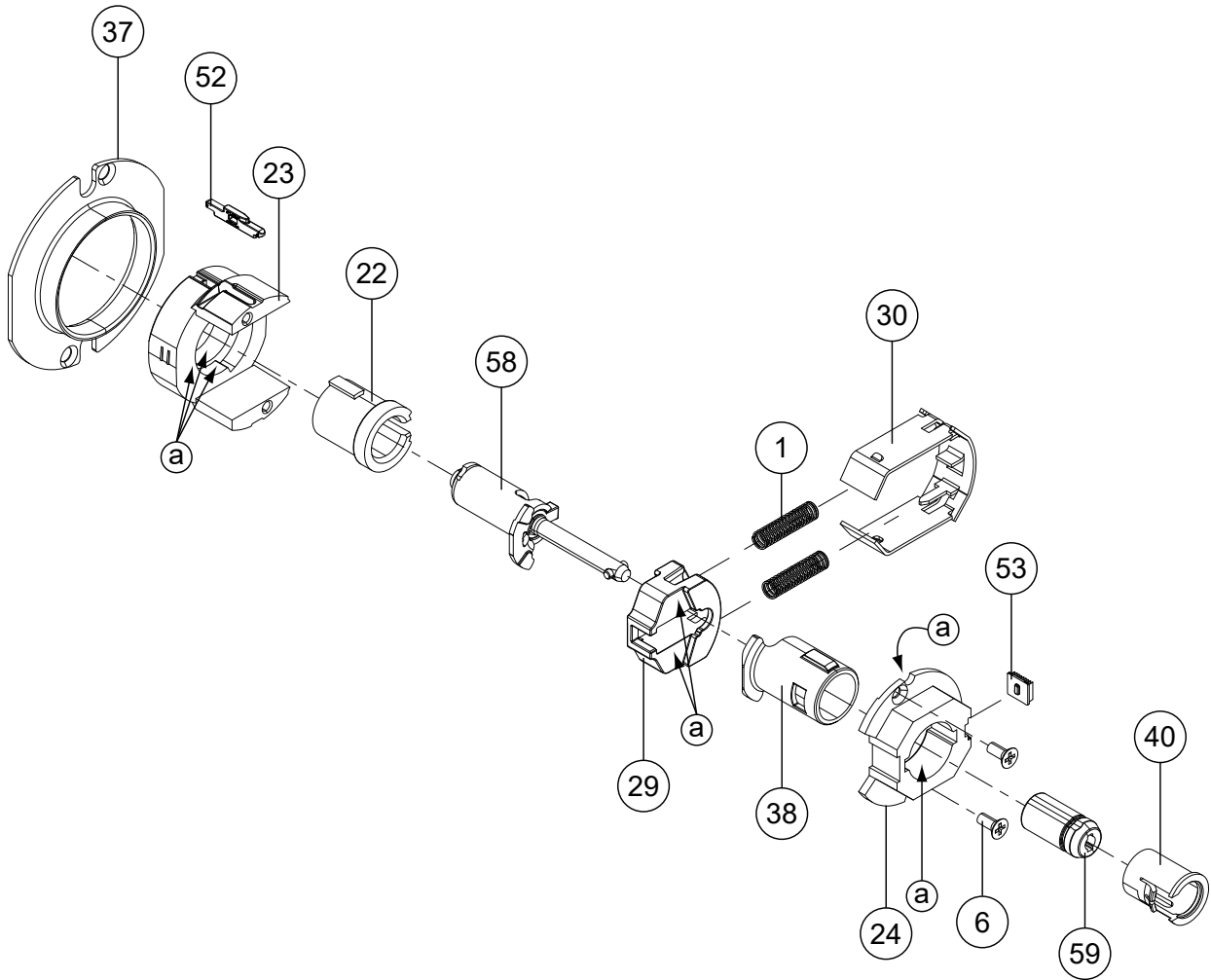
No.	Description	Part number
1	Slide spring	C503-019
2	Restoring slide catch	C604-187
4	Slide catch spring	C604-191
6	Chassis screw	L583-454
21	Keycam assembly	N123-097
22	Spindle	N523-013
23	Outside housing	24088544

No.	Description	Part number
24	Inside hub	24085037
29	Slide	N523-149
30	Slide clip	N523-025
37	Adjustment plate	N523-054
38	Spindle	N523-177
52	Gauge insert	23988066
53	Insert, inside hub	N523-160*

* Not sold separately as a part.

Classroom security lock with Vandlgard® (180-degree lockdown)

ND98



Ⓐ Apply light film of 100% synthetic grease on surfaces with brush.

No.	Description	Part number
1	Slide spring	C503-019
6	Chassis screw	L583-454
22	Spindle	N523-013
23	Outside housing	24088544
24	Inside hub	24085037
29	Slide	N523-149
30	Slide clip	N523-025
37	Adjustment plate	N523-054

No.	Description	Part number
38	Spindle	N523-177
40	Plunger sleeve	N523-063
44	Plunger bar	N523-067
52	Gauge insert	23988066
53	Insert, inside hub	N523-160*
58	Keycam assembly	47278524
59	Plug	47278522

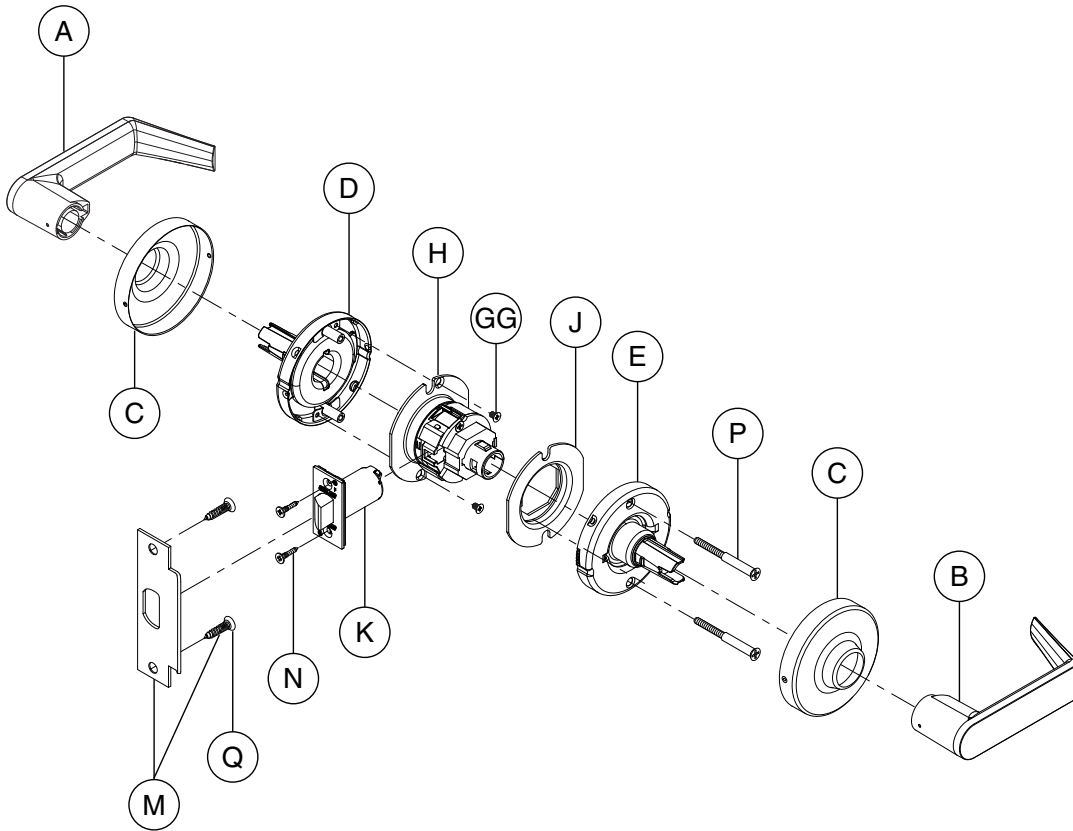
* Not sold separately as a part.

Trim assemblies

- 57 Passage latch
- 58 Passage latch with request-to-exit
- 59 Exit lock
- 60 Exit lock with request-to-exit
- 61 Exit lock— electrically locked (fail safe) or electrically unlocked (fail secure)
- 62 Exit lock— electrically locked (fail safe) or electrically unlocked (fail secure) with request-to-exit
- 63 Single dummy trim
- 64 Double dummy trim
- 65 Exit lock with blank plate
- 66 Special— classroom exit lock
- 67 Special— storeroom exit lock
- 68 Special— patio lock
- 69 Bath/bedroom privacy lock
- 70 Hospital privacy lock
- 71 Time out lock with Vandlgard®
- 72 Entrance/office lock
- 73 Entrance/office lock
- 74 Vestibule lock
- 75 Special— ND60 with closed outside lever
- 76 Store lock
- 77 Classroom lock
- 78 Special— classroom by storeroom lock
- 79 Special— communicating lock
- 80 Special— communicating lock with Vandlgard®
- 81 Corridor lock
- 82 Classroom security lock (180-degree lockdown)
- 83 Storeroom lock
- 84 Storeroom lock with request-to-exit
- 85 Storeroom lock— electrically locked (fail safe) or electrically unlocked (fail secure)
- 86 Storeroom lock— electrically locked (fail safe) or electrically unlocked (fail secure) with request-to-exit
- 87 Accessible storeroom lock
- 88 Accessible storeroom lock with request-to-exit
- 89 Institution lock
- 90 Faculty restroom lock
- 91 Entrance/office lock with Vandlgard®
- 92 Entrance lock with Vandlgard®
- 93 Vestibule with Vandlgard®
- 94 Classroom lock with Vandlgard®
- 95 Storeroom lock with Vandlgard®
- 96 Storeroom lock with Vandlgard® with request-to-exit
- 97 Storeroom lock with Vandlgard®— electrically locked (fail safe) or electrically unlocked (fail secure)
- 98 Storeroom lock with Vandlgard®— electrically locked (fail safe) or electrically unlocked (fail secure) with request-to-exit
- 99 Corridor lock with Vandlgard®
- 100 Classroom security lock with Vandlgard® (180-degree lockdown)
- 101 Bath/Bedroom Privacy with Outside Indicator
- 102 Hospital Privacy lock with Outside Indicator
- 103 Entrance/office lock with Inside Indicator
- 104 Entrance lock with Inside Indicator

Passage latch

ND10

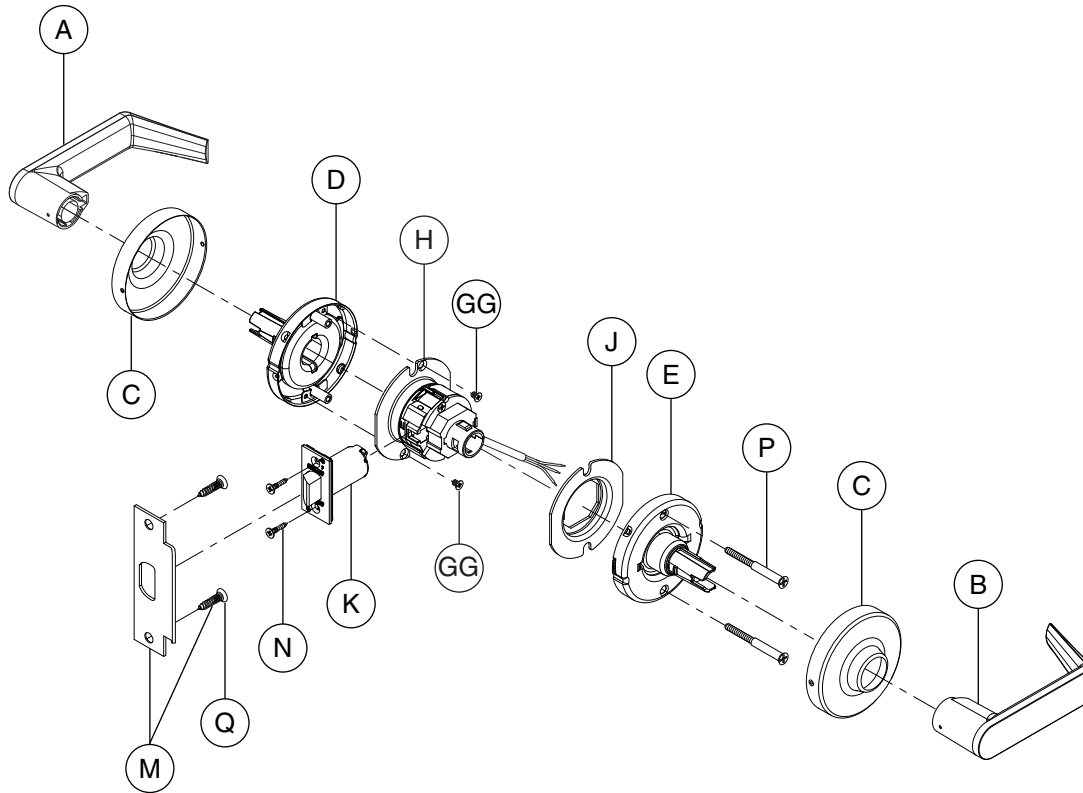


Letter	Description	Part number
A	Outside lever—closed	03-230 RHO
B	Inside lever—closed	03-230 RHO
C	Rose	03-042
D	Outside spring cage assembly—passage	N523-218
E	Inside spring cage assembly—standard	N523-221
H	Chassis	S00031721271-KIT
J	Anti-rotation plate	N523-055

Letter	Description	Part number
K	Spring latch	13-248
M	Strike assembly	10-025
N	Latch screw	C603-897
P	Mounting screws	N523-021
Q	Strike screws	C603-256
GG	Adjustment plate screws	N523-240

Passage latch with request-to-exit

ND10 RX*



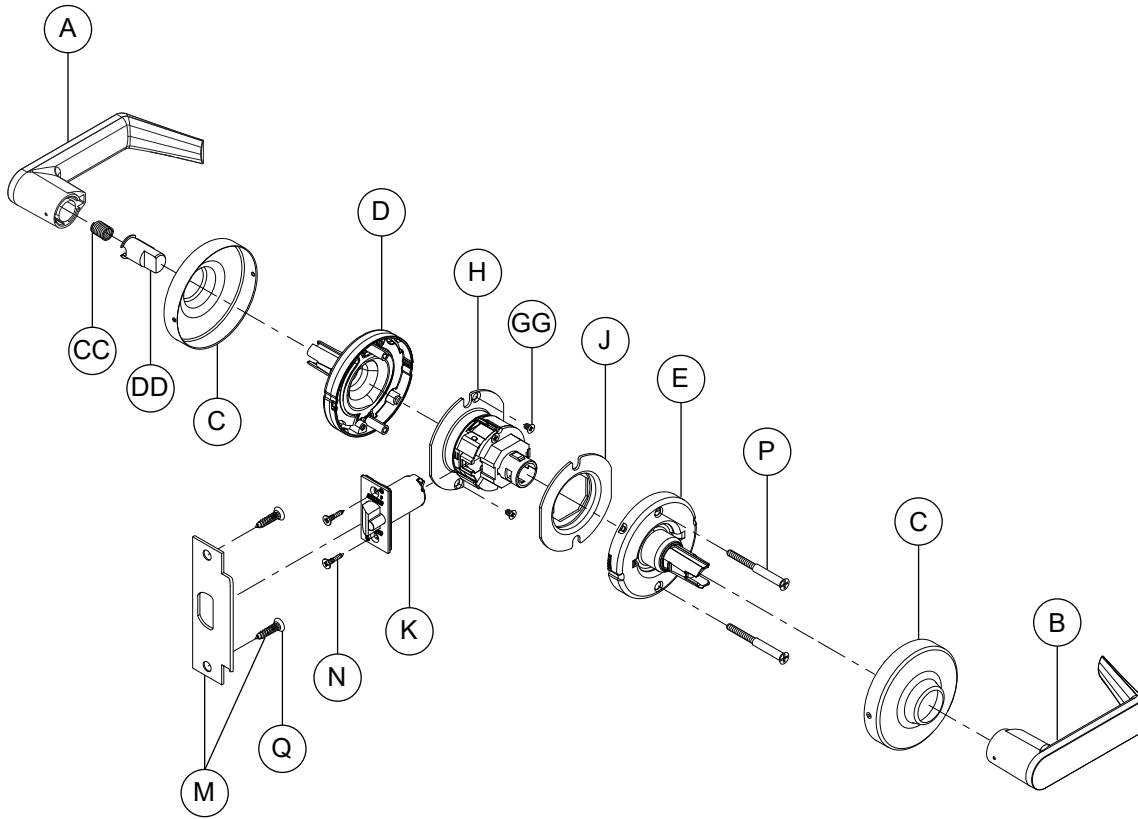
Letter	Description	Part number
A	Outside lever—closed	03-230 RHO
B	Inside lever—closed	03-230 RHO
C	Rose	03-042
D	Outside spring cage assembly—passage	N523-218
E	Inside spring cage assembly—standard	N523-221
H	Chassis	S00031769709-KIT
J	Anti-rotation plate	N523-131

Letter	Description	Part number
K	Spring latch	13-248
M	Strike assembly	10-025
N	Latch screw	C603-897
P	Mounting screws	N523-021
Q	Strike screws	C603-256
GG	Adjustment plate screws	N523-240

* For RX details, see **Request-to-exit feature** on page 125.

Exit lock

ND12

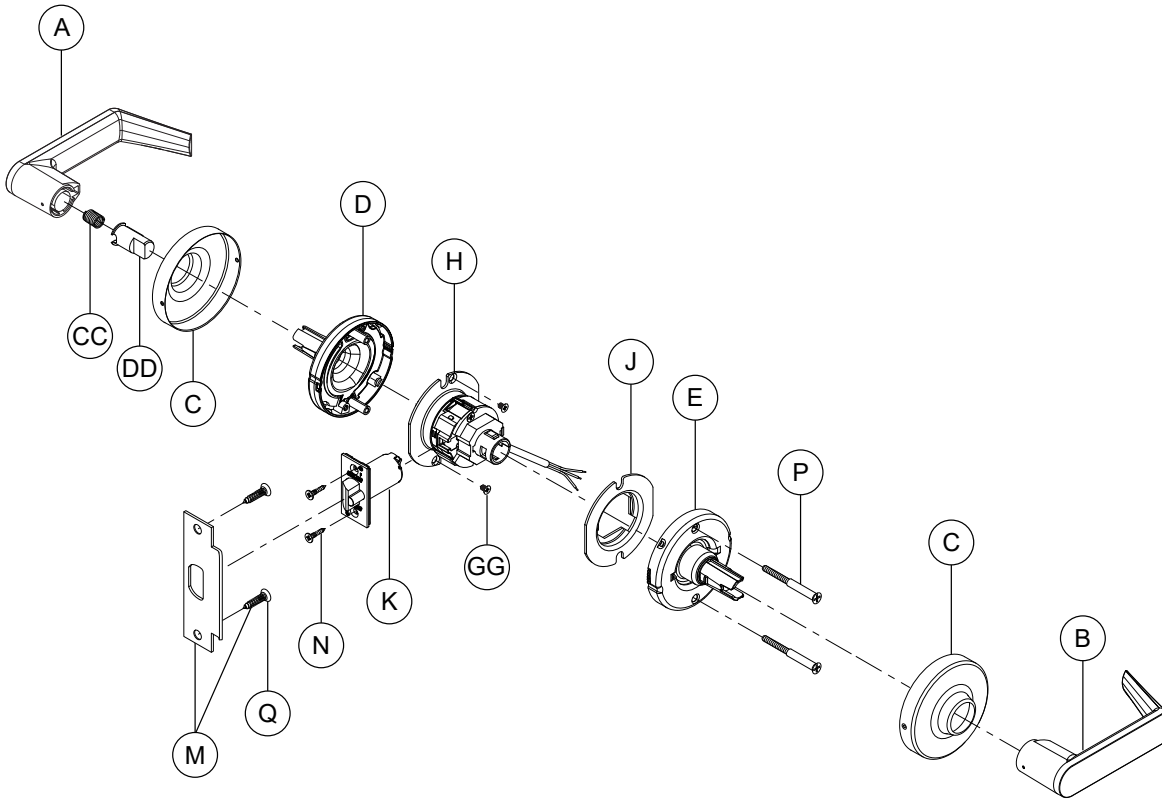


Letter	Description	Part number
A	Outside lever—closed	03-230 RHO
B	Inside lever—closed	03-230 RHO
C	Rose	03-042
D	Outside spring cage assembly—fixed	47261997
E	Inside spring cage assembly—standard	N523-221
H	Chassis	47767725-KIT
J	Anti-rotation plate	N523-055
K	Dead latch	13-247

Letter	Description	Part number
M	Strike assembly	10-025
N	Latch screws	C603-897
P	Mounting screws	N523-021
Q	Strike screws	C603-256
CC	Spring, plunger	C503-331
DD	Catch stop	N523-041
GG	Adjustment plate screws	N523-240

Exit lock with request-to-exit

ND12 RX*



Letter	Description	Part number
A	Outside lever—closed	03-230 RHO
B	Inside lever—closed	03-230 RHO
C	Rose	03-042
D	Outside spring cage assembly—fixed	47261997
E	Inside spring cage assembly—standard	N523-221
H	Chassis	47767726**
J	Anti-rotation plate	N523-131
K	Dead latch	13-247

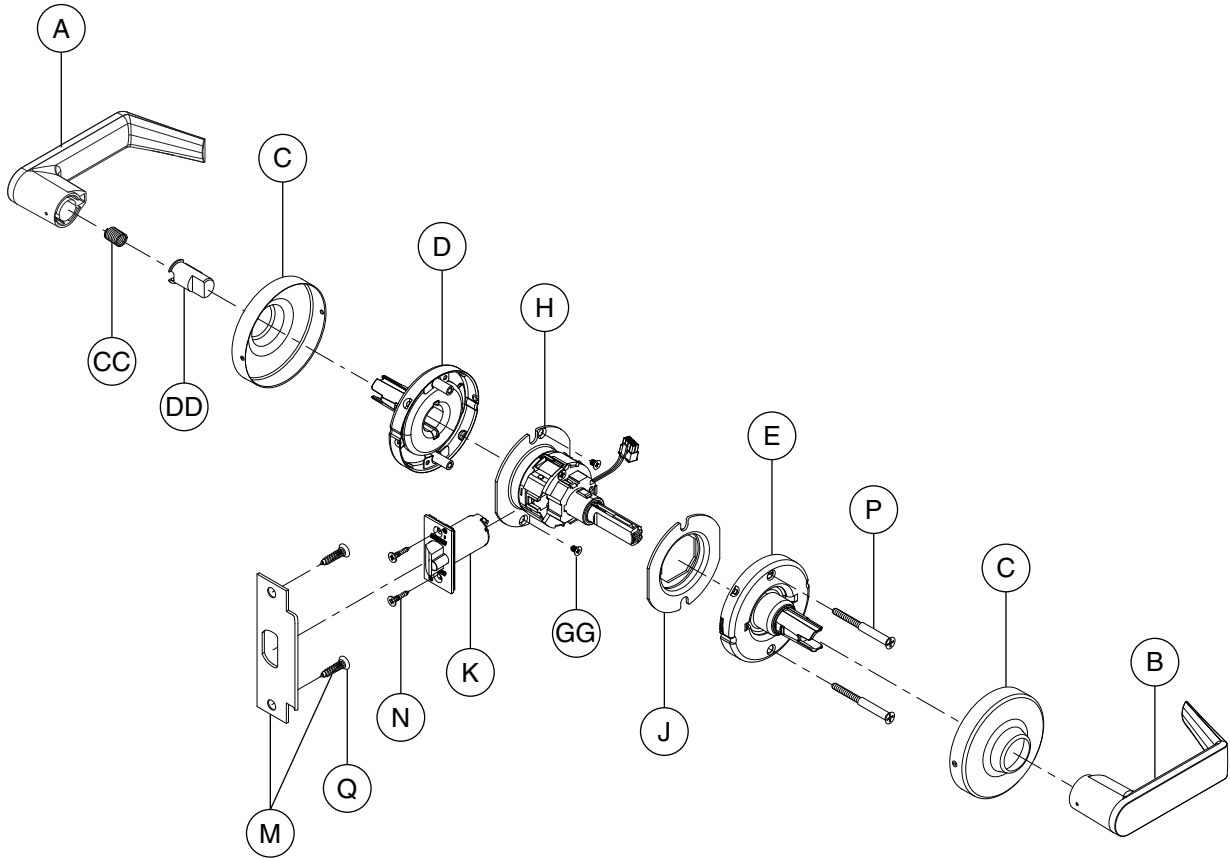
Letter	Description	Part number
M	Strike assembly	10-025
N	Latch screws	C603-897
P	Mounting screws	N523-021
Q	Strike screws	C603-256
CC	Spring, plunger	C503-331
DD	Catch stop	N523-041
GG	Adjustment plate screws	N523-240

* For RX details, see **Request-to-exit feature** on page 125.

** Chassis part number is for reference only. Not sold separately.

Exit lock— electrically locked (fail safe) or electrically unlocked (fail secure)

ND12EL or ND12EU*



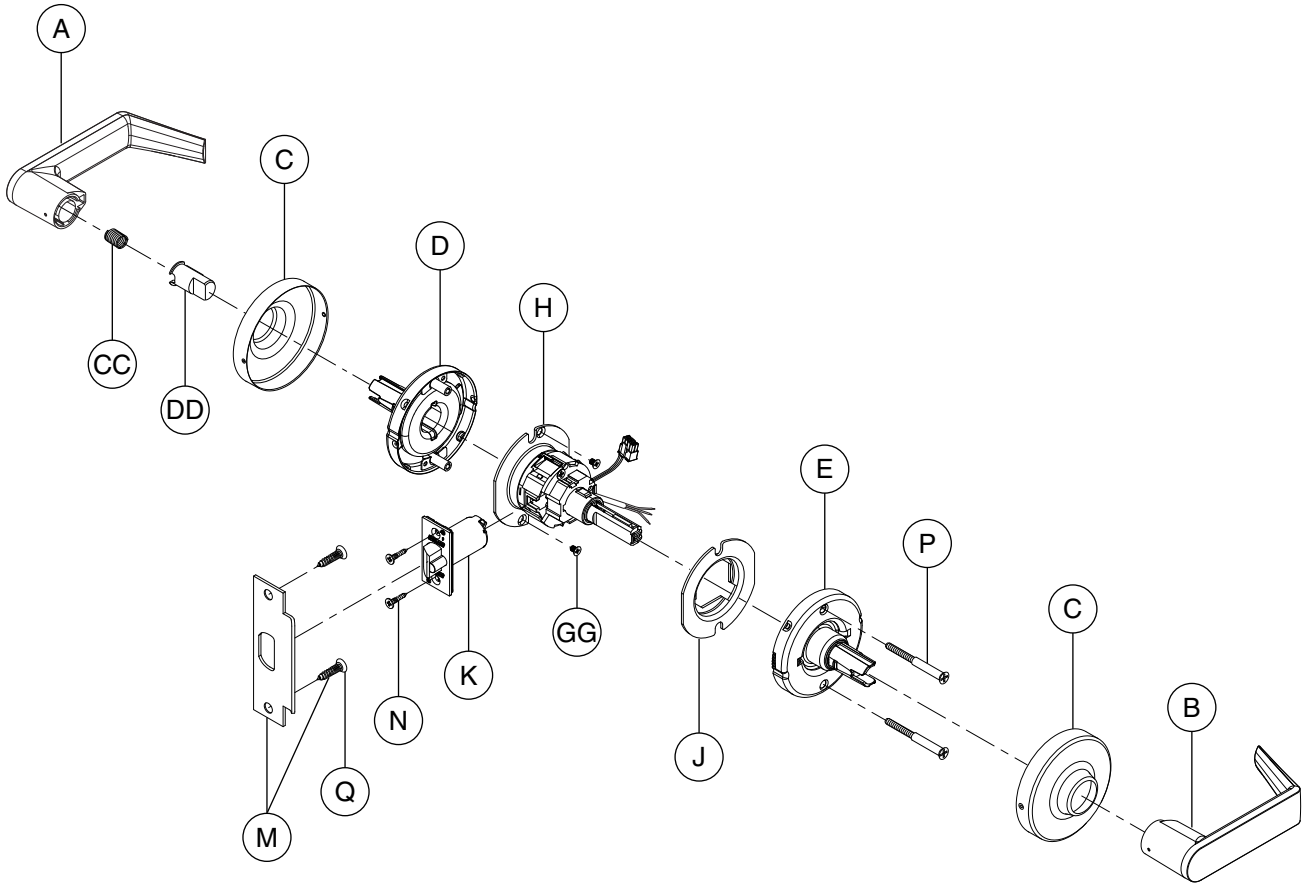
Letter	Description	Part number
A	Outside lever—closed	03-230 RHO
B	Inside lever—closed	03-230 RHO
C	Rose	03-042
D	Outside spring cage assembly—standard	N523-218
E	Inside spring cage assembly—standard	N523-221
H	Chassis, electrically locked	S00033868134-KIT
	Chassis, electrically unlocked	S00033868141-KIT
J	Anti-rotation plate	N523-055

Letter	Description	Part number
K	Dead latch	13-247
M	Strike assembly	10-025
N	Latch screw	C603-897
P	Mounting screw	N523-021
Q	Strike screw	C603-256
CC	Spring, plunger	C503-331
DD	Catch stop	N523-041
GG	Adjustment plate screws	N523-240

* For electrified lock details, see **Electrified locks** on page 124.

Exit lock— electrically locked (fail safe) or electrically unlocked (fail secure) with request-to-exit

ND12EL RX or ND12EU RX*



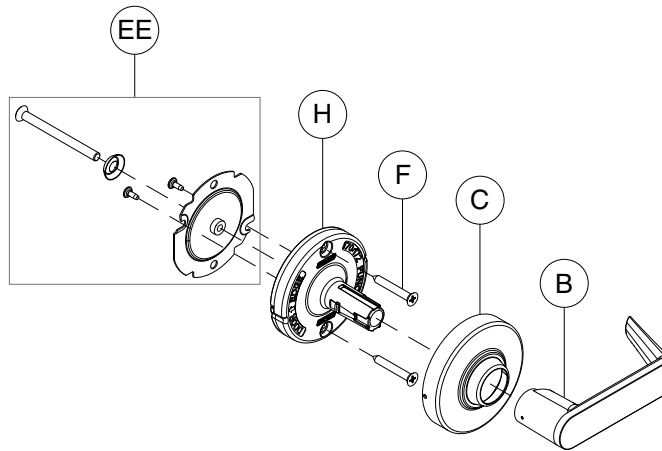
Letter	Description	Part number
A	Outside lever—closed	03-230 RHO
B	Inside lever—closed	03-230 RHO
C	Rose	03-042
D	Outside spring cage—standard	N523-218
E	Inside spring cage—standard	N523-221
H	Chassis, electrically locked	S00033868172-KIT
	Chassis, electrically unlocked	S00033868189-KIT
J	Anti-rotation plate	N523-131

Letter	Description	Part number
K	Dead latch	13-247
M	Strike assembly	10-025
N	Latch screw	C603-897
P	Mounting screw	N523-021
Q	Strike screw	C603-256
CC	Spring, plunger	C503-331
DD	Catch stop	N523-041
GG	Adjustment plate screws	N523-240

* For electrified lock details, see **Electrified locks** on page 124. For RX details, see **Request-to-exit feature** on page 125.

Single dummy trim

ND170



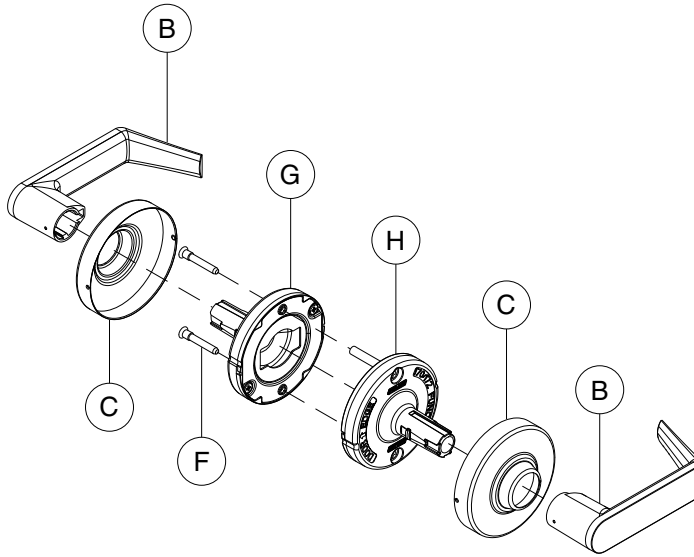
Letter	Description	Part number
B	Closed lever	03-230 RHO
C	Rose	03-042
F	Mounting screws (2)	47269197

Letter	Description	Part number
H	Chassis assembly, exterior dummy	47268754
EE	Through-door bolt kit, optional (626 finish only)	47262735**

** Sold separately, not furnished with standard ND170 lock.

Double dummy trim

ND172

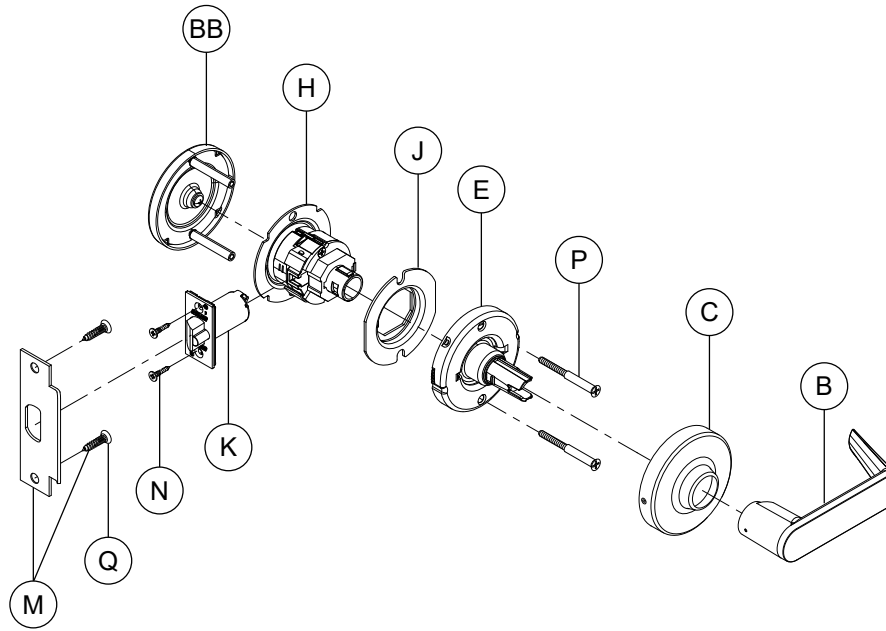


Letter	Description	Part number
B	Closed lever (2)	03-230 RHO
C	Rose (2)	03-042
F	Mounting screw pack	47269198

Letter	Description	Part number
G	Chassis assembly, interior dummy	47268756
H	Chassis assembly, exterior dummy	47268755

Exit lock with blank plate

ND25



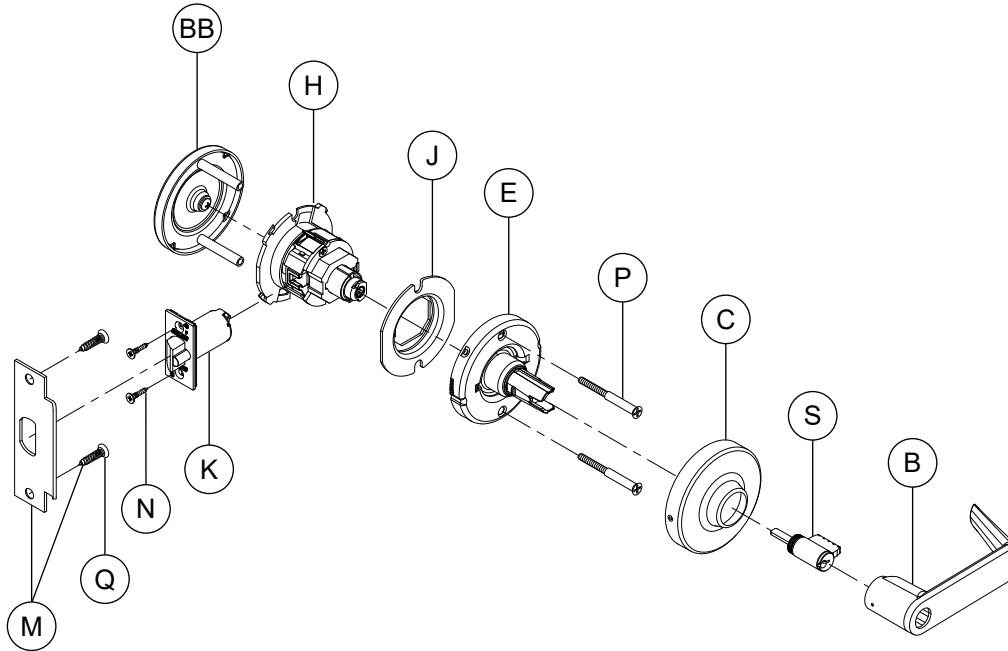
Letter	Description	Part number
B	Inside lever—closed	03-230 RHO
C	Rose	03-042
E	Inside spring cage assembly—standard	N523-221
H	Chassis	S00031721394-KIT
J	Anti-rotation plate	N523-055
K	Dead latch	13-247

Letter	Description	Part number
M	Strike assembly	10-025
N	Latch screws	C603-897
P	Mounting screws	47266670
Q	Strike screws	C603-256
BB	Outside Rose Assembly	47739993

Special— classroom exit lock

ND25X70

ND25X70PD (shown), ND25X70RD ✓, ND25X70GD ✓



Letter	Description	Part number
B	Inside lever—open (cylinder)	03-231
C	Rose	03-042
E	Inside spring cage—keyed inside except SFIC	N523-222
H	Chassis	S00031720557-KIT
J	Anti-rotation plate	N523-055
K	Dead latch	13-247

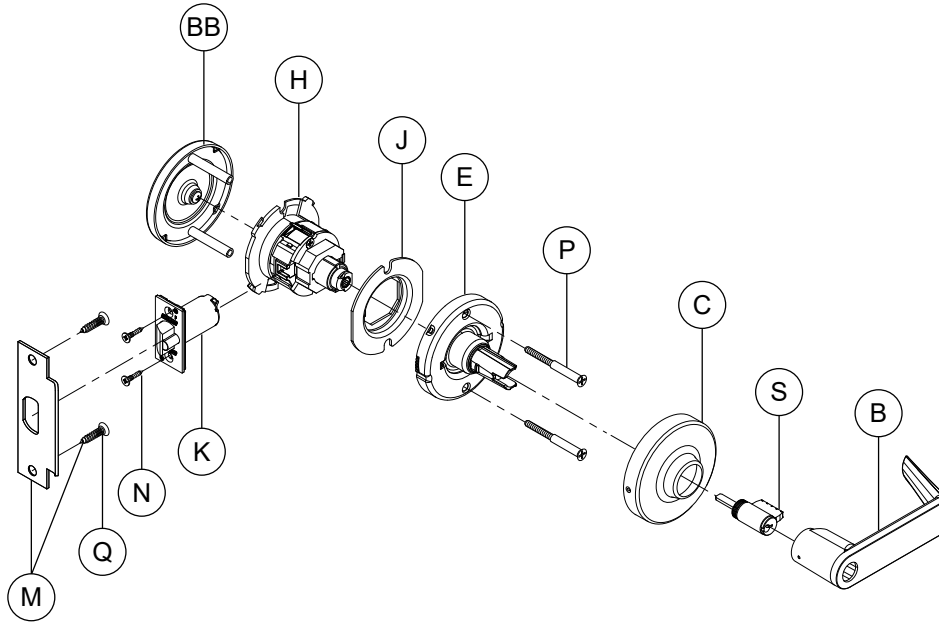
Letter	Description	Part number
M	Strike assembly	10-025
N	Latch screws	C603-897
P	Mounting screws	47266670
Q	Strike screws	C603-256
S	Cylinder—6-pin	23-065
BB	Outside Rose Assembly	47739993

✓ For RD (Full Size Interchangeable Core) and GD (SFIC) inside trim configurations, see page 116.

Special— storeroom exit lock

ND25X80

ND25X80PD (shown), ND25X80RD ✓, ND25X80GD ✓



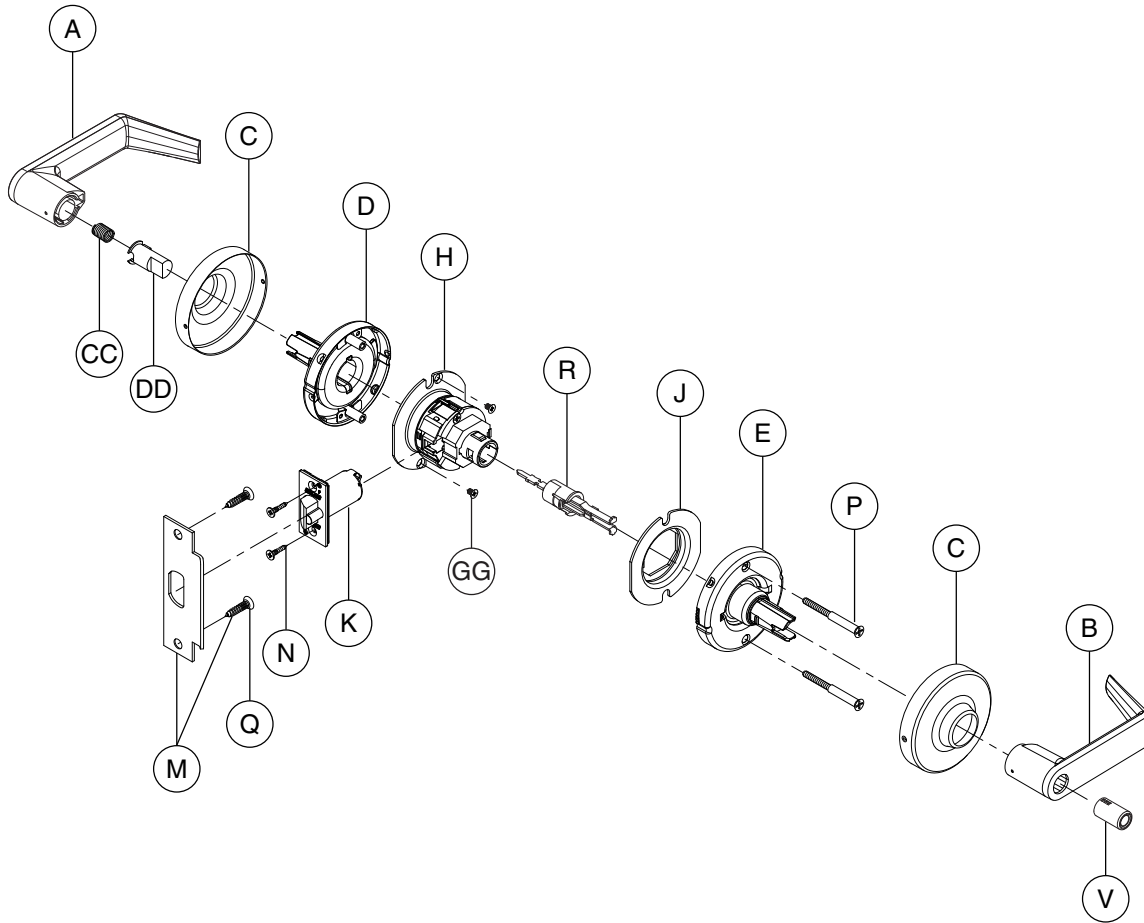
Letter	Description	Part number
B	Inside lever—open (cylinder)	03-231 RHO
C	Rose	03-042
E	Inside spring cage—keyed inside except SFIC	N523-222
H	Chassis	S00031720946-KIT
J	Anti-rotation plate	N523-055
K	Dead latch	13-247

Letter	Description	Part number
M	Strike assembly	10-025
N	Latch screws	C603-897
P	Mounting screws	47266670
Q	Strike screwsx	C603-256
S	Cylinder—6-pin	23-065
BB	Outside Rose Assembly	47739993

✓ For RD (Full Size Interchangeable Core) and GD (SFIC) inside trim configurations, see page 116.

Special— patio lock

ND30

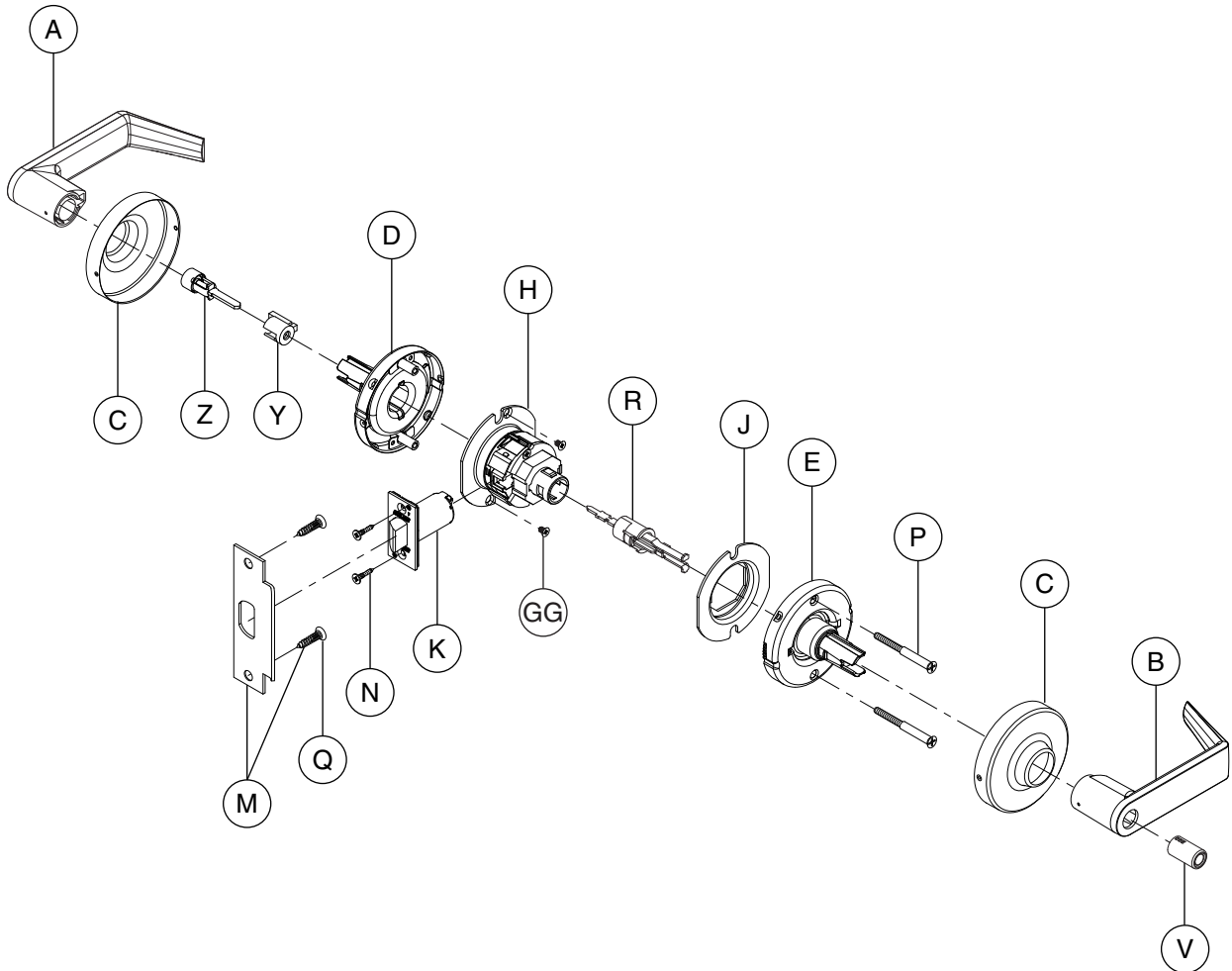


Letter	Description	Part number
A	Outside lever—closed	03-230 RHO
B	Inside lever—open (button)	03-233 RHO
C	Rose	03-042
D	Outside spring cage assembly—standard	N523-218
E	Inside spring cage assembly—standard	N523-221
H	Chassis	S00031733663-KIT
J	Anti-rotation plate	N523-055
K	Dead latch	13-247

Letter	Description	Part number
M	Strike assembly	10-025
N	Latch screws	C603-897
P	Mounting screws	N523-021
Q	Strike screws	C603-256
R	Plunger assembly—push button	N123-086
V	Push button	N523-209
CC	Spring, plunger	C503-331
DD	Catch stop	N523-041
GG	Adjustment plate screws	N523-240

Bath/bedroom privacy lock

ND40

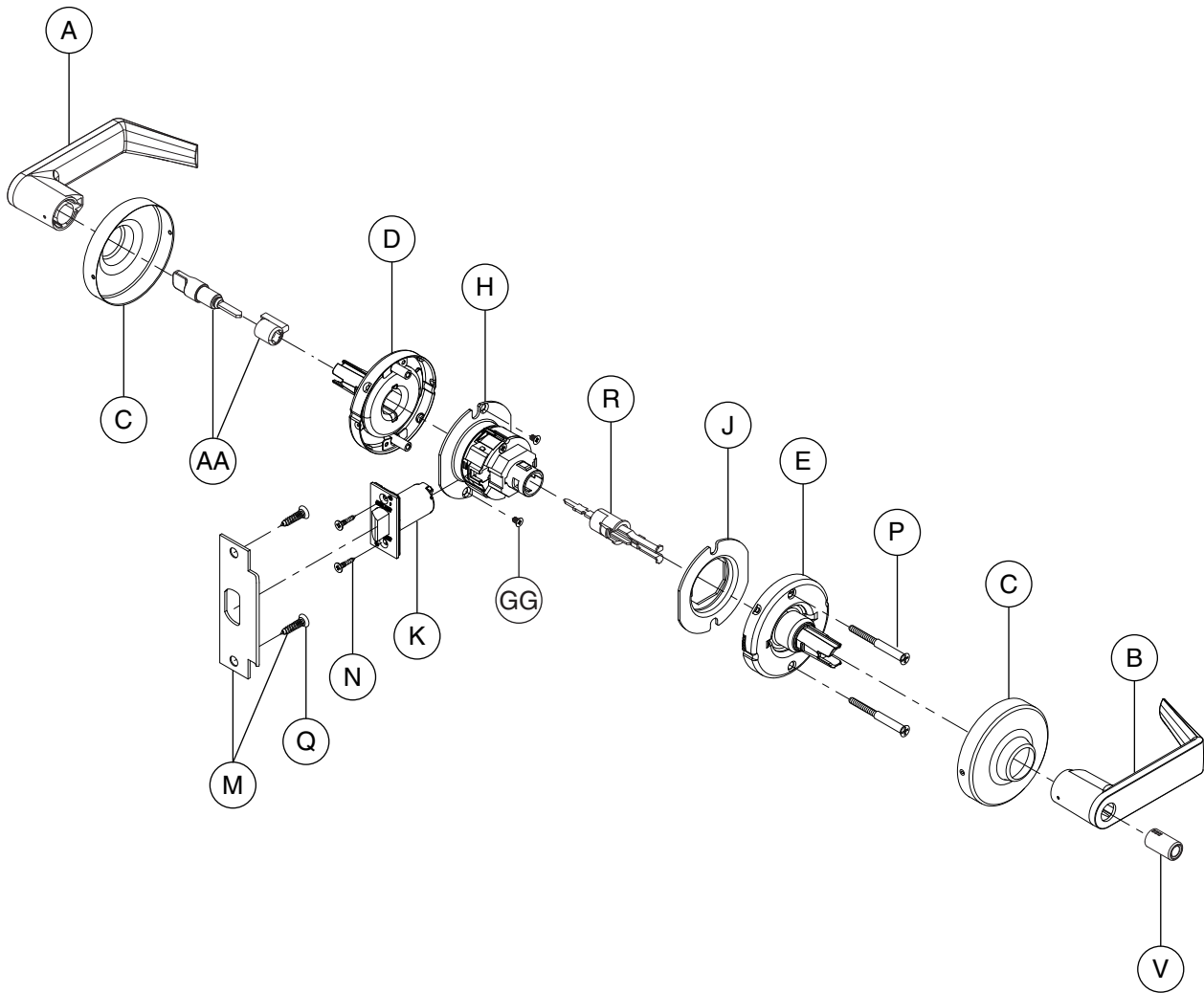


Letter	Description	Part number
A	Outside lever—open (cylinder)	03-231 RHO
B	Inside lever—open (button)	03-233 RHO
C	Rose	03-042
D	Outside spring cage assembly—standard	N523-218
E	Inside spring cage assembly—standard	N523-221
H	Chassis	S00031733663-KIT
J	Anti-rotation plate	N523-055
K	Spring latch	13-248

Letter	Description	Part number
M	Strike assembly	10-025
N	Latch screws	C603-897
P	Mounting screws	N523-021
Q	Strike screws	C603-256
R	Plunger assembly—push button	N123-086
V	Push button	N523-209
Y	Emergency cylinder	N523-020
Z	Emergency button and plunger	N123-034
GG	Adjustment plate screws	N523-240

Hospital privacy lock

ND44

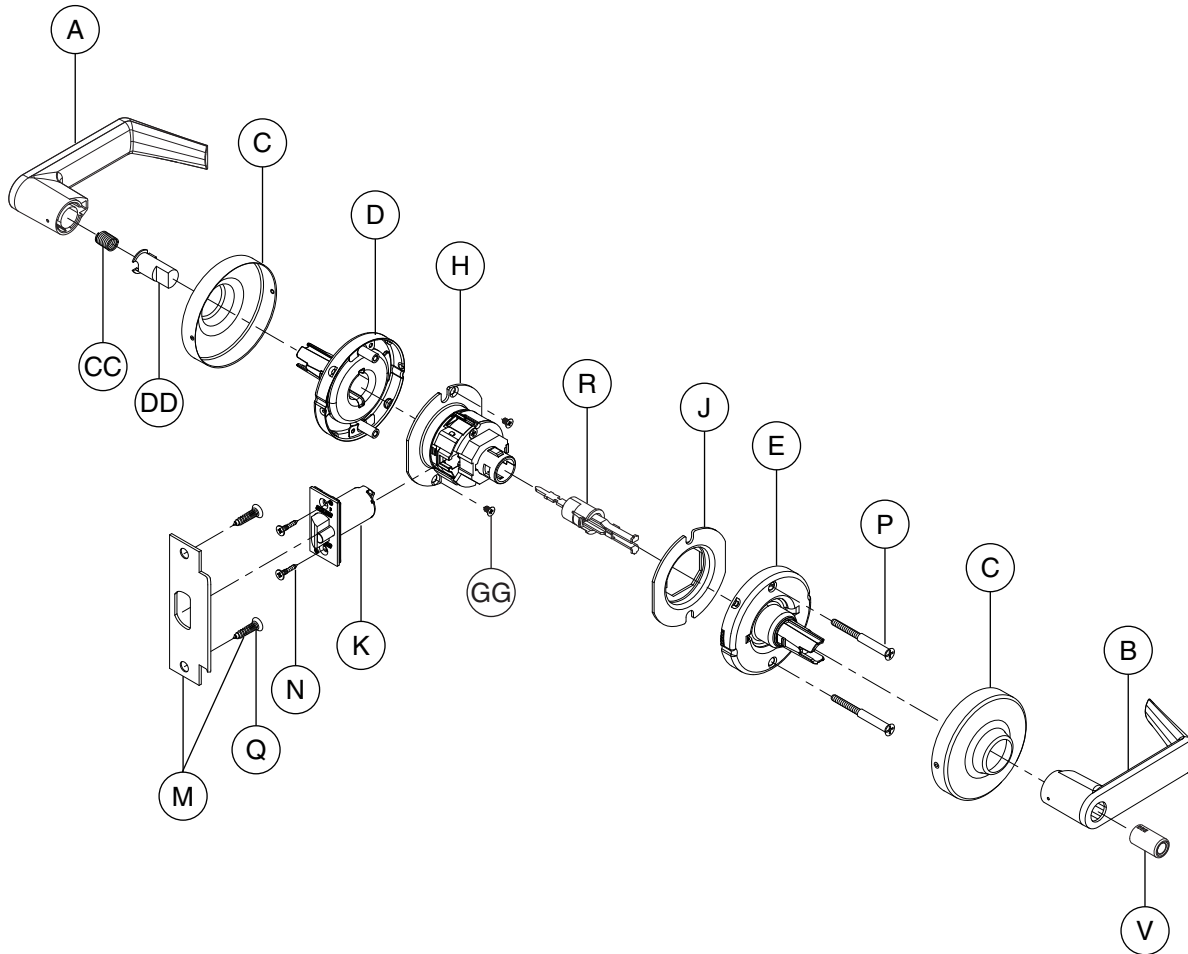


Letter	Description	Part number
A	Outside lever—open (cylinder)	03-231 RHO
B	Inside lever—open (button)	03-233 RHO
C	Rose	03-042
D	Outside spring cage assembly—standard	N523-218
E	Inside spring cage assembly—standard	N523-221
H	Chassis	S00031733663-KIT
J	Anti-rotation plate	N523-055
K	Spring latch	13-248

Letter	Description	Part number
M	Strike assembly	10-025
N	Latch screws	C603-897
P	Mounting screws	N523-021
Q	Strike screws	C603-256
R	Plunger assembly—push button	N123-086
V	Push button	N523-209
AA	Outside button assembly	N123-084
GG	Adjustment plate screws	N523-240

Time out lock with Vandlgard®

ND45



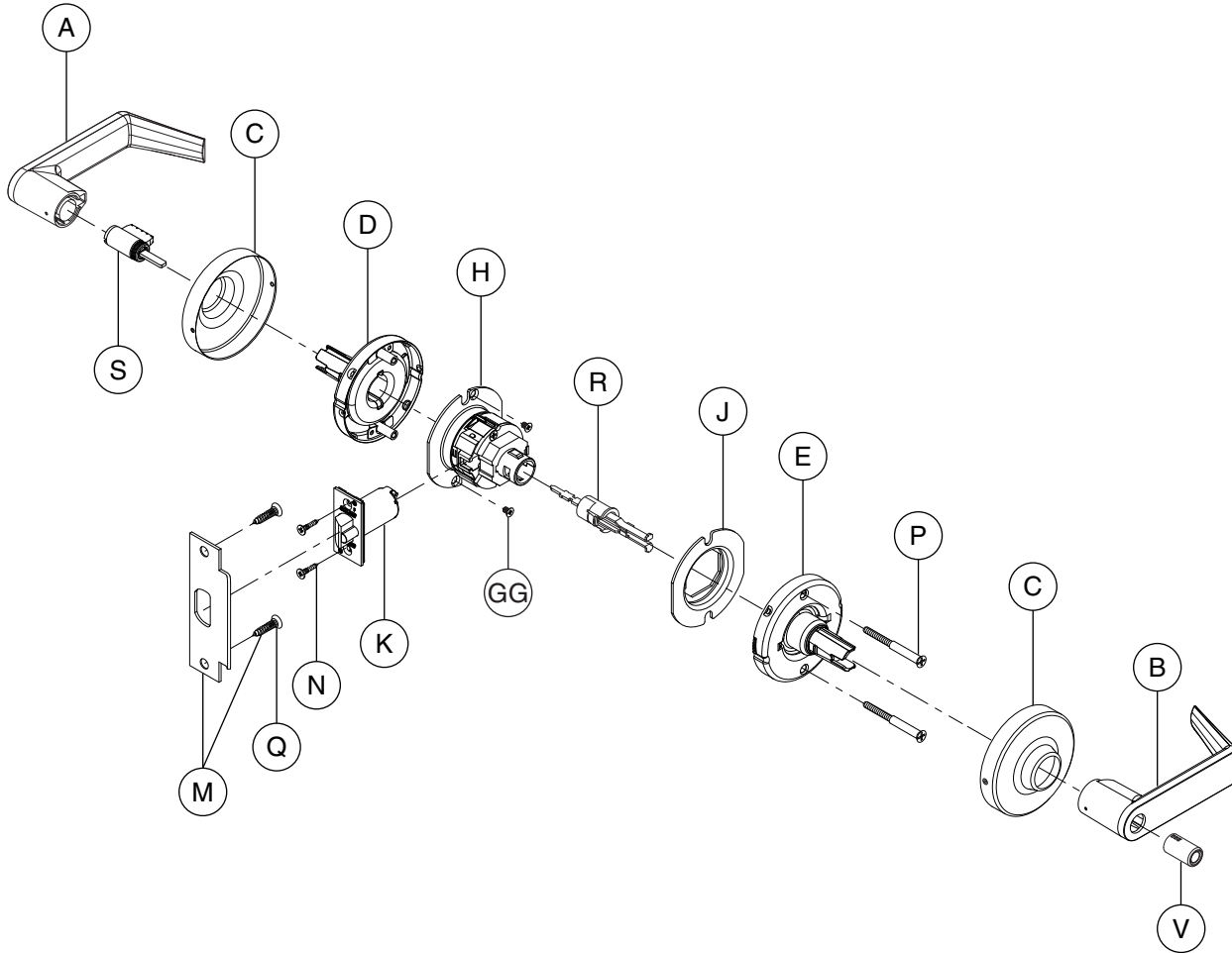
Letter	Description	Part number
A	Outside lever—closed	03-230 RHO
B	Inside lever—open (button)	03-233 RHO
C	Rose	03-042
D	Outside spring cage assembly—standard	N523-218
E	Inside spring cage assembly—standard	N523-221
H	Chassis	S00031969024-KIT
J	Anti-rotation plate	N523-055
K	Dead latch	13-247

Letter	Description	Part number
M	Strike assembly	10-025
N	Latch screws	C603-897
P	Mounting screws	N523-021
Q	Strike screws	C603-256
R	Plunger assembly—push button	N123-086
V	Push button	N523-209
CC	Spring, plunger	C503-331
DD	Catch stop	N523-041
GG	Adjustment plate screws	N523-240

Entrance/office lock

ND50

ND50PD (shown), ND50RD ✓, ND50GD ✓



Letter	Description	Part number
A	Outside lever—open (cylinder)	03-231 RHO
B	Inside lever—open (button)	03-233 RHO
C	Rose	03-042
D	Outside spring cage assembly—standard	N523-218
E	Inside spring cage assembly—standard	N523-221
H	Chassis	S00031721097-KIT
J	Anti-rotation plate	N523-055
K	Dead latch	13-247

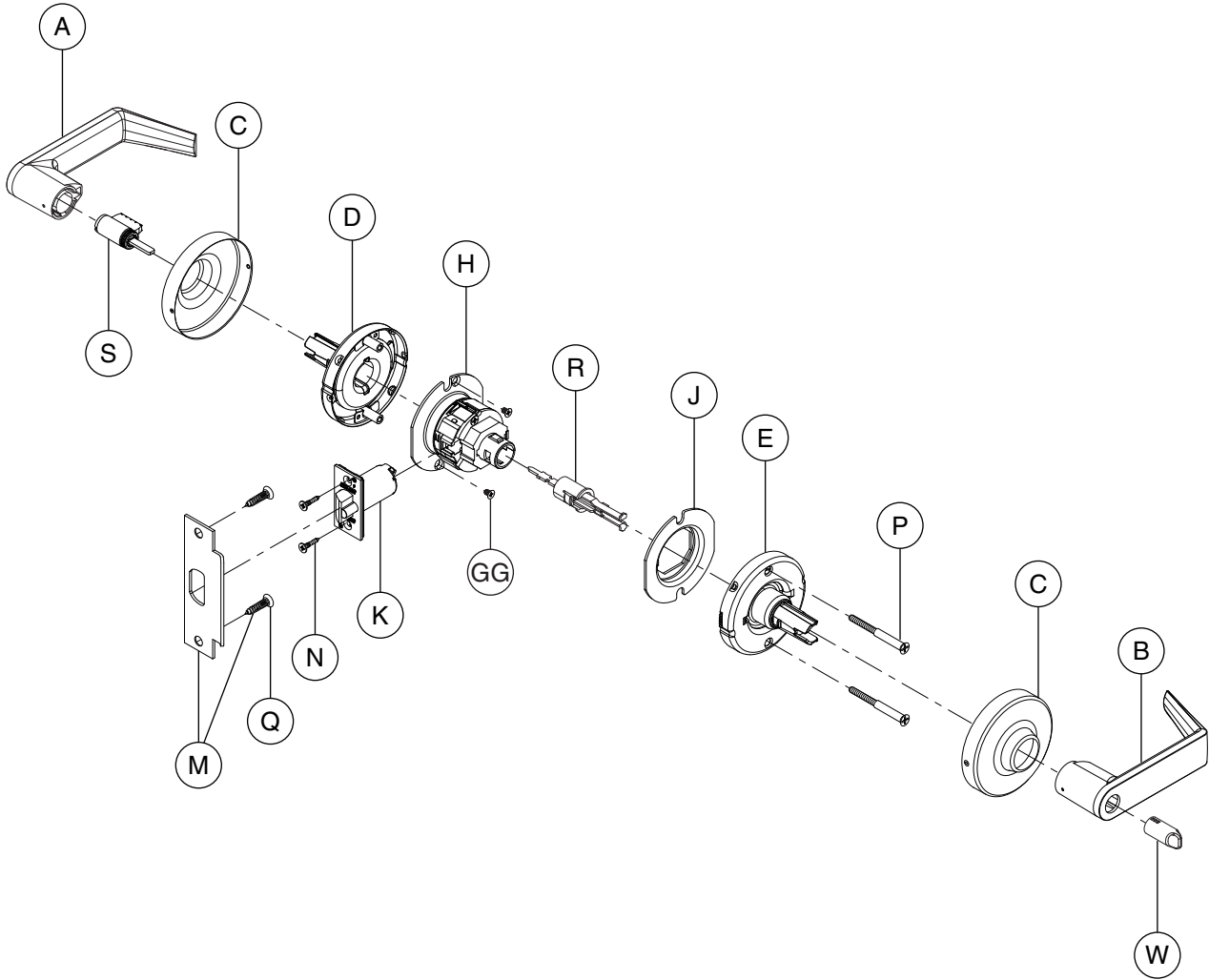
Letter	Description	Part number
M	Strike assembly	10-025
N	Latch screw	C603-897
P	Mounting screw	N523-021
Q	Strike screw	C603-256
R	Plunger—push button	N123-086
S	Cylinder—6-pin	23-065
V	Push button	N523-209
GG	Adjustment plate screws	N523-240

✓ For RD (Full Size Interchangeable Core) and GD (SFIC) inside trim configurations, see page 116.

Entrance/office lock

ND53

ND53PD (shown), ND53RD ✓, ND53GD ✓



Letter	Description	Part number
A	Outside lever—open (cylinder)	03-231 RHO
B	Inside lever—open (button)	03-233 RHO
C	Rose	03-042
D	Outside spring cage—standard	N523-218
E	Inside spring cage—standard	N523-221
H	Chassis	S00031721097-KIT
J	Anti-rotation plate	N523-055
K	Dead latch	13-247

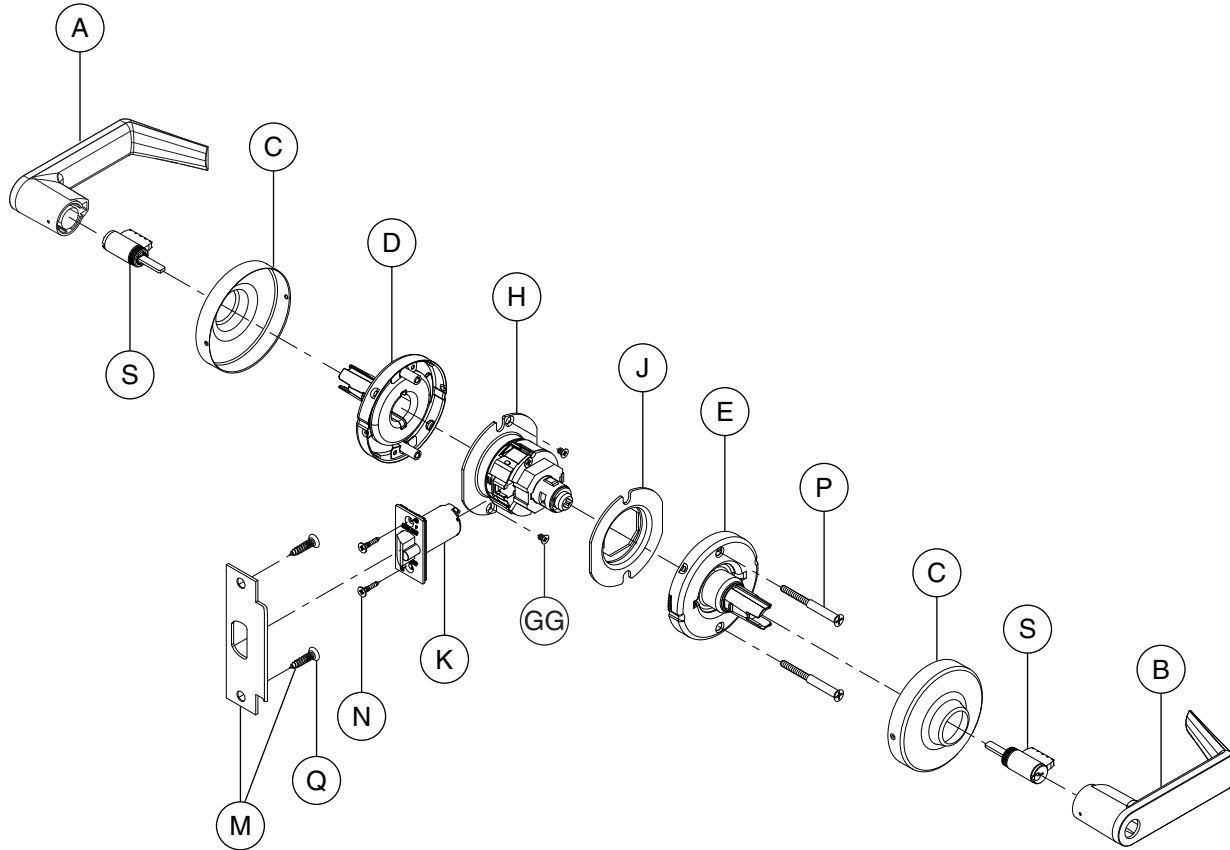
Letter	Description	Part number
M	Strike assembly	10-025
N	Latch screw	C603-897
P	Mounting screw	N523-021
Q	Strike screw	C603-256
R	Plunger—push and turn	N123-085
S	Cylinder—6-pin	23-065
W	Push and turn button	N523-210
GG	Adjustment plate screws	N523-240

✓ For RD (Full Size Interchangeable Core) and GD (SFIC) inside trim configurations, see page 116.

Vestibule lock

ND60

ND60PD (shown), ND60RD ✓, ND60GD ✓



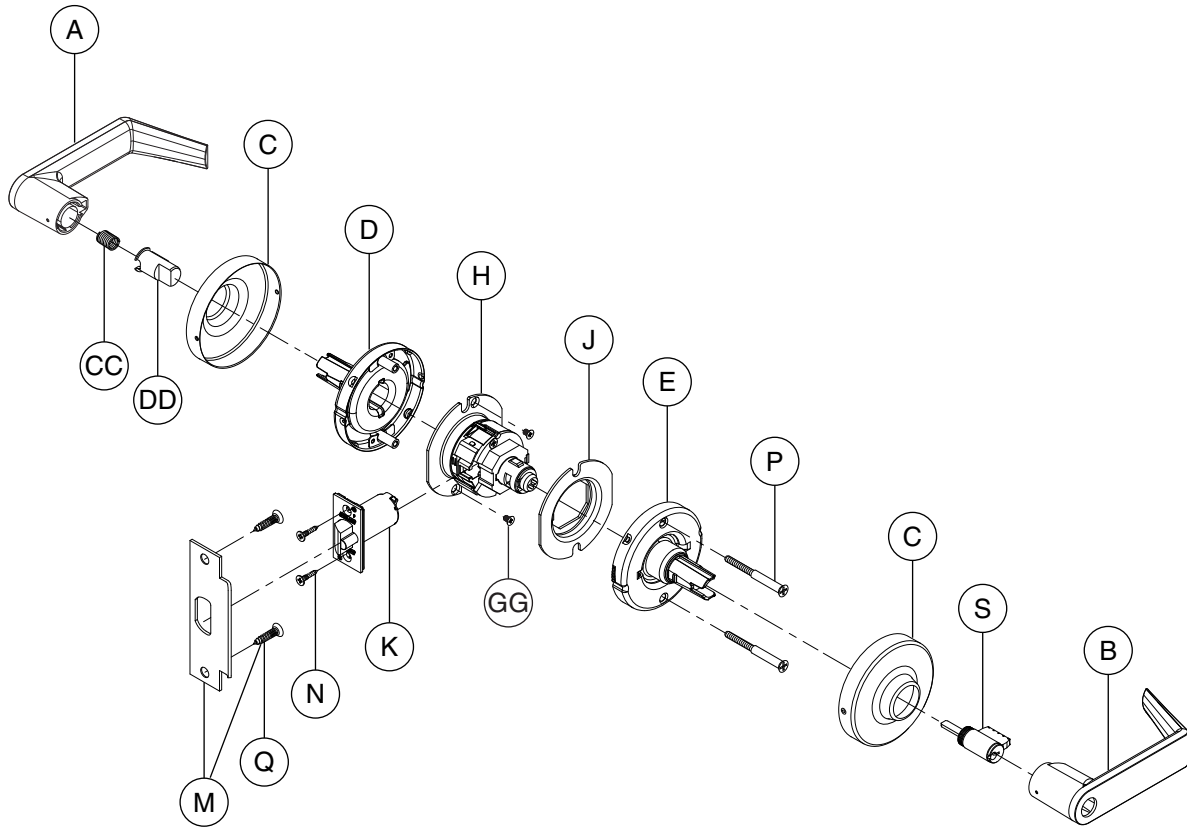
Letter	Description	Part number
A	Outside lever—open (cylinder)	03-231 RHO
B	Inside lever—open (cylinder)	03-231 RHO
C	Rose	03-042
D	Outside spring cage—standard	N523-218
E	Inside spring cage—keyed inside	N523-222
H	Chassis	S00031733762-KIT
J	Anti-rotation plate	N523-055

Letter	Description	Part number
K	Dead latch	13-247
M	Strike assembly	10-025
N	Latch screw	C603-897
P	Mounting screw	N523-021
Q	Strike screw	C603-256
S	Cylinder—6-pin	23-065
GG	Adjustment plate screws	N523-240

✓ For RD (Full Size Interchangeable Core) and GD (SFIC) inside trim configurations, see page 116.

Special— ND60 with closed outside lever

ND60PD with closed outside lever (shown), ND60RD ✓, ND60GD ✓



Letter	Description	Part number
A	Outside lever—closed	03-230 RHO
B	Inside lever—open (cylinder)	03-231 RHO
C	Rose	03-042
D	Outside spring cage—standard	N523-218
E	Inside spring cage—keyed inside	N523-222
H	Chassis	S00031733762-KIT
J	Anti-rotation plate	N523-055
K	Dead latch	13-247

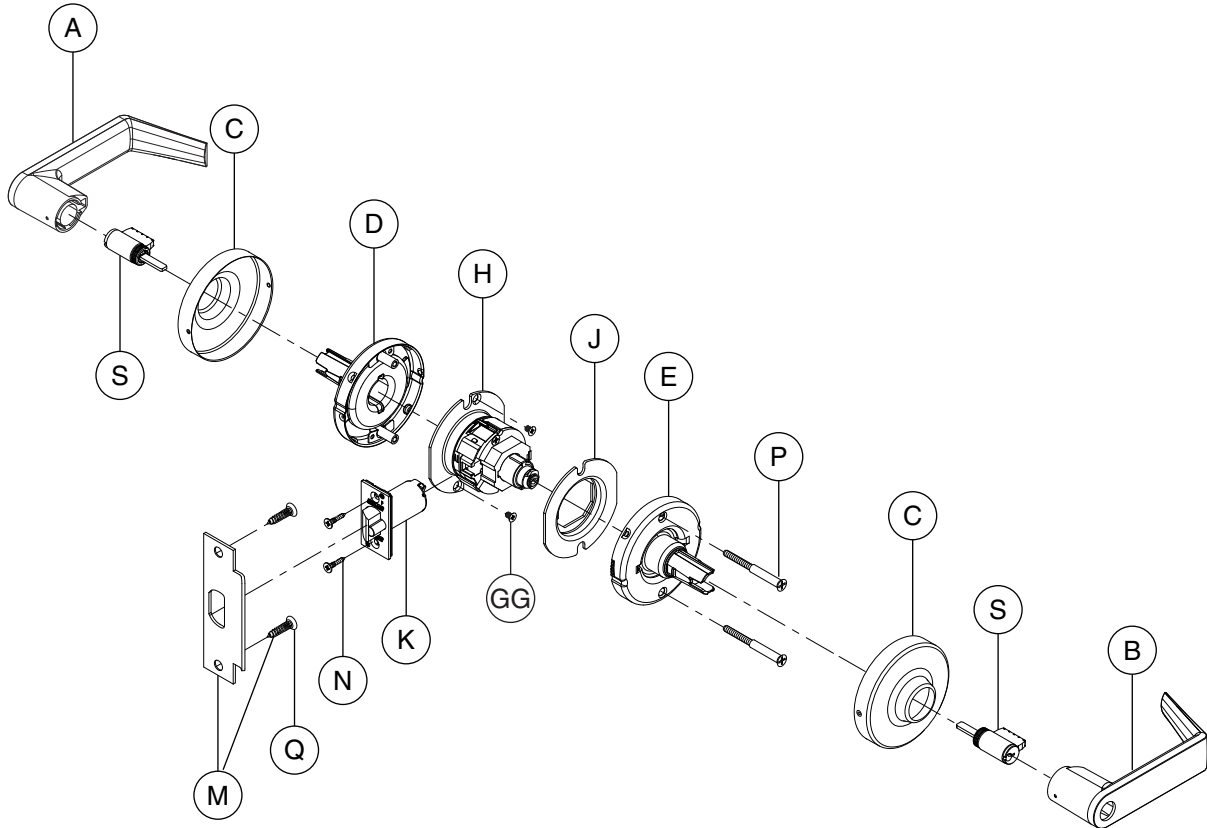
Letter	Description	Part number
M	Strike assembly	10-025
N	Latch screw	C603-897
P	Mounting screw	N523-021
Q	Strike screw	C603-256
S	Cylinder—6-pin	23-065
CC	Spring	C503-331
DD	Catch stop	N523-041
GG	Adjustment plate screws	N523-240

✓ For RD (Full Size Interchangeable Core) and GD (SFIC) inside trim configurations, see page 116.

Store lock

ND66

ND66PD (shown), ND66RD ✓, ND66GD ✓



Letter	Description	Part number
A	Outside lever—open (cylinder)	03-231 RHO
B	Inside lever—open (cylinder)	03-231 RHO
C	Rose	03-042
D	Outside spring cage—standard	N523-218
E	Inside spring cage—keyed inside	N523-222
H	Chassis	S00031733793-KIT
J	Anti-rotation plate	N523-055

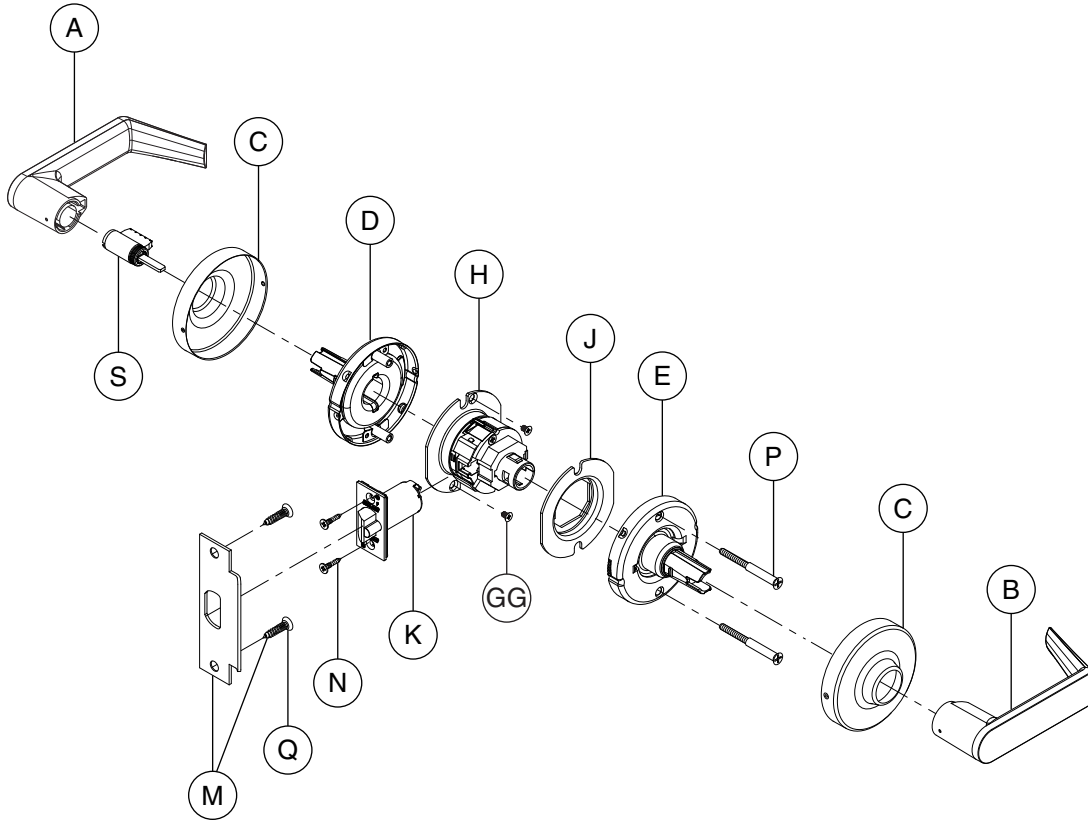
Letter	Description	Part number
K	Dead latch	13-247
M	Strike assembly	10-025
N	Latch screw	C603-897
P	Mounting screw	N523-021
Q	Strike screw	C603-256
S	Cylinder—6-pin	23-065
GG	Adjustment plate screws	N523-240

✓ For RD (Full Size Interchangeable Core) and GD (SFIC) inside trim configurations, see page 116.

Classroom lock

ND70

ND70PD (shown), ND70RD ✓, ND70GD ✓



Letter	Description	Part number
A	Outside lever—open (cylinder)	03-231 RHO
B	Inside lever—closed	03-230 RHO
C	Rose	03-042
D	Outside spring cage—standard	N523-218
E	Inside spring cage—standard	N523-221
H	Chassis	S00031733809-KIT
J	Anti-rotation plate	N523-055

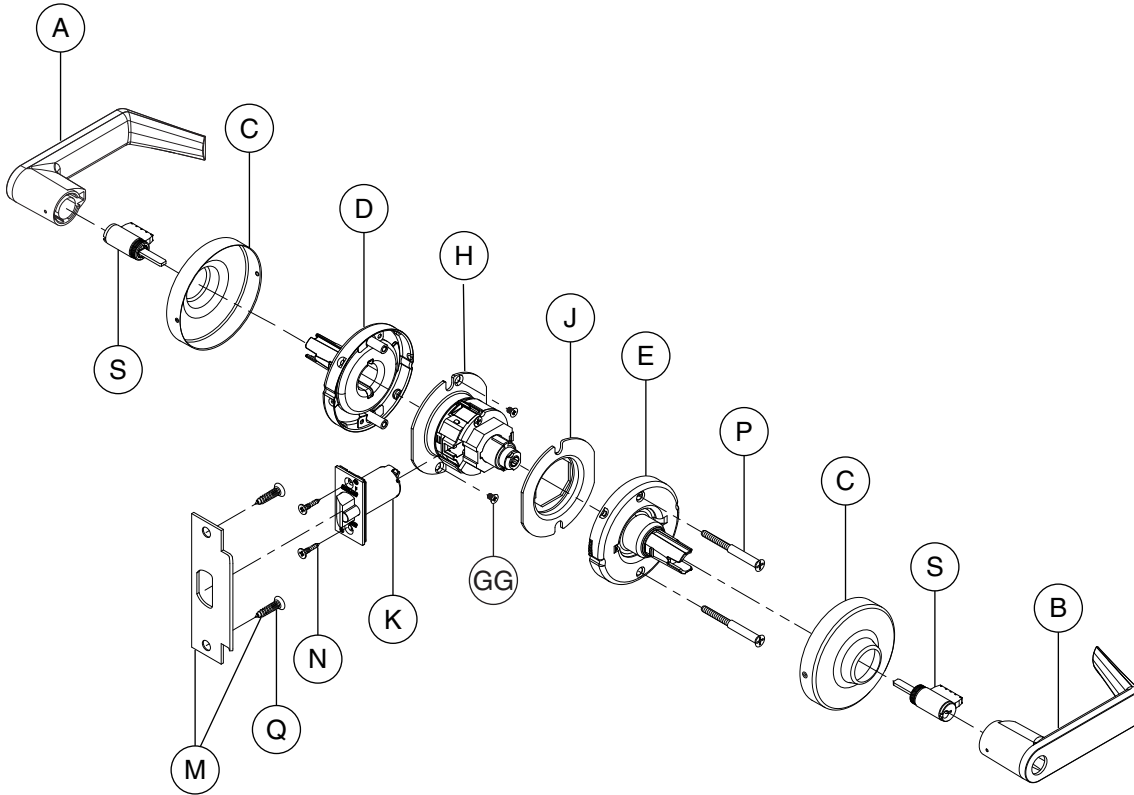
Letter	Description	Part number
K	Dead latch	13-247
M	Strike assembly	10-025
N	Latch screw	C603-897
P	Mounting screw	N523-021
Q	Strike screw	C603-256
S	Cylinder—6-pin	23-065
GG	Adjustment plate screws	N523-240

✓ For RD (Full Size Interchangeable Core) and GD (SFIC) inside trim configurations, see page 116.

Special— classroom by storeroom lock

ND70X80

ND70X80PD (shown), NDX80RD ✓, ND70X80GD ✓



Letter	Description	Part number
A	Outside lever—open (cylinder)	03-231 RHO
B	Inside lever—open (cylinder)	03-231 RHO
C	Rose	03-042
D	Outside spring cage—standard	N523-218
E	Inside spring cage—keyed inside	N523-222
H	Chassis	S00031720984-KIT
J	Anti-rotation plate	N523-055

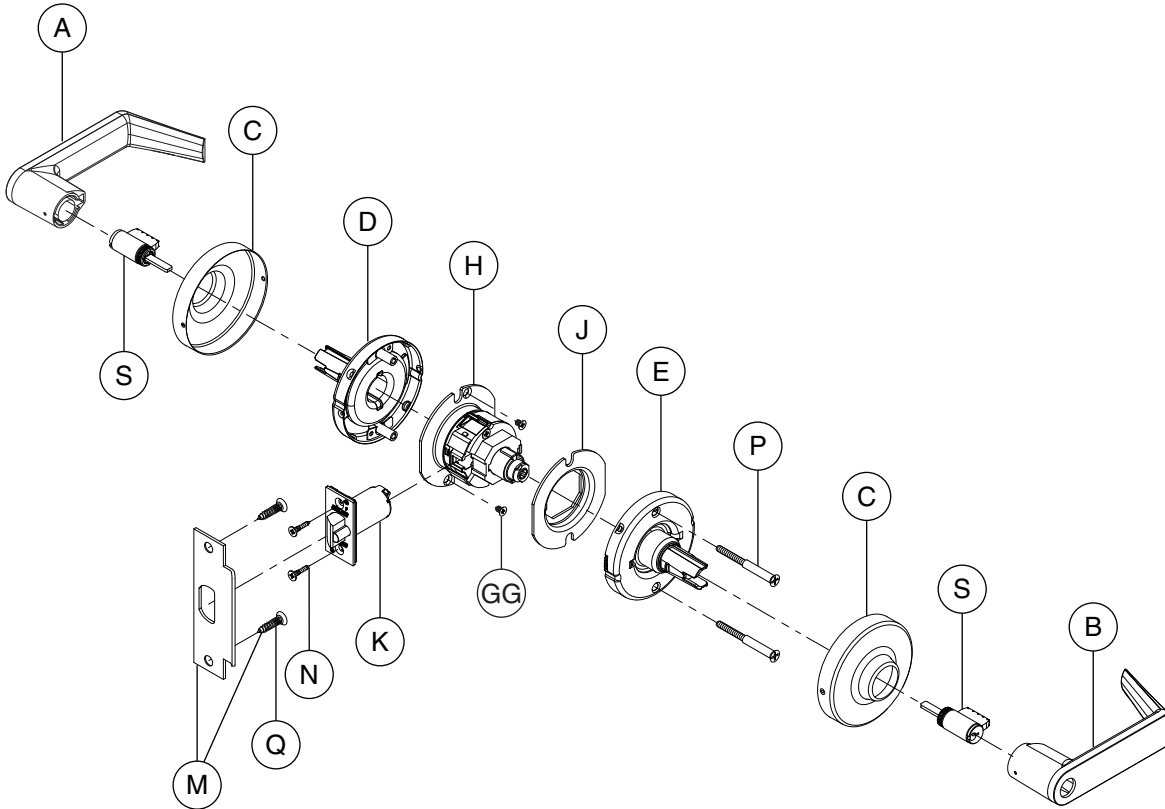
Letter	Description	Part number
K	Dead latch	13-247
M	Strike assembly	10-025
N	Latch screw	C603-897
P	Mounting screw	N523-021
Q	Strike screw	C603-256
S	Cylinder—6-pin	23-065
GG	Adjustment plate screws	N523-240

✓ For RD (Full Size Interchangeable Core) and GD (SFIC) inside trim configurations, see page 116.

Special— communicating lock

ND72

ND72PD (shown), ND72RD ✓, ND72GD ✓



Letter	Description	Part number
A	Outside lever—open (cylinder)	03-231 RHO
B	Inside lever—open (cylinder)	03-231 RHO
C	Rose	03-042
D	Outside spring cage—standard	N523-218
E	Inside spring cage—keyed inside	N523-222
H	Chassis	S00031720328-KIT
J	Anti-rotation plate	N523-055

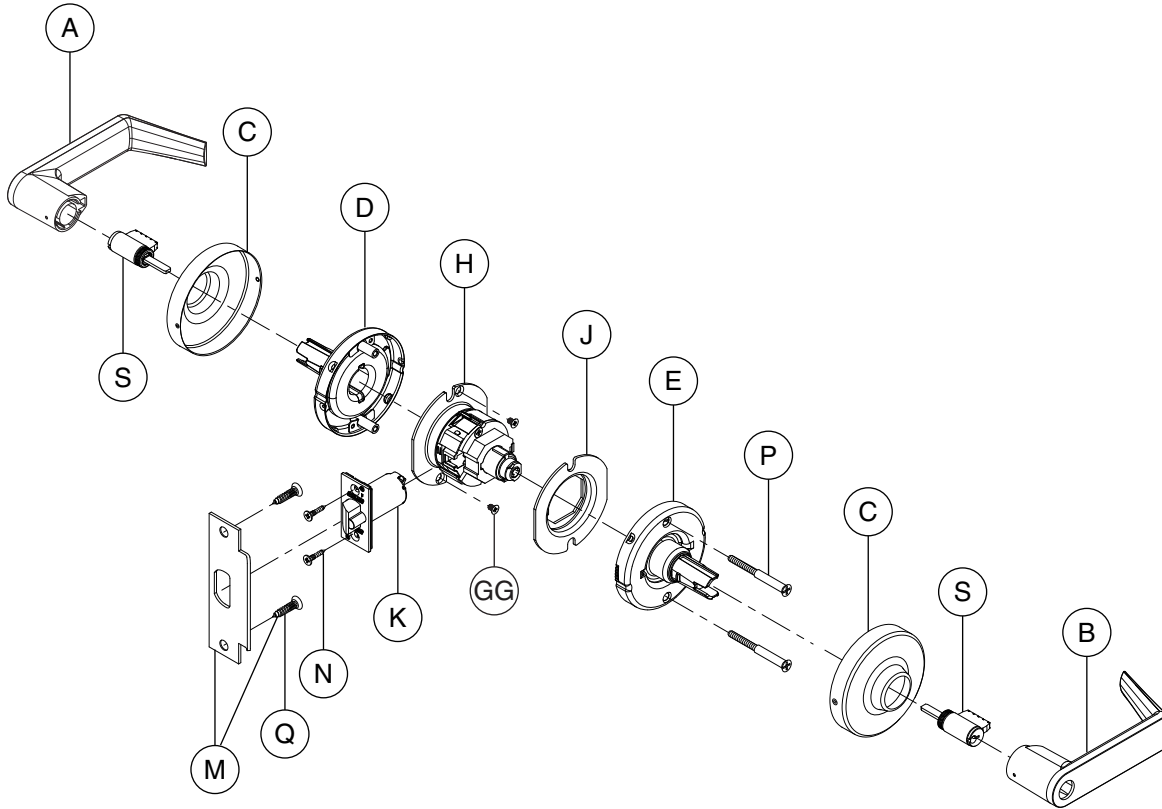
Letter	Description	Part number
K	Dead latch	13-247
M	Strike assembly	10-025
N	Latch screw	C603-897
P	Mounting screw	N523-021
Q	Strike screw	C603-256
S	Cylinder—6-pin	23-065
GG	Adjustment plate screws	N523-240

✓ For RD (Full Size Interchangeable Core) and GD (SFIC) inside trim configurations, see page 116.

Special— communicating lock with Vandlgard®

ND72 Vandlgard®

ND72PD Vandlgard® (shown), ND72RD Vandlgard®*, ND72GD Vandlgard®*



Letter	Description	Part number
A	Outside lever—open (cylinder)	03-231 RHO
B	Inside lever—open (cylinder)	03-231 RHO
C	Rose	03-042
D	Outside spring cage—standard	N523-218
E	Inside spring cage—keyed inside except SFIC	N523-222
H	Chassis	24088205*
J	Anti-rotation plate	N523-055

Letter	Description	Part number
K	Dead latch	13-247
M	Strike assembly	10-025
N	Latch screw	C603-897
P	Mounting screw	N523-021
Q	Strike screw	C603-256
S	Cylinder—6-pin	23-065
GG	Adjustment plate screws	N523-240

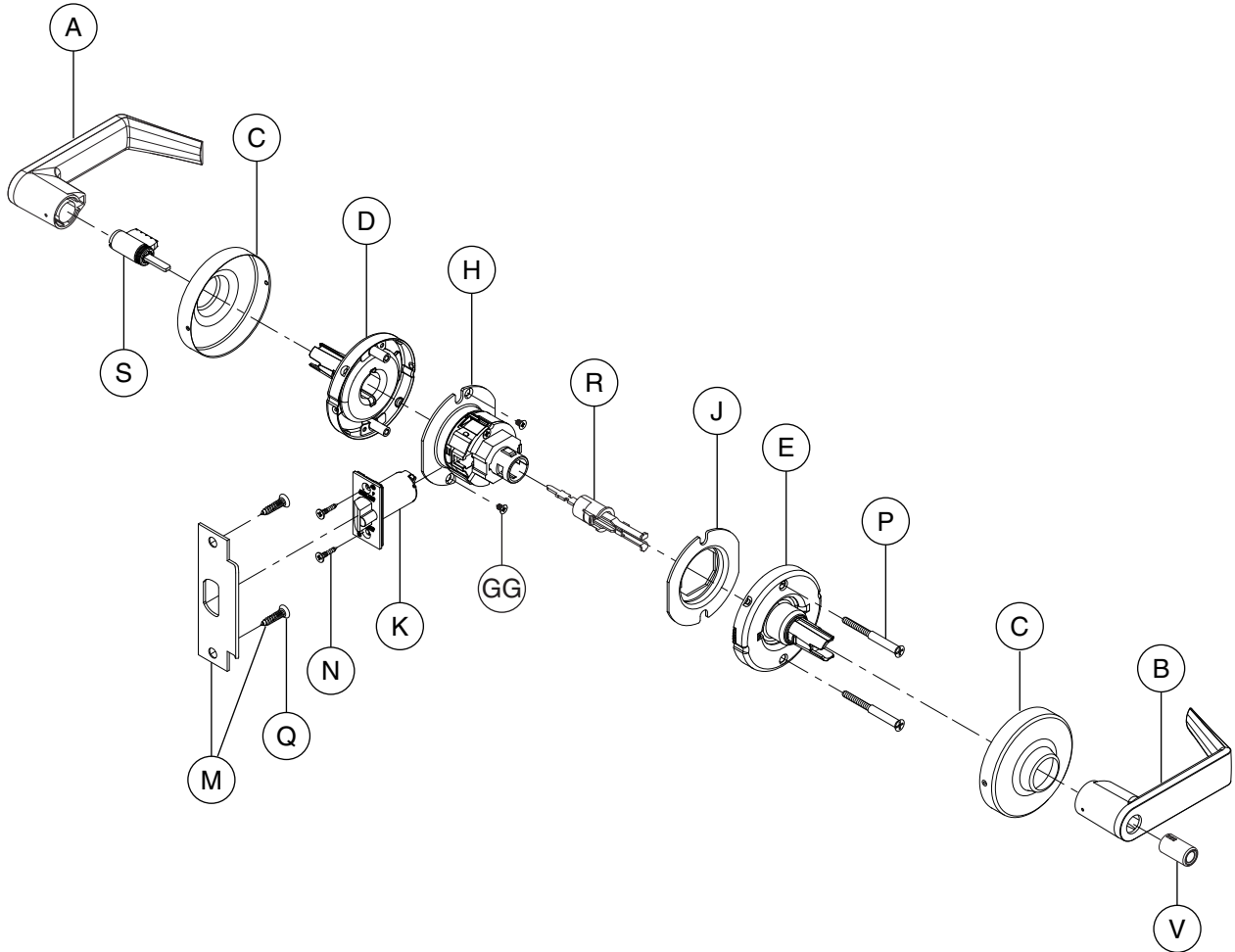
✓ For RD (Full Size Interchangeable Core) and GD (SFIC) inside trim configurations, see page 116.

* Chassis part number is for reference only. Not sold separately.

Corridor lock

ND73

ND73PD (shown), ND73RD ✓, ND73GD ✓



Letter	Description	Part number
A	Outside lever—open (cylinder)	03-231 RHO
B	Inside lever—open (button)	03-233 RHO
C	Rose	03-042
D	Outside spring cage—standard	N523-218
E	Inside spring cage—standard	N523-221
H	Chassis	S00031733830-KIT
J	Anti-rotation plate	N523-055
K	Dead latch	13-247

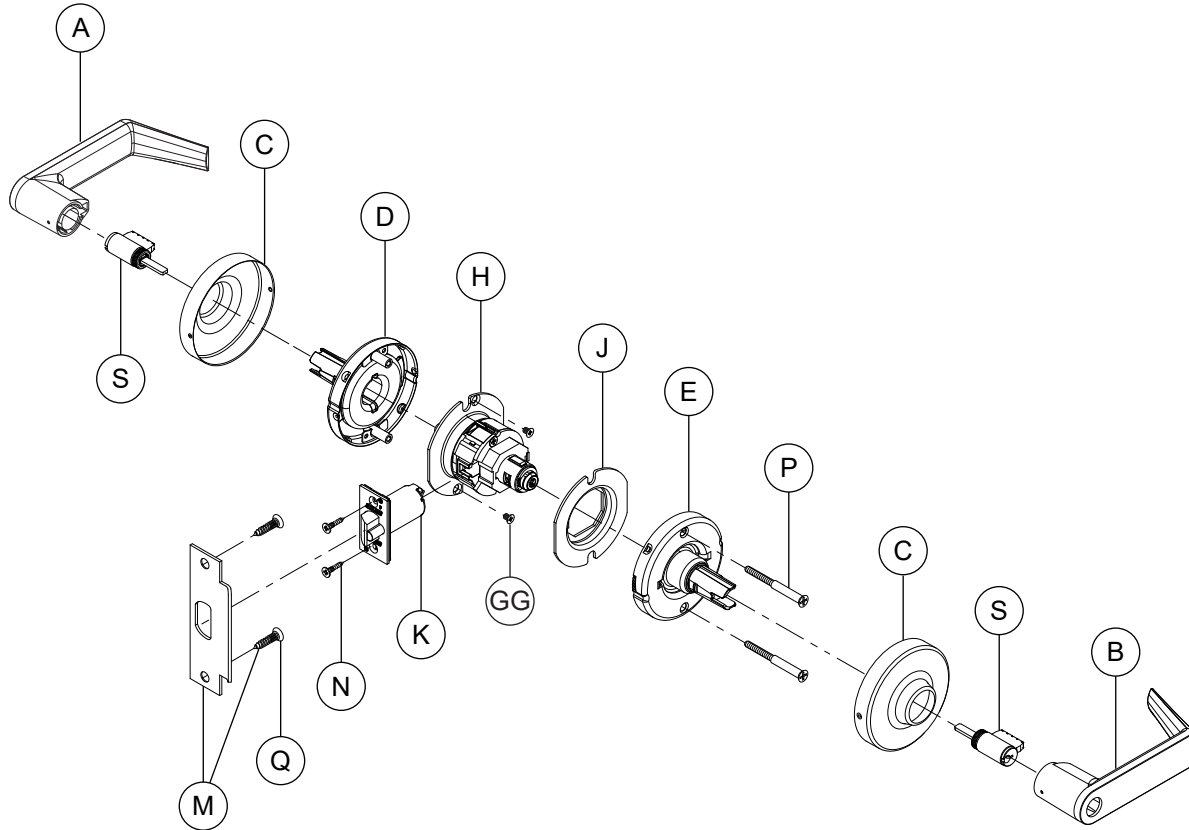
Letter	Description	Part number
M	Strike assembly	10-025
N	Latch screw	C603-897
P	Mounting screw	N523-021
Q	Strike screw	C603-256
R	Plunger—push button	N123-086
S	Cylinder—6-pin	23-065
V	Push button	N523-209
GG	Adjustment plate screws	N523-240

✓ For RD (Full Size Interchangeable Core) and GD (SFIC) inside trim configurations, see page 116.

Classroom security lock (180-degree lockdown)

ND78

ND78PD (shown), ND78RD ✓, ND78GD ✓



Letter	Description	Part number
A	Outside lever—open (cylinder)	03-231 RHO
B	Inside lever—open (cylinder)	03-231 RHO
C	Rose	03-042
D	Outside spring cage—standard	N523-218
E	Inside spring cage—keyed inside	N523-222
H	Chassis	47277080-KIT
J	Anti-rotation plate	N523-055

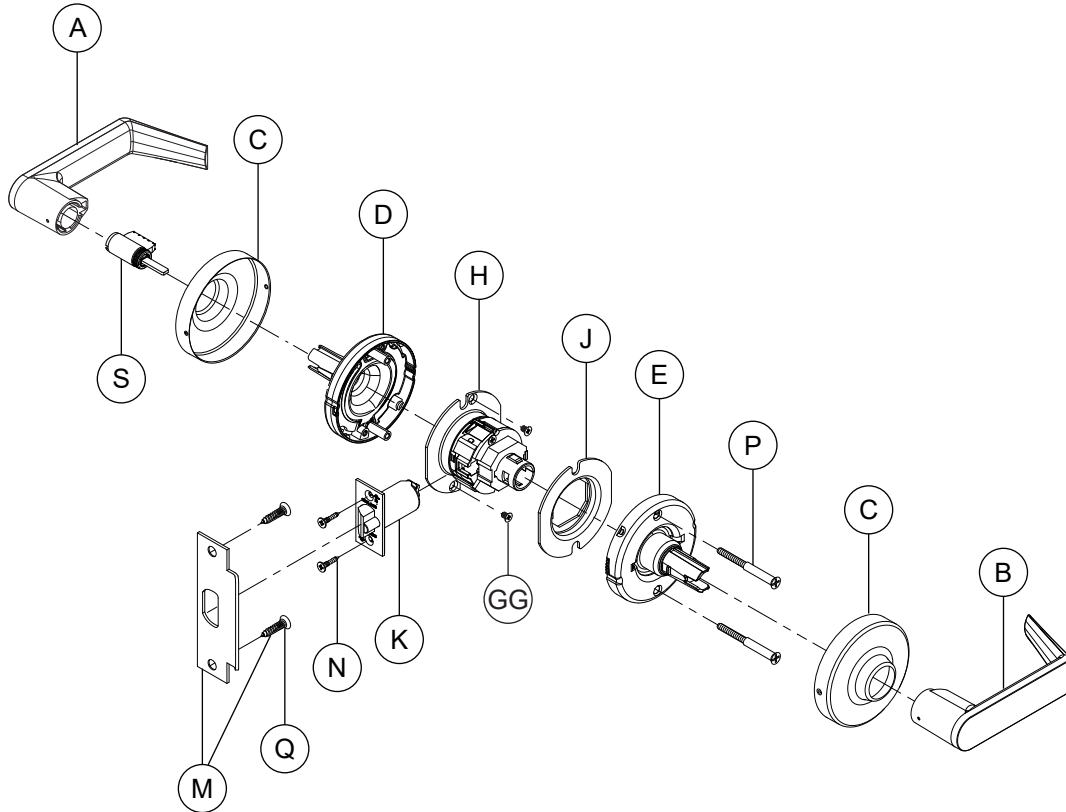
Letter	Description	Part number
K	Dead latch	13-247
M	Strike assembly	10-025
N	Latch screw	C603-897
P	Mounting screw	N523-021
Q	Strike screw	C603-256
S	Cylinder—6-pin	23-065
GG	Adjustment plate screws	N523-240

✓ For RD (Full Size Interchangeable Core) and GD (SFIC) inside trim configurations, see page 116.

Storeroom lock

ND80

ND80PD (shown), ND80RD ✓, ND80GD ✓



Letter	Description	Part number
A	Outside lever—open (cylinder)	03-231 RHO
B	Inside lever—closed	03-230 RHO
C	Rose	03-042
D	Outside spring cage—fixed	47261997
E	Inside spring cage—standard	N523-221
H	Chassis	47767725-KIT
J	Anti-rotation plate	N523-055

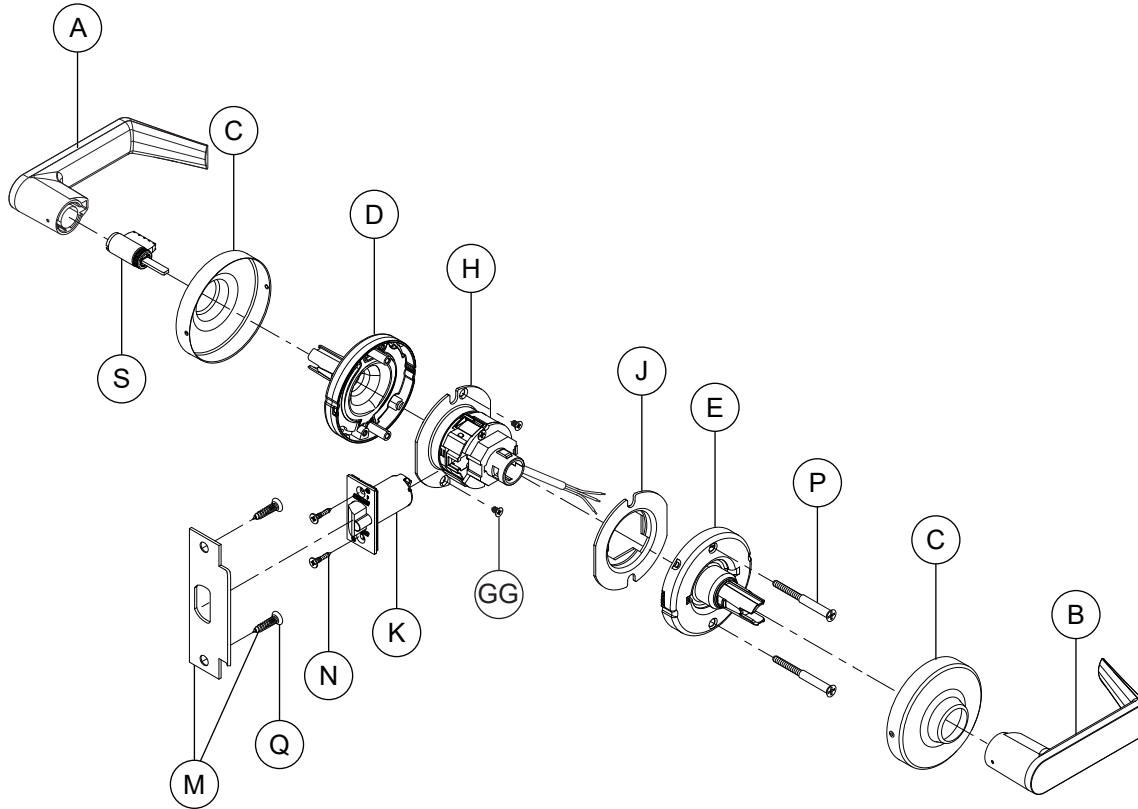
Letter	Description	Part number
K	Dead latch	13-247
M	Strike assembly	10-025
N	Latch screw	C603-897
P	Mounting screw	N523-021
Q	Strike screw	C603-256
S	Cylinder—6-pin	23-065
GG	Adjustment plate screws	N523-240

✓ For RD (Full Size Interchangeable Core) and GD (SFIC) inside trim configurations, see page 116.

Storeroom lock with request-to-exit

ND80 RX*

ND80PD RX (shown), ND80RD RX ✓, ND80GD RX ✓



Letter	Description	Part number
A	Outside lever—open (cylinder)	03-231 RHO
B	Inside lever—closed	03-230 RHO
C	Rose	03-042
D	Outside spring cage—fixed	47261997
E	Inside spring cage—standard	N523-221
H	Chassis	47767726**
J	Anti-rotation plate	N523-131

Letter	Description	Part number
K	Dead latch	13-247
M	Strike assembly	10-025
N	Latch screw	C603-897
P	Mounting screw	N523-021
Q	Strike screw	C603-256
S	Cylinder—6-pin	23-065
GG	Adjustment plate	N523-240

✓ For RD (Full Size Interchangeable Core) and GD (SFIC) inside trim configurations, see page 116.

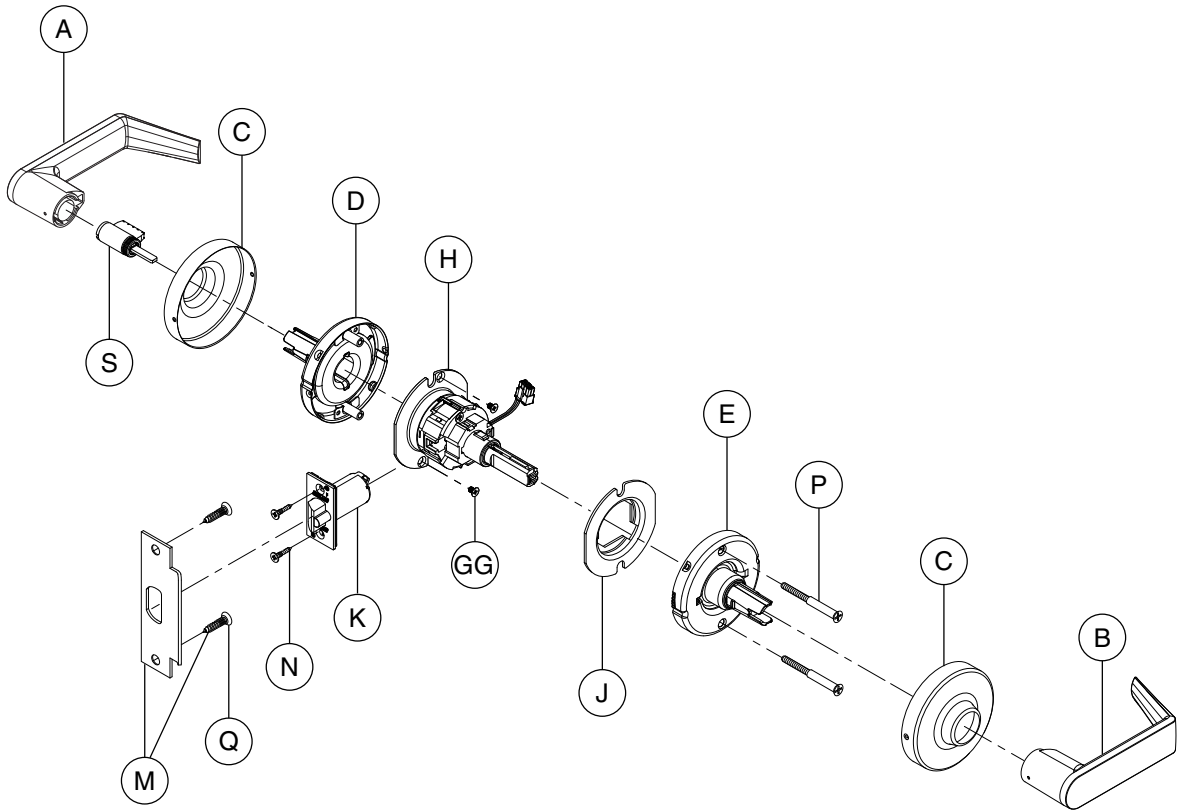
* For RX details, see **Request-to-exit feature** on page 125.

** Chassis part number is for reference only.

Storeroom lock— electrically locked (fail safe) or electrically unlocked (fail secure)

ND80EL or ND80EU*

ND80EL/ND80EUPD (shown), ND80EL/ND80EU/RD ✓, ND80EL/ND80EUGD ✓



Letter	Description	Part number
A	Outside lever—open (cylinder)	03-231 RHO
B	Inside lever—closed	03-230 RHO
C	Rose	03-042
D	Outside spring cage—standard	N523-218
E	Inside spring cage—standard	N523-221
H	Chassis, electrically locked	S00033868134-KIT
	Chassis, electrically unlocked	S00033868141-KIT
J	Anti-rotation plate	N523-055

Letter	Description	Part number
K	Deadatch	13-247
M	Strike assembly	10-025
N	Latch screw	C603-897
P	Mounting screw	N523-021
Q	Strike screw	C603-256
S	Cylinder—6-pin	23-065
GG	Adjustment plate screws	N523-240

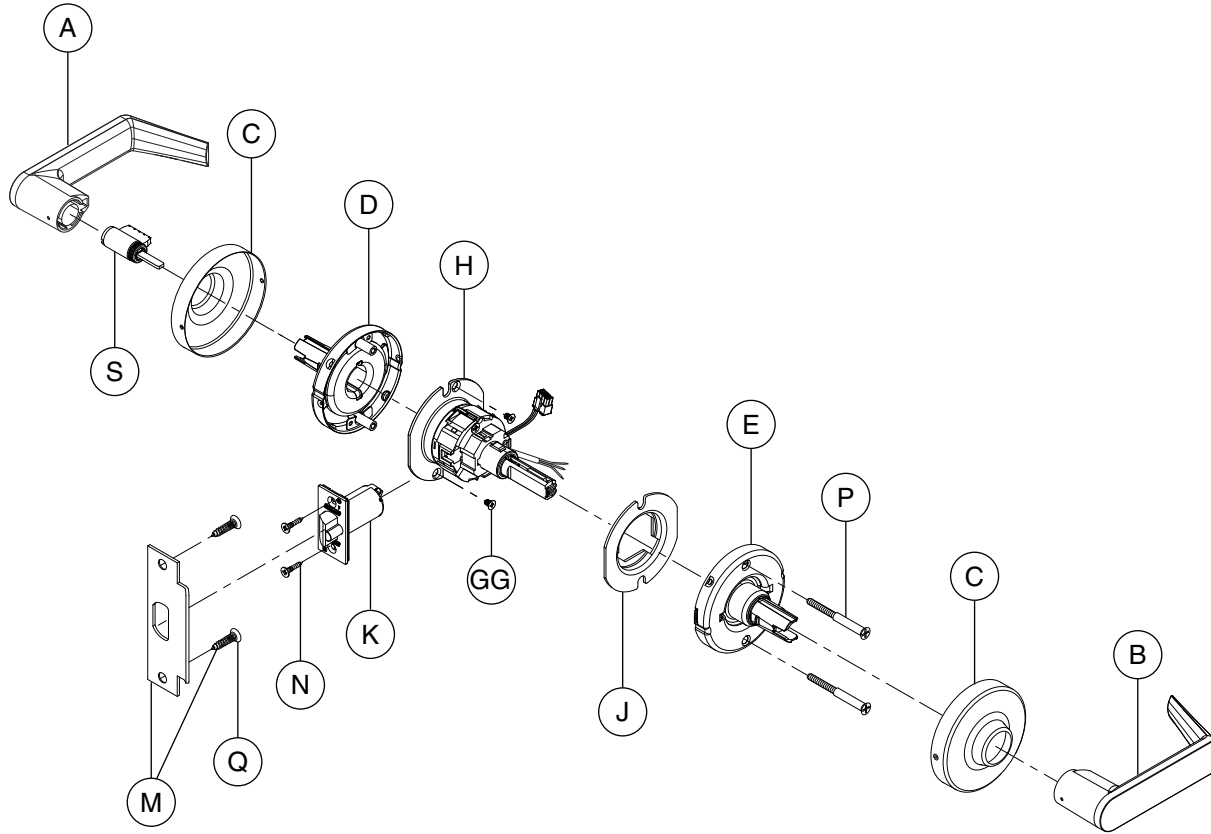
✓ For RD (Full Size Interchangeable Core) and GD (SFIC) outside trim configurations, see page 116.

* For electrified lock details, see **Electrified locks** on page 124.

Storeroom lock— electrically locked (fail safe) or electrically unlocked (fail secure) with request-to-exit

ND80EL RX or ND80EU RX*

ND80EL/ND80EUPD RX (shown), ND80EL/ND80EURD RX ✓, ND80EL/ND80EUGD RX ✓



Letter	Description	Part number
A	Outside Lever—open (cylinder)	03-231 RHO
B	Inside Lever—closed	03-230 RHO
C	Rose	03-042
D	Outside spring cage—standard	N523-218
E	Inside spring cage—standard	N523-221
H	Chassis, electrically locked	S00033868172-KIT
	Chassis, electrically unlocked	S00033868189-KIT
J	Anti-rotation plate	N523-131

Letter	Description	Part number
K	Dead latch	13-247
M	Strike assembly	10-025
N	Latch screw	C603-897
P	Mounting screw	N523-021
Q	Strike screw	C603-256
S	Cylinder—6-pin	23-065
GG	Adjustment plate screws	N523-240

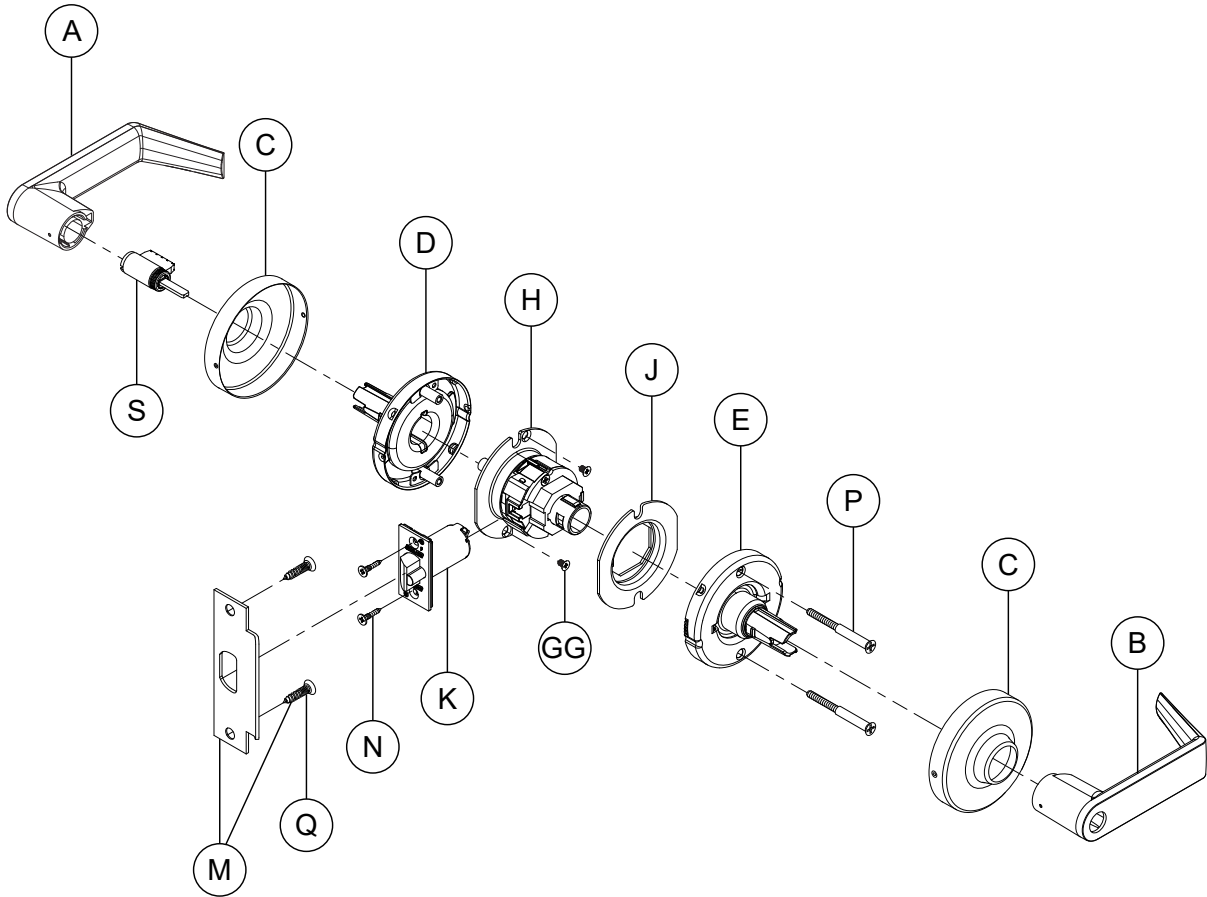
✓ For RD (Full Size Interchangeable Core) and GD (SFIC) outside trim configurations, see page 116.

* For electrified lock details, see **Electrified locks** on page 124. For RX details, see **Request-to-exit feature** on page 125.

Accessible storeroom lock

ND81

ND81PD (shown), ND81RD ✓, ND81GD ✓



Letter	Description	Part number
A	Outside lever—open (cylinder)	03-231 RHO
B	Inside lever—closed	03-230 RHO
C	Rose	03-042
D	Outside spring cage—standard	N523-218
E	Inside spring cage—standard	N523-221
H	Chassis	47277080-KIT
J	Anti-rotation plate	N523-055

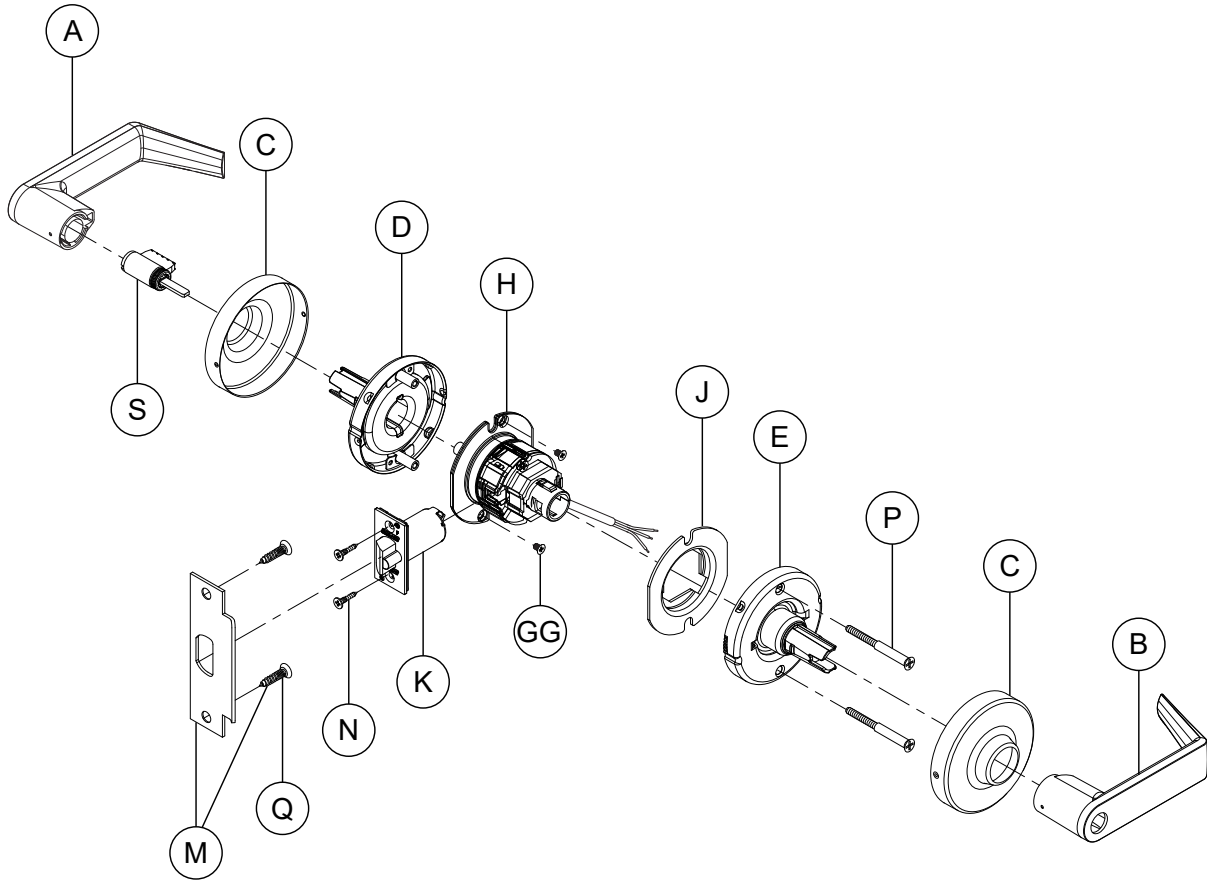
Letter	Description	Part number
K	Dead latch	13-247
M	Strike assembly	10-025
N	Latch screw	C603-897
P	Mounting screw	N523-021
Q	Strike screw	C603-256
S	Cylinder—6-pin	23-065
GG	Adjustment plate screws	N523-240

✓ For RD (Full Size Interchangeable Core) and GD (SFIC) outside trim configurations, see page 116.

Accessible storeroom lock with request-to-exit

ND81 RX

ND81PD RX (shown), ND81RD RX ✓, ND81GD RX ✓



Letter	Description	Part number
A	Outside lever—open (cylinder)	03-231 RHO
B	Inside lever—closed	03-230 RHO
C	Rose	03-042
D	Outside spring cage—standard	N523-218
E	Inside spring cage—standard	N523-221
H	Chassis	47287688**
J	Anti-rotation plate	N523-131

Letter	Description	Part number
K	Dead latch	13-247
M	Strike assembly	10-025
N	Latch screw	C603-897
P	Mounting screw	N523-021
Q	Strike screw	C603-256
S	Cylinder—6-pin	23-065
GG	Adjustment plate screws	N523-240

✓ For RD (Full Size Interchangeable Core) and GD (SFIC) outside trim configurations, see page 116.

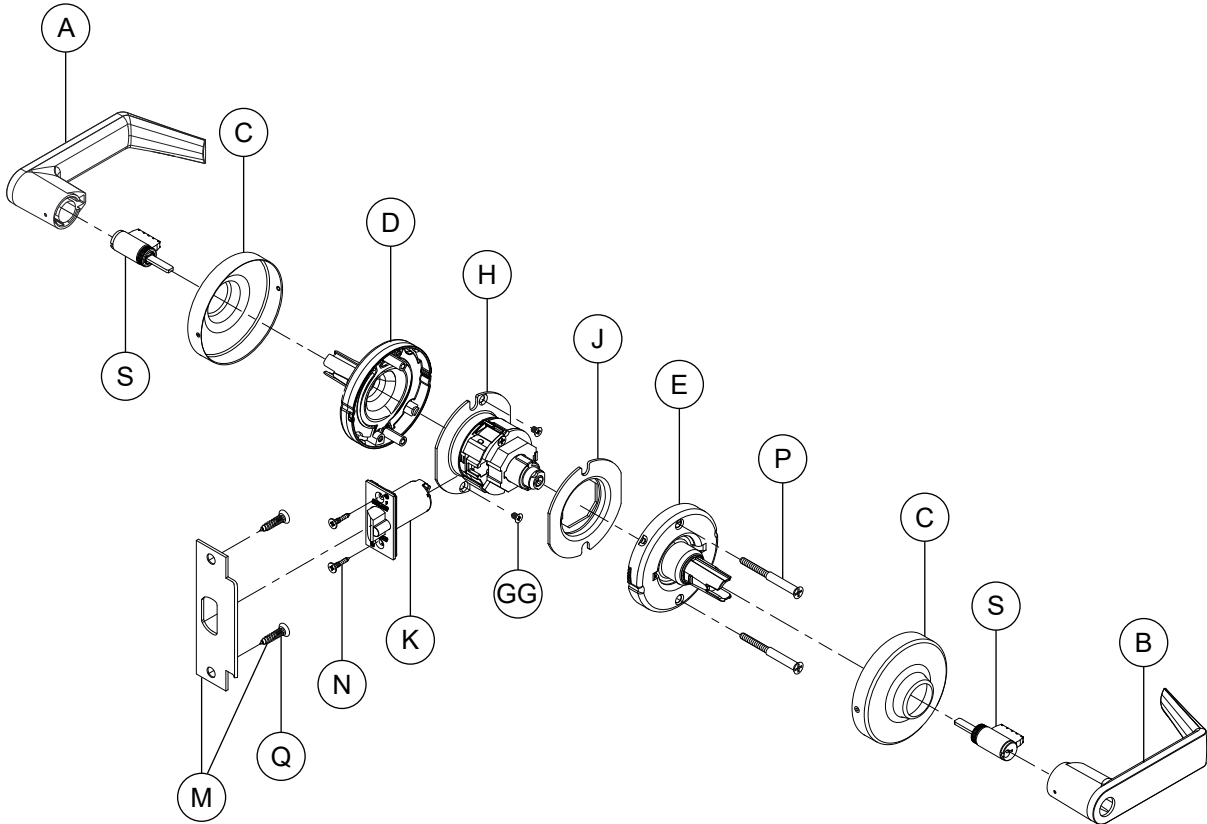
* For RX details, see **Request-to-exit feature** on page 125.

** Chassis part number is for reference only.

Institution lock

ND82

ND82PD (shown), ND82RD ✓, ND82GD ✓



Letter	Description	Part number
A	Outside lever—open (cylinder)	03-231 RHO
B	Inside lever—open (cylinder)	03-231 RHO
C	Rose	03-042
D	Outside spring cage—fixed	47261997
E	Inside spring cage—keyed inside except SFIC	N523-222
H	Chassis	47767727-KIT
J	Anti-rotation plate	N523-055

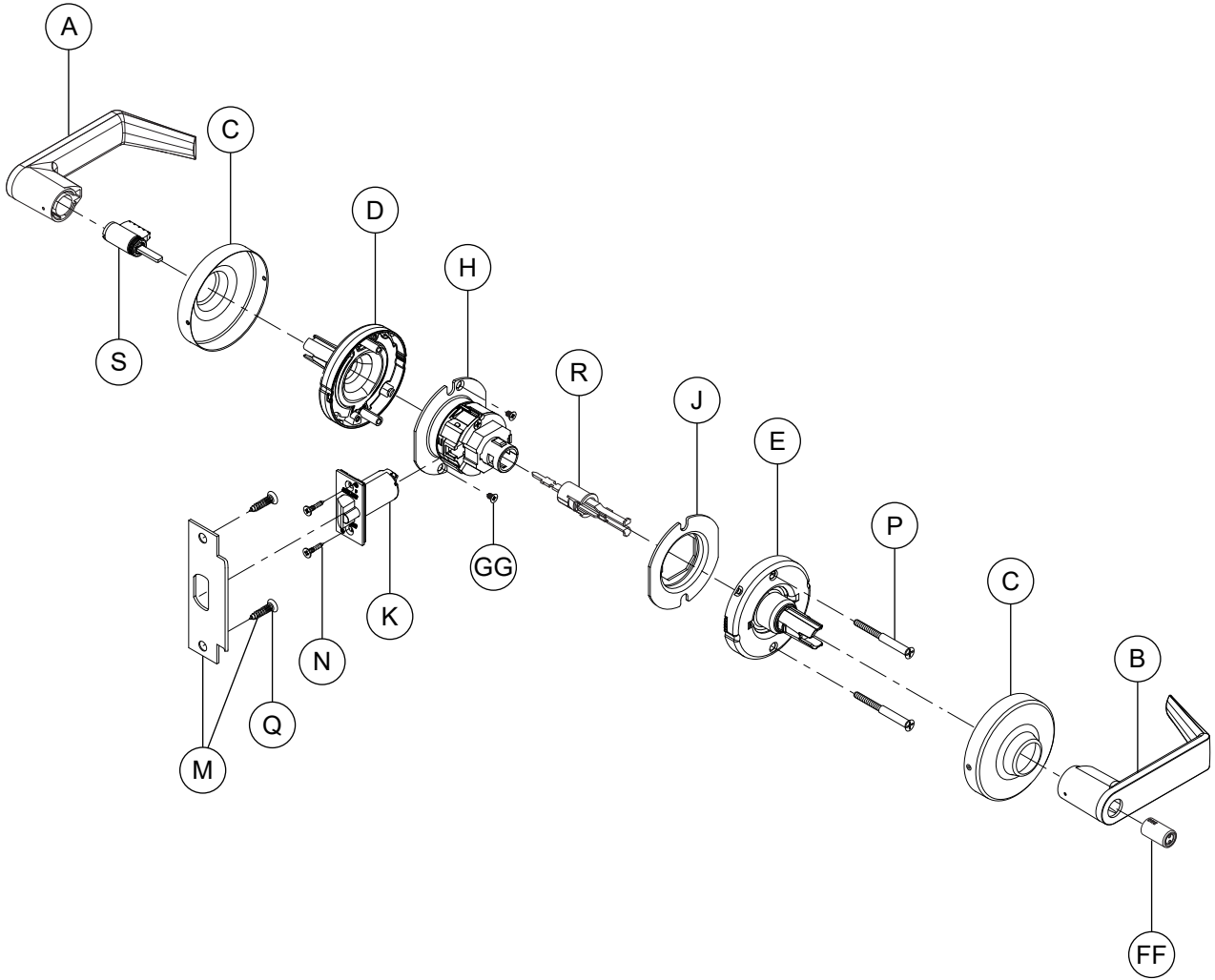
Letter	Description	Part number
K	Dead latch	13-247
M	Strike assembly	10-025
N	Latch screw	C603-897
P	Mounting screw	N523-021
Q	Strike screw	C603-256
S	Cylinder—6 pin	23-065
GG	Adjustment plate screws	N523-240

✓ For RD (Full Size Interchangeable Core) and GD (SFIC) outside trim configurations, see page 116.

Faculty restroom lock

ND85

ND85PD



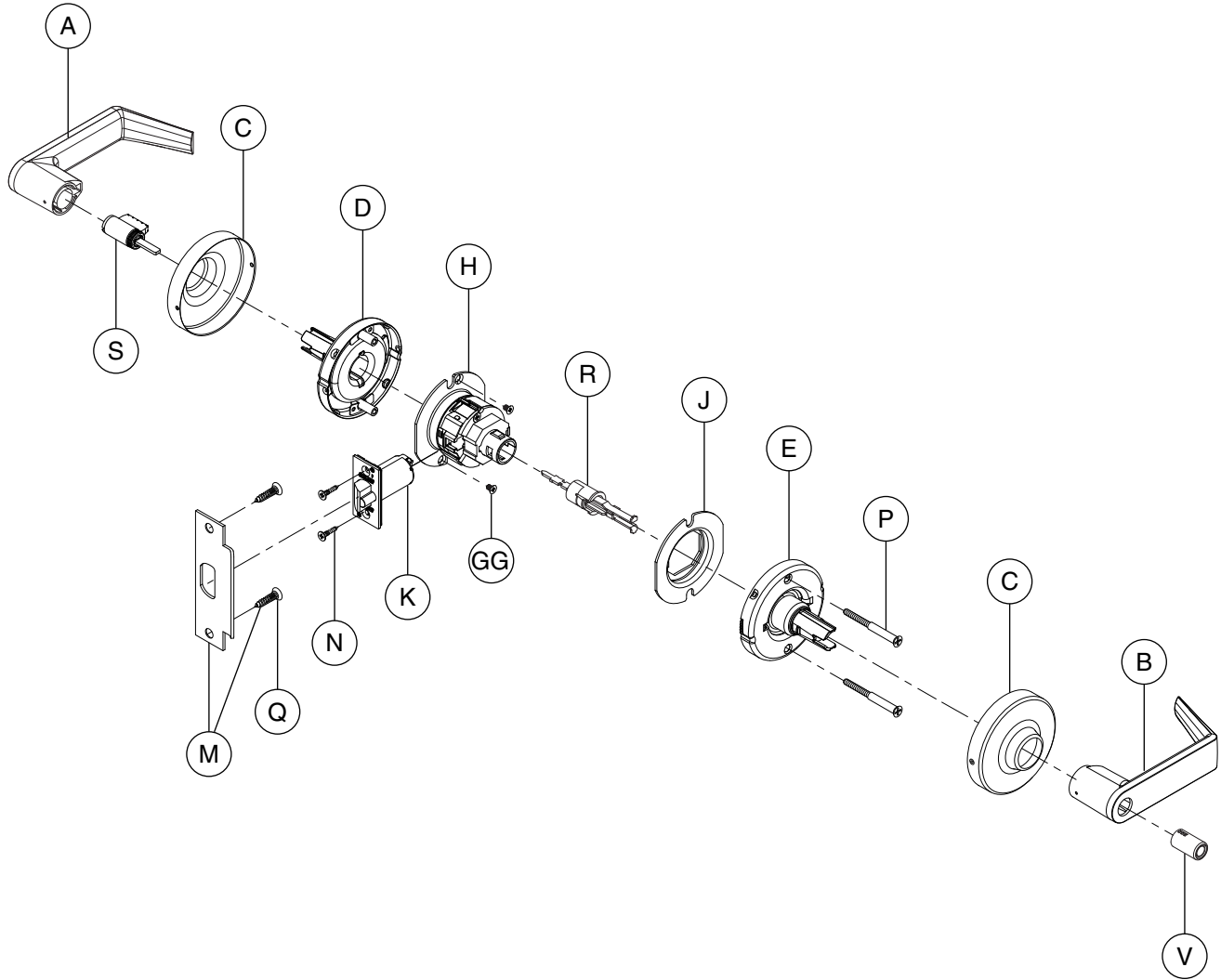
Letter	Description	Part number
A	Outside lever—open (cylinder)	03-231 RHO
B	Inside lever—open (button)	03-233 RHO
C	Rose	03-042
D	Outside spring cage—fixed	47261997
E	Inside spring cage—standard	N523-221
H	Chassis	S00031733977-KIT
J	Anti-rotation plate	N523-055
K	Dead latch	13-247

Letter	Description	Part number
M	Strike assembly	10-025
N	Latch screw	C603-897
P	Mounting screw	N523-021
Q	Strike screw	C603-256
R	Plunger—push button	N123-087
S	Cylinder—6-pin indicator	23-000
FF	Push button with spanner access	N523-211
GG	Adjustment plate screws	N523-240

Entrance/office lock with Vandlgard®

ND91

ND91PD (shown), ND91RD ✓, ND91GD ✓



Letter	Description	Part number
A	Outside lever—open (cylinder)	03-231 RHO
B	Inside lever—open (button)	03-233 RHO
C	Rose	03-042
D	Outside spring cage—standard	N523-218
E	Inside spring cage—standard	N523-221
H	Chassis	S00031733861-KIT
J	Anti-rotation plate	N523-055
K	Dead latch	13-247

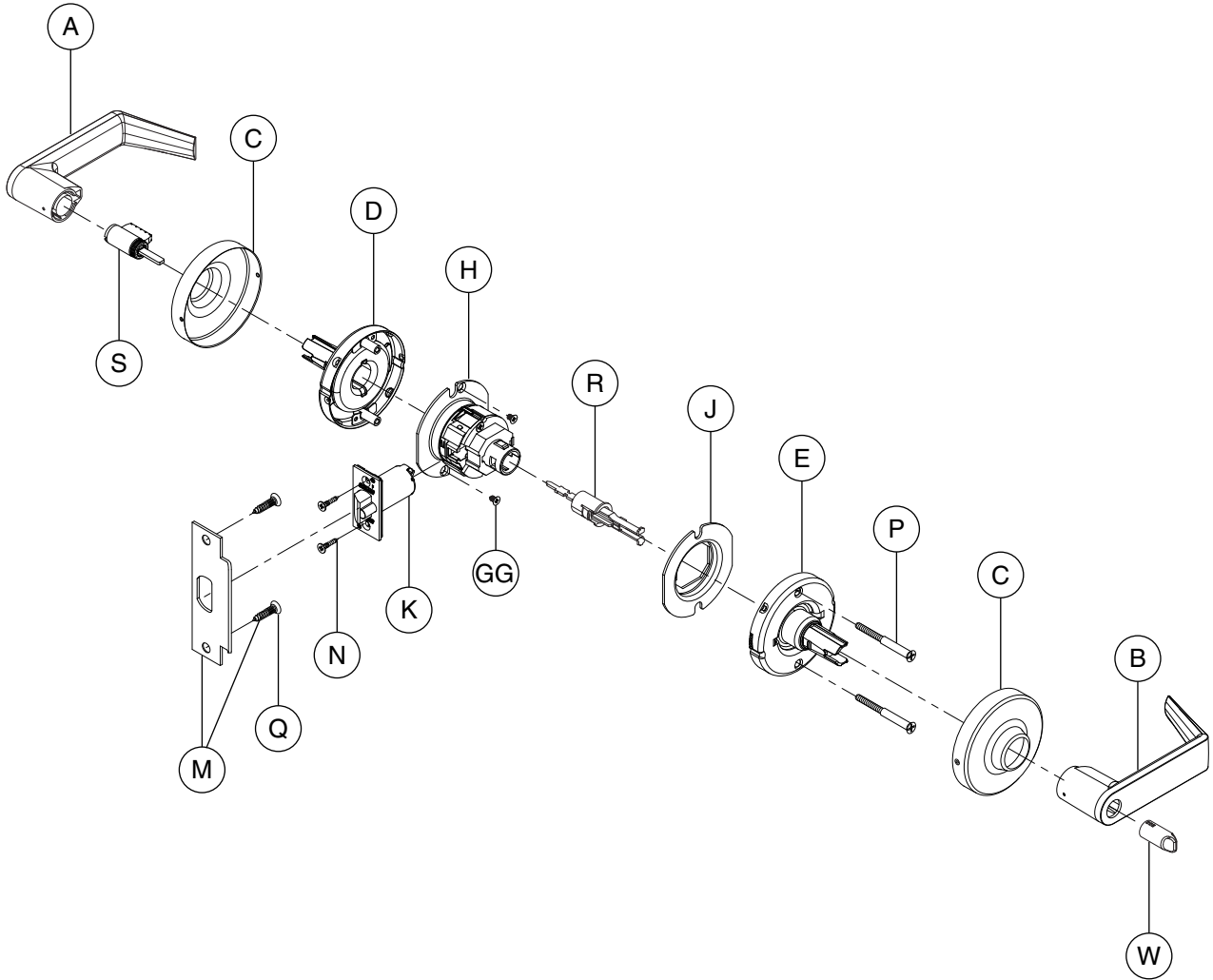
Letter	Description	Part number
M	Strike assembly	10-025
N	Latch screw	C603-897
P	Mounting screw	N523-021
Q	Strike screw	C603-256
R	Plunger—push button	N123-086
S	Cylinder—6-pin	23-065
V	Push button	N523-209
GG	Adjustment plate screws	N523-240

✓ For RD (Full Size Interchangeable Core) and GD (SFIC) outside trim configurations, see page 116.

Entrance lock with Vandlgard®

ND92

ND92PD (shown), ND92RD ✓, ND92GD ✓



Letter	Description	Part number
A	Outside lever—open (cylinder)	03-231 RHO
B	Inside lever—open (button)	03-233 RHO
C	Rose	03-042
D	Outside spring cage—standard	N523-218
E	Inside spring cage—standard	N523-221
H	Chassis	S00031733861-KIT
J	Anti-rotation plate	N523-055
K	Dead latch	13-247

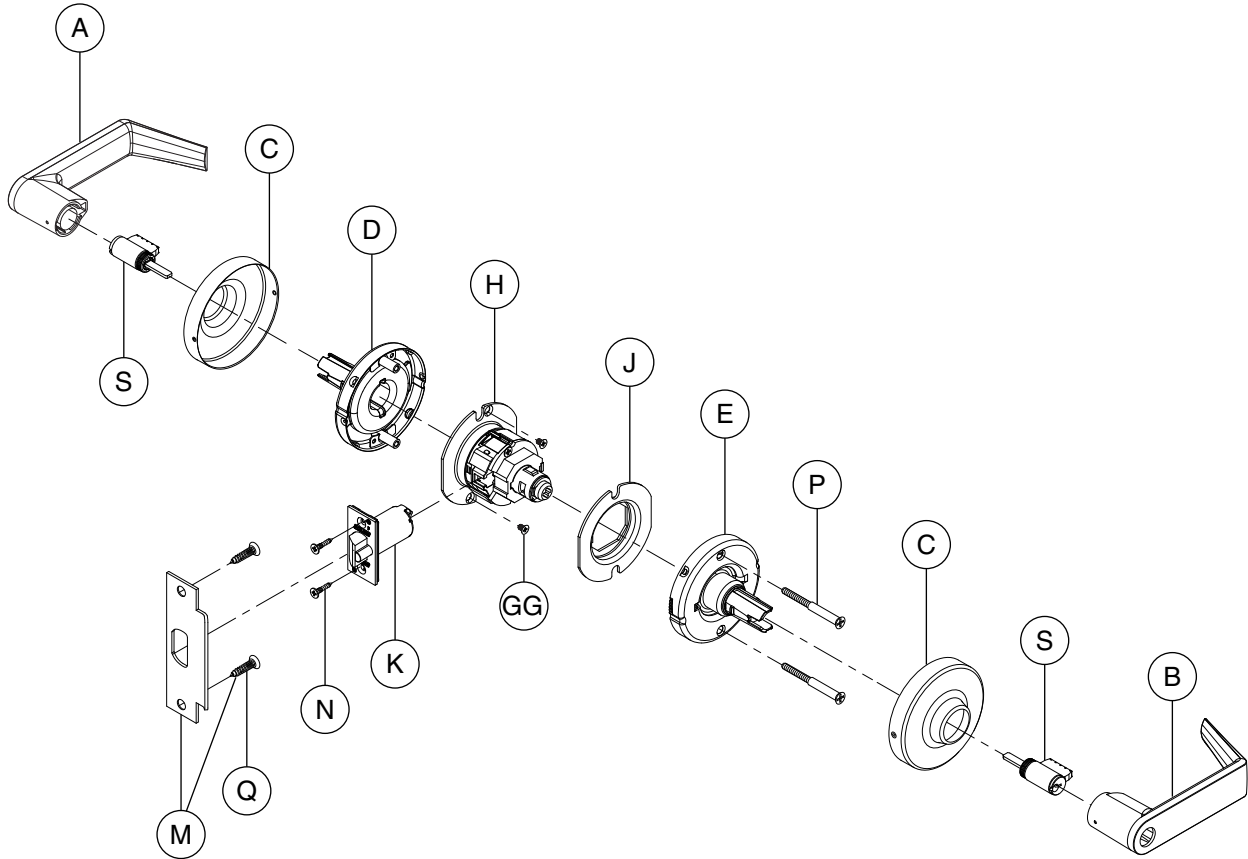
Letter	Description	Part number
M	Strike assembly	10-025
N	Latch screw	C603-897
P	Mounting screw	N523-021
Q	Strike screw	C603-256
R	Plunger—push and turn	N123-085
S	Cylinder—6-pin	23-065
W	Push and turn button	N523-210
GG	Adjustment plate screws	N523-240

✓ For RD (Full Size Interchangeable Core) and GD (SFIC) outside trim configurations, see page 116.

Vestibule with Vandlgard®

ND93

ND93PD (shown), ND93RD ✓, ND93GD ✓



Letter	Description	Part number
A	Outside lever—open (cylinder)	03-231 RHO
B	Inside lever—open (cylinder)	03-231 RHO
C	Rose	03-042
D	Outside spring cage—standard	N523-218
E	Inside spring cage—keyed inside	N523-222
H	Chassis	S00031733878-KIT
J	Anti-rotation plate	N523-055

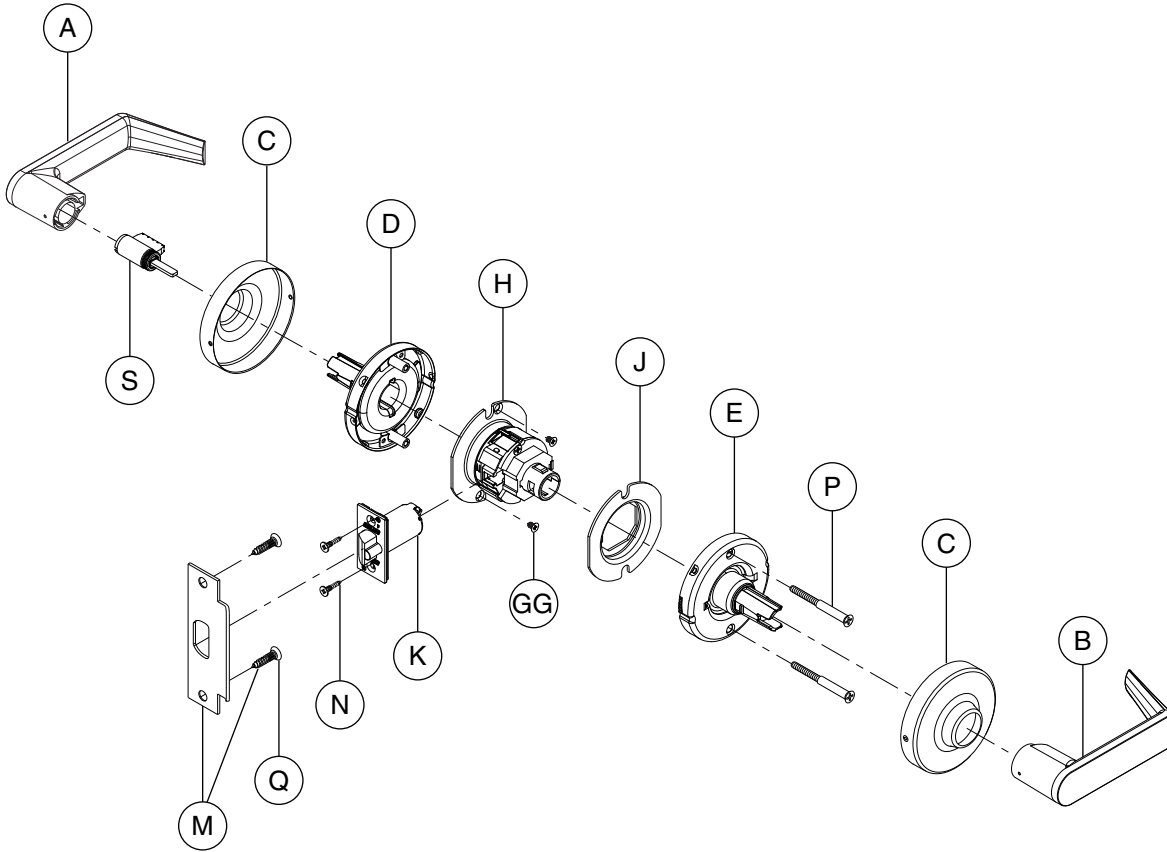
Letter	Description	Part number
K	Dead latch	13-247
M	Strike assembly	10-025
N	Latch screw	C603-897
P	Mounting screw	N523-021
Q	Strike screw	C603-256
S	Cylinder—6-pin	23-065
GG	Adjustment plate screws	N523-240

✓ For RD (Full Size Interchangeable Core) and GD (SFIC) outside trim configurations, see page 116.

Classroom lock with Vandlgard®

ND94

ND94PD (shown), ND94RD ✓, ND94GD ✓



Letter	Description	Part number
A	Outside lever—open (cylinder)	03-231 RHO
B	Inside lever—closed	03-230 RHO
C	Rose	03-042
D	Outside spring cage—standard	N523-218
E	Inside spring cage—standard	N523-221
H	Chassis	S00031733892-KIT
J	Anti-rotation plate	N523-055

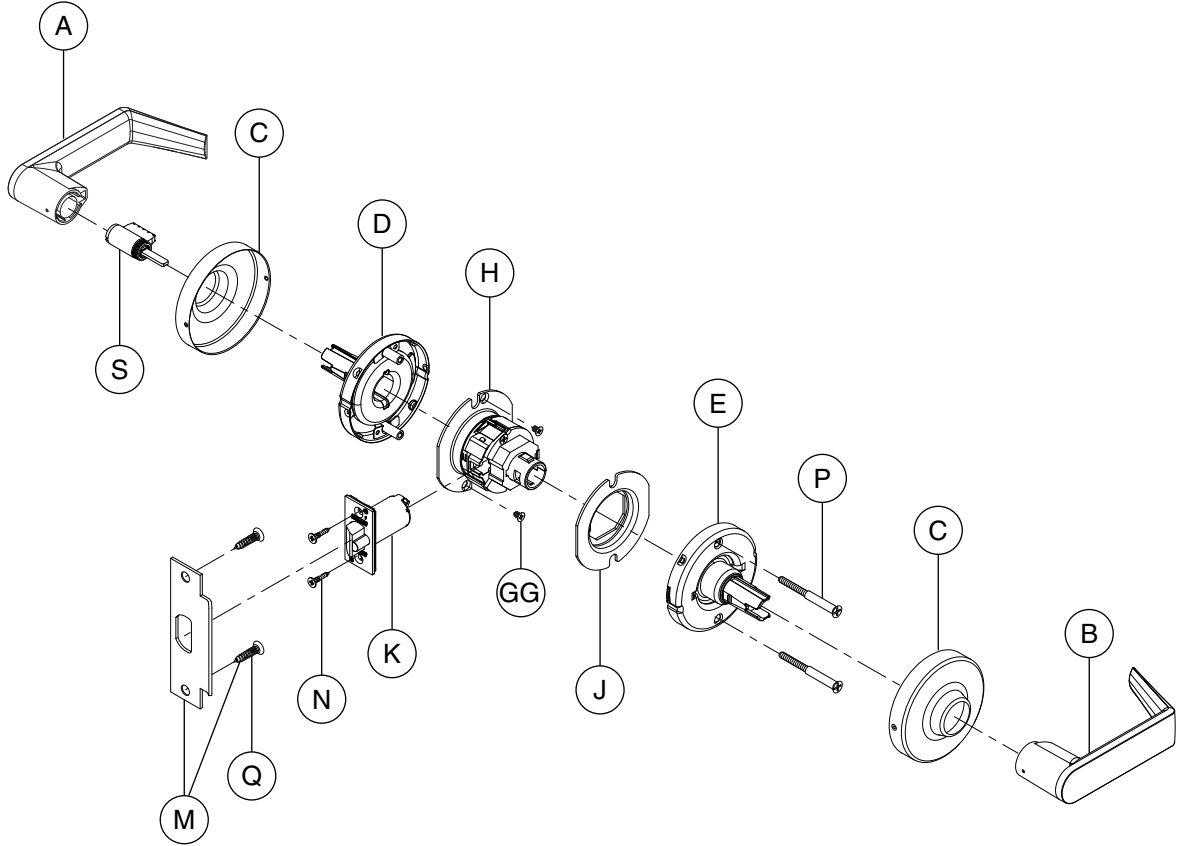
Letter	Description	Part number
K	Dead latch	13-247
M	Strike assembly	10-025
N	Latch screw	C603-897
P	Mounting screw	N523-021
Q	Strike screw	C603-256
S	Cylinder—6-pin	23-065
GG	Adjustment plate screws	N523-240

✓ For RD (Full Size Interchangeable Core) and GD (SFIC) outside trim configurations, see page 116.

Storeroom lock with Vandlgard®

ND96

ND96PD (shown), ND96RD ✓, ND96GD ✓



Letter	Description	Part number
A	Outside lever—open (cylinder)	03-231 RHO
B	Inside lever—closed	03-230 RHO
C	Rose	03-042
D	Outside spring cage—standard	N523-218
E	Inside spring cage—standard	N523-221
H	Chassis	S00031733922-KIT
J	Anti-rotation plate	N523-055

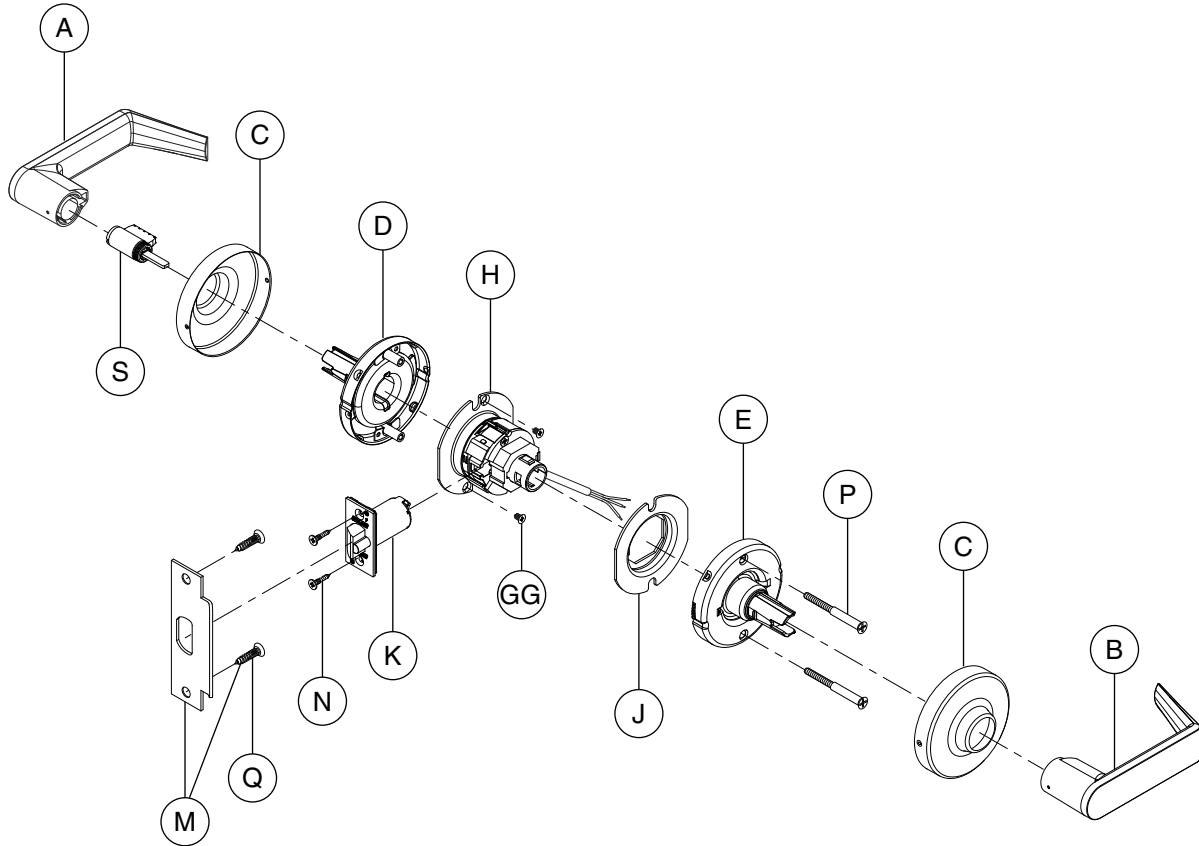
Letter	Description	Part number
K	Dead latch	13-247
M	Strike assembly	10-025
N	Latch screw	C603-897
P	Mounting screw	N523-021
Q	Strike screw	C603-256
S	Cylinder—6-pin	23-065
GG	Adjustment plate screws	N523-240

✓ For RD (Full Size Interchangeable Core) and GD (SFIC) outside trim configurations, see page 116.

Storeroom lock with Vandlgard® with request-to-exit

ND96 RX*

ND96PDRX (shown), ND96RDRX ✓, ND96GDRX ✓



Letter	Description	Part number
A	Outside lever—open (cylinder)	03-231 RHO
B	Inside lever—closed	03-230 RHO
C	Rose	03-042
D	Outside spring cage—standard	N523-218
E	Inside spring cage—standard	N523-221
H	Chassis	24107831**
J	Anti-rotation plate	N523-131

Letter	Description	Part number
K	Dead latch	13-247
M	Strike assembly	10-025
N	Latch screw	C603-897
P	Mounting screw	N523-021
Q	Strike screw	C603-256
S	Cylinder—6-pin	23-065
GG	Adjustment plate screws	N523-240

✓ For RD (Full Size Interchangeable Core) and GD (SFIC) outside trim configurations, see page 116.

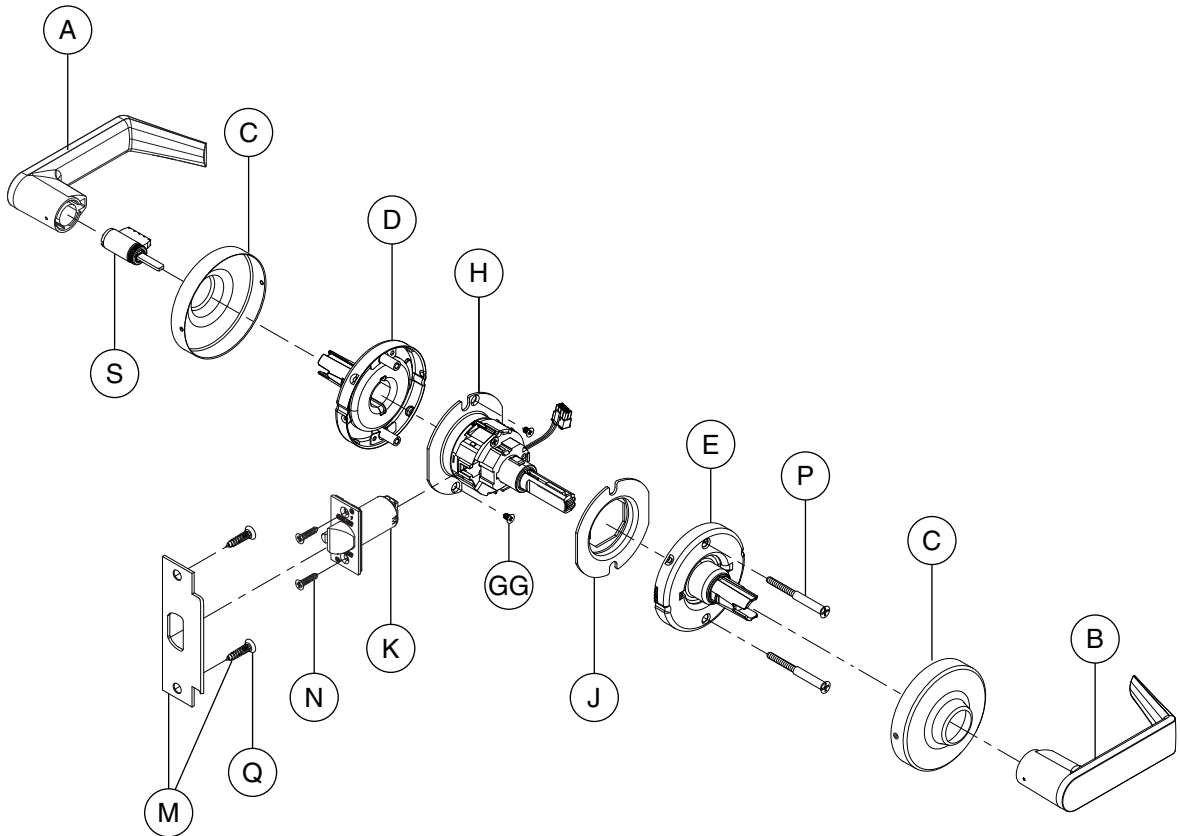
* For RX details, see **Request-to-exit feature** on page 125.

** Chassis part number is for reference only.

Storeroom lock with Vandlgard®— electrically locked (fail safe) or electrically unlocked (fail secure)

ND96EL or ND96EU*

ND96EL/EUPD (shown), ND96EL/ND96EURD ✓, ND96EL/ND96EUGD ✓



Letter	Description	Part number
A	Outside lever—open (cylinder)	03-231 RHO
B	Inside lever—closed	03-230 RHO
C	Rose	03-042
D	Outside spring cage—standard	N523-218
E	Inside spring cage—standard	N523-221
H	Chassis, electrically locked	S00033868158-KIT
	Chassis, electrically unlocked	S00033868165-KIT
J	Anti-rotation plate	N523-055

Letter	Description	Part number
K	Dead latch	13-247
M	Strike assembly	10-025
N	Latch screw	C603-897
P	Mounting screw	N523-021
Q	Strike screw	C603-256
S	Cylinder—6-pin	23-065
GG	Adjustment plate screws	N523-240

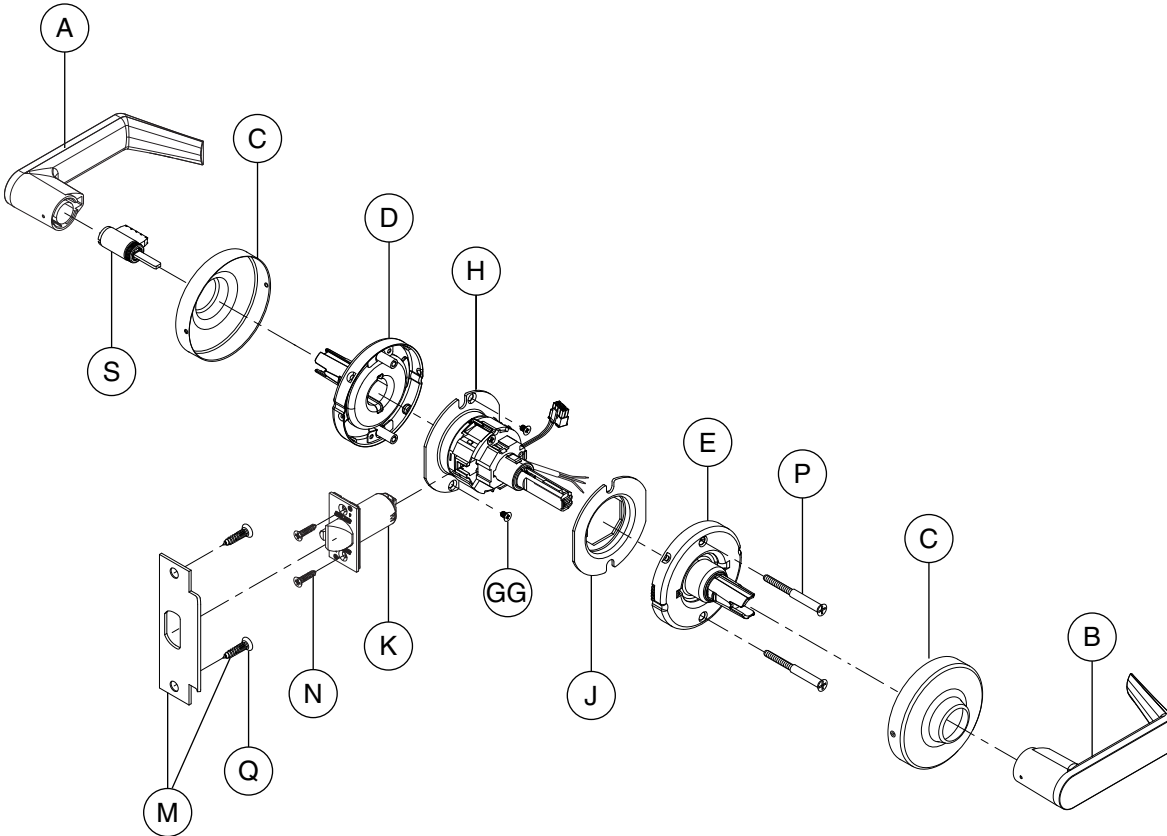
✓ For RD (Full Size Interchangeable Core) and GD (SFIC) outside trim configurations, see page 116.

* For electrified lock details, see **Electrified locks** on page 124.

Storeroom lock with Vandlgard®— electrically locked (fail safe) or electrically unlocked (fail secure) with request-to-exit

ND96EL RX or ND96EU RX*

ND96EL/EUPD RX (shown), ND96EL/EURD RX ✓, ND96EL/EUGD RX ✓



Letter	Description	Part number
A	Outside lever—open (cylinder)	03-231 RHO
B	Inside lever—closed	03-230 RHO
C	Rose	03-042
D	Outside spring cage—standard	N523-218
E	Inside spring cage—standard	N523-221
H	Chassis, electrically locked	S00033868196-KIT
	Chassis, electrically unlocked	S00033868202-KIT
J	Anti-rotation plate	N523-131

Letter	Description	Part number
K	Dead latch	13-247
M	Strike assembly	10-025
N	Latch screw	C603-897
P	Mounting screw	N523-021
Q	Strike screw	C603-256
S	Cylinder—6-pin	23-065
GG	Adjustment plate screws	N523-240

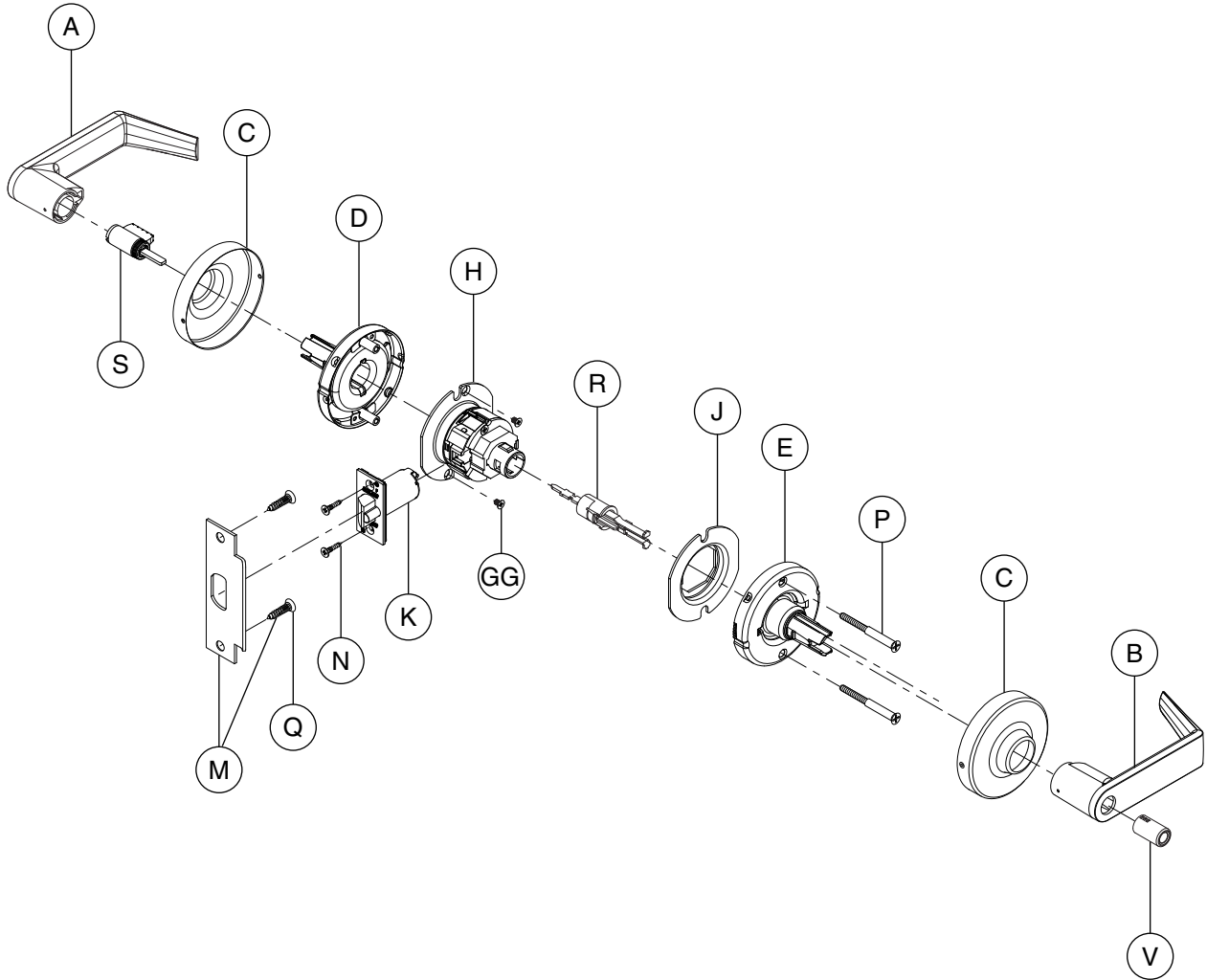
✓ For RD (Full Size Interchangeable Core) and GD (SFIC) outside trim configurations, see page 116.

* For electrified lock details, see **Electrified locks** on page 124. For RX details, see **Request-to-exit feature** on page 125.

Corridor lock with Vandlgard®

ND97

ND97PD (shown), ND97RD ✓, ND97GD ✓



Letter	Description	Part number
A	Outside lever—open (cylinder)	03-231 RHO
B	Inside lever—open (button)	03-233 RHO
C	Rose	03-042
D	Outside spring cage—standard	N523-218
E	Inside spring cage—standard	N523-221
H	Chassis	S00031720281-KIT
J	Anti-rotation plate	N523-055
K	Dead latch	13-247

Letter	Description	Part number
M	Strike assembly	10-025
N	Latch screw	C603-897
P	Mounting screw	N523-021
Q	Strike screw	C603-256
R	Plunger—push button	N123-086
S	Cylinder—6-pin	23-065
V	Push button	N523-209
GG	Adjustment plate screws	N523-240

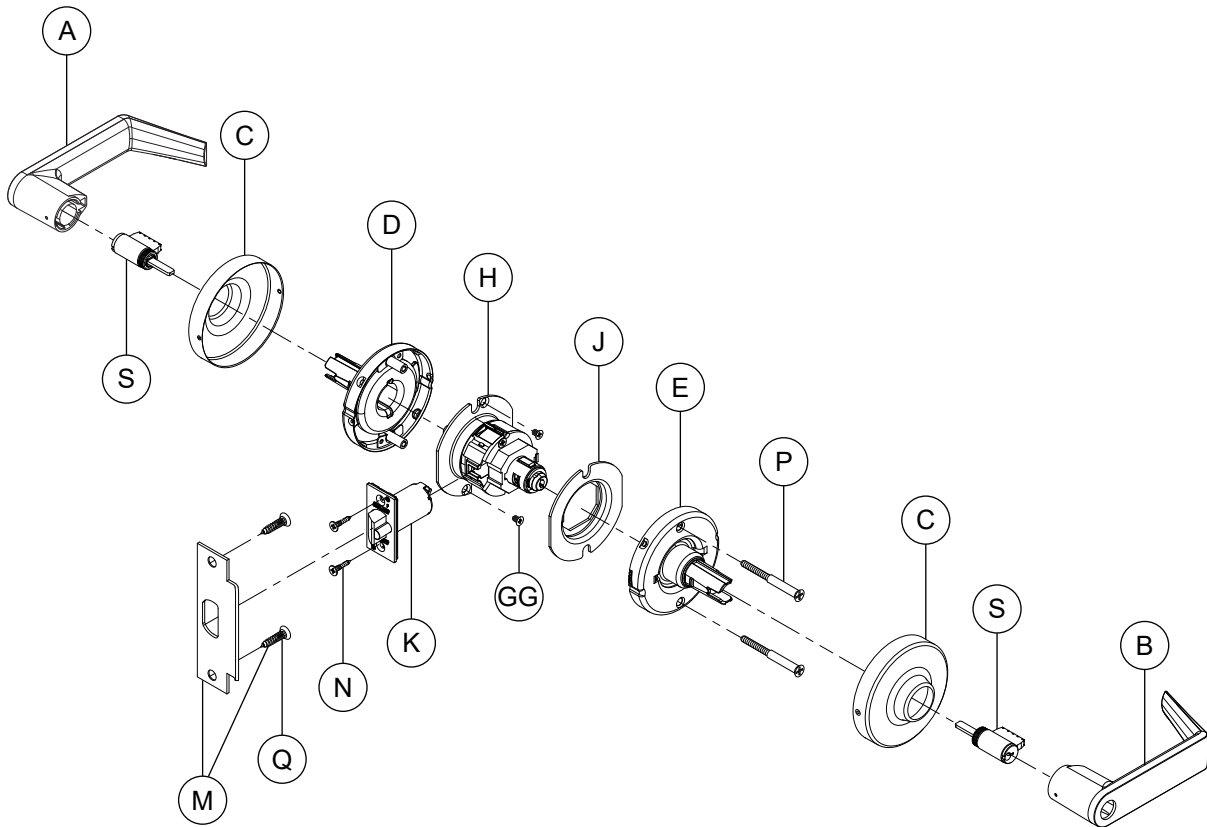
✓ For RD (Full Size Interchangeable Core) and GD (SFIC) outside trim configurations, see page 116.

* Chassis part number is for reference only.

Classroom security lock with Vandlgard® (180-degree lockdown)

ND98

ND98PD (shown), ND98RD ✓, ND98GD ✓



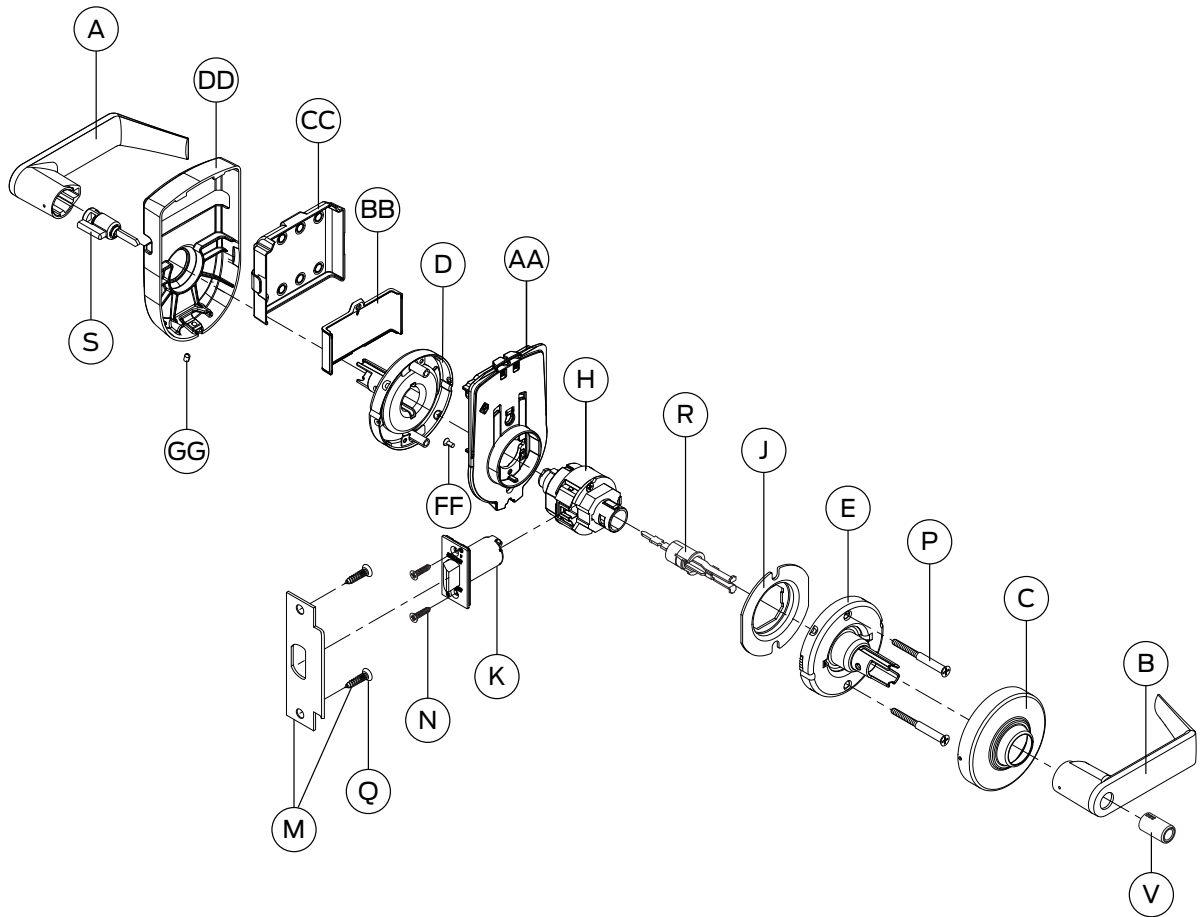
Letter	Description	Part number
A	Outside lever—open (cylinder)	03-231 RHO
B	Inside lever—open (cylinder)	03-231 RHO
C	Rose	03-042
D	Outside spring cage—standard	N523-218
E	Inside spring cage—standard	N523-222
H	Chassis	47277079-KIT
J	Anti-rotation plate	N523-055

Letter	Description	Part number
K	Dead latch	13-247
M	Strike assembly	10-025
N	Latch screw	C603-897
P	Mounting screw	N523-021
Q	Strike screw	C603-256
S	Cylinder—6-pin	23-065
GG	Adjustment plate screws	N523-240

✓ For RD (Full Size Interchangeable Core) and GD (SFIC) outside trim configurations, see page 116.

Bath/Bedroom Privacy with Outside Indicator

ND40 IND

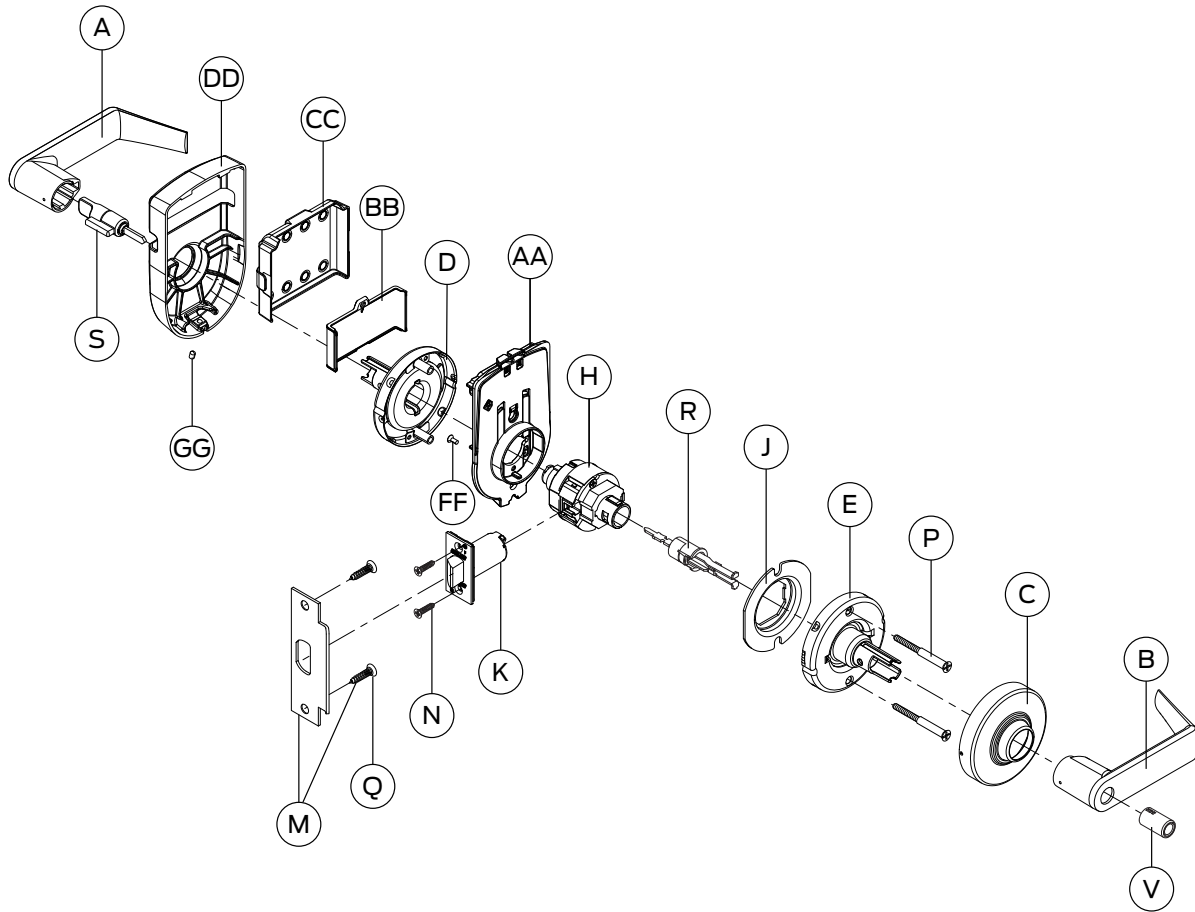


Letter	Description	Part number
A	Outside lever—open (cylinder)	03-231 RHO
B	Inside lever—open (button)	03-233 RHO
C	Rose	03-042
D	Outside spring cage assembly—standard	N523-218
E	Inside spring cage assembly—standard	N523-221
H	Chassis	47594683
J	Anti-rotation plate	N523-055
K	Spring latch	13-248
M	Strike assembly	10-025
N	Latch screw	C603-897
P	Mounting screw	N523-021
Q	Strike screw	C603-256

Letter	Description	Part number
R	Plunger assembly—push button	N123-086
S	Outside turn button, 40 function	47697033
V	Push button	N523-209
AA	Indicator mechanism	47710918
BB	Indicator Sign, Unlocked / Locked	47858868
	Indicator Sign, Vacant / Occupied	47858867
	Indicator Sign, Vacant / Occupé	47858870
	Indicator Sign, Deverrouillée / Verrouillée	47858871
CC	Escutcheon Window	47805908
DD	Escutcheon	47805913
FF	Indicator Attachment screw	47995920
GG	Escutcheon set screw pack	47856038

Hospital Privacy lock with Outside Indicator

ND44 IND



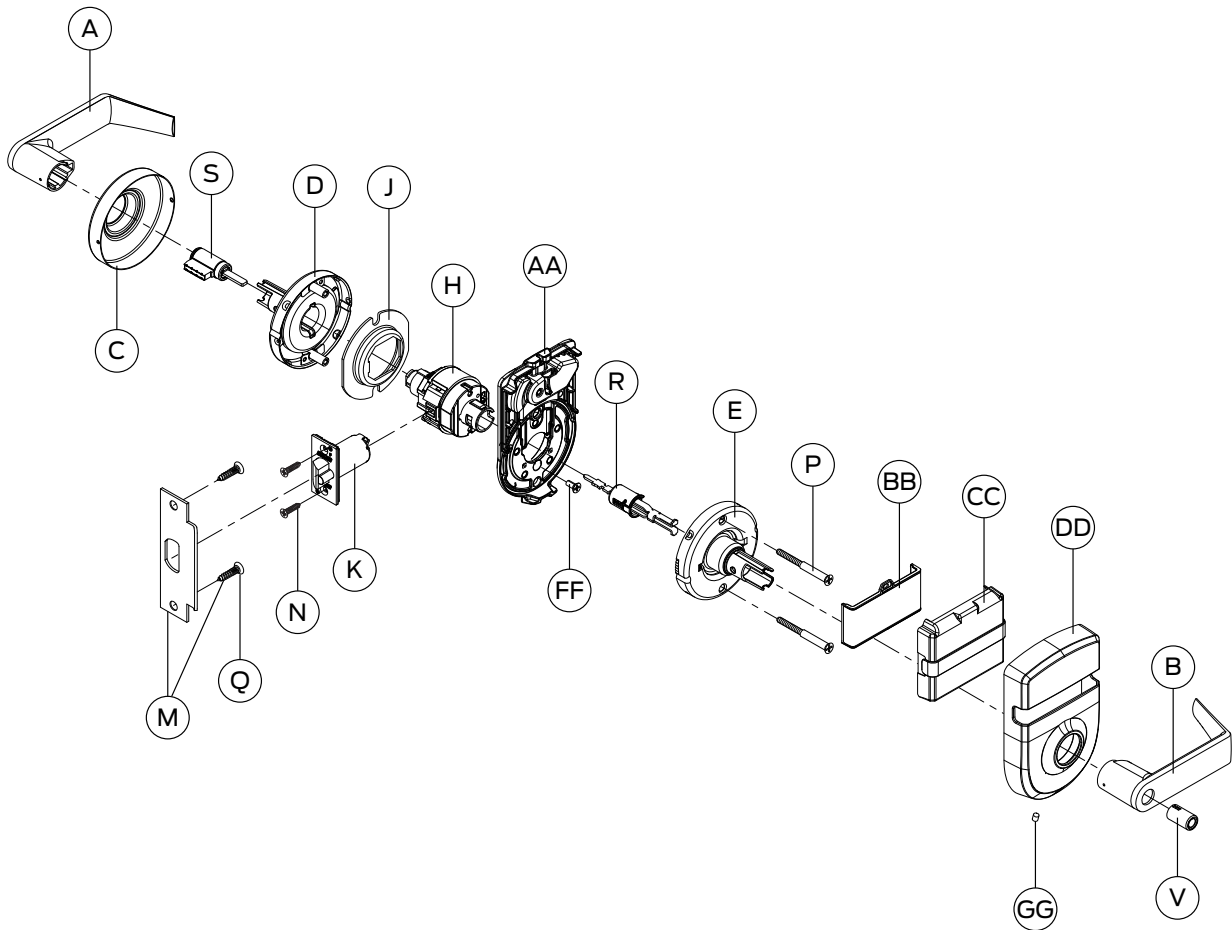
Letter	Description	Part number
A	Outside lever—open (cylinder)	03-231 RHO
B	Inside lever—open (button)	03-233 RHO
C	Rose	03-042
D	Outside spring cage assembly—standard	N523-218
E	Inside spring cage assembly—standard	N523-221
H	Chassis	47594683
J	Anti-rotation plate	N523-055
K	Spring latch	13-248
M	Strike assembly	10-025
N	Latch screw	C603-897
P	Mounting screw	N523-021
Q	Strike screw	C603-256

Letter	Description	Part number
R	Plunger assembly—push button	N123-086
S	Outside turn button, 44 function	47728132
V	Push button	N523-209
AA	Indicator mechanism	47710918
BB	Indicator Sign, Unlocked / Locked	47858868
	Indicator Sign, Vacant / Occupied	47858867
	Indicator Sign, Vacant / Occupé	47858870
	Indicator Sign, Deverrouillée / Verrouillée	47858871
CC	Escutcheon Window	47805908
DD	Escutcheon	47805913
FF	Indicator Attachment screw	47995920
GG	Escutcheon set screw pack	47856038

Entrance/office lock with Inside Indicator

ND50 IND

ND50PD (shown), ND50RDv, ND50GDv



Letter	Description	Part number
A	Outside lever—open (cylinder)	03-231 RHO
B	Inside lever—open (button)	03-233 RHO
C	Rose	03-042
D	Outside spring cage assembly—standard	N523-218
E	Inside spring cage assembly—standard	N523-221
H	Chassis -ND50	47706071
J	Anti-rotation plate	N523-055
K	Dead latch	13-247
M	Strike assembly	10-025
N	Latch screw	C603-897
P	Mounting screw	N523-021
Q	Strike screw	C603-256

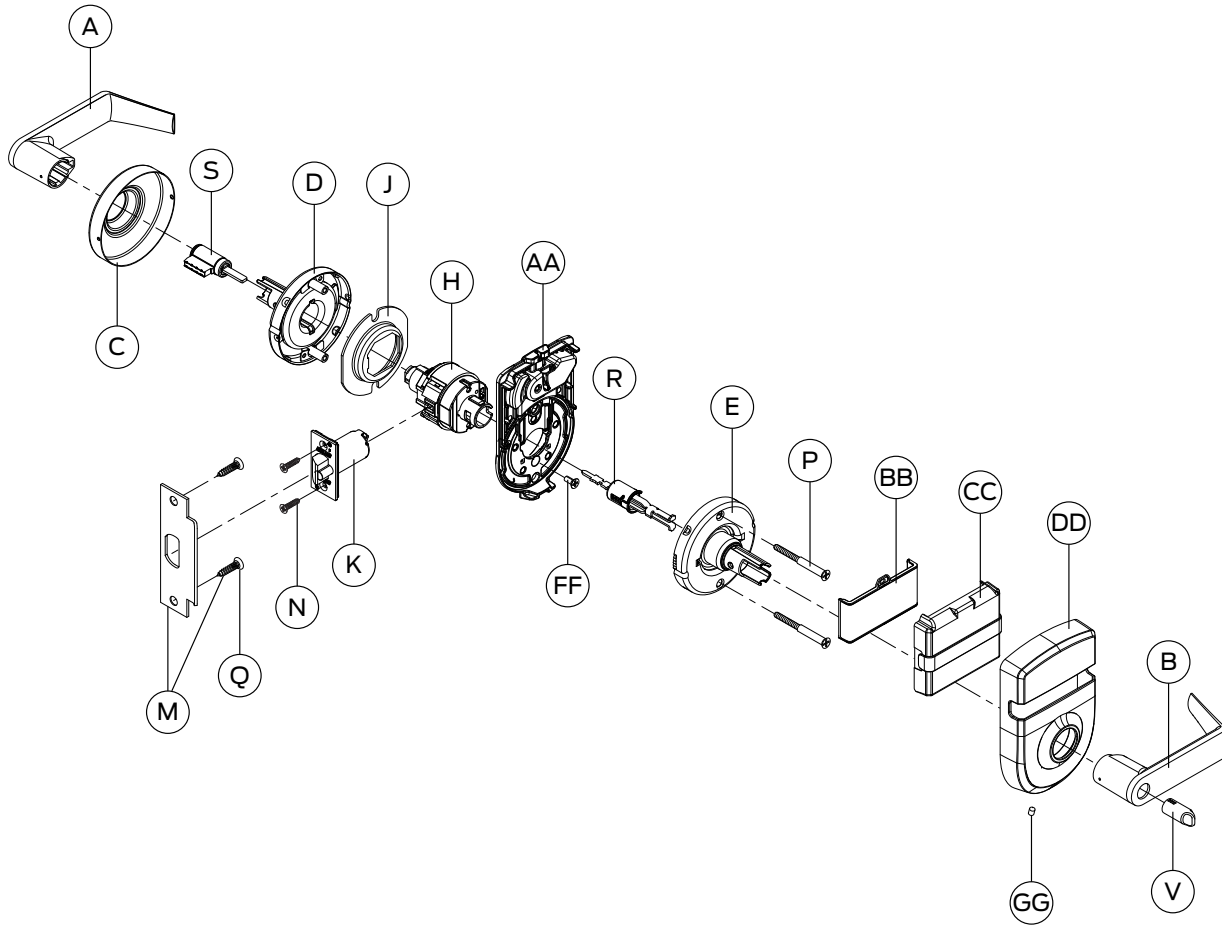
Letter	Description	Part number
R	Plunger—push button	47844650
S	Cylinder—6-pin	23-065
V	Push button	N523-209
AA	Indicator mechanism	47710918
BB	Indicator Sign, Unlocked / Locked	47858868
	Indicator Sign, Vacant / Occupied	47858867
	Indicator Sign, Vacant / Occupé	47858870
	Indicator Sign, Deverrouillée / Verrouillée	47858871
CC	Escutcheon Window	47805908
DD	Escutcheon	47805913
FF	Indicator Attachment screw	47995920
GG	Escutcheon set screw pack	47856038

✓ For RD (Full Size Interchangeable Core) and GD (SFIC) outside trim configurations, see page 116.

Entrance lock with Inside Indicator

ND53 IND

ND53PD (shown), ND53RDV, ND53DV



Letter	Description	Part number
A	Outside lever—open (cylinder)	03-231 RHO
B	Inside lever—open (button)	03-233 RHO
C	Rose	03-042
D	Outside spring cage assembly—standard	N523-218
E	Inside spring cage assembly—standard	N523-221
H	Chassis - ND53	47706071
J	Anti-rotation plate	N523-055
K	Dead latch	13-247
M	Strike assembly	10-025
N	Latch screw	C603-897
P	Mounting screw	N523-021
Q	Strike screw	C603-256

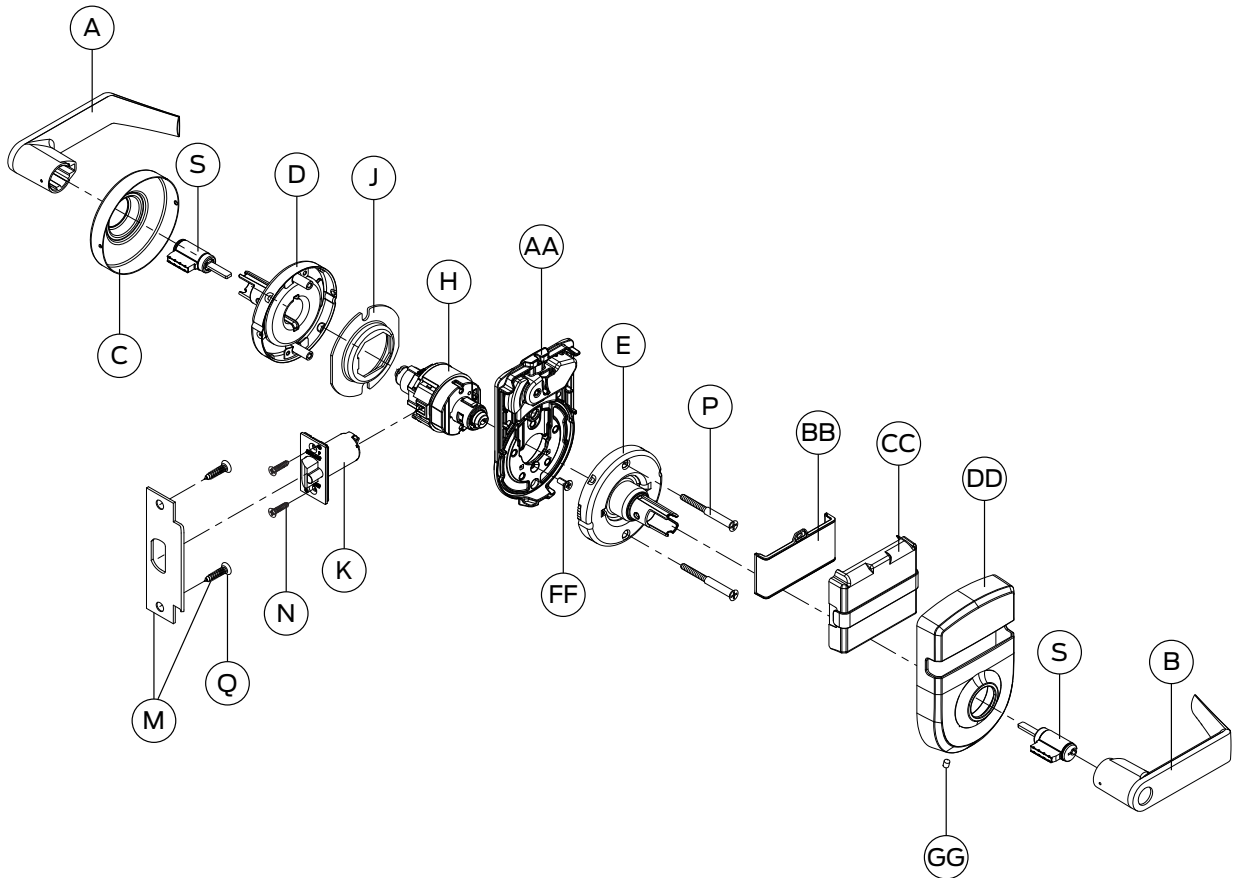
Letter	Description	Part number
R	Plunger—push & turn button	47844651
S	Cylinder—6-pin	23-065
V	Push & Turn plunger	N523-210
AA	Indicator mechanism	47710918
BB	Indicator Sign, Unlocked / Locked	47858868
	Indicator Sign, Vacant / Occupied	47858867
	Indicator Sign, Vacant / Occupé	47858870
	Indicator Sign, Deverrouillée / Verrouillée	47858871
CC	Escutcheon Window	47805908
DD	Escutcheon	47805913
FF	Indicator Attachment screw	47995920
GG	Escutcheon set screw pack	47856038

✓ For RD (Full Size Interchangeable Core) and GD (SFIC) outside trim configurations, see page 116.

Classroom Security lock with Inside Indicator

ND78 IND

ND78PD (shown), ND78RDV, ND78GDV



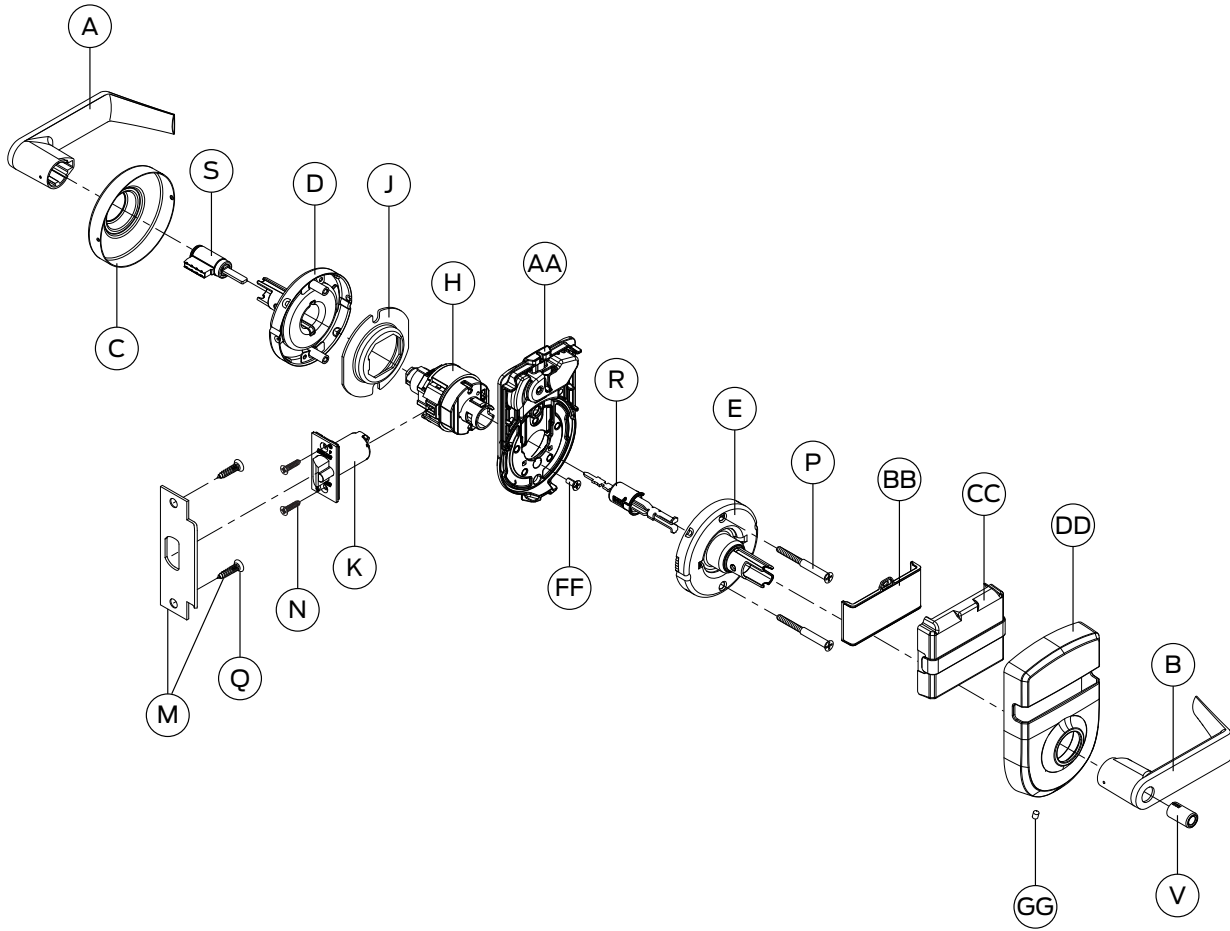
Letter	Description	Part number
A	Outside lever—open (cylinder)	03-231 RHO
B	Inside lever—open (cylinder)	03-231 RHO
C	Rose	03-042 RHO
D	Outside spring cage assembly—standard	N523-218
E	Inside spring cage assembly—secure	N523-222
H	Chassis - ND78	47716045
J	Anti-rotation plate	N523-055
K	Dead latch	13-247
M	Strike assembly	10-025
N	Latch screw	C603-897

Letter	Description	Part number
P	Mounting screw	N523-021
Q	Strike screw	C603-256
S	Cylinder—6-pin	23-065
AA	Indicator mechanism	47710918
BB	Indicator Sign, Unlocked / Locked 78/98	47858869
	Indicator Sign, Deverrouillée / Verrouillée 79/98	47858872
CC	Escutcheon Window	47805908
DD	Escutcheon	47805913
FF	Indicator Attachment screw	47995920
GG	Escutcheon set screw pack	47856038

✓ For RD (Full Size Interchangeable Core) and GD (SFIC) outside trim configurations, see page 116.

Entrance/office with Vandlgard® with Inside Indicator

ND91 IND

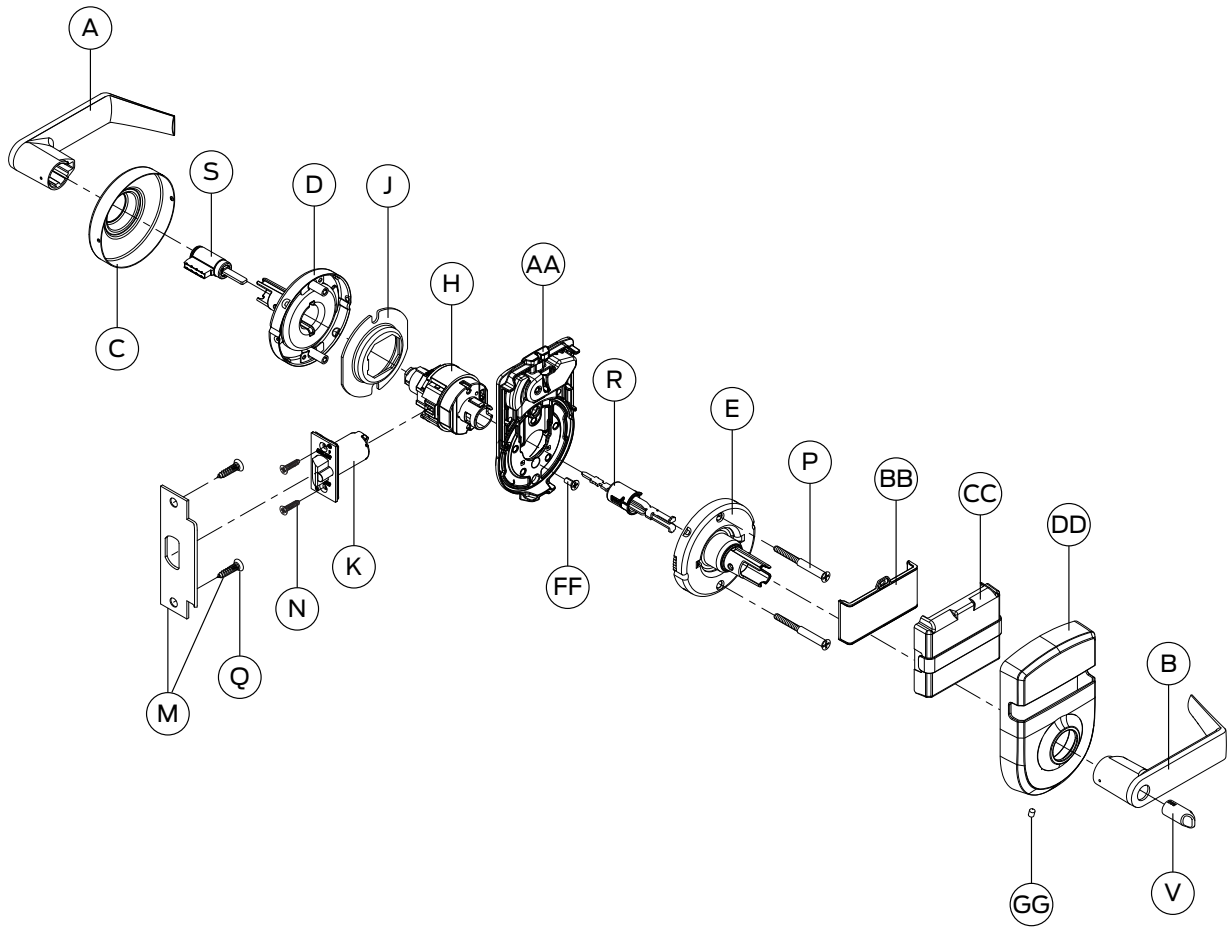


Letter	Description	Part number
A	Outside lever—open (cylinder)	03-231 RHO
B	Inside lever—open (button)	03-233 RHO
C	Rose	03-042
D	Outside spring cage assembly—standard	N523-218
E	Inside spring cage assembly—standard	N523-221
H	Chassis - ND91	47853072
J	Anti-rotation plate	N523-055
K	Dead latch	13-247
M	Strike assembly	10-025
N	Latch screw	C603-897
P	Mounting screw	N523-021
Q	Strike screw	C603-256

Letter	Description	Part number
R	Plunger—push button	N123-086
S	Cylinder—6-pin	23-065
V	Push button	N523-209
AA	Indicator mechanism	47710918
BB	Indicator Sign, Unlocked / Locked	47858868
	Indicator Sign, Vacant / Occupied	47858867
	Indicator Sign, Vacant / Occupé	47858870
	Indicator Sign, Deverrouillée / Verrouillée	47858871
CC	Escutcheon Window	47805908
DD	Escutcheon	47805913
FF	Indicator Attachment screw	47995920
GG	Escutcheon set screw pack	47856038

Entrance lock with Vandlgard® with Inside Indicator

ND92 IND

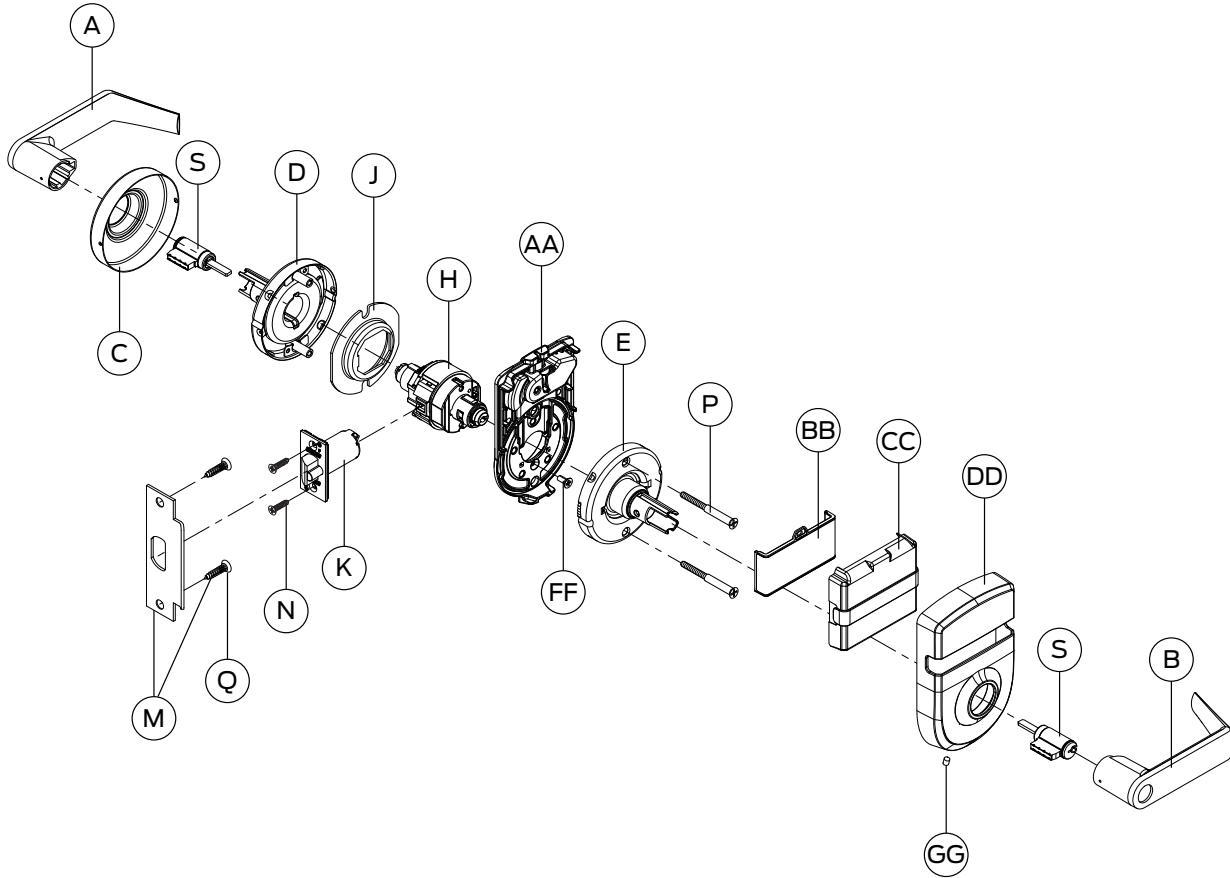


Letter	Description	Part number
A	Outside lever—open (cylinder)	03-231 RHO
B	Inside lever—open (button)	03-233 RHO
C	Rose	03-042
D	Outside spring cage assembly—standard	N523-218
E	Inside spring cage assembly—standard	N523-221
H	Chassis - ND92	47853072
J	Anti-rotation plate	N523-055
K	Dead latch	13-247
M	Strike assembly	10-025
N	Latch screw	C603-897
P	Mounting screw	N523-021
Q	Strike screw	C603-256

Letter	Description	Part number
R	Plunger—push button	N123-086
S	Cylinder—6-pin	23-065
V	Push & Turn plunger	N523-210
AA	Indicator mechanism	47710918
BB	Indicator Sign, Unlocked / Locked	47858868
	Indicator Sign, Vacant / Occupied	47858867
	Indicator Sign, Vacant / Occupé	47858870
	Indicator Sign, Deverrouillée / Verrouillée	47858871
CC	Escutcheon Window	47805908
DD	Escutcheon	47805913
FF	Indicator Attachment screw	47995920
GG	Escutcheon set screw pack	47856038

Classroom Security with Vandlgard® with Inside Indicator

ND98 IND



Letter	Description	Part number
A	Outside lever—open (cylinder)	03-231 RHO
B	Inside lever—open (cylinder)	03-231 RHO
C	Rose	03-042 RHO
D	Outside spring cage assembly—standard	N523-218
E	Inside spring cage assembly—secure	N523-222
H	Chassis - ND98	47853159
J	Anti-rotation plate	N523-055
K	Dead latch	13-247
M	Strike assembly	10-025
N	Latch screw	C603-897

Letter	Description	Part number
P	Mounting screw	N523-021
Q	Strike screw	C603-256
S	Cylinder—6-pin	23-065
AA	Indicator mechanism	47710918
BB	Indicator Sign, Unlocked / Locked 78/98	47858869
	Indicator Sign, Deverrouillée / Verrouillée 79/98	47858872
CC	Escutcheon Window	47805908
DD	Escutcheon	47805913
FF	Indicator Attachment screw	47995920
GG	Escutcheon set screw pack	47856038

Conversion

Spring cage conversion

ND locks manufactured before February 2017 may be upgraded to a new spring cage assembly and lever, and button assembly if applicable (all upgrades required at the same time).

Spring cage conversion by function

Function	Outside Spring Cage		Inside Spring Cage		Lever Type	
	Original	New	Original	New	Outside	Inside
ND10	N123-043	N523-218	N123-032	N523-221	Closed	Closed
ND12	N123-022	47261997	N123-032	N523-221	Closed	Closed
ND12EL, ND12EU	N123-022	N523-218	N123-032	N523-221	Closed	Closed
ND170	–	–	63-104 or N523-223	47268754	–	Closed
ND25	–	–	N123-032	N523-221	–	Closed
ND25x70	–	–	N123-021	N523-222	–	Cylinder
ND25x80	–	–	N123-021	N523-222	–	Cylinder
ND30	N123-022	N523-218	N123-032	N523-221	Closed	Push button
ND40	N123-022	N523-218	N123-032	N523-221	Privacy	Push button
ND44	N123-022	N523-218	N123-032	N523-221	Privacy	Push button
ND45	N123-022	N523-218	N123-032	N523-221	Privacy	Closed
ND50	N123-022	N523-218	N123-032	N523-221	Cylinder	Push button
ND53	N123-022	N523-218	N123-032	N523-221	Cylinder	Push/turn button
ND60	N123-022	N523-218	N123-021	N523-222	Cylinder	Cylinder
ND60 with closed outside lever	N123-022	N523-218	N123-021	N523-222	Closed	Cylinder
ND66	N123-022	N523-218	N123-021	N523-222	Cylinder	Cylinder
ND70	N123-022	N523-218	N123-032	N523-221	Cylinder	Closed
ND70x80	N123-022	N523-218	N123-021	N523-222	Cylinder	Cylinder
ND72	N123-022	N523-218	N123-021	N523-222	Cylinder	Cylinder
ND73	N123-022	N523-218	N123-032	N523-221	Cylinder	Push button
ND75	N123-022	N523-218	N123-021	N523-222	Cylinder	Cylinder
ND78	N123-022	N523-218	N123-021	N523-222	Cylinder	Cylinder
ND80	N123-022	47261997	N123-032	N523-221	Cylinder	Closed
ND80EL, ND80EU	N123-022	N523-218	N123-032	N523-221	Cylinder	Closed
ND81	N123-022	N523-218	N123-032	N523-221	Cylinder	Closed
ND82	N123-022	47261997	N123-021	N523-222	Cylinder	Cylinder
ND85	N123-022	47261997	N123-032	N523-221	Cylinder	Push button
ND91	N123-022	N523-218	N123-032	N523-221	Cylinder	Push button
ND92	N123-022	N523-218	N123-032	N523-221	Cylinder	Push /turn button
ND93	N123-022	N523-218	N123-021	N523-222	Cylinder	Cylinder
ND94	N123-022	N523-218	N123-032	N523-221	Cylinder	Closed
ND95	N123-022	N523-218	N123-021	N523-222	Cylinder	Cylinder
ND96	N123-022	N523-218	N123-032	N523-221	Cylinder	Closed
ND96EL, ND96EU	N123-022	N523-218	N123-032	N523-221	Cylinder	Closed
ND97	N123-022	N523-218	N123-032	N523-221	Cylinder	Push button
ND98	N123-022	N523-218	N123-021	N523-222	Cylinder	Cylinder

Conversion

Spring cage conversion by cylinder format

Cylinder format	Outside Spring Cage		Inside Spring Cage	
	Original	New	Original	New
JD, LD, MD, PD, RD, ZD	N123-022	47261997 (Fixed lever functions only) N523-218 (All other functions)	N123-021	N523-222
BD, BDC, GD, HD	N123-056		N123-057	
LD SAR, LD CO6	N123-064		N123-067	
JD CO6, JD SAR, JD CO7	N123-066		N123-069	
JD YA6/MED 31, JD YA7, JD MED 32	N123-065	N523-224	N123-068	N523-225

Lever conversion

ND locks manufactured before February 2017 may be upgraded to a new spring cage assembly and lever, and button assembly if applicable (all upgrades required at the same time).

Available lever designs: ATH=Athens, RHO=Rhodes, SPA=Sparta, TLR=Tubular, OME=Omega

Lever type	Original	New	Available lever design
Closed	03-030	03-230	ATH, RHO, SPA, TLR, OME
Privacy (outside only)	03-031	03-231	ATH, RHO, SPA, TLR, OME
Push button or push and turn button	03-031	03-233	ATH, RHO, SPA, TLR, OME
Cylinder – Schlage® KIL (P, L)	03-031	03-231	ATH, RHO, SPA, TLR, OME
Cylinder – Schlage FSIC (R, J, T)	03-032	03-232	ATH, RHO, SPA, TLR, OME
Cylinder – Schlage SFIC (B, BDC, G, H)	03-000	03-200	ATH, RHO, SPA, TLR, OME
Cylinder – Corbin Russwin® KIL (L CO6)	–	03-234	ATH, RHO, SPA, TLR
Cylinder – Corbin Russwin FSIC (J CO6)	03-066	03-266	ATH, RHO, SPA, TLR
Cylinder – Corbin Russwin 7-pin FSIC (J CO7)	–	03-235	RHO
Cylinder – Medeco® 31 (J YA6)	03-055	03-255	ATH, RHO, SPA, TLR
Cylinder – Medeco 32 (J MED)	–	03-237	ATH, RHO, SPA, TLR
Cylinder – Sargent® KIL (L SAR)	03-044	03-244	ATH, RHO, SPA, TLR
Cylinder – Sargent FSIC (J SAR)	03-077	03-277	ATH, RHO, SPA, TLR
Cylinder – Yale® FSIC (J YA6)	03-055	03-255	ATH, RHO, SPA, TLR
Cylinder – Yale 7-pin FSIC (J YA7)	–	03-236	RHO
Cylinder – Best®	03-000	03-200	ATH, RHO, SPA, TLR, OME

Button and plunger assembly conversion

ND locks manufactured before February 2017 may be upgraded to a new button assembly along with a spring cage assembly and lever (all upgrades required at the same time).

Button type/function	Button		Plunger assembly	
	Original	New	Original	New
Push button (ND30, ND40, ND44, ND50, ND73, ND91, ND97)	N523-000	N523-209	N123-028	N123-086
Push and turn button (ND53, ND92)	N523-001	N523-210	N123-017	N123-085
Spanner button (ND85)	N523-124	N523-211	24071920	N123-087

Indicator Lock Conversion

ND locks manufactured after February 2017 may be upgraded to include Indicator functionality.

Function	Description	Kit Number	Chassis Assembly	Indicator Assembly	Emergency Turn Assembly	Indicator	Plunger Assembly	Indicator Sign
ND40	Bath/bedroom privacy lock	40-800-40 626 OS-OCC RH	47594683	47710918	47697033	47995920	-	47858867 / 47858868
ND44	Hospital privacy lock	40-800-44 626 OS-OCC RH	47594683	47710918	47728132	47995920	-	47858867 / 47858868
ND50	Entrance/Office lock	40-800-50 626 IS-OCC RH	47706071	47710918	-	47995920	47844650	47858867 / 47858868
ND53	Entrance lock	40-800-53 626 IS-OCC RH	47706071	47710918	-	47995920	47844651	47858867 / 47858868
ND78	Classroom Security lock (with 180-degree lockdown)	40-800-78 626 IS-CRS RH	47716045	47710918	-	47995920	-	47858869
ND91	Entrance/Office lock with Vandlgard	40-800-91 626 IS-OCC RH	47853072	47710918	-	47995920	47844650	47858867 / 47858868
ND92	Entrance lock with Vandlgard	40-800-92 626 IS-OCC RH	47853072	47710918	-	47995920	47844651	47858867 / 47858868
ND98	Classroom Security lock with Vandlgard (with 180-degree lockdown)	40-800-98 626 IS-CRS RH	47853159	47710918	-	47995920	-	47858869

Function	Escutcheon Assembly	Escutcheon Set Screw Pack
ND40	47805906	47856038
ND44	47805906	47856038
ND50	47805906	47856038
ND53	47805906	47856038
ND78	47805906	47856038
ND91	47805906	47856038
ND92	47805906	47856038
ND98	47805906	47856038

Conversion

Lever conversion kits

ND locks manufactured before February 2017 may be upgraded to new parts and assemblies with conversion kits. All kits include a spring cage assembly and lever assembly. Some kits include a button or tailpiece (depending on function).

Kits may be ordered for one or both sides of the lock. Kits are available for all lever designs. Specify function, trim, finish and core (if applicable). For available finishes, refer to current Schlage Commercial Price Book.

40-400, Outside conversion kit

Outside lever type	Cylinder type	Spring cage assembly	Lever	Stop catch	Driver
Closed (ND10)	–	N523-218	03-230	–	–
Closed (ND12, ND30, ND45, ND60)	–	N523-218	03-230	N523-041	–
Open KIL	Schlage KIL	N523-218	03-231	–	–
FSIC	Schlage FSIC	N523-218	03-232	–	–
SFIC	Schlage SFIC	N523-218	03-200	–	–
SARG KIL	Sargent KIL	N523-218	03-244	–	09-060
SARG FSIC	Sargent FSIC	N523-218	03-277	–	09-063
COR RUSS 6P FSIC	Corbin Russwin 6-pin FSIC	N523-218	03-266	–	09-062
YALE 6P FSIC	Yale 6-pin FSIC	N523-224	03-255	–	09-061

40-600, Inside conversion kit

Inside lever type	Cylinder type	Spring cage assembly	Lever	Button	Driver
Closed	–	N523-221	03-230	–	–
Closed, electrified	–	N523-221	03-230	–	–
Open, push button	–	N523-221	03-233	N523-209	–
Open, push and turn button	–	N523-221	03-233	N523-210	–
Open, spanner button (ND85)	–	N523-221	03-233	N523-211	–
Open KIL	Schlage KIL	N523-222	03-231	–	–
FSIC	Schlage FSIC	N523-222	03-232	–	–
SFIC	Schlage SFIC	N523-222	03-200	–	–
SARG KIL	Sargent KIL	N523-222	03-244	–	09-060
SARG FSIC	Sargent FSIC	N523-222	03-277	–	09-063
COR RUSS 6P FSIC	Corbin Russwin 6-pin FSIC	N523-222	03-266	–	09-062
YALE 6P FSIC	Yale 6-pin FSIC	N523-225	03-255	–	09-061

Levers

All lever designs are available in finishes 605, 606, 612, 613, 622, 619, 625, 626, 643e, and 626AM.

Boardwalk, Longitude, Omega, Rhodes, Sparta, and Tubular designs meet California code for lever return to within 1/2" of door face.

Athens ATH

Cylinder options: KIL, FSIC, SFIC, L SAR, L CO6, J SAR, J CO6, Best

Boardwalk BRK

Cylinder options: KIL, FSIC, SFIC

Broadway BRW

Cylinder options: KIL, FSIC, SFIC

Latitude LAT

Cylinder options: KIL, FSIC, SFIC

Longitude LON

Cylinder options: KIL, FSIC, SFIC

Omega OME

Cylinder options: KIL, FSIC, SFIC, Best

Rhodes RHO

Cylinder options: KIL, FSIC, SFIC, L SAR, L CO6, J SAR, J CO6, J CO7, J MED, J YA6, J YA7, Best

Sparta SPA

Cylinder options: KIL, FSIC, SFIC, L SAR, L CO6, J SAR, J CO6, Best

Tubular TLR

Cylinder options: KIL, FSIC, SFIC, L SAR, L CO6, J SAR, J CO6, Best

Tactile warning levers

Tactile warning feature is available as milled surface on Athens, Latitude, Longitude, Rhodes, and Sparta designs, or as knurled surface on Boardwalk, Broadway, and Tubular designs. Applied to outside lever only unless otherwise specified.

Order by tactile lever codes:
 Athens **8AT**, Boardwalk **8BK**, Broadway **8BY**,
 Latitude **8LT**, Longitude **8LN**, Rhodes **8RO**,
 Sparta **8SP**, Tubular **8TR**

Tubular lever 8TR

Rhodes lever 8RO

Levers

Lever type/design		Configured lock no.	Sold separate no.
Closed– CL	Athens	ATH	03-230-ATH
	Rhodes	RHO	03-230-RHO
	Sparta	SPA	03-230-SPA
	Omega	OME	03-230-OME
	Tubular	TLR	03-230-TLR
	Broadway	BRW	47258043
	Boardwalk	BRK	47258044
	Latitude	LAT	47258045
	Longitude	LON	47258046
	Athens, tactile	8AT	03-230 8AT
	Rhodes, tactile	8RO	03-230 8RO
	Sparta, tactile	8SP	03-230 8SP
	Tubular, tactile	8TR	03-230 8TR
	Broadway, tactile	8BY	47260541
	Boardwalk, tactile	8BK	47260542
	Latitude, tactile	8LT	47260543
	Longitude, tactile	8LN	47260544
	Button– BT	Athens	ATH
Rhodes		RHO	03-233 RHO
Sparta		SPA	03-233 SPA
Omega		OME	03-233 OME
Tubular		TLR	03-233 TLR
Broadway		BRW	47258055
Boardwalk		BRK	47258056
Latitude		LAT	47258057
Longitude		LON	47258058
Athens, tactile		8AT	03-233 8AT
Rhodes, tactile		8RO	03-233 8RO
Sparta, tactile		8SP	03-233 8SP
Tubular, tactile		8TR	03-233 8TR
Broadway, tactile		8BY	47260553
Boardwalk, tactile		8BK	47260554
Latitude, tactile		8LT	47260555
Longitude, tactile		8LN	47260556
KIL/Open– P, Z, L		Athens	ATH
	Rhodes	RHO	03-231-RHO
	Rhodes, breakaway	RHO	XN13-052
	Sparta	SPA	03-231-SPA
	Omega	OME	03-231-OME
	Tubular	TLR	03-231-TLR
	Broadway	BRW	47258047
	Boardwalk	BRK	47258048
	Latitude	LAT	47258049
	Longitude	LON	47258050
	Athens, tactile	8AT	03-231 8AT
	Rhodes, tactile	8RO	03-231 8RO
	Sparta, tactile	8SP	03-231 8SP
	Tubular, tactile	8TR	03-231 8TR
	Broadway, tactile	8BY	47260545
	Boardwalk, tactile	8BK	47260546
	Latitude, tactile	8LT	47260547
	Longitude, tactile	8LN	47260548

Lever type/ design		Configured lock no.	Sold separate no.
FSIC– R, J, T, M	Athens	ATH	03-232 ATH
	Rhodes	RHO	03-232 RHO
	Rhodes, breakaway	RHO	XN13-054
	Sparta	SPA	03-232 SPA
	Omega	OME	03-232 OME
	Tubular	TLR	03-232 TLR
	Broadway	BRW	47258051
	Boardwalk	BRK	47258052
	Latitude	LAT	47258053
	Longitude	LON	47258054
	Athens, tactile	8AT	03-232 8AT
	Rhodes, tactile	8RO	03-232 8RO
	Sparta, tactile	8SP	03-232 8SP
	Tubular, tactile	8TR	03-232 8TR
	Broadway, tactile	8BY	47260549
	Boardwalk, tactile	8BK	47260550
	Latitude, tactile	8LT	47260551
	Longitude, tactile	8LN	47260552
SFIC– BDC, B, G, H	Athens	ATH	03-200 ATH
	Rhodes	RHO	03-200 RHO
	Rhodes, breakaway	RHO	XN13-053
	Sparta	SPA	03-200 SPA
	Omega	OME	03-200 OME
	Tubular	TLR	03-200 TLR
	Broadway	BRW	47258039
	Boardwalk	BRK	47258040
	Latitude	LAT	47258041
	Longitude	LON	47258042
	Athens, tactile	8AT	03-200 8AT
	Rhodes, tactile	8RO	03-200 8RO
	Sparta, tactile	8SP	03-200 8SP
	Tubular, tactile	8TR	03-200 8TR
	Broadway, tactile	8BY	47260537
	Boardwalk, tactile	8BK	47260538
	Latitude, tactile	8LT	47260539
	Longitude, tactile	8LN	47260540

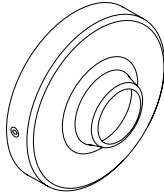
Roses/Escutcheons

Inside/outside rose, 03-042 RHO

Standard inside or outside rose for use with ATH, BRK, BRW, LAT, LON, RHO, SPA, or TLR levers.

Size: 3⁷/₁₆" dia.

Available in 605, 606, 612, 613, 619, 625, 626, 626AM, 622, 643e

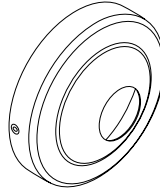


Omega inside/outside rose, 03-042 OME

Standard inside or outside rose for use with OME levers.

Size: 3⁷/₁₆" dia.

Available in 605, 606, 612, 613, 619, 625, 626, 626AM, 622, 643e.

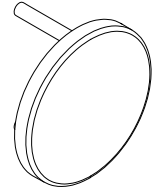


Blank outside rose, 47739993

Standard outside blank rose. For ND25, ND25x70 or ND25x80.

Size: 3⁷/₁₆" dia.

Available in 605, 606, 612, 613, 619, 625, 626, 622, 643e , 622, 643e

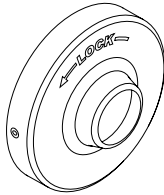


Printed inside rose (Rhodes) XN12-035

Inside rose printed with "LOCK". For use with classroom security function locks with ATH, BRK, BRW, LAT, LON, RHO, SPA, or TLR levers.

Size: 3⁷/₁₆" dia.

Available in 626 only.

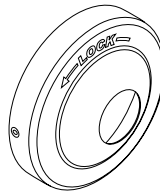


Printed inside rose (Omega) XN12-045

Inside rose printed with "LOCK". For use with classroom security function locks with OME levers.

Size: 3⁷/₁₆" dia.

Available in 626 only.

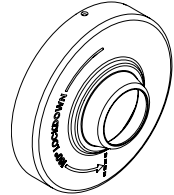


Printed inside rose (Rhodes) 47342586

Inside rose printed with "180° LOCKDOWN". For use with classroom security 78/98 function locks with ATH, BRK, BRW, LAT, LON, RHO, SPA, or TLR levers.

Size: 3⁷/₁₆" dia

Available in 626 only.

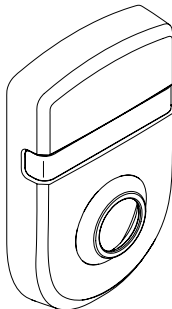


Indicator Escutcheon Assembly, 47805906

Standard inside or outside Escutcheon for use with Indicator function locks and all lever styles.

Size: 3¹/₁₆" wide and 6¹/₁₆" tall.

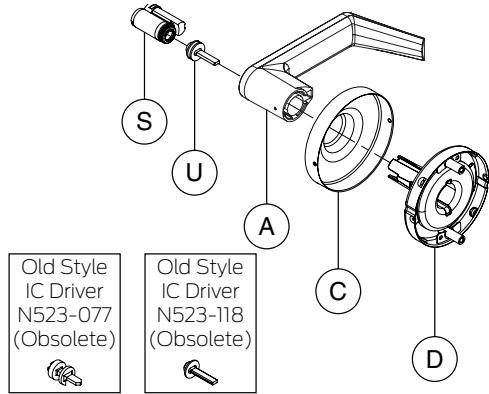
Available in 605, 606, 612, 613, 619, 625, 626, 626AM, 643E



IC cylinder configurations

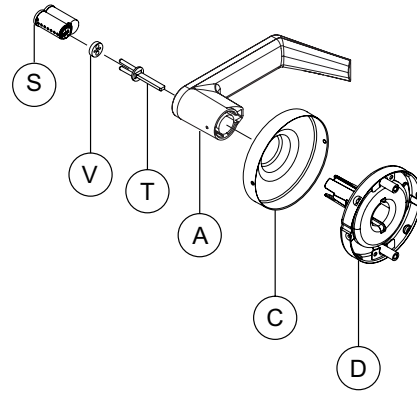
Full size IC (interchangeable core) and SFIC (small format IC) cylinders

Full size IC—outside



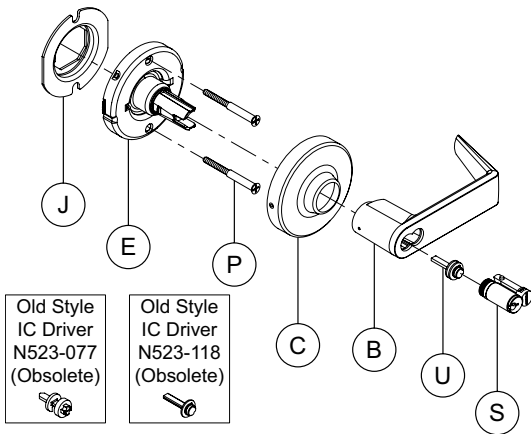
Letter	Description	Part number
A	Outside lever—full size IC	03-232
C	Rose	03-042
D	Outside spring cage—standard	N523-218
S	Cylinder—full size IC	23-030
U	IC driver	N523-127

SFIC—outside



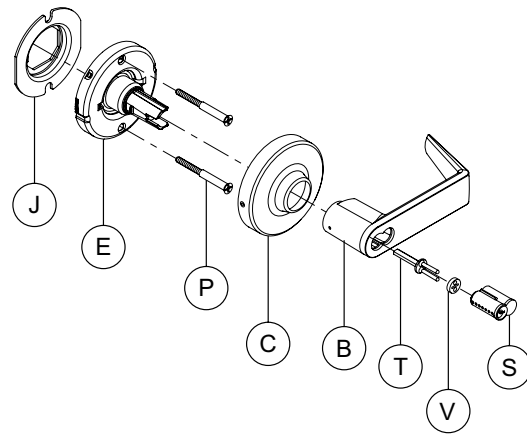
Letter	Description	Part number
A	Outside lever—SFIC	03-200
C	Rose	03-042
D	Outside spring cage—Standard	N523-218
S	Cylinder—SFIC	80-037
T	SFIC driver	N523-091
V	Small format IC spacer (6-pin only)	D500-000

Full size IC—inside



Letter	Description	Part number
B	Inside lever—full size IC	03-232
C	Rose	03-042
E	Inside spring cage —keyed inside	N523-222
J	Anti-rotation plate	N523-055
P	Mounting screw	N523-021
S	Cylinder—full size IC	23-030
U	IC driver	N523-127

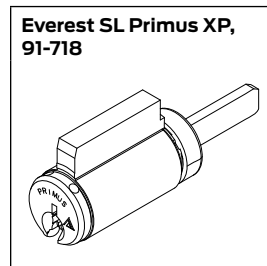
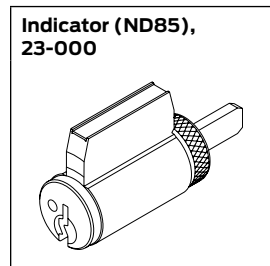
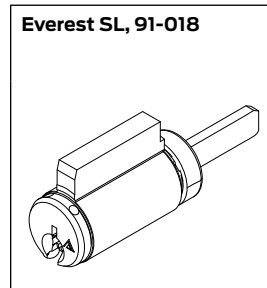
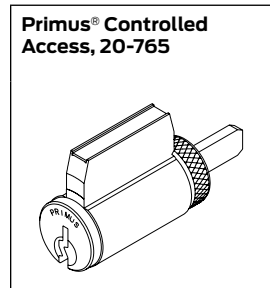
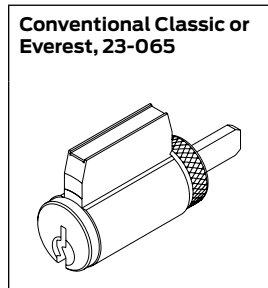
SFIC—inside



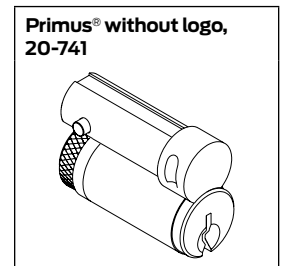
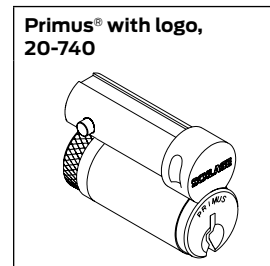
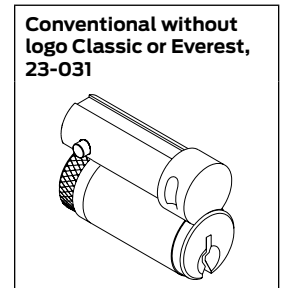
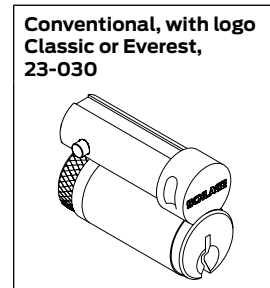
Letter	Description	Part number
B	Inside lever—SFIC	03-200
C	Rose	03-042
E	Inside spring cage—keyed inside	N523-222
J	Anti-rotation plate	N523-055
P	Mounting screw	N523-021
S	Cylinder—SFIC	80-037
T	SFIC driver	N523-091
V	Small format IC spacer (6-pin only)	D500-000

Cylinders

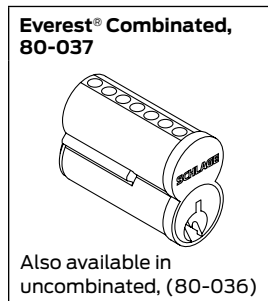
Standard cores



Full size interchangeable cores



Small format interchangeable cores



Cylinder tailpieces and tailpiece kits


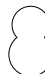

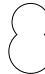

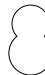
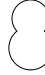
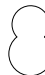
Cylinder Format	Tailpiece/Kit no.
Schlage, SCH-FSIC	N523-127
Schlage, SCH-SFIC	N523-091
Sargent, LD SAR	09-060
Yale/Medeco, JD YA6/MED 31	09-061
Corbin Russwin, JD CO6	09-062
Sargent, JD SAR	09-063
Corbin Russwin, LD CO6	10-140
Corbin Russwin, JD CO7	10-141
Yale, JD YA7	10-142
Medeco, JD MED 32	10-143
Schlage SFIC spacer, required for 6-pin core	D500-000
Schlage, SFIC driver (N523-091) and spacer (D500-000)	09-774

Competitor cylinder options

Available for all keyed functions. Available lever designs: Athens (ATH), Rhodes (RHO), Sparta (SPA) and Tubular (TLR).

Competitor lever designs are available in all finishes.

Tactile warning is available. See **Tactile warning levers** on page 113 for details.

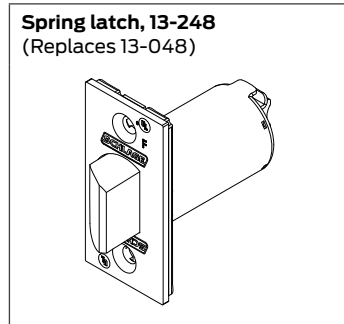
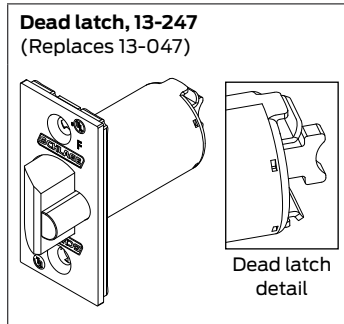
Cylinder	Order suffix	Description	Lever	Spring cage		Cylinder tailpiece
				Outside	Inside	
	LD SAR	Sargent Key In Lever	03-244	N523-218	N523-222	09-060
	JD SAR	Sargent Full Size Interchangeable Core cylinder	03-277			09-063
	LD CO6	Corbin Russwin Key in Lever 6-pin cylinder	03-234			10-140
	JD CO6	Corbin Russwin Full Size Interchangeable Core 6-pin cylinder	03-266			09-062
	JD CO7*	Corbin Russwin Full Size Interchangeable Core 7-pin cylinder	03-235			10-141
	JD YA6	Medeco 31 and Yale Full Size Interchangeable Core 6-pin cylinder	03-255	N523-224	N523-225	09-061
	JD MED	Medeco 32 Full Size Interchangeable Core	03-237			10-143
	JD YA7*	Yale Full Size Interchangeable Core 7-pin cylinder	03-236			10-142

* Available with Rhodes (RHO) lever design only.

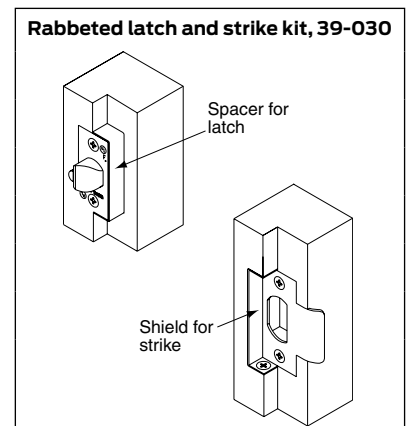
Latches

Latches

All ND-Series latches have one-inch diameter housing and adjustable faceplates for flat or beveled doors.



Backset	Description	Spring latch	Dead latch
2 ³ / ₈ "	Square corner, 1 ¹ / ₈ " x 2 ¹ / ₄ "	—	14-047
	Square corner, 1" x 2 ¹ / ₄ "	—	14-048
2 ³ / ₄ "	Square corner, 1 ¹ / ₈ " x 2 ¹ / ₄ ", standard	13-248***	13-247***
2 ³ / ₄ "	Anti-friction fire door latch, square corner, 1 ¹ / ₈ " x 2 ¹ / ₄ ", ³ / ₄ " throw	—	14-042**
3 ³ / ₄ "	Square corner, 1 ¹ / ₈ " x 2 ¹ / ₄ "	14-010	14-028
5"	Backset extension link	—	43-005*
—	Rabbeted latch and strike kit (605, 626 only). Adapts square corner latch and 2 ³ / ₄ " high square corner strike to ¹ / ₂ " rabbeted door and frame preparations.	39-030	

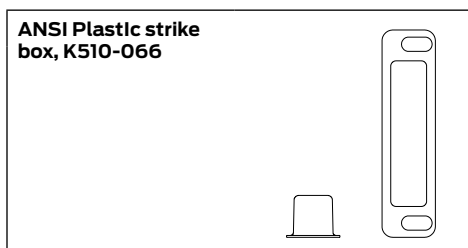
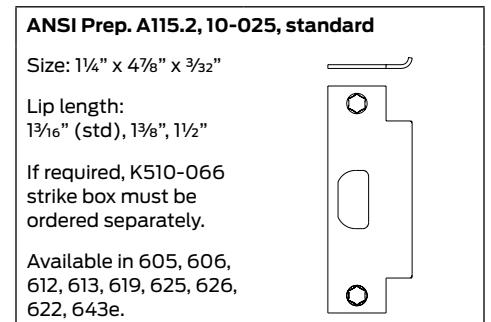
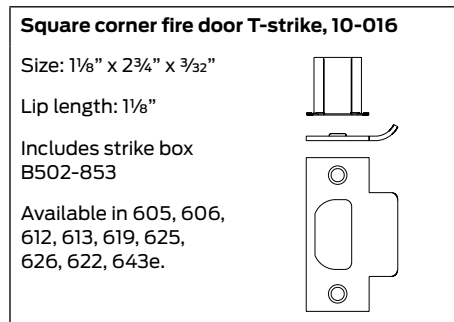
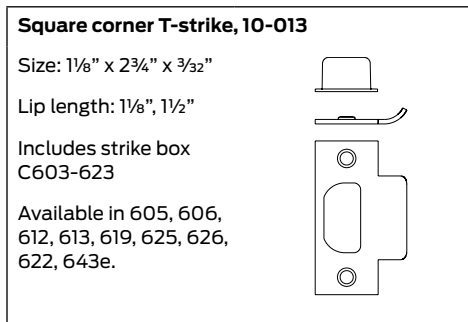


* Can only be used with 2³/₄" backset latch.

** Used for pairs of fire-rated doors.

*** No substitutes for HSLR trim

Strikes

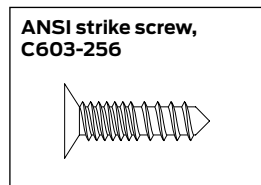
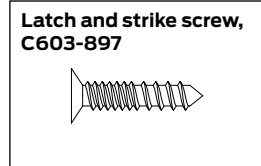


Parts

Screws, screw packs, and special parts

Screws

Part no.	Description	Door thickness	Type	Size
47622270	ND172 through bolts	1½" - 2"	POH machine	¼"-20 x 2½"
47262999	ND170, mounting, escutcheon	–	Sheet metal	#8 x 1"
N623-030	Motor assembly	–	PFH combo	#4-40 x ¾"
N523-135	RX switch	–	Hex B.H.	#2-56 x ¾"
N523-240	Chassis to spring cage	–	PFH combo	#8-32 x ¼"
L583-454	Chassis	–	PFH	#8-32 x ¾"
C603-256*	ANSI strike screw	–	PFH combo	12-24 x 1"
C603-897*	Latch and strike screw	–	PFH combo	#8 x ¾"
N523-021	Spring cage screws	1¾" - 2"	POH machine	#10 x 32 x 2½"



Screw packs, standard

Part no.	Description	Contents
B502-517*	Latch and strike screws	(4) C603-897
N123-020*	Mounting, all except ND170	(4) C603-897
		(2) C603-256
		(2) N523-021
		(1) M504-271
47262735 (626 only)	170 through bolt assembly, 626 only	(2) 47266669
		(1) N523-092
		(1) A501-171
		(1) 47263756 & 47262002
C203-736*	ANSI Strike	(2) C603-256
47856038	Set Screw & Hex Wrench	(1) 47805909
		(1) F720-004

Screw packs, Torx®

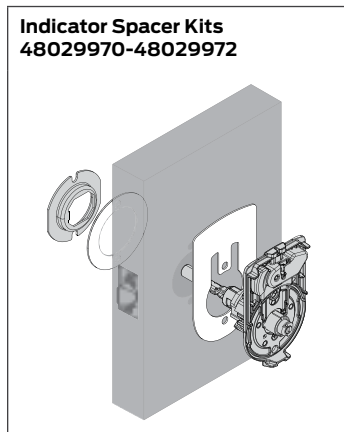
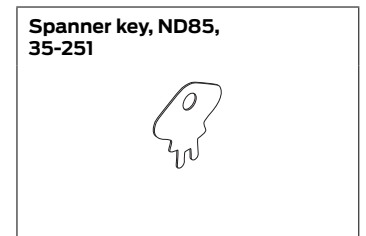
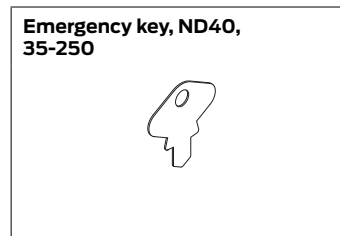
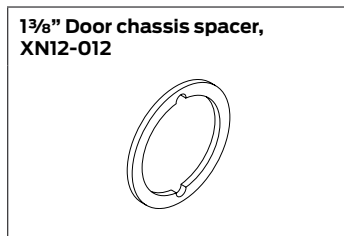
Part no.	Description	Contents
C203-311*	Latch and strike (includes tool)	(4) C503-766 (T-15)
C203-312*	Latch and ANSI strike (includes tool)	(2) C503-766 (T-15)
		(2) L583-371 (T-20)
47856068	Tamper resistant Escutcheon set screw pack (includes tool)	(1) 47855744 (TR8)

* Specify finish.

Parts

Special parts

Part no.	Description
XQ02-309*	10-013 Strike, 7/8" flat lip
XQ03-494*/**	10-013 Strike, 1 5/8" - 6" lip
	10-013 Strike, 6 1/8" - 12" lip
XQ07-351*/**	10-025 Strike, 7/8" flat lip
	10-025 Strike, lips through 6" (except 7/8", 1 3/16", 3/8" and 1 1/2")
XC03-069	Extension links used with 2 3/4" backset latches; range over 5" - 42" (not adjustable)
XN12-012*	Chassis spacer for 1 3/8" door (2 required)
35-250	Emergency key, ND40
35-251	Spanner key, ND85
47269199*	Blank latch faceplate kit
48029970***	Indicator Spacer Kit for doors 1 3/8" to < 1 1/2" thick
48029971***	Indicator Spacer Kit for doors 1 1/2" to < 1 5/8" thick
48029972***	Indicator Spacer Kit for doors 1 5/8" to 1 3/4" thick



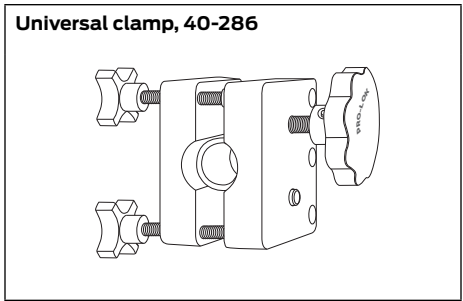
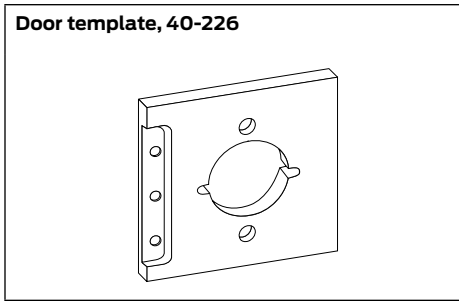
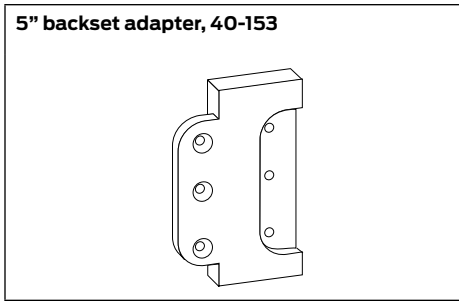
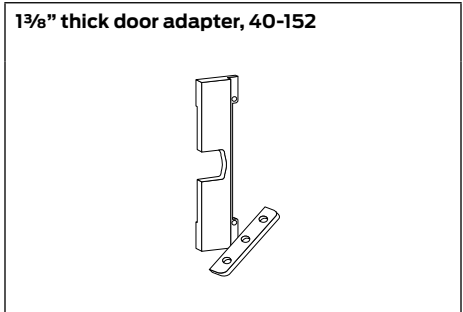
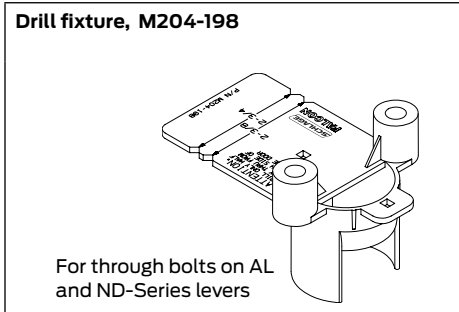
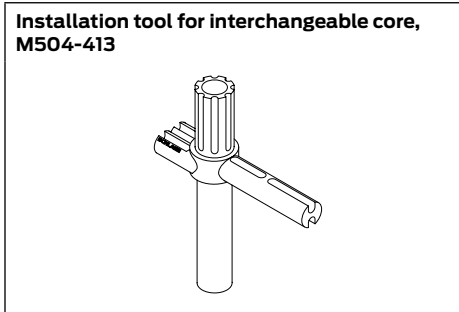
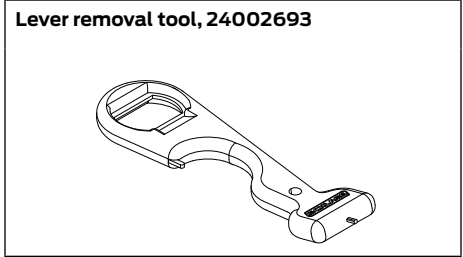
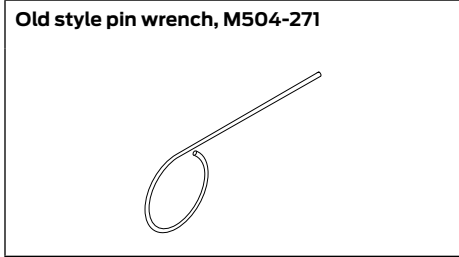
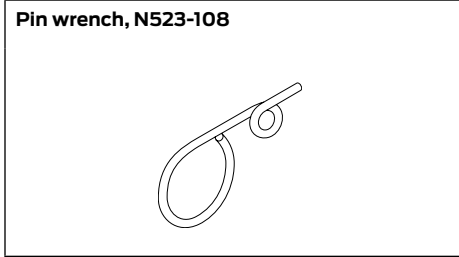
* Specify finish.

** Specify lip length.

*** Available in 622 or 626 finish

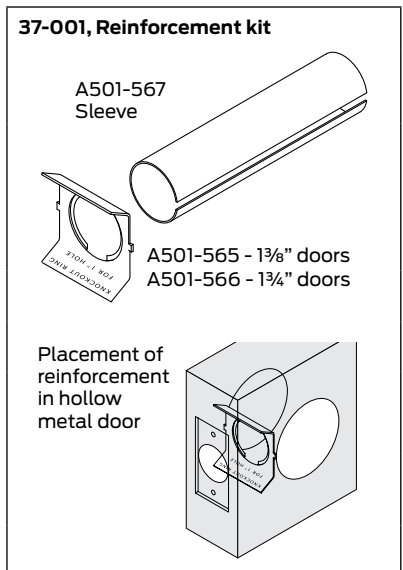
Installation tools and kits

Boring jigs and tools are designed to provide fast and accurate lock installation. Complete kits or individual tools can be ordered for preparing doors and jambs for Schlage products.



Reinforcements and adapters

Part no.	Description
43-005	5" backset extension link for use with 2 3/4" backset latches only; requires reinforcement when used with hollow metal door
37-001	Steel door reinforcement kit, fits both 7/8" and 1" housing diameter. Used to reinforce and prevent the collapse of hollow metal doors when locksets are mounted. This kit should be used in hollow metal doors to prevent lateral movement of the latch bolt. Kit includes reinforcement (A501-565 or A501-566), and sleeve (A501-567). Sleeve is included for long backset installations. Specify door thickness. Parts may be ordered separately.
A501-565	1 3/8" thick hollow steel door reinforcement. Fits both 7/8" and 1" housing diameter.
A501-566	1 3/4" thick hollow steel door reinforcement. Fits both 7/8" and 1" housing diameter.
A501-567	3 1/2" long latch housing reinforcement sleeve. Used to reinforce joint between latch and backset link, or to hold latch in hollow metal doors.
24483760	1 3/4" thick hollow steel/aluminum door reinforcement fits 1" housing diameter. For use in unreinforced hollow metal doors.
47269199	Blank latch plate kit. Specify finish.



Installation tools and kits

Installation kit 40-147

Installation kit 40-147 for locksets and deadbolts is adjustable for 2³/₈" and 2³/₄" backsets. Includes a removable bushing adaptor for 7/8" latch hole. For door thickness 1³/₈" to 2¹/₈".

Part no.	Description	Part no.	Description
40-029	Full lip strike chisel	40-148*	Installation jig
40-030	1 ¹ / ₈ " x 2 ³ / ₄ " latch chisel	40-175	1" bit
40-031	1" x 2 ¹ / ₄ " latch chisel	40-176	2 ¹ / ₈ " multi spur bit
40-032	1 ¹ / ₈ " x 2 ¹ / ₄ " latch chisel	40-177	1 ¹ / ₂ " multi spur bit
40-179	1" strike locator	M504-497*	Case

* May be ordered separately.

Only sold Separately:	
40-015	7/8" Bit
40-035	7/8" Strike Locator

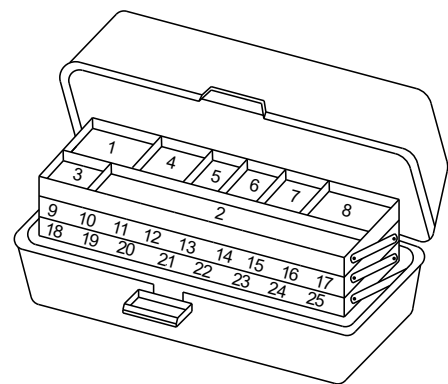


Maintenance kit 40-097

Maintenance kit for ND-Series lever locks contains: plunger sleeves, screw packs in various finishes, slide catches, and service parts listed below.

Part no.	Description	Qty	Slot no.
N523-055	Plate, anti-rotation	2	1
N523-020	Cylinder	3	2
N523-091	Driver, SFIC	5	2
N523-127	Driver, IC	5	2
23988066	Insert, gauge	10	3
N523-025	Clip, slide	2	4
N523-149	Slide	2	4
D500-000	Spacer, SFIC	5	5
N523-021	Screw, mounting	4	5
47269197	Screw Pack, ND170	1	5
C604-187	Catch, slide	2	6
C604-188	Catch, slide	2	6
C604-191	Spring, catch, slide	4	6
C503-019	Slide, spring	8	7
N523-054	Plate, adjustment	2	8
N123-007	Keycam assembly	2	9
N123-008	Keycam assembly	2	10
N123-009	Keycam assembly	2	11
N123-010	Keycam assembly	2	12
N123-011	Keycam assembly	2	13
N123-012	Keycam assembly	2	13
N123-013	Keycam assembly	2	14
24002693	Tool, trim removal	2	15
N123-086	Plunger assembly	5	16
N123-085	Plunger assembly	3	17
N523-177	Spindle, inside	2	18
N523-013	Spindle, outside	2	19
N523-019	Spindle, outside, electrified	2	20
N123-020	Package, screw	2	21
24085037	Hub, inside	2	23

Part no.	Description	Qty	Slot no.
24085060	Hub, inside, double cylinder	2	24
24088544	Housing, outside	2	Bottom
M504-413	Installation tool, IC	1	Bottom
N523-218	Spring cage assy, outside	2	Bottom
N523-221	Spring cage assy, inside	1	Bottom
N523-222	Spring cage assy, SFIC, I/S	1	Bottom
47268754	Lever Holder assy, dummy	1	Bottom
N523-224	Spring cage assy, outside, comp	1	Bottom
N523-225	Spring cage assy, inside, comp	1	Bottom
P515-181	Component sheet	1	Bottom



Electrified locks

Electrified locks

ND-Series EL, electrically locked (fail safe)

Outside knob/lever or both outside and inside knobs/levers (depending on function) will lock when power is applied. In the event of power failure, the opening will be unlocked.

ND-Series EU, electrically unlocked (fail secure)

Outside knob/lever or both outside and inside knobs/levers (depending on function) will unlock when power is applied. In the event of power failure, the opening will be locked.

Electrical requirements

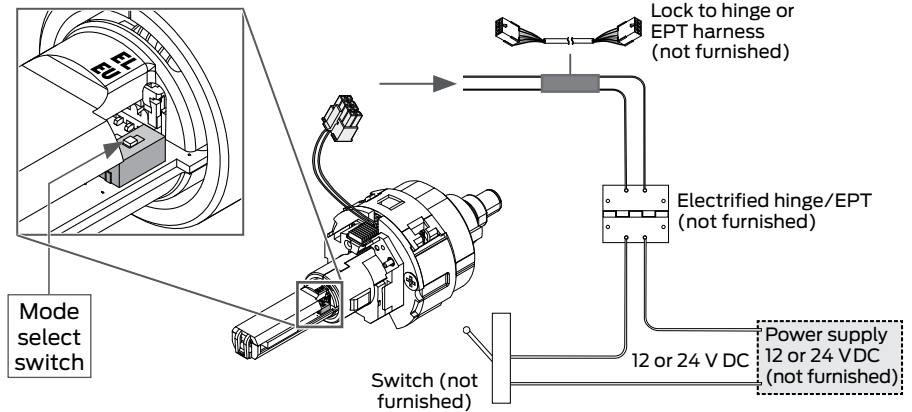
ND-Series electrified locks are powered by DC power only. DO NOT USE AC POWER.

- Voltage: 12 or 24 V DC (maximum 26.4 V, minimum 10.8 V)
- Holding current: 10 mA
- Peak current: 230 mA at 70°F
- Operating temperature: 32°F to 120°F (0°C to 49°C)
- All power requirements shown are for single lock operation.

Maximum Total Wire Length

	AWG	14	16	18	20
Voltage	12 V	500' (152 m)	300' (91 m)	200' (61 m)	100' (30 m)
	24 V	Up to 1000' (304 m)			

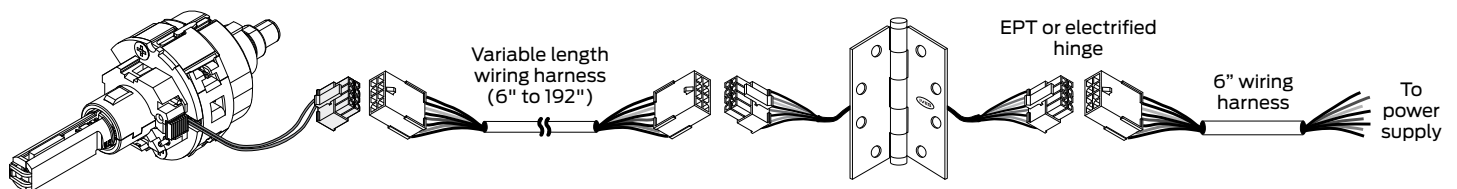
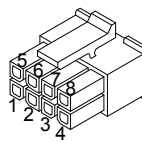
Note: Either lock wire may be attached to either power supply terminal (+ or -).



Allegion Connect

Allegion Connect, a factory-installed Molex® connector system, provides simplified installation and maintenance utilizing quick-connect harnesses and hinges. Alternatively, the Molex connector may be cut off and the lock installed with traditional wire splicing methods.

Wire Color and Function		
Pin	Color	Function
1	Black	Power (auto detects GND, +12 or +24 V DC)
2	Red	Power (auto detects GND, +12 or +24 V DC)
3	Purple	RX NO (normally open)
4	Grey	RX NC (normally closed)
5	White	RX COM (common for RX)
6, 7, 8		Not used



Request-to-exit feature

Request-to-exit feature

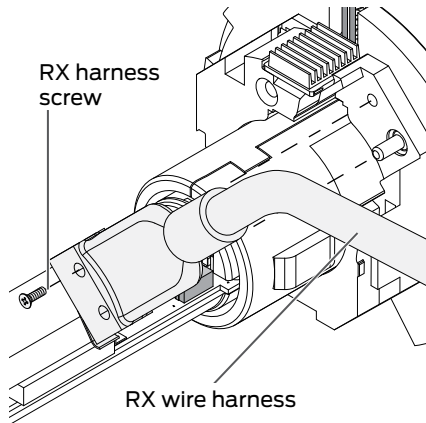
Request-to-exit (RX) utilizes a microswitch attached to the lock chassis to detect rotation of the inside knob/lever. The switch then signals the use of the opening to the security system.

Attach wires from the RX switch wire harness to an electrified hinge/EPT (not furnished). Refer to **Allegion Connect** on page 124 for wire identification.

Electrical rating: 2 A, 30 V DC

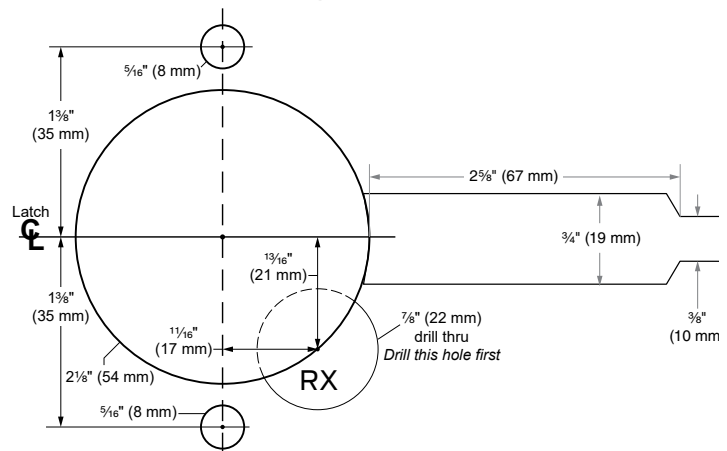
RX switch upgrade kit

N123-062 Kit includes one each: wiring harness (N523-194), harness screw (N523-135), RX anti-rotation plate (N523-131), and instruction sheet. All components except instruction sheet are sold separately.



Door Preparation: Important! Drill RX hole first.

Drawing is not to scale.

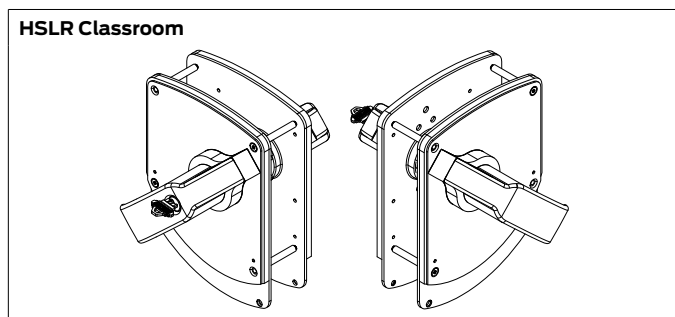
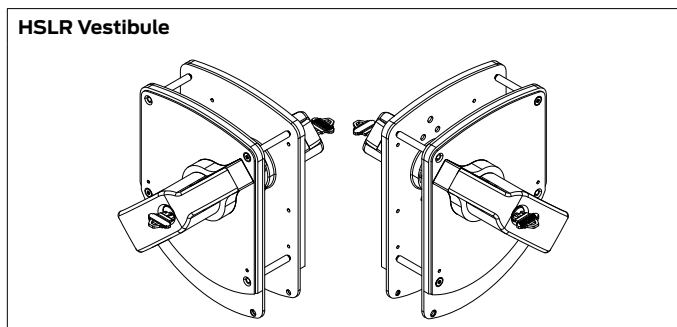
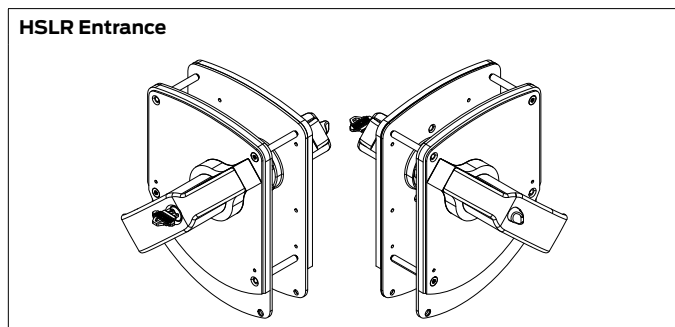
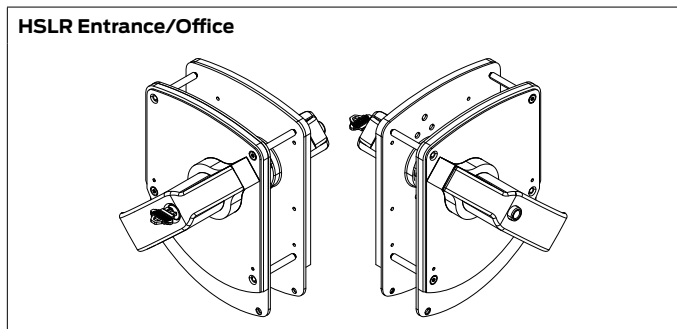
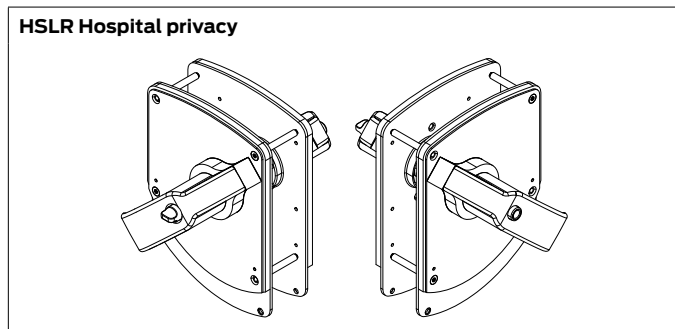
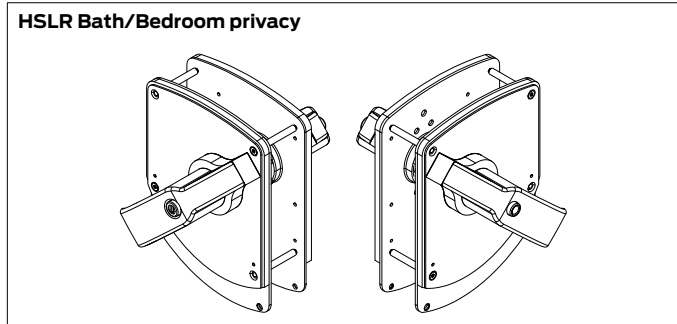
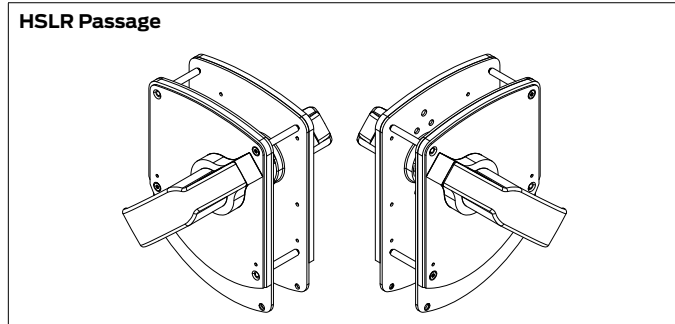


High security ligature resistant (HSLR) trim

High security ligature resistant (HSLR) trim

Recommended for high-risk applications.

Trim plates are stainless steel and levers are stainless steel with aluminum spacer. Locks are ADA and BAA compliant, and ANSI/BHMA A156.2-2017 Grade 1 certified. ICC A117.1 Accessible and Usable Buildings and Facilities compliant. UL listed 3-hour.



Notes: 1) Available with all functions except ND25, ND30, ND45, ND25x70, ND25x80, ND60, ND70x80, ND72, ND170, ND172, and ND85.

2) For 1 $\frac{3}{4}$ " doors only.

3) Available finish: 630 (satin stainless steel).

4) Not available with "L" (lock less cylinder) option.

5) Supplied with Torx® security screws.

6) Specify handing.

7) Trim dimensions 6.17" wide x 8.48" high x 3.01" deep.

Finishes

Finishes

Schlage Lock finishes are durable, top quality finishes obtained by the careful processing of solid brass, bronze, stainless steel, or other materials.

Where required, a protective clear coating is applied and cured under high temperature. It is important that the climatic conditions and usage be taken into consideration when selecting finishes. This is especially true in areas subjected to strong corrosive vapors, humid climate, or sea air which, in short time, may have a damaging effect on metal finishes.

The longevity and preservation of the finish appearance is determined by base metal and finishing process. Clear protective coating or other organic finishing applications may

require different methods of cleaning and care. For example, non-clear coated finishes should not be cleaned with any soaps or solvents. Organically coated surfaces should periodically be cleaned with a mild non-abrasive soap and be buffed lightly with a clean cloth. The type of base metal and finished techniques must be considered when applying any cleaning or preservative method.

In some instances for customer convenience, the most appropriate BHMA (Builders Hardware Manufacturers Association) finish symbols are used to indicate similarity of appearance regardless of base metal or finishing process. Finish numbers in the 600-Series are the BHMA industry standard. The nearest former U.S. equivalent code designations are shown in parenthesis.

Finish codes and descriptions

Schlage code	BHMA	Description
605	(US 3)	Bright brass, clear coated
606	(US 4)	Satin brass, clear coated
612	(US 10)	Satin bronze, clear coated
613	(US 10B)	Oil rubbed bronze, oxidized satin bronze, oil rubbed, no coating
619	(US 15)	Satin nickel, clear coated
622	(US 19)	Matte black

Schlage code	BHMA	Description
625	(US 26)	Bright chromium plated, no coating
626	(US 26D)	Satin chromium plated, no coating
626AM		Antimicrobial coating on satin chromium
630*	(US 32D)	Stainless steel
643e	(US 11)	Aged bronze

* For HSLR trim only.

Ordering procedures

To order Schlage products, descriptive data should be in the same sequence as shown below.

Line Item	Qty	Product	Outside		Inside		Hand	Latch	Strike	Dr Thk	Ext	Dim	Additional Details
			DES	FIN	DES	FIN							
1	2	3	4	5	6	7	8	9	10	11	12	13	14

Line Item:	Line item number
Qty:	Quantity
Product:	Complete lock product or part number
Outside DES:	Outside design code
Outside FIN:	Outside finish code
Inside DES:	Inside design code
Inside FIN:	Inside finish code
Hand:	Hand of door: Only one hand allowed per line item. Example: RH=right hand, LH=left hand, RR=right reverse, LH=left reverse
Latch:	Leave blank for standard latch or specify part number if non-standard latch is required
Strike:	Leave blank for standard strike or specify part number if non-standard latch is required. LLL=less strike
Dr Thk:	Door thickness: Enter door thickness if non-standard, example 138=1 ³ / ₈ ", 214=2 ¹ / ₄ ", 212=2 ¹ / ₂ " (EI or EO assumes the latch will be centered on 1" door, to which material has been added)
Ext:	Extension: Enter one of the following when door 2" thick or greater are specified: EE=extended equally, EI=extended inside, EO=extended outside, ED=extended differently
Dim:	Dimension: Enter dimension for non-standard strike lip length and mortise cylinder or blocking ring length
Additional Details:	Enter detail for keying information and for special requirements

Limited warranty

Product warranty: Commercial applications

Limited warranty

Schlage Lock Company, LLC (the "Company") extends a three-year limited warranty and one year limited electromechanical warranty to the original user of the products manufactured by the Company (the "Products") against defects in material and workmanship from the date of purchase. Certain Products contain restrictions to this limited warranty, additional warranties or different warranty periods. Please see below for specific Product warranty information.

What the Company will do: Upon return of the defective Product to the Company or its authorized distributor for inspections, free and clear of all liens and encumbrances and accompanied by the statement of defects or proof of purchase, the Company will replace the Product.

Original User: These warranties only apply to the Original User of Products. These warranties are not transferable.

What Is not covered: The following costs, expenses and damages are not covered by the provisions of these limited warranties: (i) labor costs including, but not limited to, such costs for the removal and reinstallation of Products; (ii) shipping and freight expenses required to return the Products to the Company; or (iii) any other incidental, consequential, indirect, special and/or punitive damages, whether based on contract, warranty, tort (including, but not limited to strict liability or negligence), patent infringement, or otherwise, even if advised of the possibility of such damages. Some states do not allow the exclusion or limitation of incidental or consequential damages, so the above exclusion or limitation may not apply to you.

The provisions of this warranty do not apply to Products: (i) used for purposes for which they are not designed or intended; (ii) which have been subjected to alteration, abuse, misuse, negligence or accident; (iii) which have been improperly stored, installed, maintained or operated; (iv) which have been used in violation of written instructions provided by Schlage; (v) which have been subjected to improper temperature, humidity or other environmental conditions (i.e., corrosion); or (vi) which, based on the Company's examination, do not disclose to the Company's satisfaction non-conformance to the warranty. Additionally, the Company will not warrant ANSI A156.2 Grade 2 lever Product installed in educational facilities and student housing.

Specific product warranty restrictions/additional warranties

ND-Series Levers 10-Year Mechanical Warranty: The limited warranty is provided for a period of ten (10) years from the date of purchase and is subject to the restrictions of these limited warranties.

Small Format Interchangeable Core (SFIC) Warranty: The limited warranty also applies to Schlage locks and housings when used with another manufacturer's cores, or to Schlage cores (i.e. SFIC) when used in another manufacturer's locks and housings. The use of unauthorized cylinder cams or other components with the Products shall void these warranties.

Everest® Primus® Limited Lifetime Key Breakage Warranty: A limited lifetime warranty is provided to the original user against breakage and is subject to the restrictions of these limited warranties.

Product warranties, additional terms & conditions: commercial and residential applications

Additional Terms: The Company does not authorize any person to create for it any obligation or liability in connection with the Products. The Company's maximum liability under these warranties is limited to the purchase price of the Product. No action arising out of any claimed breach of these warranties by the Company may be brought by the original user more than one (1) year after the cause of action has arisen.

How State Law applies: These warranties give you specific legal rights, and you may also have other rights which vary from state to state.

Note: Should the Product be considered a consumer product as may be covered by the Magnusson Moss Federal Warranty Act, please be advised that: (1) Some states do not allow limitations or incidental consequential damages or how long an implied warranty lasts so that the above limitations may not fully apply; and (2) This warranty gives specific legal rights and a user may have other rights which may vary from state to state.

For warranty service and shipping instructions, Schlage and Portable Security Commercial customers contact:

Schlage, Customer Care
3899 Hancock Expressway
Colorado Springs, CO 80911
(877) 671-7011
Fax (800) 452-0665

The Schlage Lock Company reserves the right to make changes in designs and specifications or to make additions or improvements on its products without notice and without incurring any obligation to incorporate them on products previously manufactured.

The Schlage Lock Company is not responsible for any modification, addition or alteration to our products by others.

About Allegion™

Allegion (NYSE:ALLE) is a global pioneer in safety and security, with leading brands like CISA®, Interflex®, LCN®, Schlage® and Von Duprin®. Focusing on security around the door and adjacent areas, Allegion produces a range of solutions for homes, businesses, schools and other institutions. Allegion is a \$2 billion company, with products sold in almost 130 countries.

For more, visit www.allegion.com.

aptiQ ■ LCN ■ **SCHLAGE** ■ STEELCRAFT ■ VON DUPRIN