



XE360™ Series

Service manual



Contents

3	Introduction
3	Specifications
4	XE360 Models
5	Functionality
6	Locks
7	Tubular
8	Mortise with deadbolt
9	Mortise
10	Exit wide, surface vertical rod
11	Exit wide, rim
12	Parts and accessories
13	Exit kits
15	Levers
15	Latches
16	Battery packs
16	Mortise chassis and armor
16	Strikes
18	Wiring harnesses
18	Cylinders
19	Covers
20	Door thickness kits
21	FleX Module kits
21	Decorative plates
22	Condensation sealant kits
23	Fastener reference

Introduction

This manual contains a complete listing of XE360 wireless electronic lock parts and assemblies, along with exploded views of each lock with an accompanying chart to identify parts for replacement purposes.

Specifications

Mechanical			
	Tubular	Mortise	Exit trim, wide stile
Handing	On-site handing with included hex key		
ANSI standard ¹	ANSI/BHMA A156.02-2017 Grade 2 ANSI/BHMA A156.25-2018 Locked outdoor type ANSI/BHMA A156.5-2020	ANSI/BHMA A156.13-2017 ANSI/BHMA A156.25-2018 Locked outdoor type ANSI/BHMA A156.5-2020	ANSI/BHMA A156.3-2014 Grade 1 ANSI/BHMA A156.25-2018 Locked outdoor type ANSI/BHMA A156.5-2020
Door thickness	1 ¾" (44 mm)		
Backset	Standard: 2 ¾" (70 mm), field adjustable to 2 ⅜" (60 mm)	2 ¾" (70 mm)	Defined by exit device
Latchbolt	1" x 2 ¼" (25 mm x 57 mm); square and round corner faceplate (round corner standard, square corner included in package) 1" (25 mm) edge bore required	Standard: ¾" (19 mm) throw stainless steel latch bolt with anti-friction tongue	Defined by exit device
Deadbolt	n/a	1" (25 mm) throw, stainless steel	n/a
Armored front	n/a	1 ¼" x 8" x 7/32" (32 mm x 203 mm x 6 mm) only	n/a
Strike	Standard: 1 ⅝" x 2 ¾" (29 mm x 70 mm), round corner, no box, latch strike Optional: Additional strike lip lengths and ANSI strike box available	Standard: ANSI 1 ¼" x 4 ⅞" (32 mm x 124 mm) x 1 ⅜" (30 mm) curved lip strike Optional: Additional strike lip lengths and ANSI strike box available	Defined by exit device
Lock			
Levers	Zinc		
Stile width	Minimum 4 ¼" (108 mm)		
Materials	All-metal chassis and escutcheon; exterior polycarbonate elements		
Cylinder and keys	Schlage Classic C keyway, Conventional 6-pin cylinder, keyed 5-pin with two keys		
Users	2,000 ²		
Audits	2,000 ²		
Visual communications	LED (red, amber, green, blue)		
Audible communications	Yes, field configurable		
Communication and encryption standards – lock	Bluetooth® low energy (version 5)		
	Advanced Encryption Standard (AES), 128- and 256-bit		
Communication and encryption standards – mobile credentials	Bluetooth® Low Energy: AES 256-bit using CBC & ECDSA 256		

¹ Meets or exceeds.

² Maximum storage capacity of lock. Can vary by access control software

Introduction

Credential verification time	Smart and proximity: ≤ 1 second
	Mobile: mobile device dependent
System interface	Via Bluetooth using the ENGAGE mobile app compatible with iOS and Android
Battery life ³	Up to two 2 years
	4 AA batteries, included
Operating temperature	Exterior: -31° to 151°F (-35° to 66°C)
	Interior: 32° to 120°F (0° to 49°C)
Operating humidity	0 - 100% non-condensing
Certifications	ANSI/BHMA A156.02-2017 Grade 2, ANSI/BHMA A156.25-2018 Locked outdoor type, ANSI/BHMA A156.5-2020, UL 294, UL 10C 3-hour, ULC 60839, CAN/ULC S104 3-hour, FCC Part 15, Industry Canada (IC), ADA compliant, ROHS, TAA

Reader

Credential technologies	Smart (13.56 MHz), Bluetooth Low Energy (BLE) (2.4 GHz), and Near Field Communication (NFC)
Standards	ISO standard 15693 and ISO 14443
Read range	Smart: up to .75" Bluetooth® low energy: up to 15' NFC: mobile device dependent
Smart credential compatibility	Secure sector compatibility: Schlage MIFARE Classic®, Schlage MIFARE® DESFire® EV CSN only compatibility: HID iCLASS®, HID iCLASS SE®, MIFARE Classic/Plus/DESFire
Mobile credential compatibility ⁴	Schlage Mobile Bluetooth Credential ⁵ , Integrated PACS mobile credential with Bluetooth, Apple wallet NFC student ID and employee badge mobile credentials; Google wallet NFC student ID and employee badge mobile credentials

³ Assuming indoor application, default settings, 80 actuations, interior LED disabled

⁴ Dependent on PACS provider capabilities. Visit us.allegion.com/alliances for more information

⁵ Supported through ENGAGE

XE360 Models

Product Model Description	Product Model
Mortise Dead Bolt With Thumb turn	XE360-M-D
Mortise Dead Latch Lock With Integrated Button	XE360-M-B
Mortise Dead Latch Lock With Indicator Only	XE360-M-I
Tubular Lock With Indicator Integrated Button	XE360-T-B
Tubular Lock With Indicator Only	XE360-T-I
Exit Trim With Integrated Button	XE360-EW-XX-B
Exit Trim With Indicator Only	XE360-EW-XX-I
➔ Note: XX represents the Exit Device Configuration	

Introduction

Functionality

The XE360 Series is available with four locking functions which are adaptable in the field.

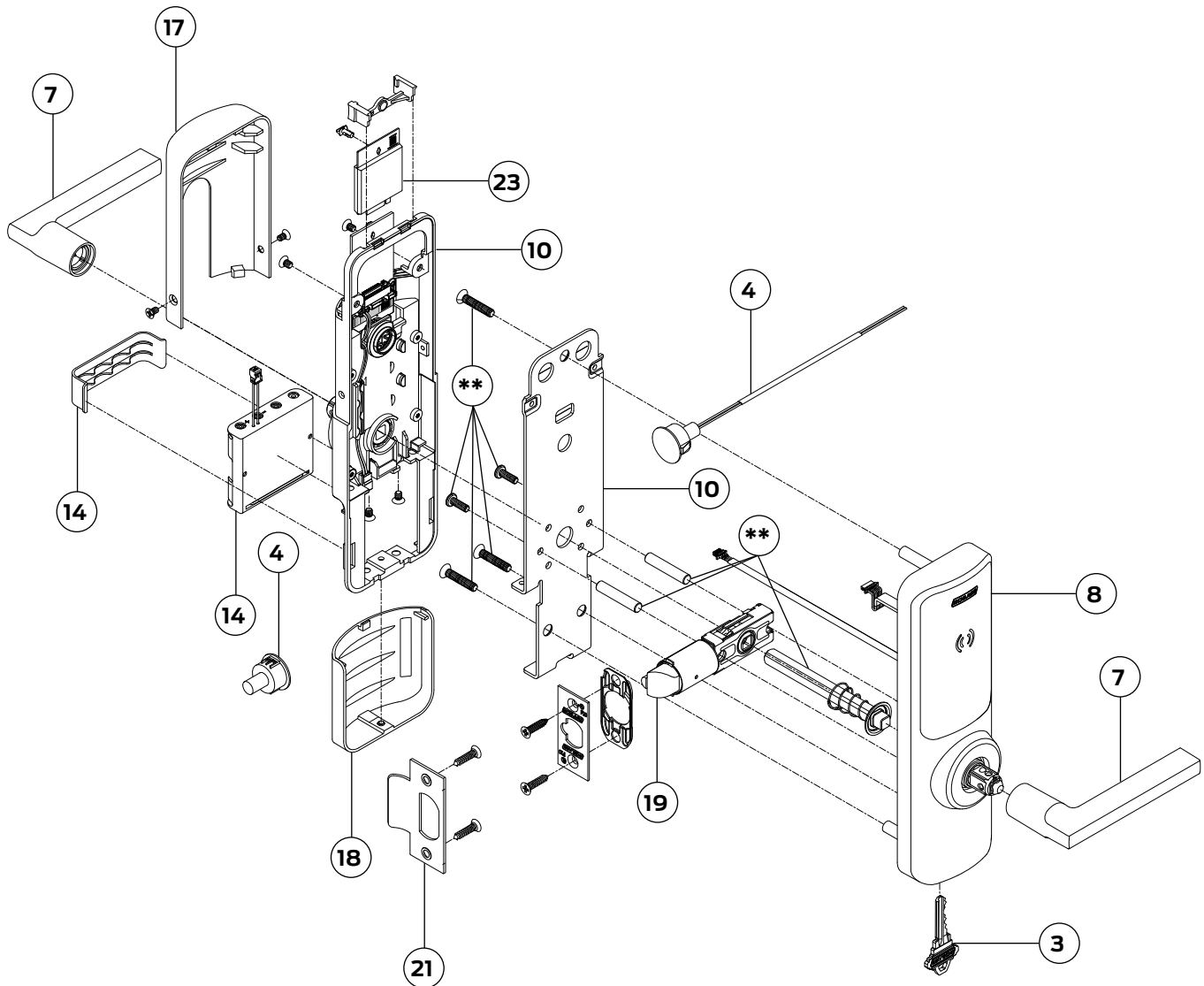
B: button, I: indicator, D: deadbolt

Function	Description	Tubular		Mortise			Exit	
		B	I	B	I	D	B	I
Storeroom	Lockset is normally secure. Inside lever always allows free egress. Valid toggle credentials on the exterior may be used to change to a passage or secured status.		•		•			•
Office	Lockset is normally secure. Inside lever always allows free egress. Interior push button may be used to select a passage or secured status. Meets need for lockdown function for safety and security. NOTE: Valid toggle credentials on the exterior may also be used to change status.	•		•			•	
Privacy	Lockset is normally secure. Inside lever always allows free egress. Interior push button or thumbturn may be used to select a privacy status. The interior push button will disable normal electronic access from the exterior. Opening the door, pressing the interior push button a second time, or turning the thumbturn deactivates the privacy status. Door Position Sensor (DPS) must be installed for proper functionality.	•		•		•	•	
Apartment	Lockset is normally secure. Inside lever always allows free egress. Inside push button or thumbturn may be used to select a passage or secured status. Opening the door, pressing the inside push button, or turning the thumbturn causes the lockset to toggle unsecured. While toggled unsecured, the lockset can only be secured while the door is closed by pressing the interior push button, turning the thumbturn, or using a normal credential on the exterior. Normal electronic access from the exterior is always allowed. Door Position Sensor (DPS) must be installed for proper functionality.	•		•		•	•	

Locks

- 7 Tubular
- 8 Mortise with deadbolt
- 9 Mortise
- 10 Exit wide, surface vertical rod
- 11 Exit wide, rim

Tubular

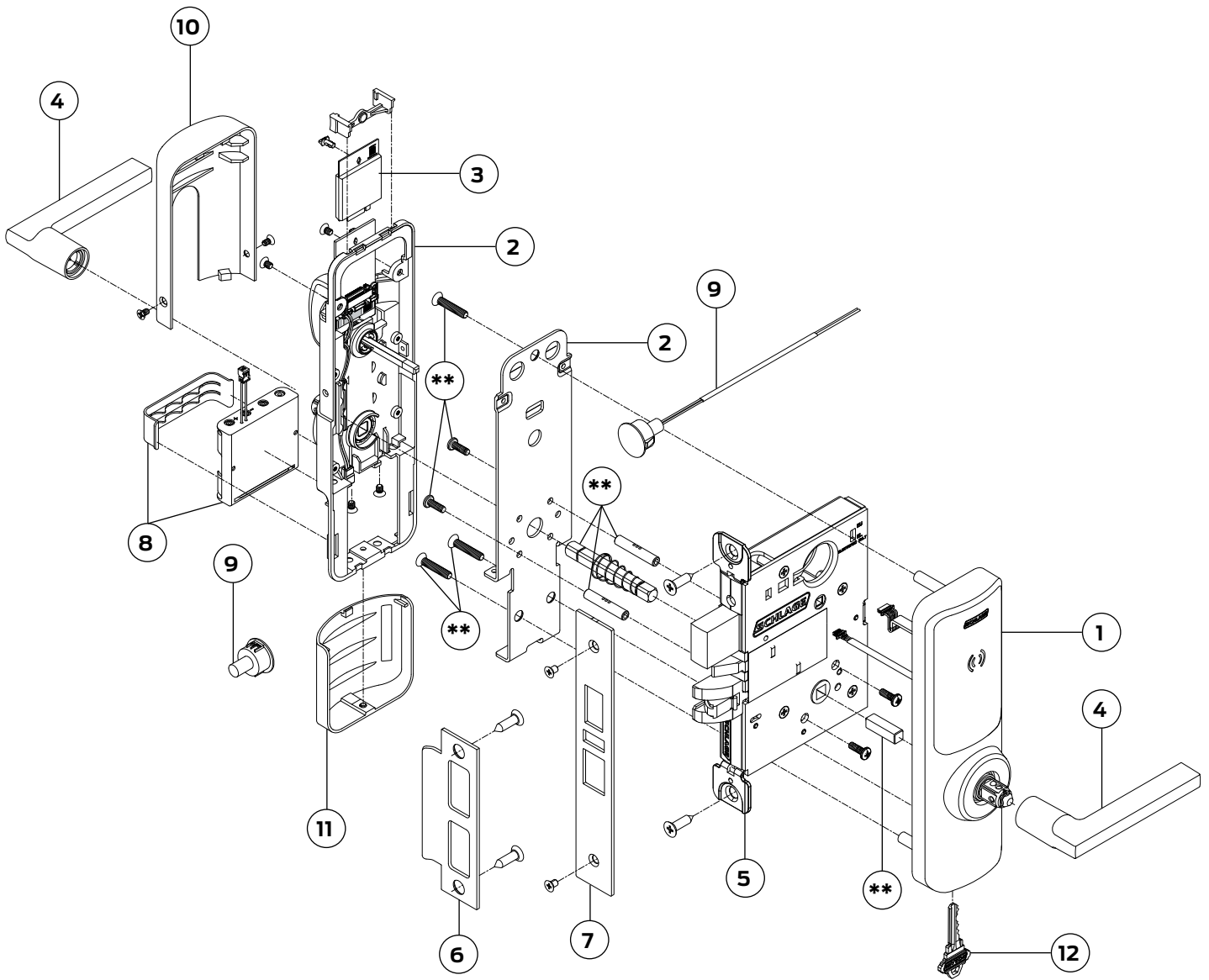


No.	Description	Part No.
8	Assembly, outside, XE360, T, M	47641620
10	Assembly, inside mortise/tubular indicator, with mounting plate (no FleX Module)	47646271
	Assembly, inside mortise/tubular IPB, with mounting plate (no FleX Module)	47646275
23	FleX Module	See page 21
7	Lever, with set screw	47600089
19	Latch, tubular, dual option, UL	47679160

No.	Description	Part No.
21	T-strike, square corner, with box, 1 1/8" x 2 3/4", 1 1/8" lip length (standard strike)	10-001
14	Battery pack, mortise/tubular with strap	47646287
4	Harness, door position sensor	47467230
17	Cover, RF, mortise/tubular, with screws	47646310
18	Cover, battery, mortise/tubular, with screws	47646312
3	Cylinder, 6-pin, with 2 keys	47371667

** Included in door thickness kits. See **Door thickness kits** on page 20 for more information.

Mortise with deadbolt

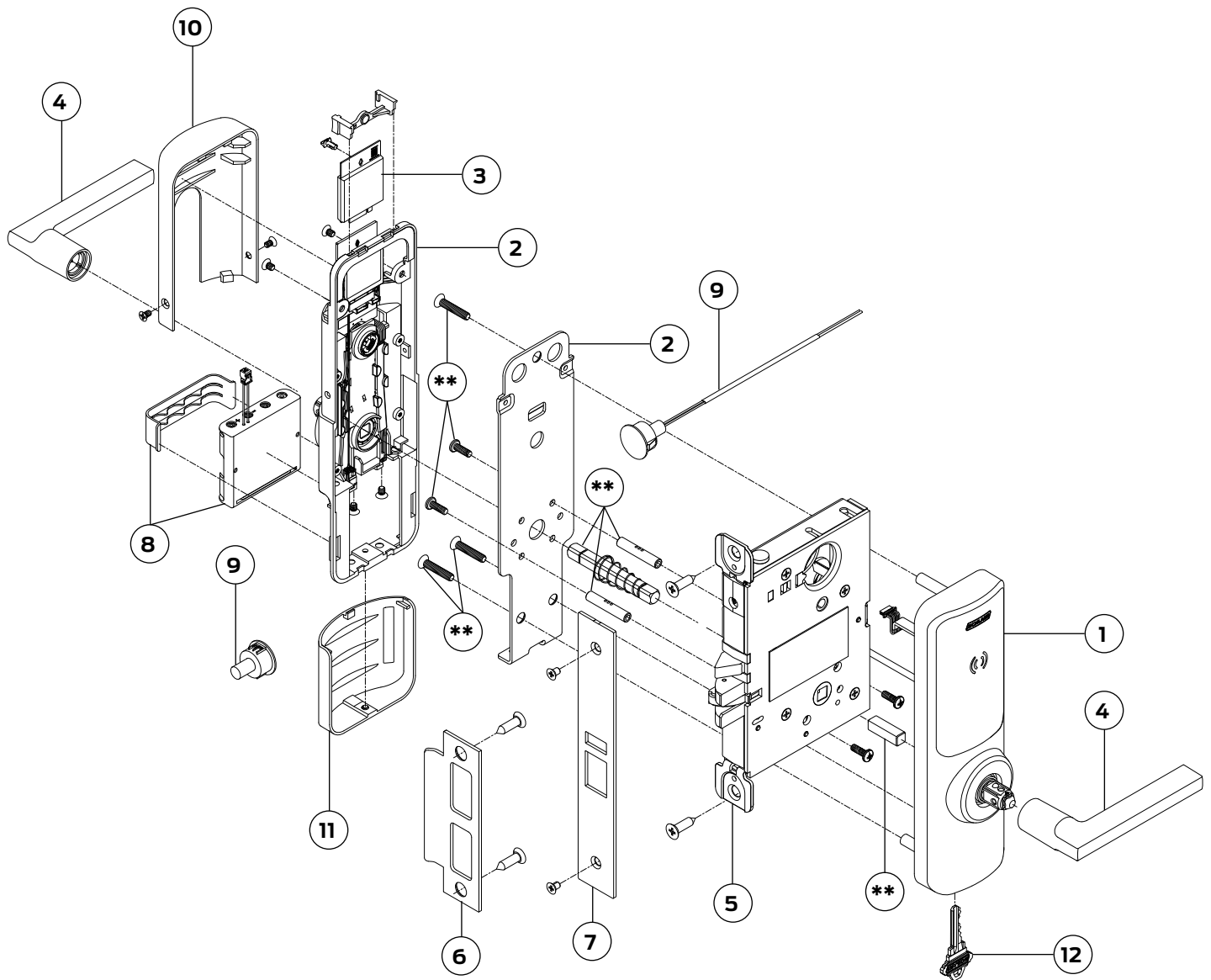


No.	Description	Part No.
1	Assembly, outside, T, M	47641620
2	Assembly, inside mortise deadbolt, with mounting plate (no FleX Module)	47646277
3	FleX Module	See page 21
4	Lever, with set screw	47600089
5	Lock Case, Deadbolt, 1 1/4" wide, with screws	23599194
6	Strike, mortise, 1 3/16" lip with screws	10-072-1316

No.	Description	Part No.
7	Armor, 1 1/4" square corner, latch x auxiliary latch x deadbolt, with screws	09-666
8	Battery pack, mortise/tubular with strap	47646287
9	Harness, door position sensor	47467230
10	Cover, RF, mortise/tubular, with screws	47646310
11	Cover, battery, mortise/tubular, with screws	47646312
12	Cylinder, 6-pin, with 2 keys	47371667

** Included in door thickness kits. See **Door thickness kits** on page 20 for more information.

Mortise

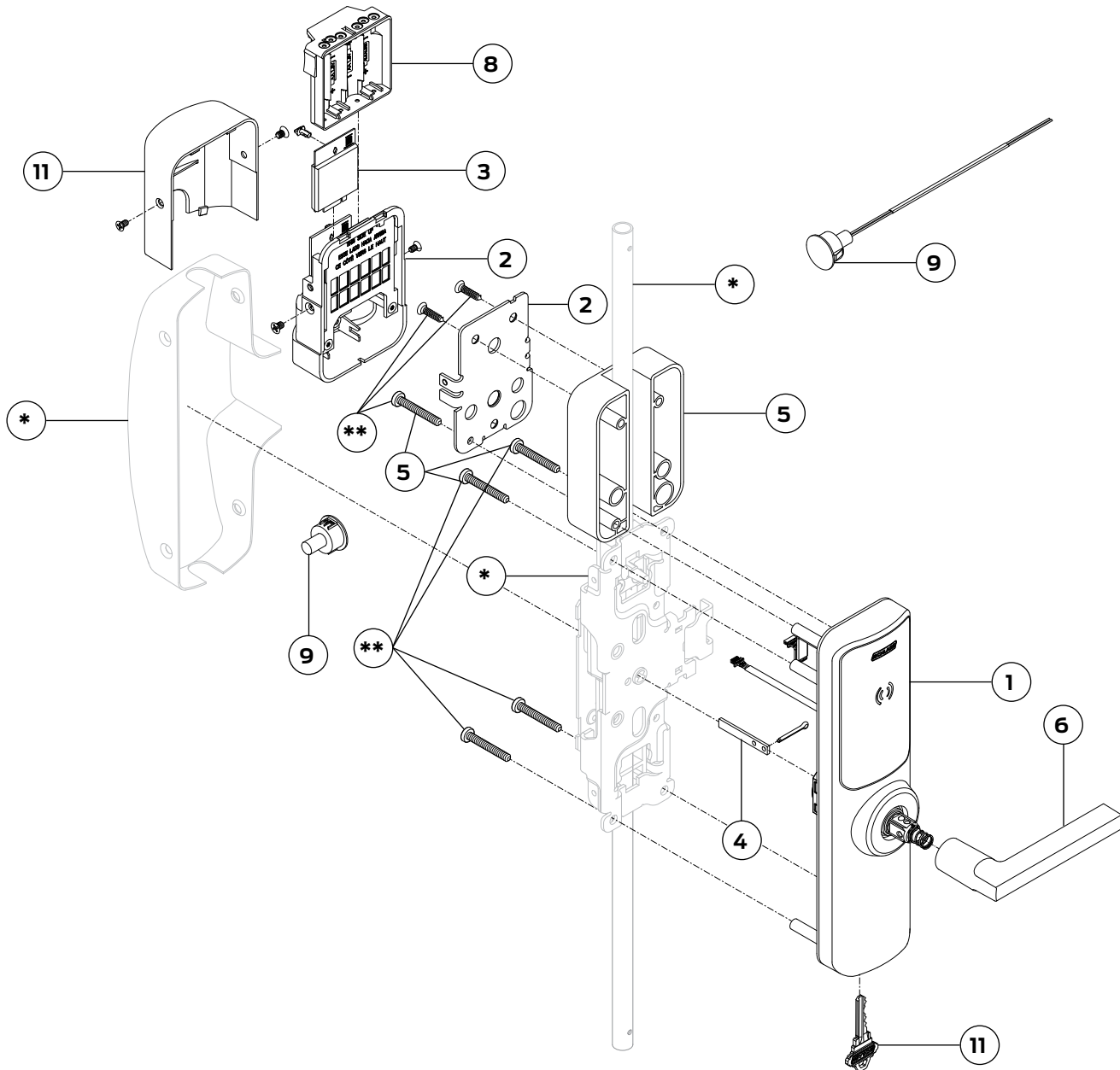


No.	Description	Part No.
1	Assembly, outside, T, M	47641620
2	Assembly, inside mortise/tubular indicator, with mounting plate (no FleX Module)	47646271
	Assembly, inside mortise/tubular IPB, with mounting plate (no FleX Module)	47646275
3	FleX Module	See page 21
4	Lever, with set screw	47600089
5	Lock case, 1 ¼" wide, with screws	46928826
6	Strike, mortise, 1 ¾" lip with screws	10-072-1316

No.	Description	Part No.
7	Armor, 1 ¼" square corner, latch x auxiliary latch, with screws	09-663
8	Battery pack, mortise/tubular with strap	47646287
9	Harness, door position sensor	47467230
10	Cover, RF, mortise/tubular, with screws	47646310
11	Cover, battery, mortise/tubular, with screws	47646312
12	Cylinder, 6-pin, with 2 keys	47371667

** Included in door thickness kits. See **Door thickness kits** on page 20 for more information.

Exit wide, surface vertical rod
 (shown with FA25, not included)



No.	Description	Part No.
1	Assembly, outside, exit	47641763
2	Assembly, exit, inside, IPB with mounting plate (no FleX Module)	47646282
	Assembly, exit, inside, indicator, with mounting plate (no FleX Module)	47646283
3	FleX Module	See page 21
4	Tailpiece kit, exit	47516801

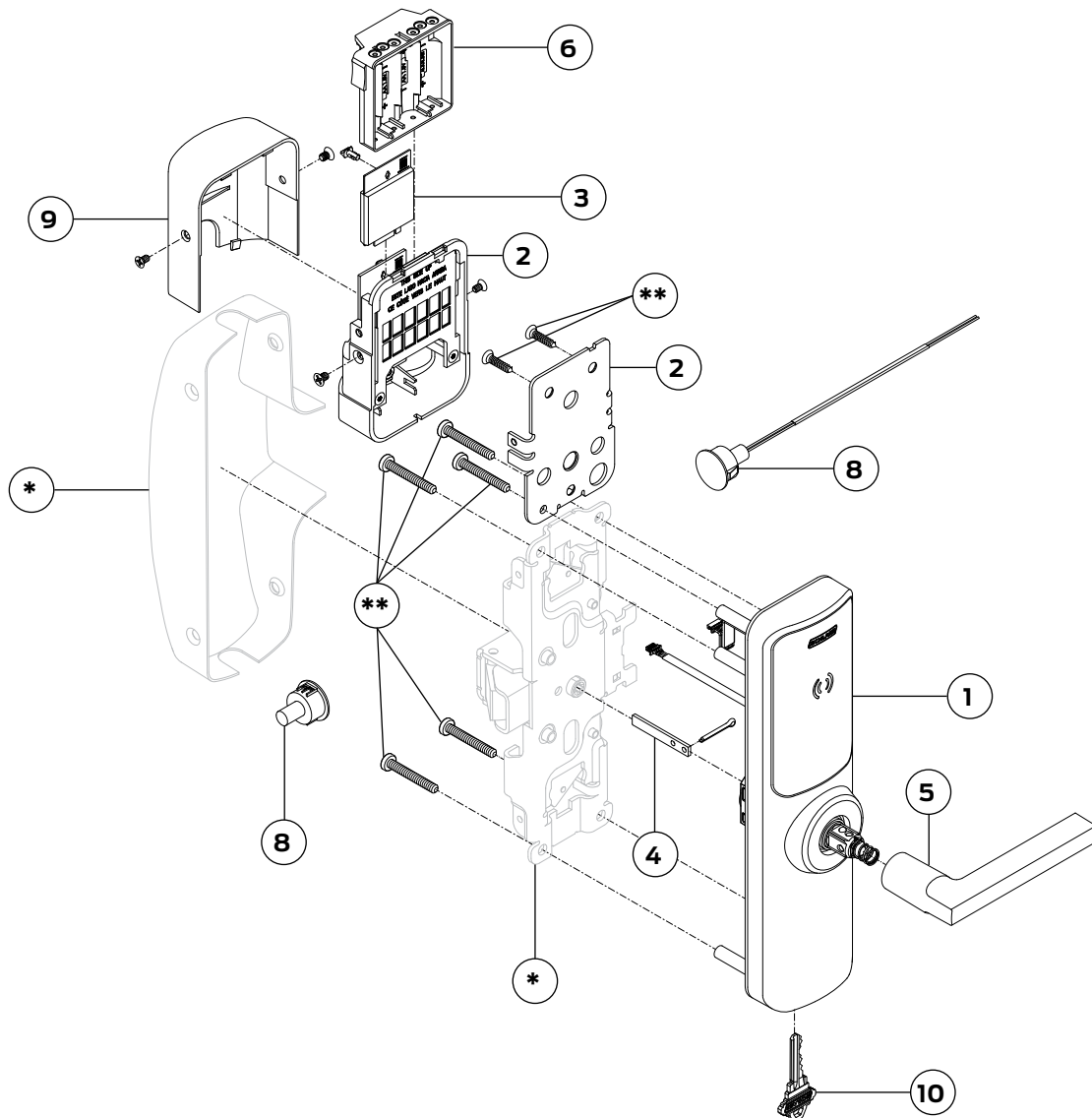
No.	Description	Part No.
5	25V/9927/2227, SVR spacer, exit, with screws	47646284
6	Lever, with set screw	47600089
7	Battery pack, exit wide	47646292
9	Harness, door position sensor	47467230
10	Cover, RF, exit, with screws	47646305
11	Cylinder, 6-pin, with 2 keys	47371667

* Not sold separately. Not included with sold-separate assembly. Included in full lock only.

** Included in door thickness kits. See **Door thickness kits** on page 20 for more information.

Locks

Exit wide, rim (shown with FA25, not included)



No.	Description	Part No.
1	Assembly, outside, exit	47641763
2	Assembly, exit, inside, IPB with mounting plate (no FleX Module)	47646282
	Assembly, exit, inside, indicator, with mounting plate (no FleX Module)	47646283
3	FleX Module	See page 21
4	Tailpiece kit, exit	47516801

No.	Description	Part No.
5	Lever, with set screw	47600089
6	Battery pack, exit wide	47646292
7	REX cable, exit	47493166
8	Harness, door position sensor	47467230
9	Cover, RF, exit, with screws	47646305
10	Cylinder, 6-pin, with 2 keys	47371667

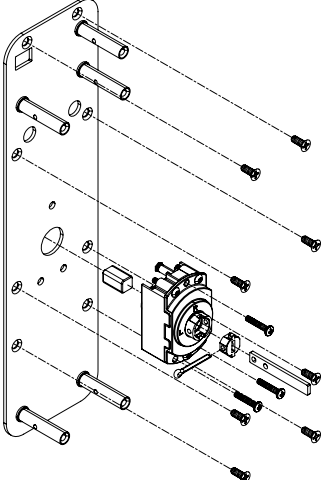
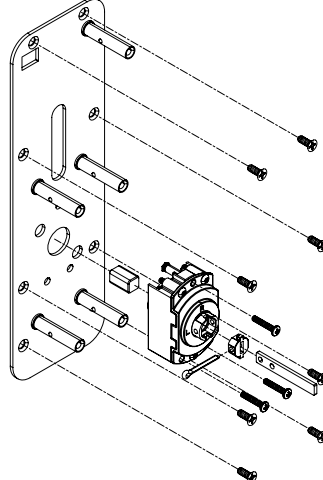
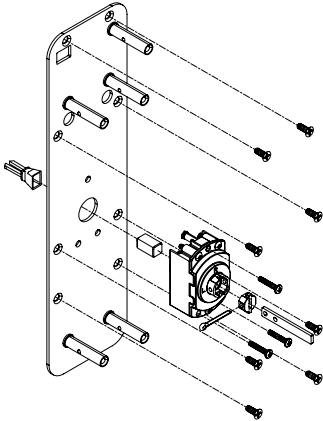
* Not sold separately. Not included with sold-separate assembly. Included in full lock only.

** Included in door thickness kits. See **Door thickness kits** on page 20 for more information.

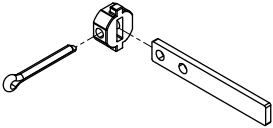
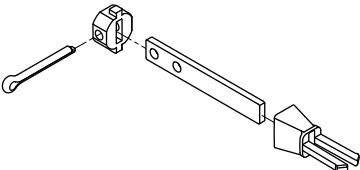
Parts and accessories

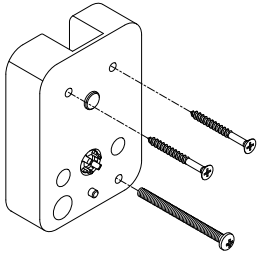
- 14 Exit kits
- 16 Levers
- 16 Latches
- 17 Battery packs
- 17 Mortise chassis and armor
- 17 Strikes
- 19 Wiring harnesses
- 19 Cylinders
- 20 Covers
- 21 Door thickness kits
- 22 FleX Module kits
- 22 Decorative plates
- 23 Condensation sealant kits
- 24 Fastener reference

Exit kits

Exit device mounting plate kit			
Part no.	47641903		
Description	Exit device mounting plate with adapter, spindle and tailpiece kit		
Notes	Specify exit device model and door thickness		
Exit device model	<p>F25R/F25S</p> 	<p>VD22R/VD22S</p> 	<p>VD99R/VD99C/VD99S</p> 
Door thickness (inches)	<p>1 3/4 - 1 7/8 2 1/2 - 2 5/8</p> <p>2 - 2 1/8 2 3/4</p> <p>2 1/4 - 2 3/8</p>	<p>1 3/4 - 1 7/8 2 1/2 - 2 5/8</p> <p>2 - 2 1/8 2 3/4</p> <p>2 1/4 - 2 3/8</p>	<p>1 3/4 2 1/8 2 1/2</p> <p>1 7/8 2 1/4 2 5/8</p> <p>2 2 3/8 2 3/4</p>
Contents	Description		Qty.
	Adaptor plate assembly, per exit device model		1
	Spindle, exit adaptor		1
	Screw, #6-32 X 3/8, FL HD, PH drive		8
	Exit tailpiece kit, F25R/F25S (See Exit tailpiece kit on page 14.)		1
	Screw, #4-40 X 5/8, Pan head, PH drive		3
	Exit adaptor		1

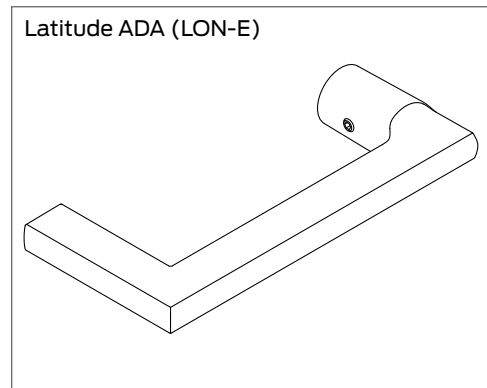
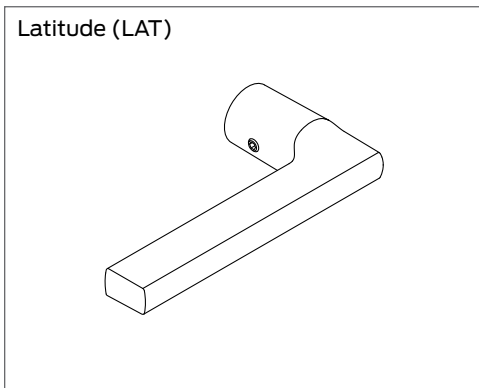
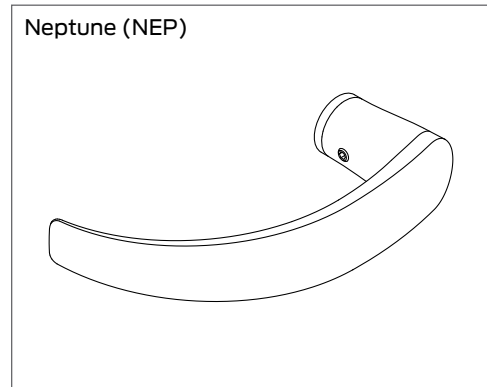
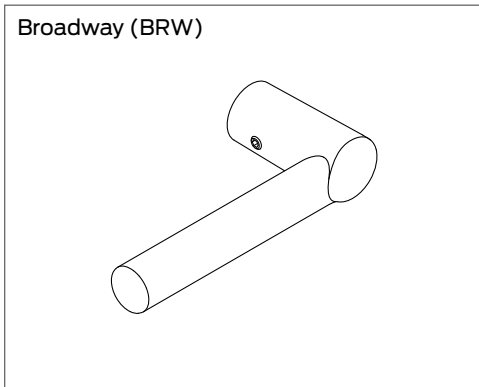
Parts and accessories

Exit tailpiece kit					Tailpiece kit	
Part no.	Description	Notes				
47516801	Exit tailpiece kit	Specify exit trim, handing, and door thickness.				
Contents						
Exit device model	Description	Handing	Door thickness (inches)	Qty.		
VD99R, VD22R	Tailpiece	all	1 3/4 - 2 1/4	1		
			2 3/8 - 2 3/4			
VD99S/99C/22S			1 3/4 - 2 3/4			
			F25R			
2 3/8 - 2 3/4						
F25V		RHR	1 3/4 - 2 1/4			
	2 3/8 - 2 3/4					
	LHR	1 3/4 - 2 1/4				
		2 3/8 - 2 3/4				
All	Exit adaptor			1		
All	Cotter Pin			1		
VD99S/99C	Taipiece Guide			1		

SVR spacer kit			Spacer
Part no.	Description	Notes	
47646284	SVR spacer, exit, with screws	Specify door thickness.	
Contents			
Description	Door thickness (inches)	Qty.	
SVR spacer	1 3/4 - 2 3/4	1	
No 8, metal screw, 1 3/4, flat head, PH drive, steel zinc plated	1 3/4 - 2 3/4	2	
No 8, wood screw, 1 3/4, flat head, PH drive, yellow zinc		2	
10-24 X 2 Phillips pan head machine screw, steel zinc plated	1 3/4 - 1 7/8	1	
10-24 X 2 1/4 Phillips pan head machine screw, steel zinc plated	2 - 2 1/8	1	
10-24 X 2 1/2 Phillips pan head machine screw, steel zinc plated	2 1/4 - 2 3/8	1	
10-24 X 2 3/4 Phillips pan head machine screw, steel zinc plated	2 1/2 - 2 5/8	1	
10-24 X 3 Phillips pan head machine screw, steel zinc plated	2 3/4	1	

Parts and accessories

Levers



Lever and set screw assembly		
Part no.	Description	Notes
47600089	Lever and set screw assembly	Specify style and finish.

Finishes	
No.	Description
619	Satin nickle
622	Matte black
626	Satin chrome

Latches

Tubular latches		
Part no.	Description	Door range
47679160	Tubular latch assembly, dual option, UL	1 ¾" (44 mm)

Battery packs



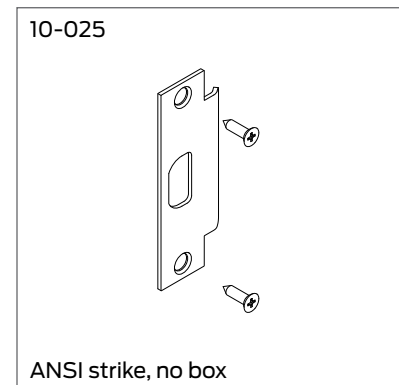
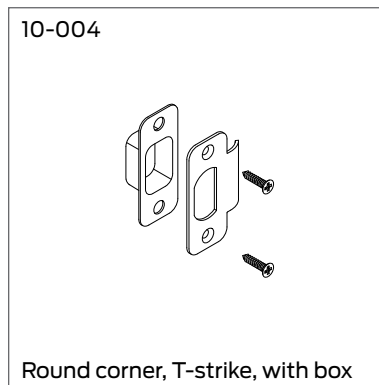
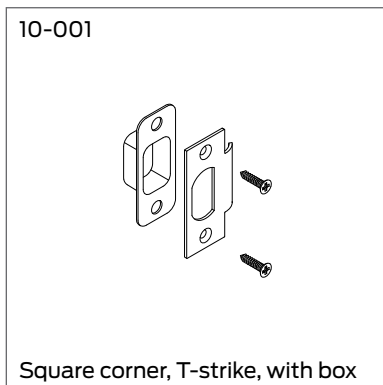
Battery Packs		
Part no.	Description	Notes
47646287	Battery pack, XE360, mortise/tubular with strap	T, M Only
47646292	Battery pack, XE360, exit wide	EW Only

Mortise chassis and armor

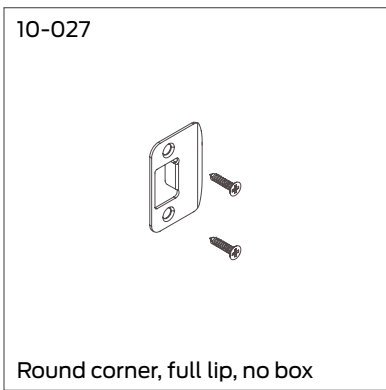
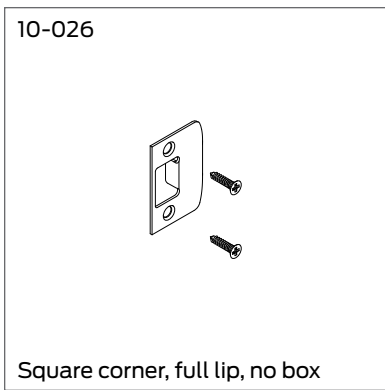
Mortise chassis	
Part no.	Description
46928826	Lock case, 1 1/4" wide, no deadbolt, with screws
23599194	Lock Case, deadbolt, 1 1/4" wide, with screws

Mortise armor			
Part no.	Description	Door range	Notes
09-663	Armor, 1 1/4" Wide Square Corner, Latch x Auxiliary latch, with screws	1 3/4" - 2 3/4"	Specify finish
09-666	Armor, 1 1/4" Wide Square Corner, Latch x Auxiliary latch x Deadbolt, with screws	1 3/4" - 2 3/4"	

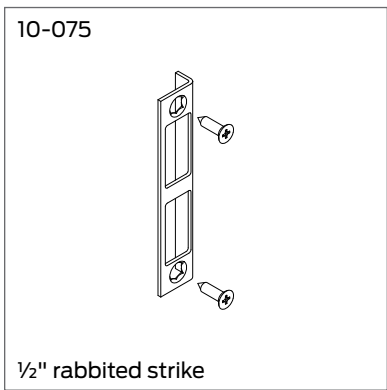
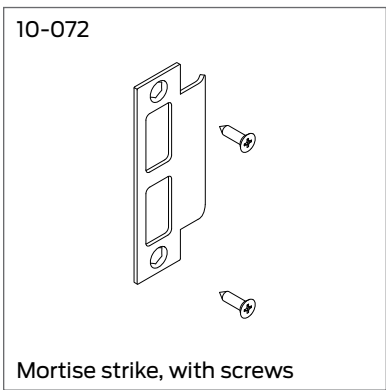
Strikes



Parts and accessories



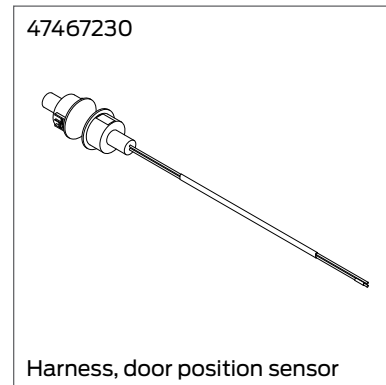
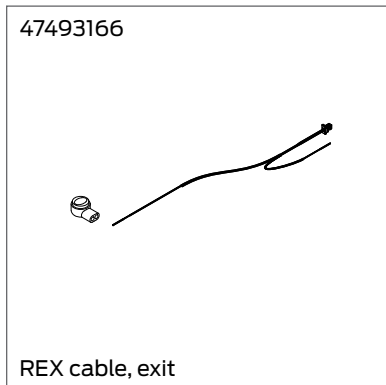
Tubular strikes			
Part no.	Description	Notes	Lip length
10-001	Square corner, T-strike, box, 1 1/8" x 2 3/4"	standard strike	1 1/8"
10-001.1	Square corner, T-strike, box, 1 1/8" x 2 3/4"	screws included	specify
10-001.1-1/4	Square corner, T-strike, box, 1 1/8" x 2 3/4"		specify
10-001.1-1/2	Square corner, T-strike, box, 1 1/8" x 2 3/4"		specify
10-001.1-3/4	Square corner, T-strike, box, 1 1/8" x 2 3/4"		specify
10-001.2	Square corner, T-strike, box, 1 1/8" x 2 3/4"		specify
10-004	Round corner (1/4" radius), T-strike, box 1 1/8" x 2 3/4"		1 1/8"
10-025.1-3/16	ANSI, no box, 1 1/4" x 4 7/8"		1 3/16"
10-025.1-3/8	ANSI, no box, 1 1/4" x 4 7/8"		1 3/8"
K510-066	Box for ANSI strike, no screws		n/a
10-026	Square corner, full lip, no box, 1 5/8" x 2 1/4"		1 1/8"
10-027	Round corner (1/4" radius), full lip, no box, 1 5/8" x 2 1/4"		1 1/8"



Parts and accessories

Mortise strikes		
Part no.	Description	Notes
10-072-1316	Mortise strike, 1 $\frac{3}{16}$ " lip with screws	Specify lip length
10-072-100	Mortise strike, 1" lip with screws	
10-072-112	Mortise strike, 1 $\frac{1}{2}$ " lip with screws	
10-072-134	Mortise strike, 1 $\frac{3}{4}$ " lip with screws	
10-072-200	Mortise strike, 2" lip with screws	
10-075	$\frac{1}{2}$ " Rabbited	

Wiring harnesses



Harnesses	
Part no.	Description
47493166	REX cable, exit
47467230	Harness, door position sensor

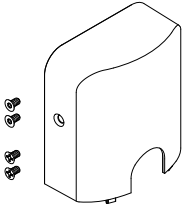
Cylinders

Cylinders		
Part no.	Description	
47371667	Assy, cylinder, 6-pin (cylinder with 2 keys)	<p>47371667</p> <p>Cylinder, 6-pin</p>

Parts and accessories

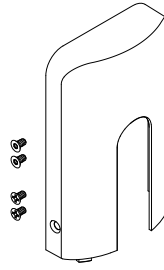
Covers

47646305



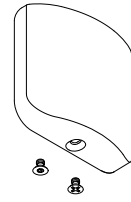
Exit RF cover with screws

47646310



Mortise/tubular RF cover with screws

47646312

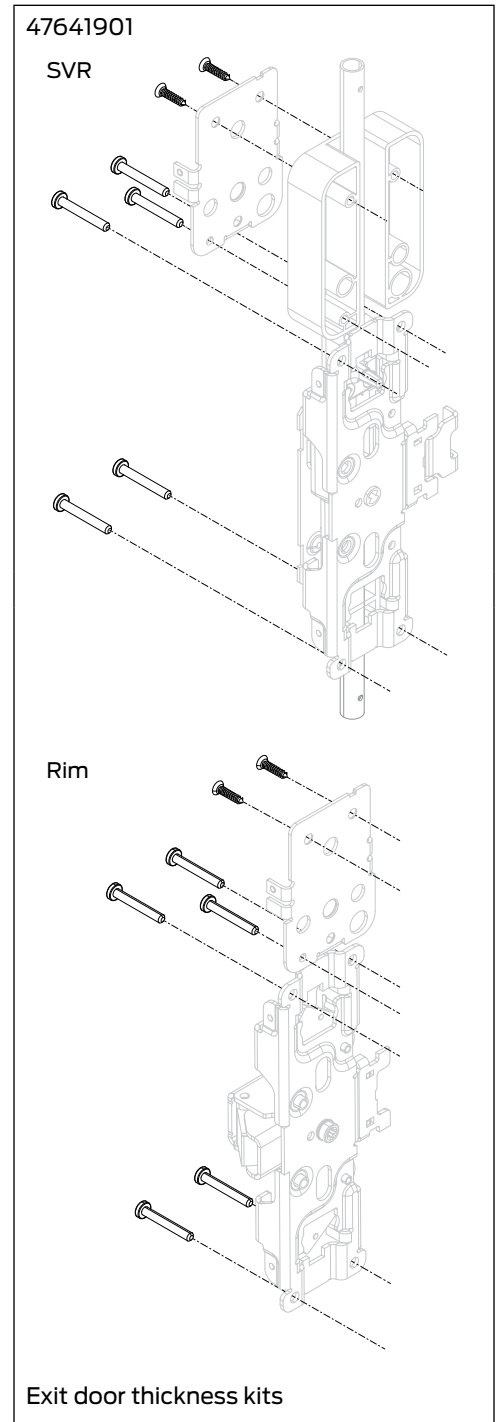
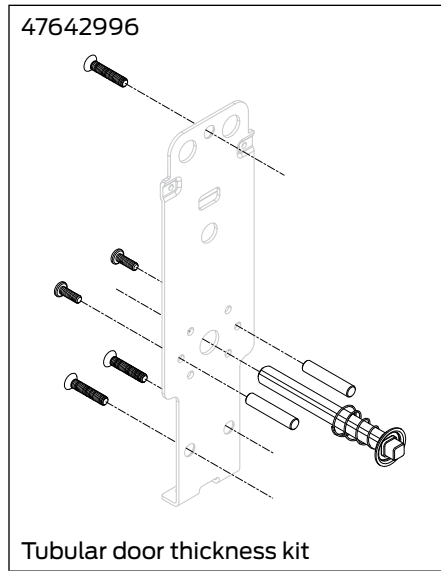
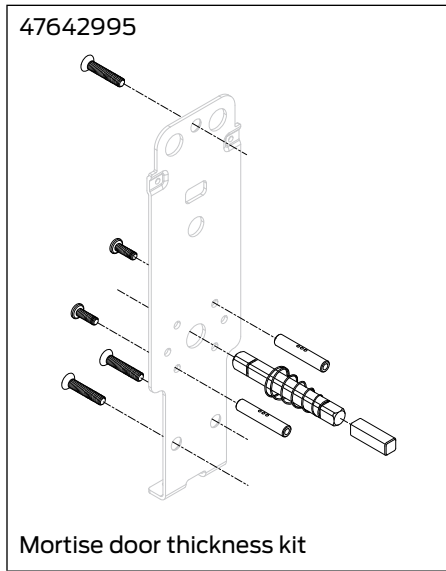


Mortise/tubular battery cover with screws

Covers

Part no.	Description
47646305	Exit RF cover with screws
47646310	Mortise/tubular RF cover with screws
47646312	Mortise/tubular battery cover with screws

Door thickness kits



Door thickness kits

1 5/8" - 1 3/4" door thickness

Specify door thickness. Baseplate not included.

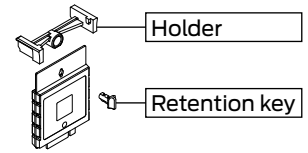
Part no.	Model	Contents	Qty
47642995	Mortise	Mortise spindle	1
		Assembly, spindle and spring, mortise	1
		Screw, #10-32, FL HD, PH drive	3
		Ferrule, lock inside	2
		Screw, #8-32, thread locking, pan HD, PH drive	2
47642996	Tubular	Assembly, spindle and spring, tubular	1
		Screw, #10-32, FL HD, PH drive	3
		Ferrule, lock inside	2
		Screw, #8-32, thread locking, pan HD, PH drive	2
47641901	Exit	10-24 PH pan HD Machine Screw, Steel Zinc Plated	5
		No 8, Combo Screw, WMS, PH	2

Parts and accessories

Flex Module kits

Flex Module kits			
Part no.	Offline (OF)	Model	With key and holder
47646313	•	indicator	•
47876541	•	button	•
47876542	•	deadbolt	•

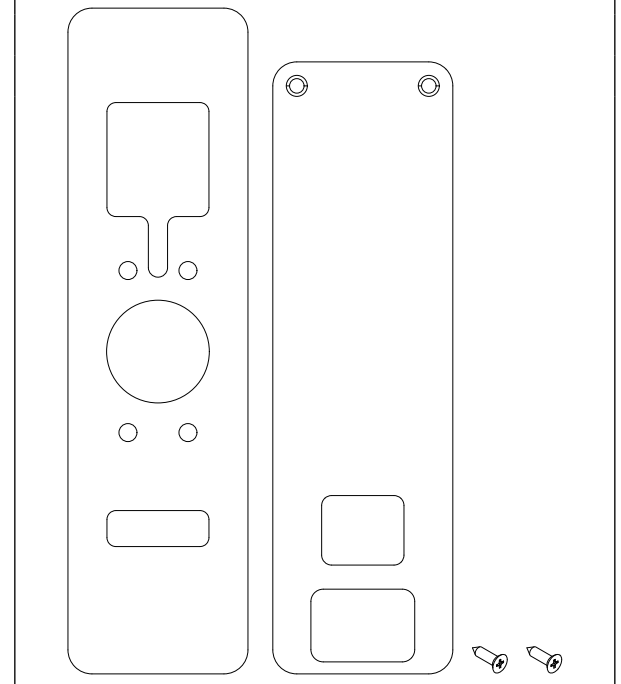
OF (offline) class with retention key and holder



Decorative plates

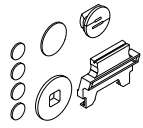

Decorative plates	
Part no.	Description
47679797	Exit device decorative plate kit

Exit device decorative plate kit



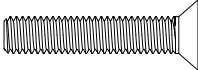
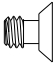
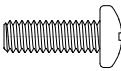
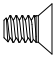
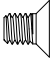
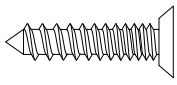
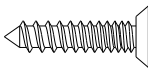
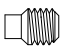
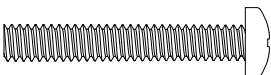
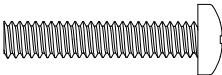

Condensation sealant kits

Descriptive text here.

Condensation sealant kits					
Part no.	Model	Contents	Qty	Mortise and tubular	Exit devices
47870663	Mortise/Tubular	PCBA Cover	1		
		Backplate Cable Plug	1		
		Backplate Spindle Plug	1		
		Deadbolt Hole Gasket	1		
		Alignment Hole Gasket	4		
47870662	Exit	PCBA Cover	1		
		Backplate Plug Exit	1		

Fastener reference

Use this table as a reference for fasteners used in locks.

Model/ Qty			Application	Description						
T	M	E		Size	Drive	Head	Threads	Material	Finsh	Length
3	3		Backplate 	10-32	Phillips	Flat	Machine	Steel	Zinc	1"
1	1		Battery cover (captive) 	8-32	Torx	Flat	Machine	Steel	Zinc	¼"
2	4		Ferrule kit 	8-32	Phillips	Pan	Machine	Steel	Zinc, thread locking patch	½"
2	2	2	RF/battery cover 	6-32	Phillips	Undercut flat	Machine	Steel	Black	¼"
2	2	2			Torx					
4	4	4	Interior assembly 	M4 x 0.7	Phillips	Flat	Machine	Steel	Zinc	6 mm
	2		Latch kit 	12/12-24	Phillips	Flat	Combo	Steel	Zinc	⅞"
2			Latch kit 	UNC-2A /8-32	Phillips	Undercut flat	Combo	Steel	Zinc	¾"
		1	Backplate kit (25R, 99R, 99C, 22R)							
1	1	1	Lever 	10-32	Hex		Machine	Steel	Black, thread locking patch	⅞"
		4	Mounting kit (99R, 99C, 22R, 99S, 22S) 	10-24	Phillips	Pan	Machine	Steel	Zinc	1 ¼"
		4	Mounting kit (25R, 25S) 	10-24	Phillips	Pan	Machine	Steel	Zinc	1"
		3	Plate adaptor 	4-40	Phillips	Pan	Machine	Steel	Zinc	⅝"

About Allegion™

Allegion (NYSE: ALLE) is a global pioneer in seamless access, with leading brands like CISA®, Interflex®, LCN®, Schlage®, SimonsVoss® and Von Duprin®. Focusing on security around the door and adjacent areas, Allegion secures people and assets with a range of solutions for homes, businesses, schools and institutions.

For more, visit www.allegion.com.

KRYPTONITE ■ LCN ■  ■ STEELCRAFT ■ VON DUPRIN