



931028-00

For 8827 Vertical Rod and 88 Rim Devices, for Stock Hollow Metal Application

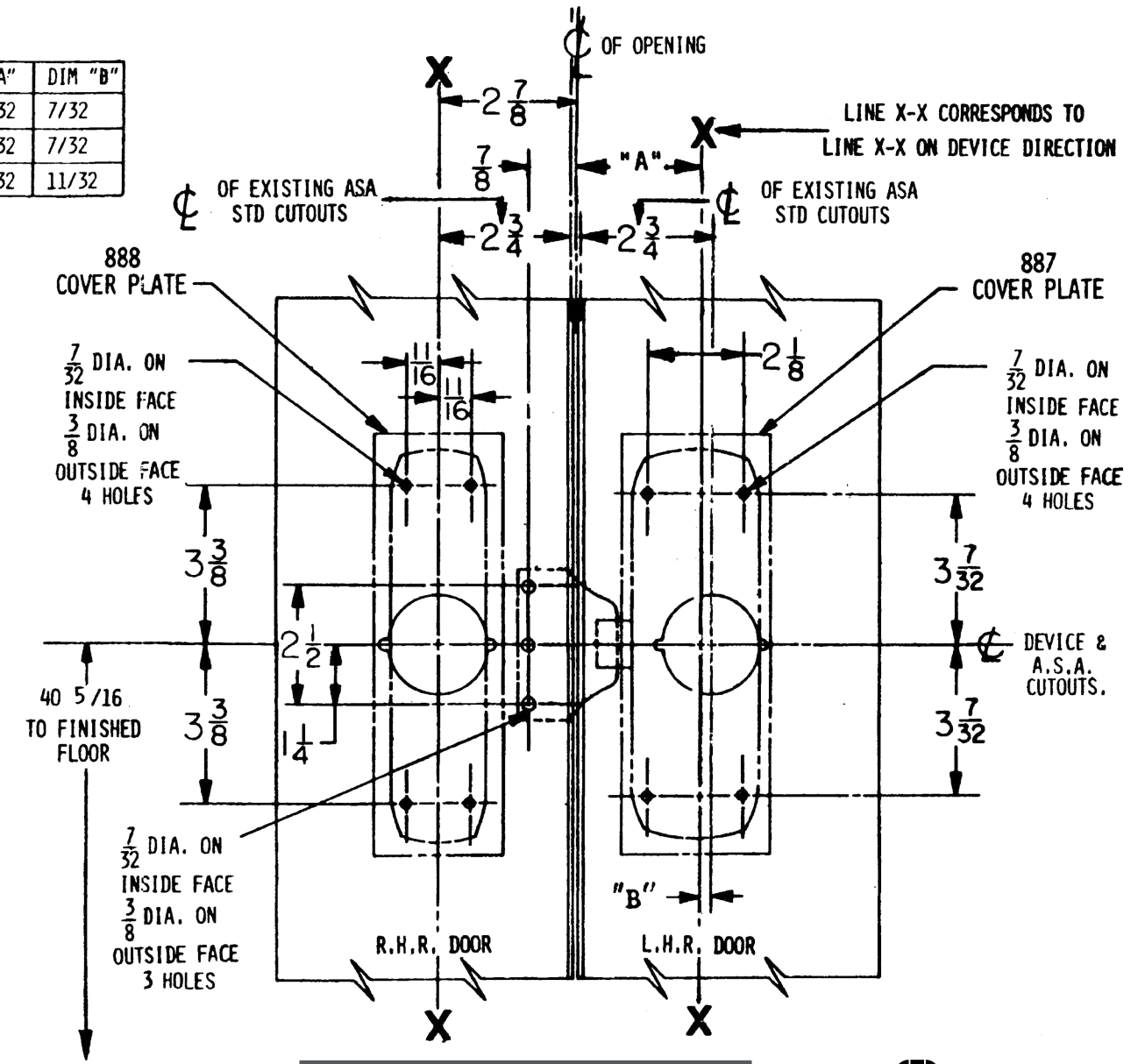
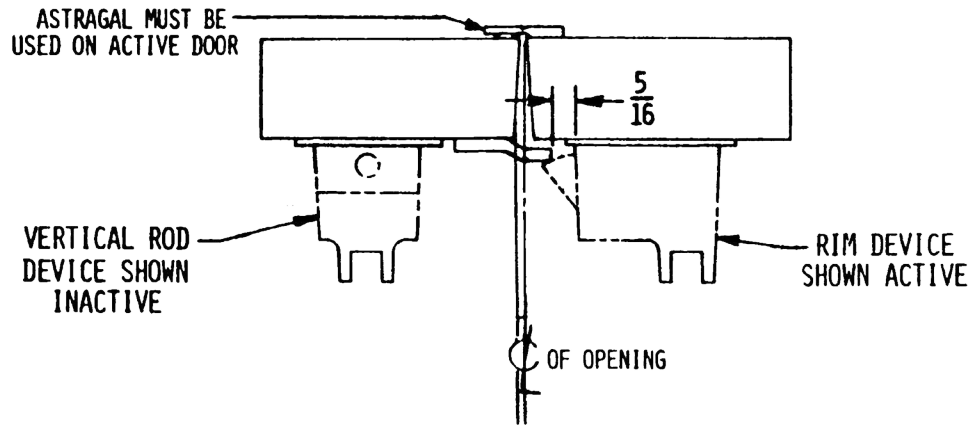
1610 J Strike

VON DUPRIN

Installation Instructions

1. PREPARE DOOR FOR STRIKE.
 - A. BORE HOLES AS INDICATED ON DIRECTION.
2. APPLY STRIKE.
3. PREPARE ACTIVE DOOR FOR RIM DEVICE.
 - A. SEE DIRECTIONS IN DEVICE CARTON.
 - B. BE SURE LINE "X-X" IS LOCATED AS SHOWN ON DIRECTION.
4. APPLY RIM DEVICE.
5. ADJUST STRIKE.
6. PREPARE DOOR AND APPLY VERT. ROD DEVICE.
 - A. SEE DIRECTIONS IN DEVICE CARTON.

DEVICE	DIM "A"	DIM "B"
88 NL	2 21/32	7/32
88 TP	2 21/32	7/32
88 K	2 17/32	11/32



TYPE 161 STOCK HOLLOW METAL DOOR

Customer Service
1-877-671-7011 www.allegion.com/us



© Allegion 2014
Printed in U.S.A.
931028-00 Rev. 01/14-b