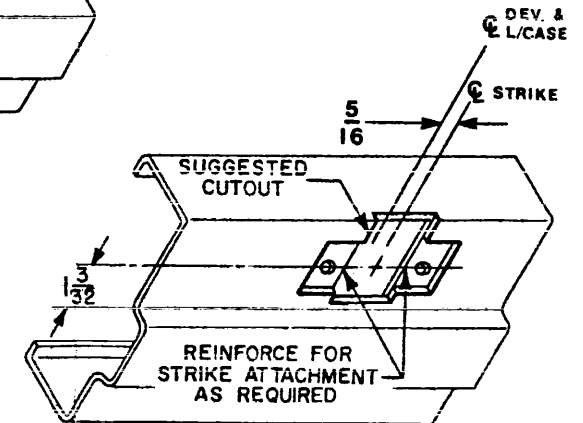
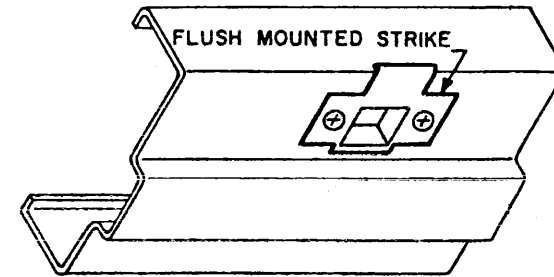
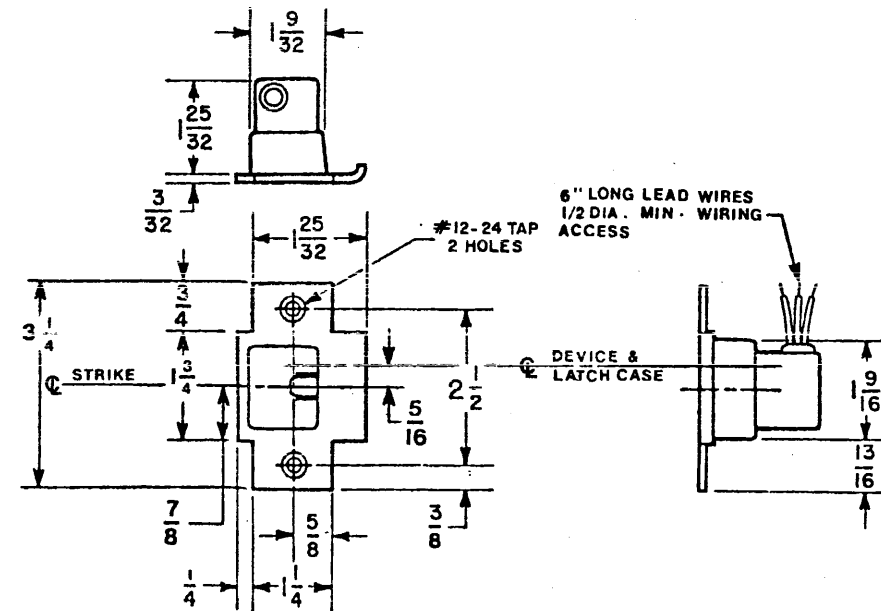


### INSTALLATION INSTRUCTIONS

1. FOR LOCK OR DEVICE PREPARATION SEE DIRECTIONS THAT ACCOMPANY THEM.
2. PREPARE FRAME FOR MONITOR STRIKE AS SHOWN.
3. WIRE AND INSTALL STRIKE.
  - A. CONNECT WIRES FROM STRIKE TO LEAD WIRES (PER CORRECT WIRING DIAGRAM ON REVERSE SIDE OF THIS SHEET).
  - B. SECURE STRIKE TO DOOR USING THE (?) #12-24 SCREWS IN THE MOUNTING HARDWARE PACKAGE.
4. CHECK OPERATION OF MONITOR STRIKE.



APPLICATION SCHEDULE		
DEVICE	MIN. BACKSET	MIN. STILE
5547	1 15/16	2 11/16
8527	1 15/16	2 15/16



**Customer Service**  
1-877-671-7011 www.allegion.com/us

FOR CUTOUTS ON INSIDE FACE OF DOOR  
SEE DIRECTIONS IN DEVICE CARTON.



ALLEGION  
© Allegion 2015  
Printed in U.S.A.  
931208-00 Rev. 06/15-b

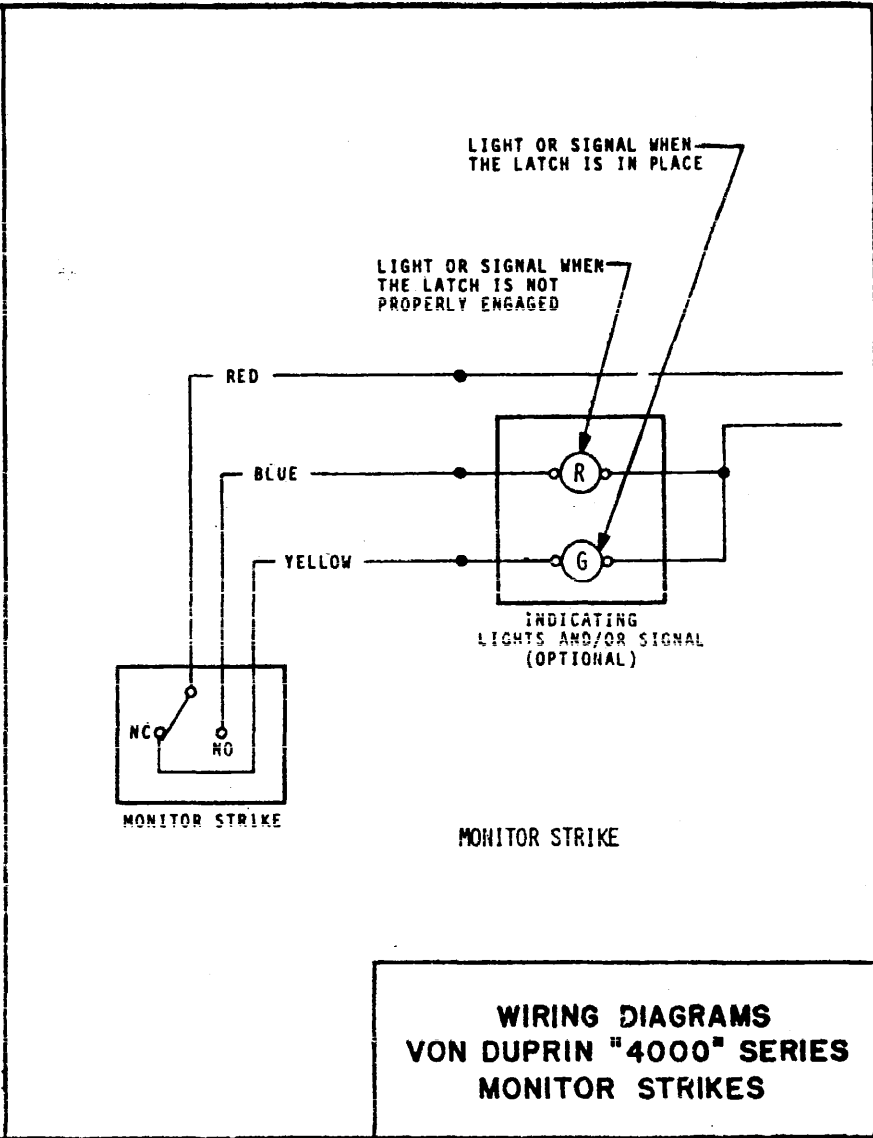
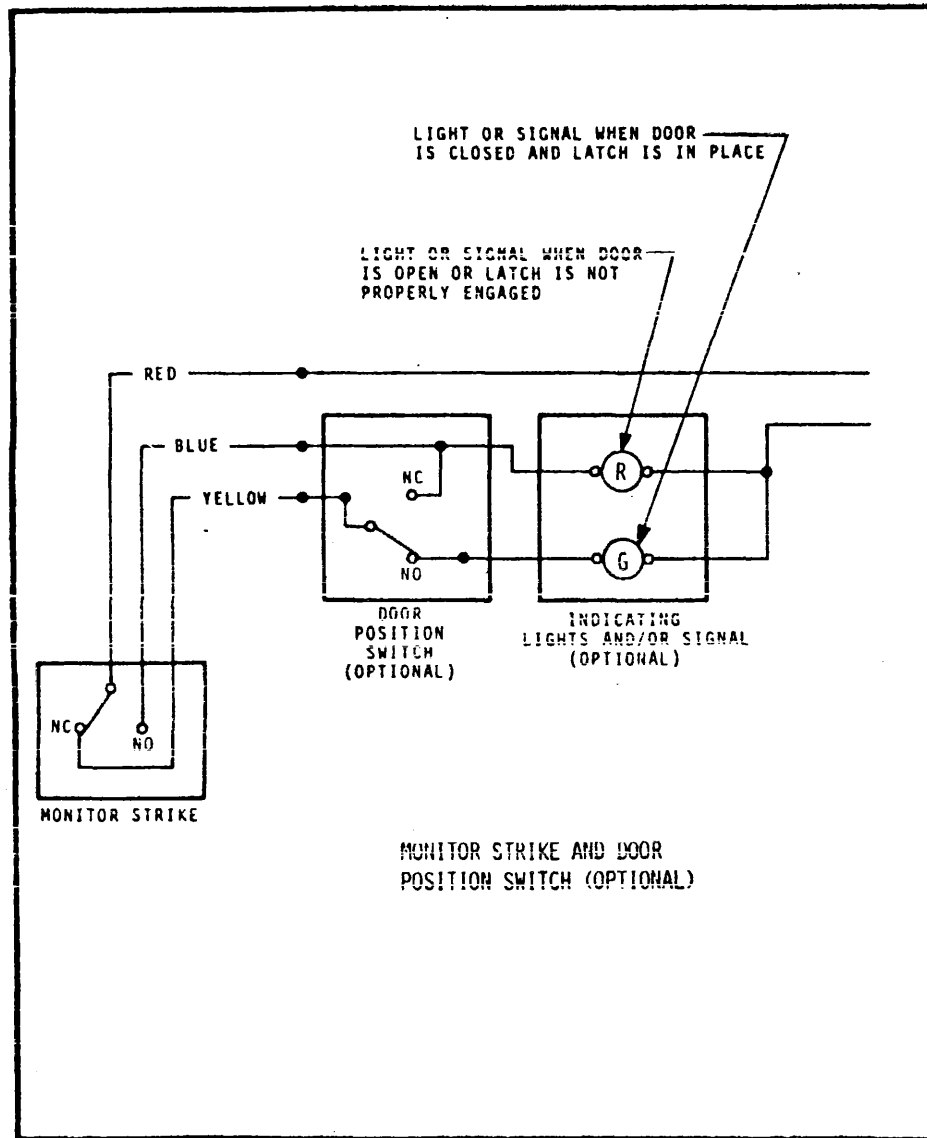
DESCRIPTION:

**4690 MONITOR STRIKE FOR 5547**

**VON DUPRIN®**

DIRECTION NUMBER: **931208-00**

DATE **9-8-89**



**WIRING DIAGRAMS  
VON DUPRIN "4000" SERIES  
MONITOR STRIKES**



**VON DUPRIN®**