



941335-00

# 6000 Series Electric Strike

# VON DUPRIN®

FS/FSE Conversion

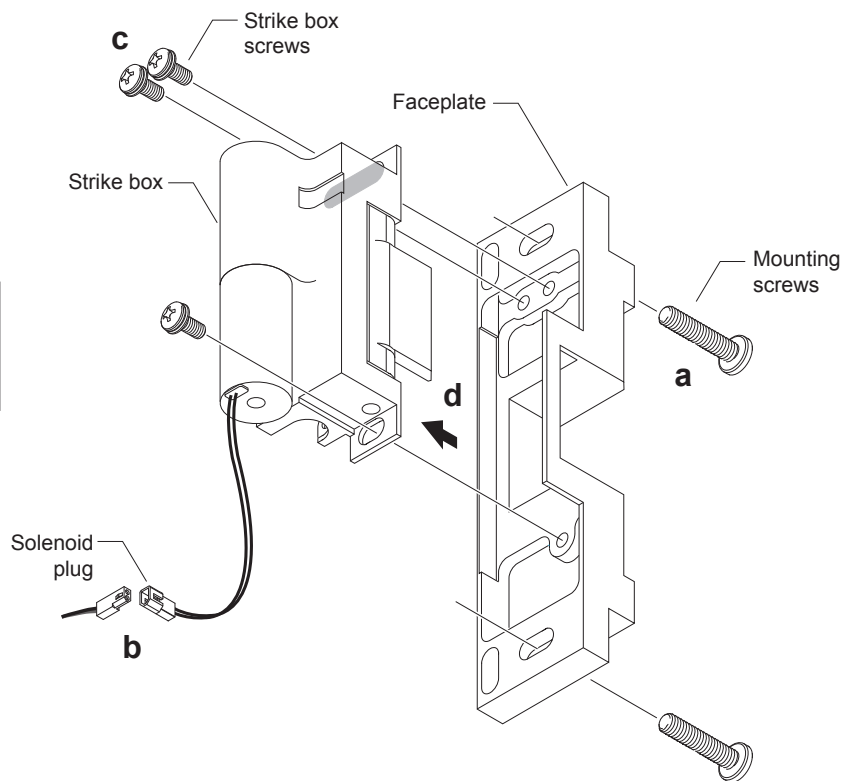
Installation Instructions

**WARNING** The conversion or modification of the 6000 series electric strikes invalidates the UL fire listings and requires removal of the UL fire label.

## 1 Remove strike and strike box.

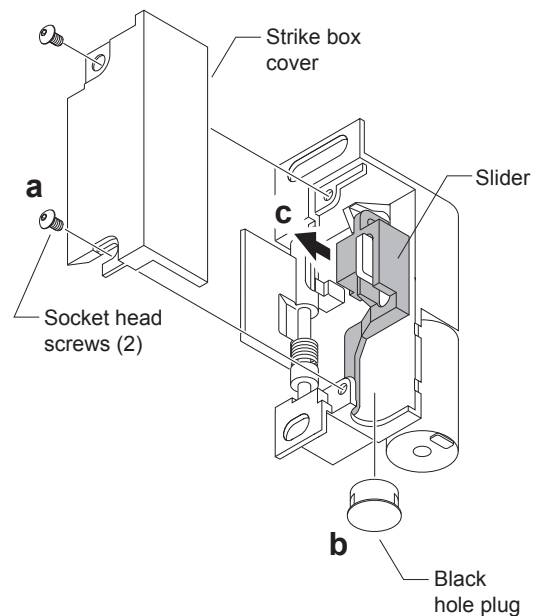
- a. Remove strike mounting screws and remove strike assembly from frame.
- b. Unplug solenoid.
- c. Remove strike box screws using Phillips screwdriver.
- d. Remove strike box from faceplate.

Configuration of faceplate and strike box may vary from illustration (6111 strike shown)

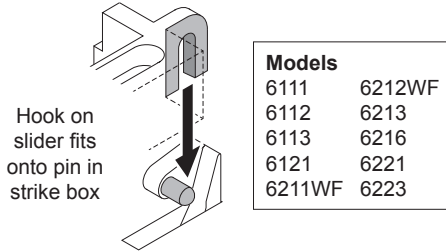


## 2 Remove strike box cover, plug, and slider.

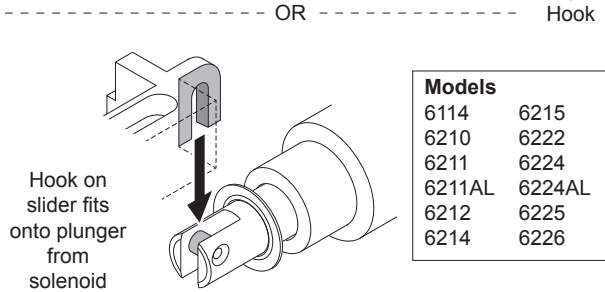
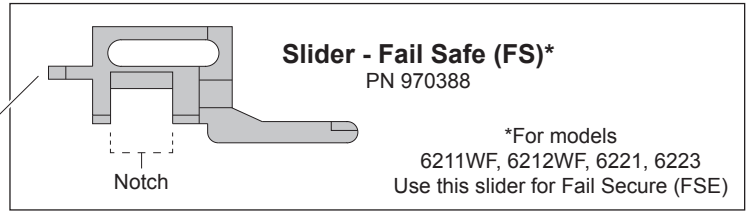
- a. Using 5/64" hex wrench, remove two socket head screws and remove strike box cover.
- b. Remove black hole plug.
- c. Once strike is apart, slider will lift out of strike box.



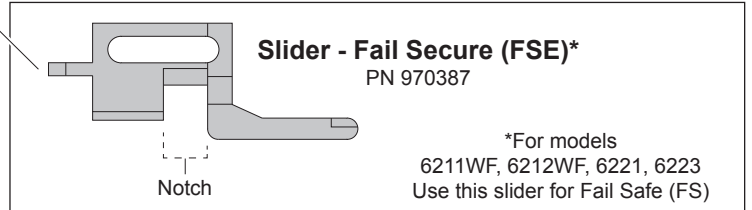
### 3 Replace with new slider.



Models	
6111	6212WF
6112	6213
6113	6216
6121	6221
6211WF	6223

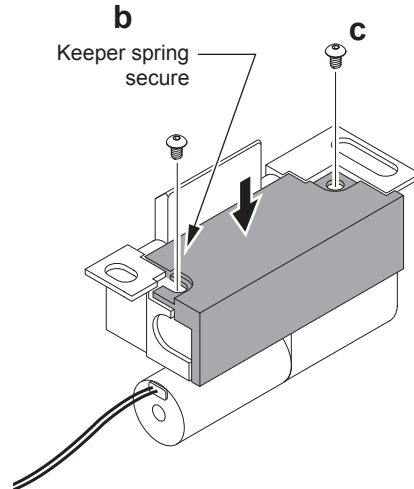
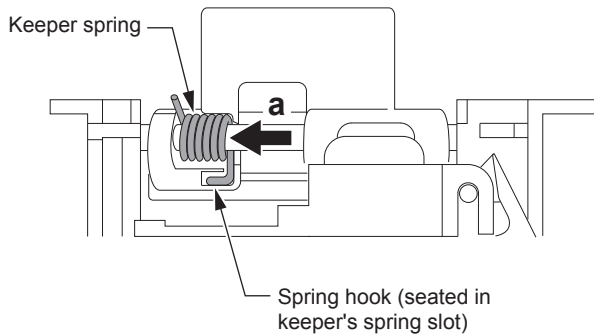


Models	
6114	6215
6210	6222
6211	6224
6211AL	6224AL
6212	6225
6214	6226



### 4 Reassemble strike.

- Place keeper spring as far left as possible and verify that spring's hook is seated in keeper's spring slot.
- Secure strike box cover onto box, ensuring that the keeper spring does not move out of position.
- Use 5/64" hex wrench to fully tighten the two socket head strike box cover screws.



- Replace black hole plug.

**⚠️ Rotate strike lip by hand and verify that it opens and returns fully without binding. (Fail secure strikes must be energized.)**

- Reinstall box into faceplate.
- Plug in solenoid.
- Reinstall strike into door frame and secure with mounting screws.

#### ⚠️ WARNING

The conversion or modification of the 6000 series electric strikes invalidates the UL fire listings and requires removal of the UL fire label.

#### ⚠️ WARNING

When using the electric strike in fail-secure mode, the local authority having jurisdiction shall be consulted to assure compliance in allowing emergency exit from the secured area.