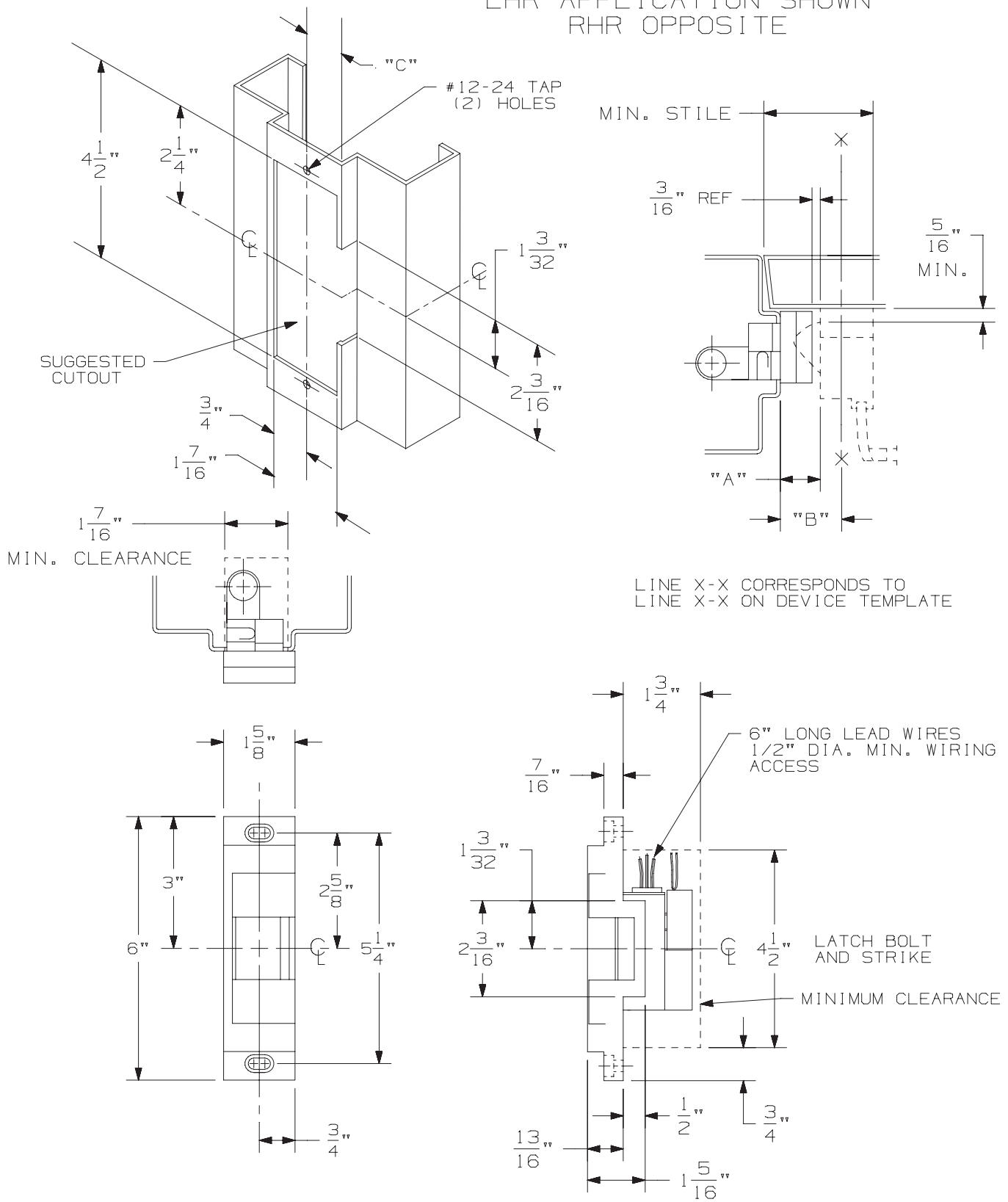


LHR APPLICATION SHOWN
RHR OPPOSITE



SEE SHEET #2 FOR APPLICATION SCHEDULE

REPLACES 3031 STRIKE

6111 Electric Strike Rim -
Single Door Application

VON DUPRIN

NOTES: SEE MASTER SHEET #10001 FOR SUGGESTED REINFORCING

TEMPLATE NUMBER: 30219_c Sht 1

DATE: 05-28-13

6111 ELECTRIC STRIKE
SINGLE DOOR APPLICATION
RIM APPLICATION SCHEDULE
(PANIC & FIRE DEVICES)

PRODUCT MANUFACTURER	PRODUCT APPLICATION	DIM "A"	DIM "B"	DIM "C"
VON DUPRIN	22 RIM	----	2 7/16"	3/4"
VON DUPRIN	33/35 RIM EO/DT/NL/TP	----	1 13/32"	3/4"
VON DUPRIN	44 RIM EO/DT/NL/TP	----	2 1/2"	3/4"
VON DUPRIN	44 RIM K	----	2 3/8"	3/4"
VON DUPRIN	88 RIM EO/DT/NL/TP	----	2 1/2"	3/4"
VON DUPRIN	88 RIM K	----	2 3/8"	3/4"
VON DUPRIN	98/99 RIM	----	2 7/16"	3/4"
VON DUPRIN	33A/35A RIM	----	1 15/32"	3/4"
MAGNOCHROM	RIM	1 1/16"	----	3/4"
MONARCH	11-R RIM	1"	----	3/4"
Ⓑ MONARCH	XX-R RIM	1 1/16"		3/4"
Ⓑ MONARCH *	18-R, F-18-R RIM	1 1/16"		7/8"
MONARCH *	19-R, F-19-R RIM	1 1/16"	----	3/4"
PRECISION **	1100 RIM	1"	----	1"
PRECISION	810 RIM	1"	----	3/4"
RUSSWIN	372, 472, 572 RIM	1"	----	3/4"
SARGENT	2800, 6500, 9898 RIM	1 1/16"	----	3/4"
SARGENT **	9800 RIM	1 1/16"	----	3/4"
SARGENT	9500 RIM	1"	----	3/4"
SARGENT	6800, 8500, 8800 RIM	1 1/8"	----	3/4"
YALE	1500 RIM	1"	----	11/16"
Ⓑ FALCON	25 RIM			13/16"

NOTES:
* NO DEADLATCHING
** PANIC DEVICES ONLY

REPLACES;
VON DUPRIN 3031 ELECTRIC STRIKE

**6111 Electric Strike Rim
Single Door Application**

VON DUPRIN®

NOTES: SEE MASTER SHEET #10001 FOR SUGGESTED REINFORCING

TEMPLATE NUMBER: **30219_c Sht 2**

DATE: **05-28-13**