



47981500

75 Series

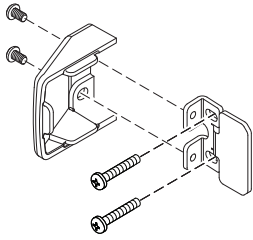
VON DUPRIN®

Rim Exit Device

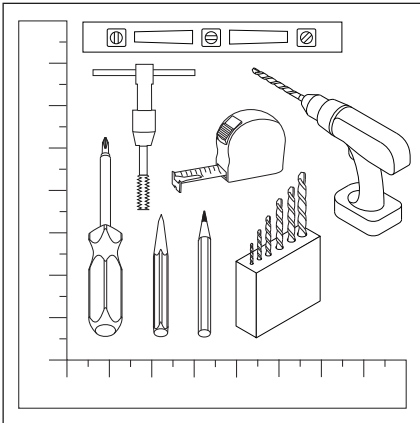
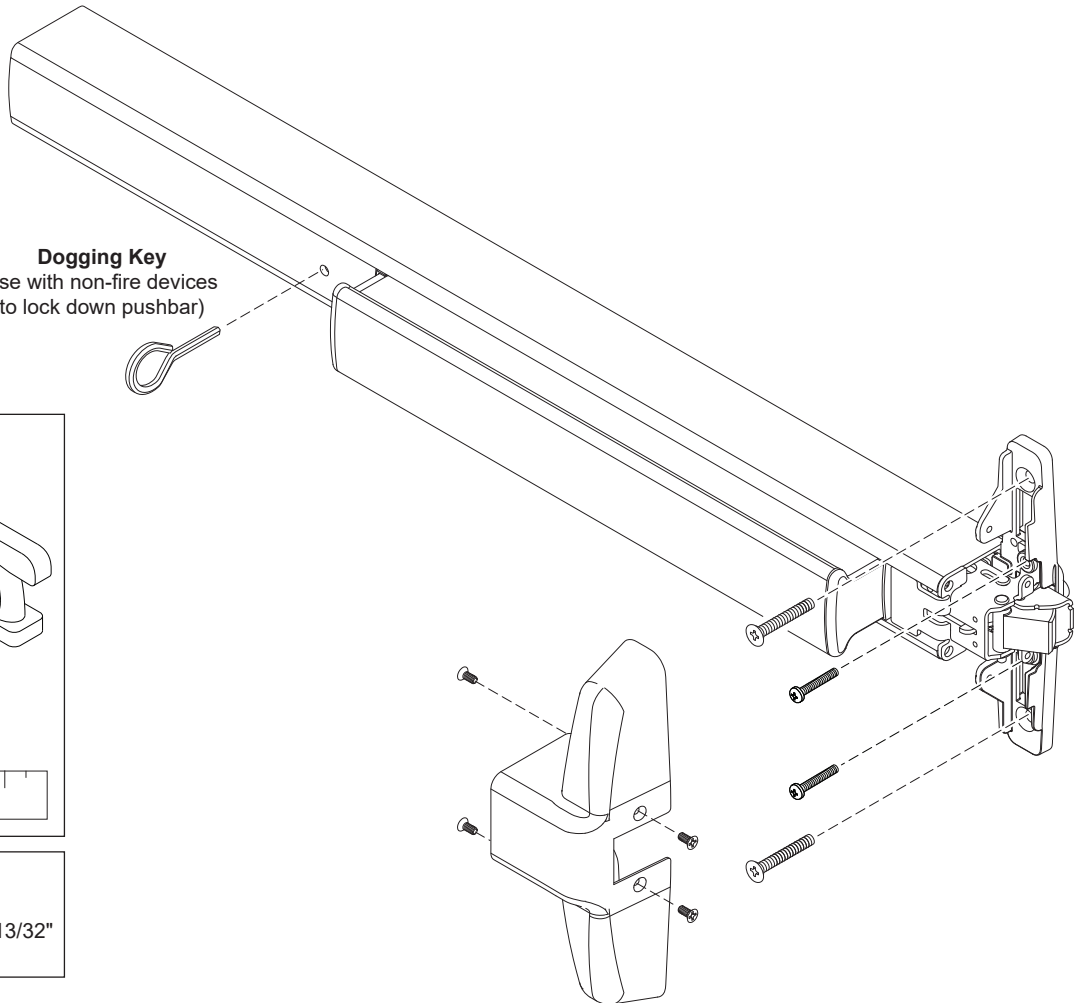
Installation Instructions

Devices covered by these instructions:

- 75 Rim Exit Device
- 75-F Rim Exit Device
- CD75 Rim Exit Device
- QEL75/-F Rim Exit Device



Dogging Key
(use with non-fire devices
to lock down pushbar)



Special tools needed:
 #10-24 and 1/4"-20 tap
 Drill bits: #7, #25, 1/8", 1/4", 5/16", 13/32", 1/2"

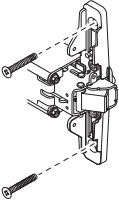
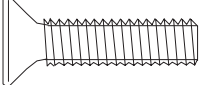
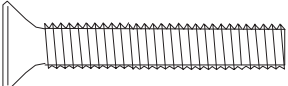
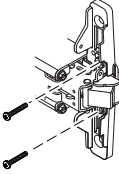
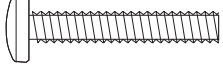
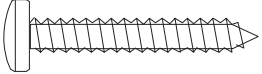
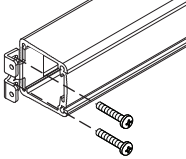
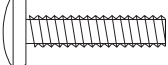
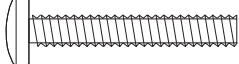
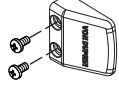
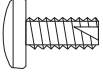
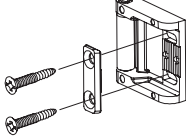

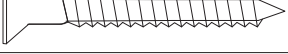
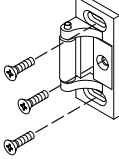
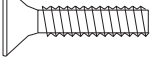
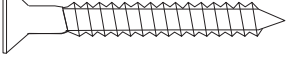
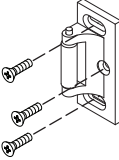
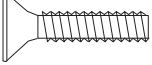
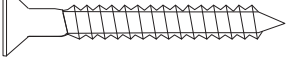
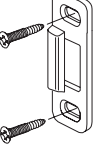
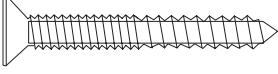
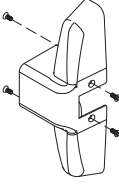
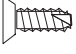



Customer Service
 1-877-671-7011 www.allegion.com/us

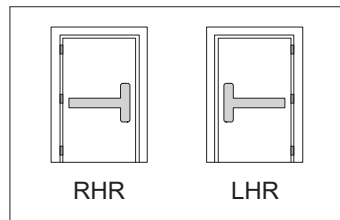
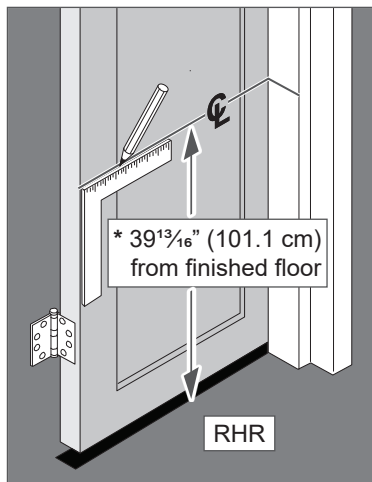
© Allegion 2024
 Printed in U.S.A.
 47981500 Rev. 04/24-a

This page intentionally blank.

SCREW CHART

Device Subassembly	Screw		Application
A 	 	1/4-20 x 1" (25 mm) 1/4-20 x 1-1/2" (38 mm)	Trim mount or sex bolts: 1 3/4" (44 mm) door 2 1/4" (57 mm) door
B 	 	#10-24 x 1" (25 mm) #10 x 1 1/4" (32 mm) Wood screw	Metal door surface mount (Yellow) Wood door surface mount
C 	 	#10-24 x 3/4" (19 mm) #10-24 x 1 1/8" (29 mm)	Surface mount or Sex bolts 1 3/4" (44 mm) door Sex bolts, 2 1/4" (57 mm) door
D 		#10-16 x 3/8" (10 mm) Thread cutting	End cap
E 	 	#10-24 x 3/4" (19 mm) #10 x 1 1/2" (38 mm) Wood screw	Metal frame Wood frame
F 	 	#10-24 x 3/4" (19 mm) #10 x 1 1/2" (38 mm) Wood screw	Metal frame Wood frame
G 	 	#10-24 x 3/4" (19 mm) #10 x 1 1/2" (38 mm) Wood screw	Metal frame Wood frame
H 		#10-12 x 10-24 x 1 1/4" (32 mm) combination	Metal or wood frame
I 		#8-18 x 3/8" (10 mm) Thread cutting	Center case cover
		#8-32 x 3/8" (10 mm) Machine thread	Center case cover (75-F devices only)

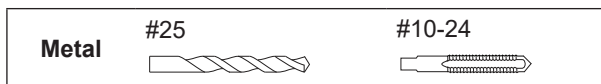
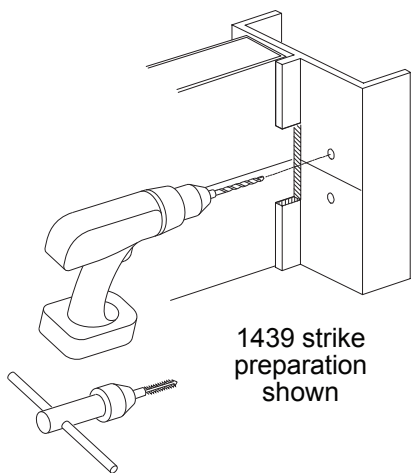
1 Draw horizontal device and strike center lines (☉).



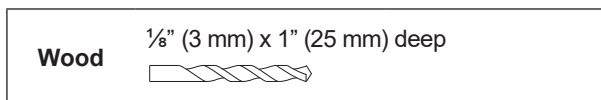
* For double doors with a mullion and strike already installed, use existing strike center line.

2 Prepare frame for strike using paper templates.

i See pages 9 and 10 for strike templates and frame preparation dimensions.



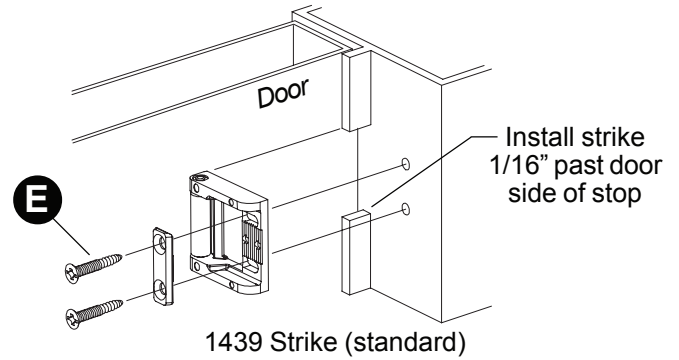
OR



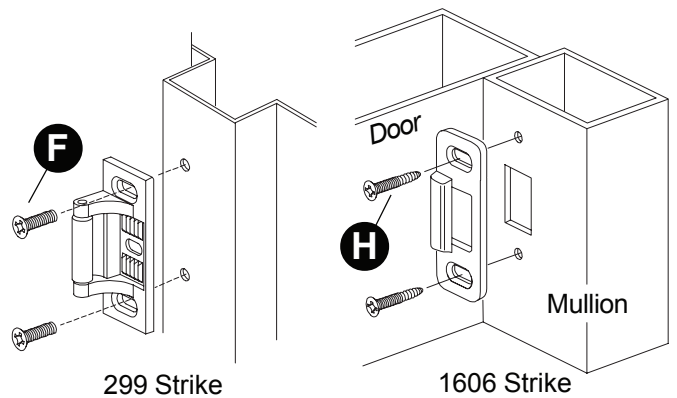
i See "Screw Chart" on previous page for screw types and sizes.

3 Install strike using two screws only at this time.

Panic Device



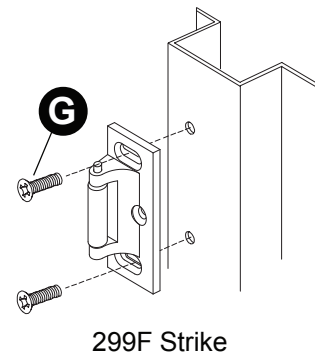
1439 Strike (standard)



299 Strike

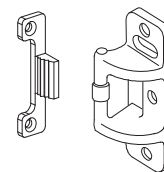
1606 Strike

Fire Rated Device



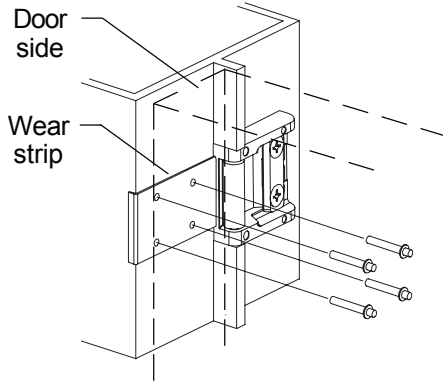
299F Strike

i For 499F strike installation, see page 7.



499F Strike

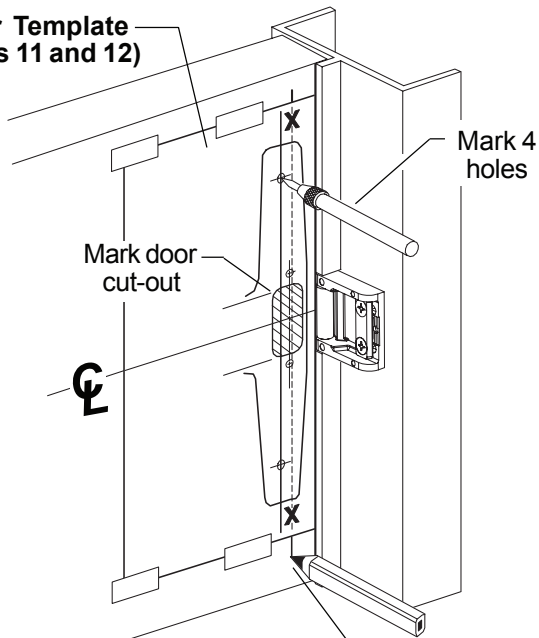
4 If using a 1439 strike, install wear strip. If not, go to step 5.



- A. Center wear strip on strike as shown.
- B. Mark and drill 1/8" dia. holes (4 places).
- C. Install wear strip with flat head drive rivets (4 places) from 1439 strike package.

5 Tape template to door and mark door.

Paper Template (pages 11 and 12)

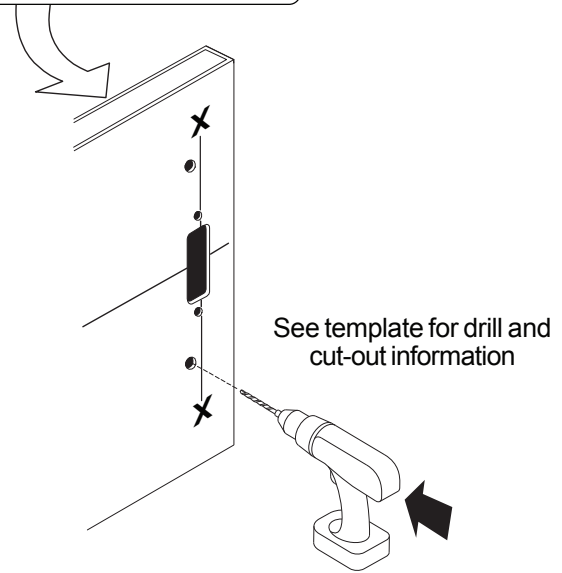


Mark vertical line **X-X** for trim alignment

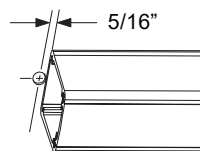
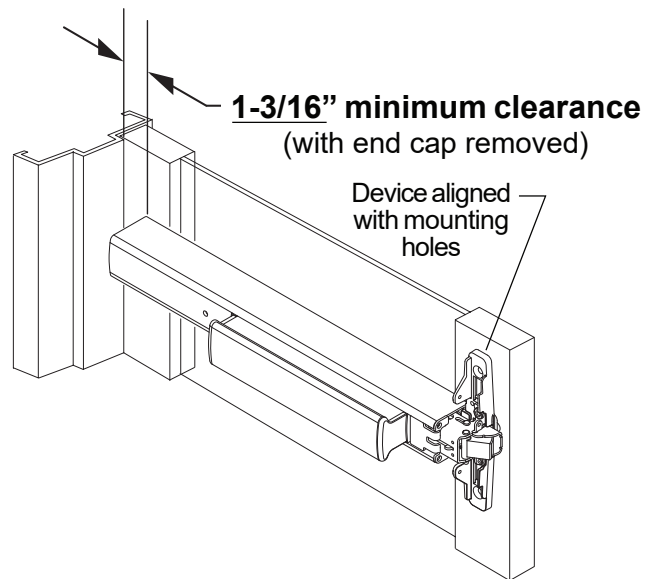
Note: Line X-X is a reference line on the paper template used for trim and exit device alignment. Line X-X shown here should correspond to line X-X in the trim installation instructions

6 Prepare lock side of door for device and trim.

See trim instructions for pull side door preparation.



7 Measure to determine length to cut device.

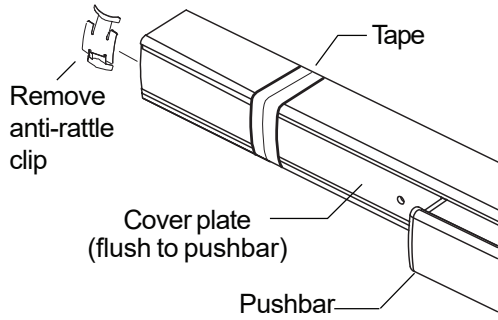


Note

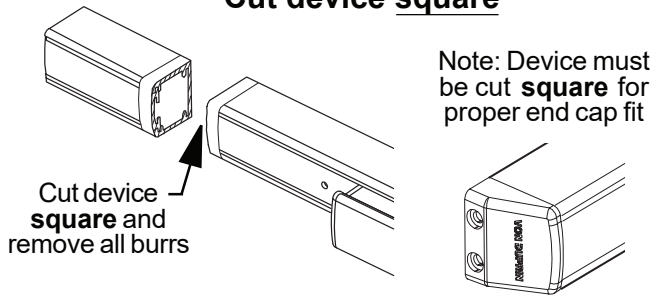
If 5/8" diameter wire access hole has been predrilled in door, cut device 5/16" from center of hole.

8 If necessary, cut device.

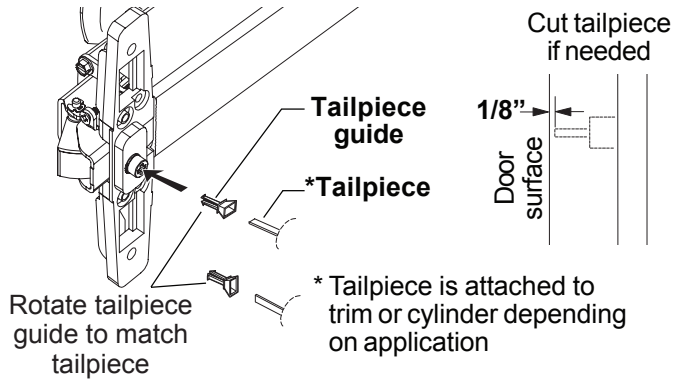
Prepare device for cutting



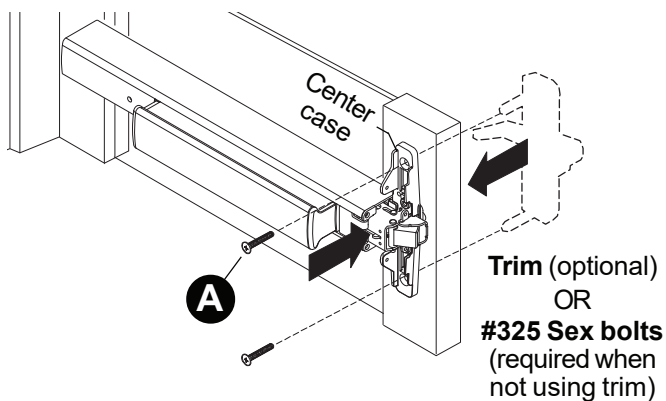
Cut device square



9 If using a cylinder with a tailpiece, prepare device and cylinder.

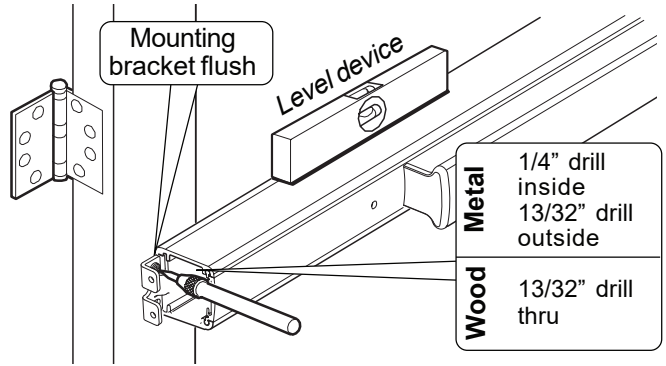


10 Attach center case to door.

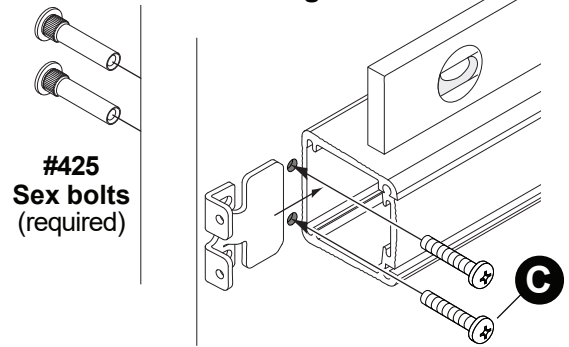


11 Install hinge stile mounting bracket.

Mark and prepare 2 mounting holes

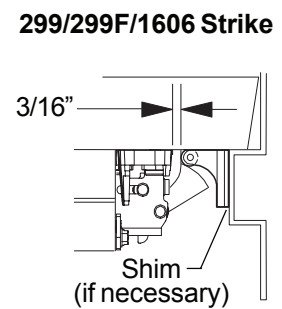
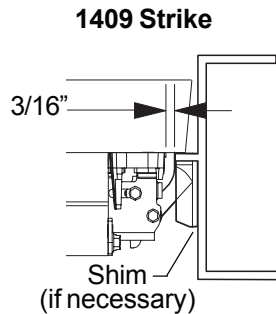


Secure mounting bracket

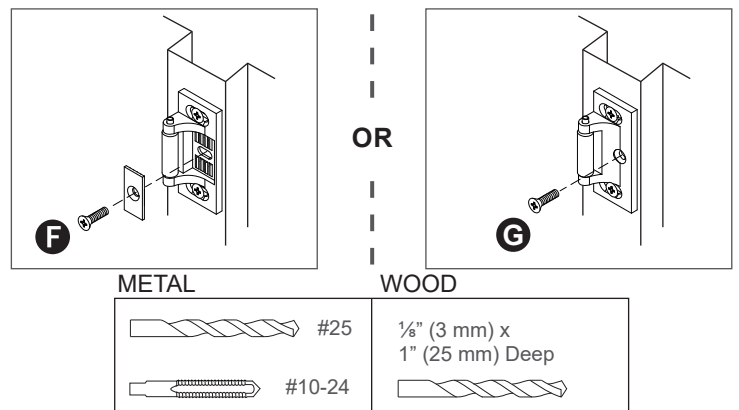


12 Adjust strike as needed.

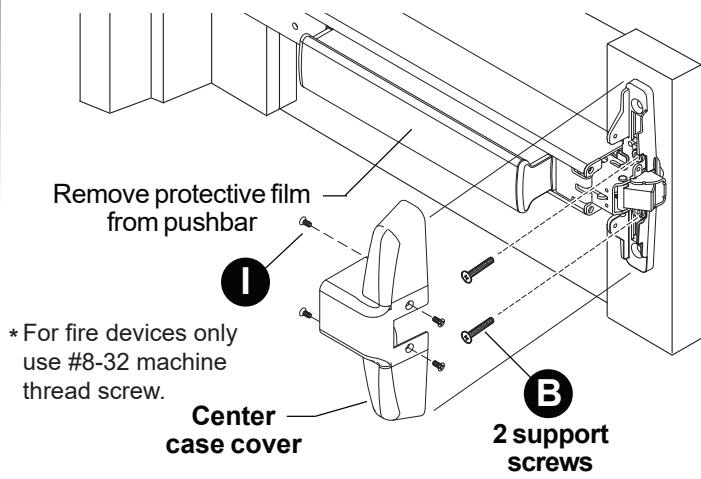
Shim strike for 3/16" clearance to chassis



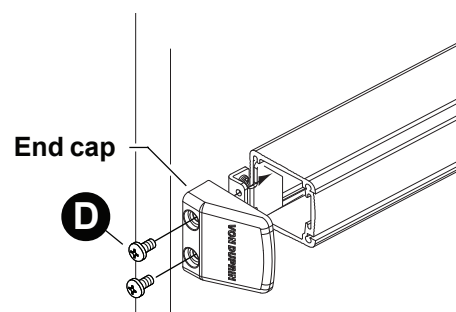
13 Install strike support screw.



14 Install 2 support screws and center case cover

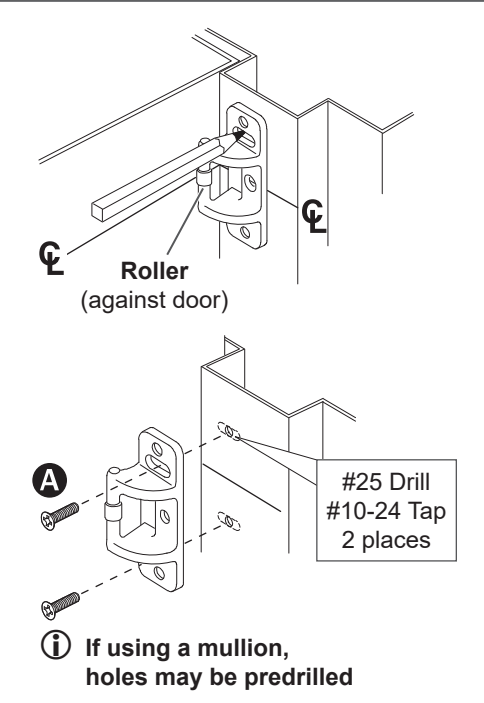


15 Install 2 support screws and center case cover

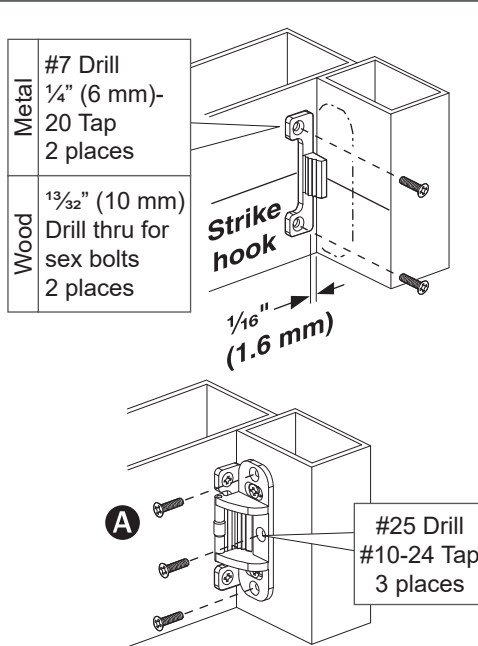


499F STRIKE INSTALLATION

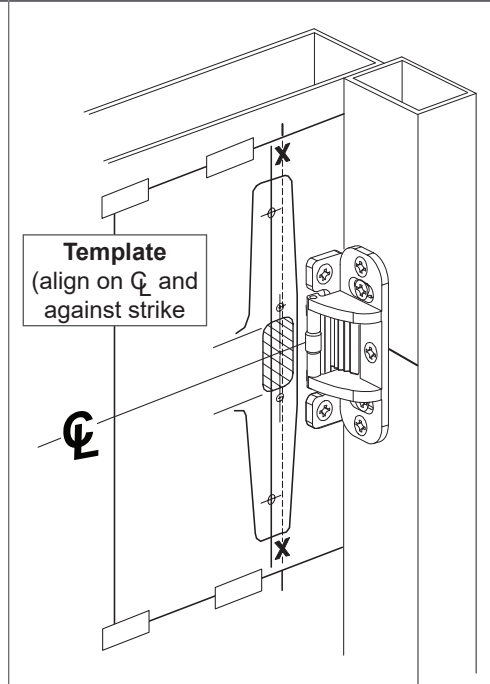
1. Prepare and install screws through two strike slots.



2. Install strike hook and additional strike screws.

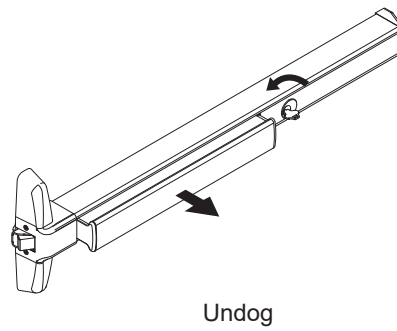
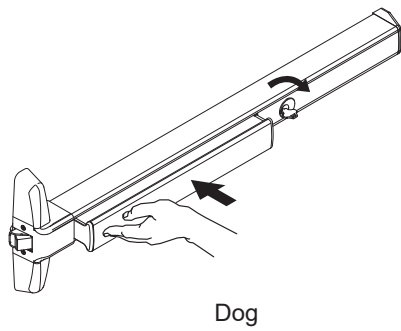
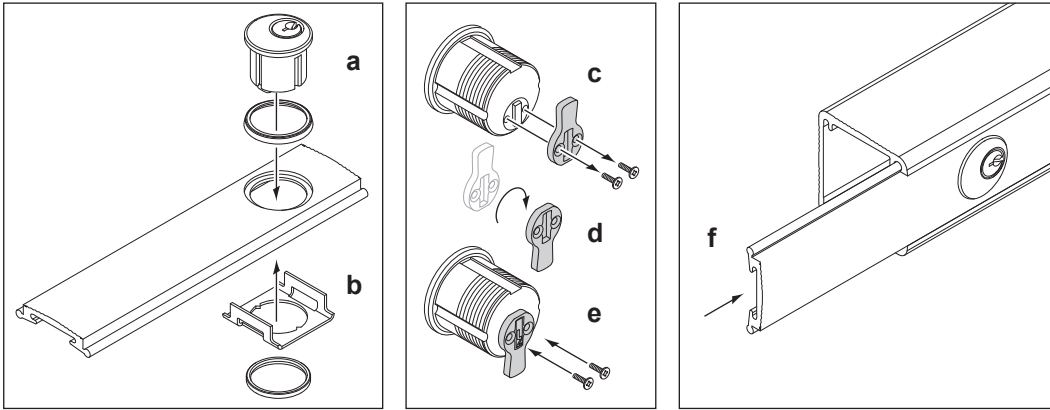


3. Template aligns as shown.

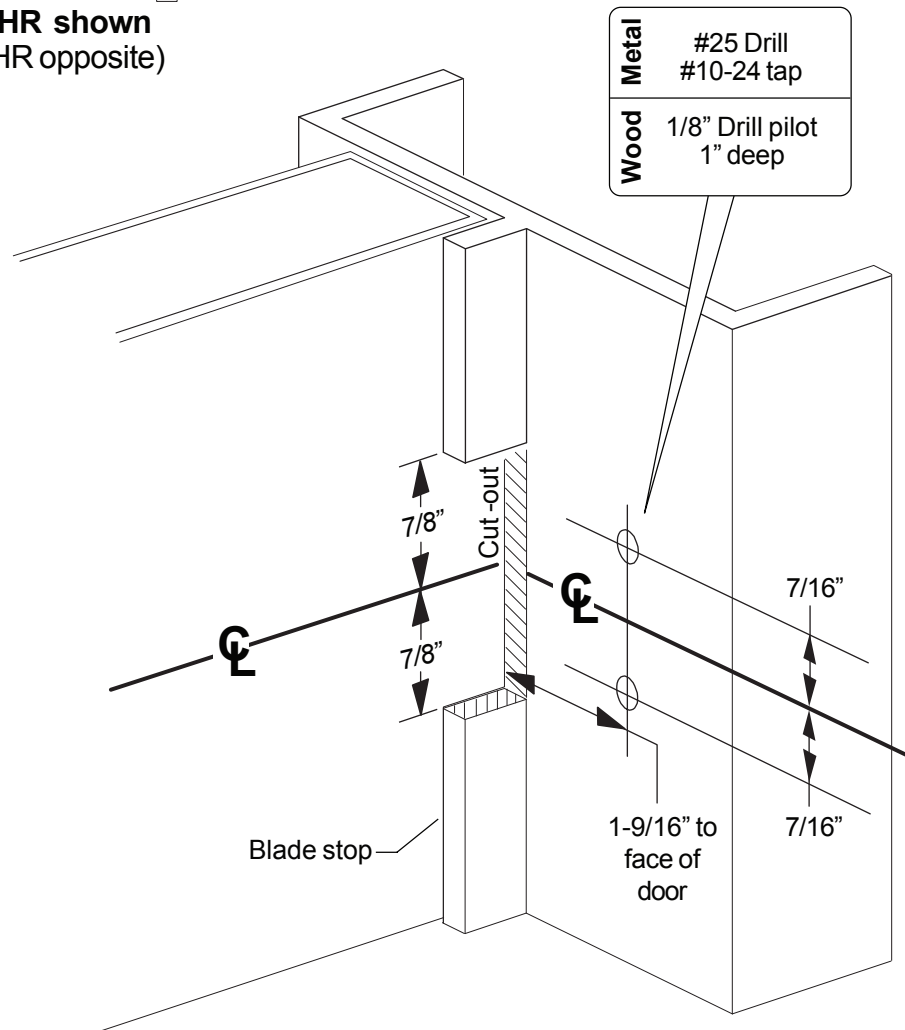
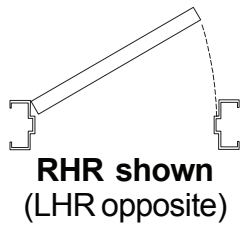
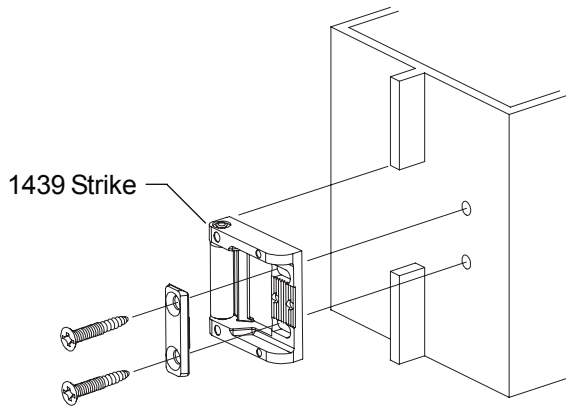


OPTIONAL EQUIPMENT

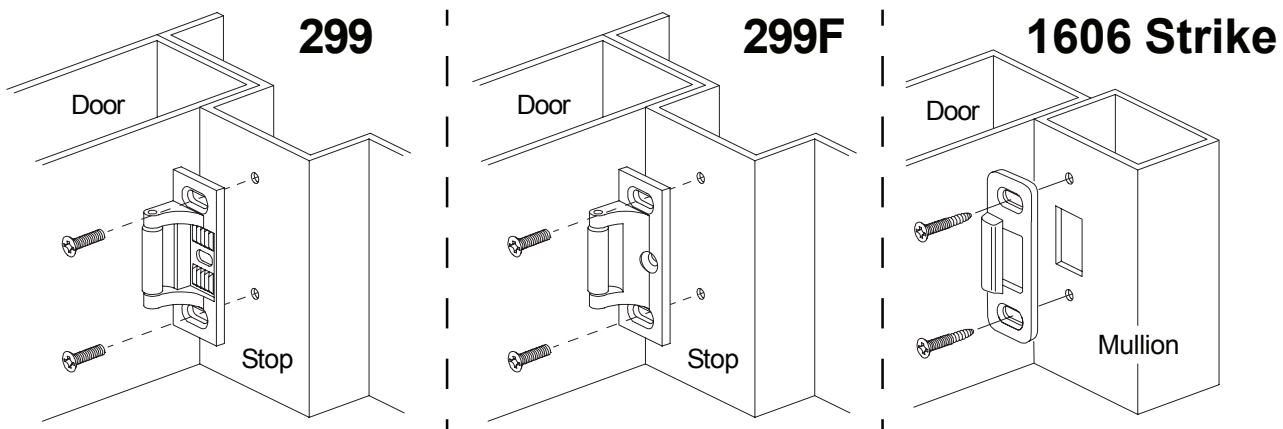
CD (Cylinder Dogging) Option



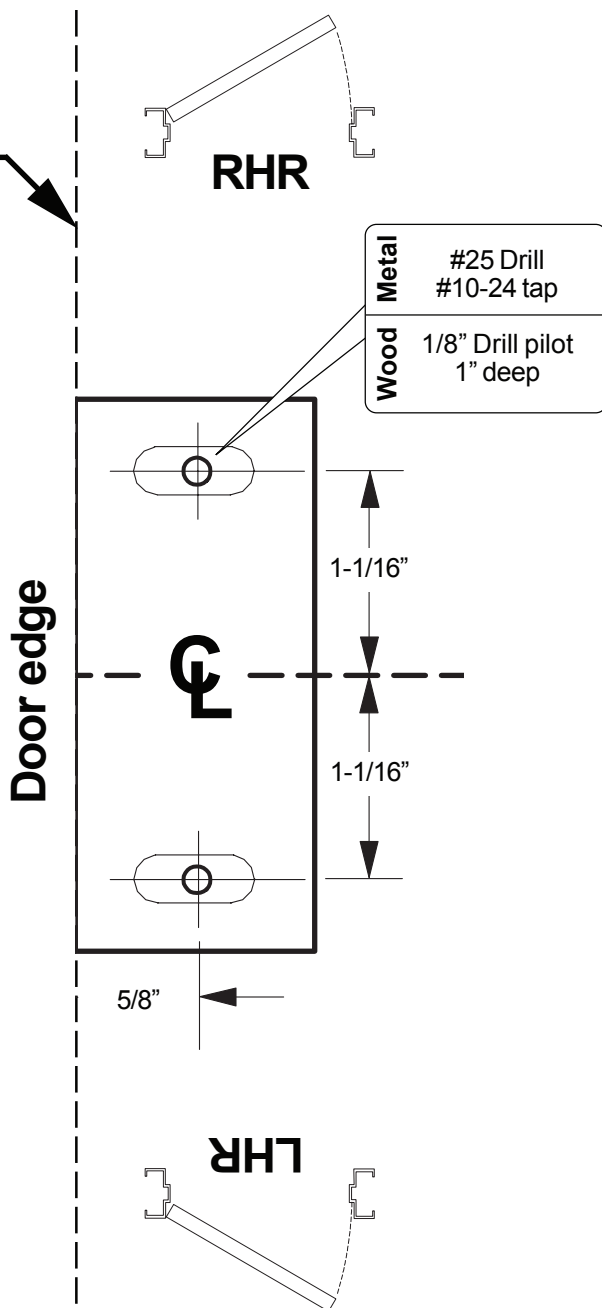
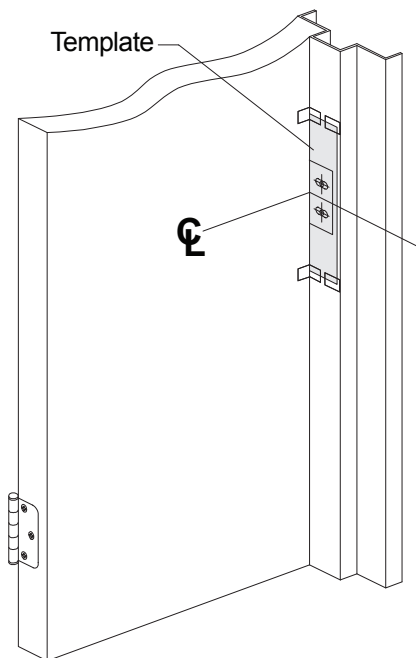
1439 Strike Frame Preparation



299/299F/1606 Strike Template



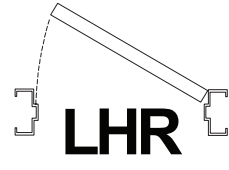
Cut paper along this line and place on door stop against edge of door (see picture below)



75 Rim device Template

Line X-X is a reference line for trim and exit device alignment.
Line X-X shown here should correspond to line X-X in the trim installation instructions

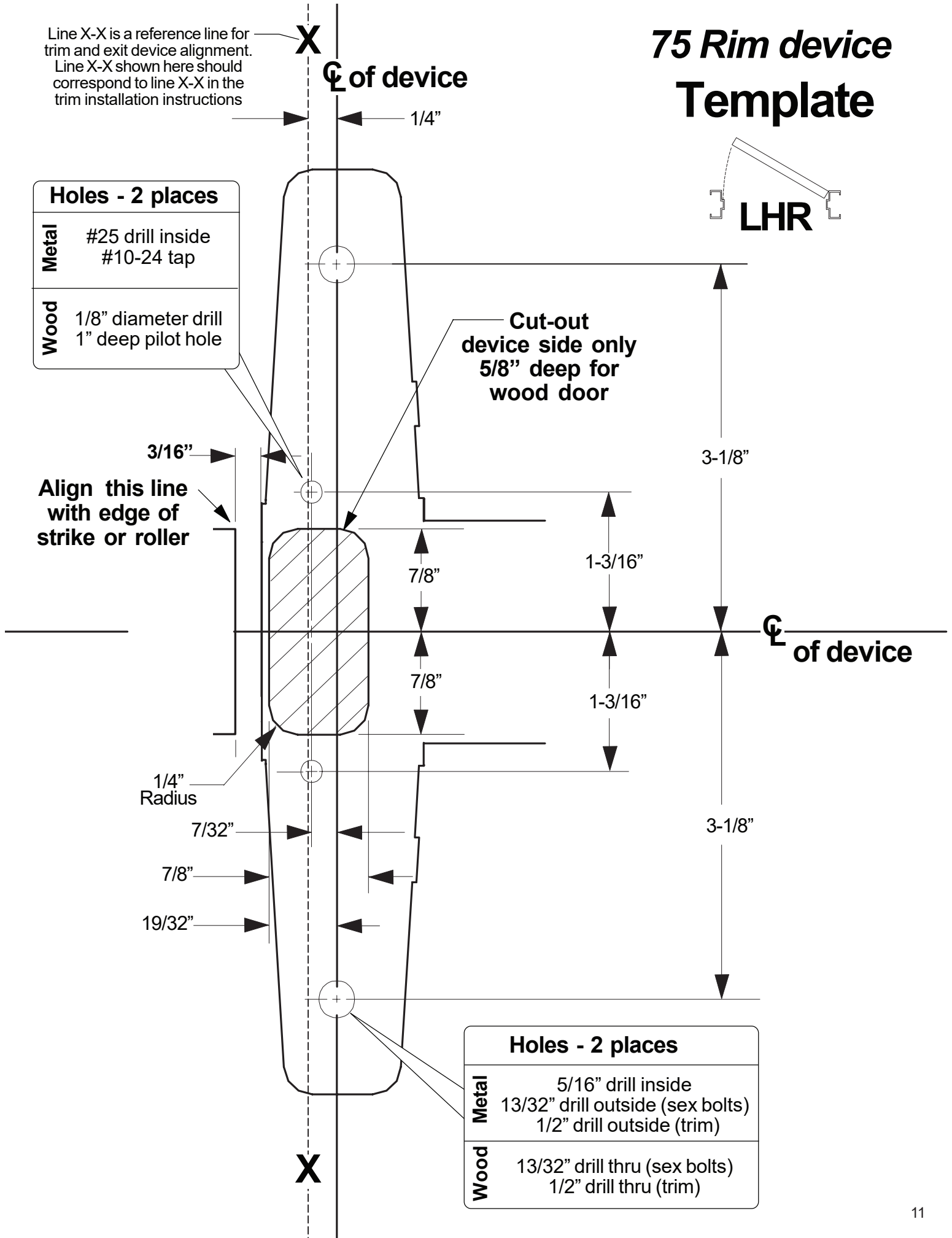
X
C of device



Holes - 2 places	
Metal	#25 drill inside #10-24 tap
Wood	1/8" diameter drill 1" deep pilot hole

Cut-out device side only
5/8" deep for wood door

3/16"
Align this line with edge of strike or roller



Holes - 2 places	
Metal	5/16" drill inside 13/32" drill outside (sex bolts) 1/2" drill outside (trim)
Wood	13/32" drill thru (sex bolts) 1/2" drill thru (trim)

75 Rim device Template

