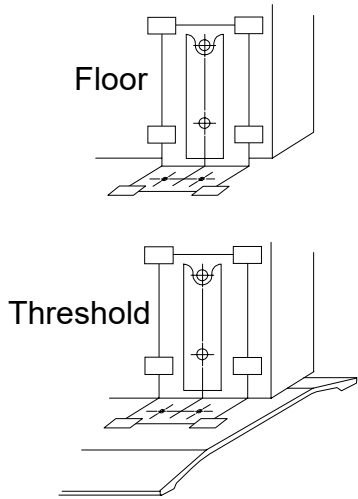


VON DUPRIN®

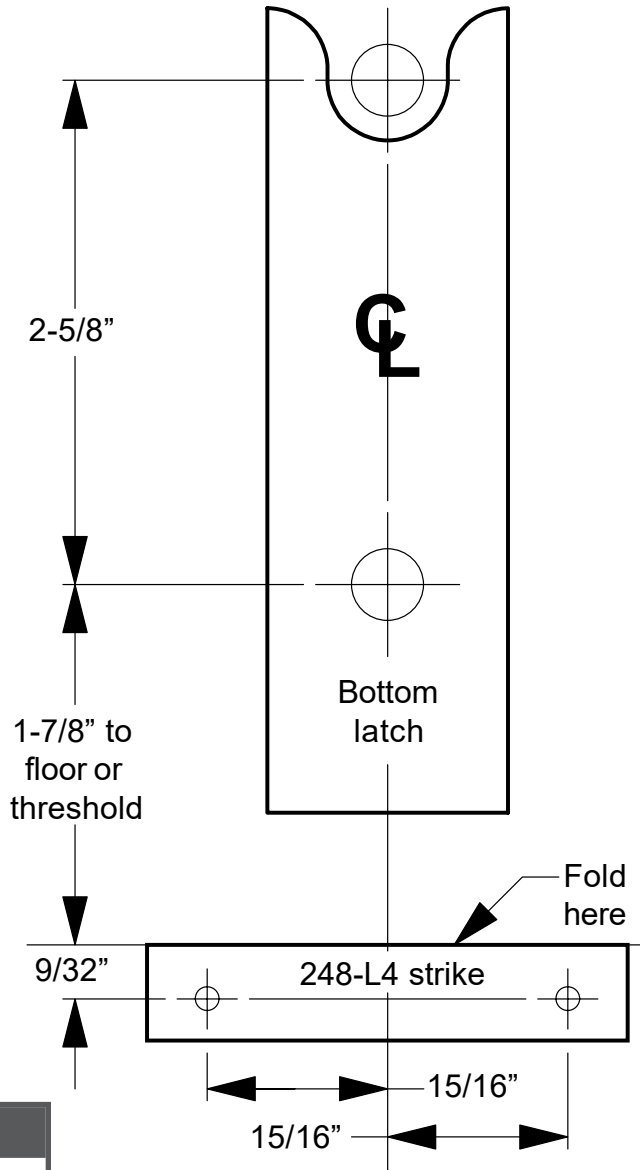
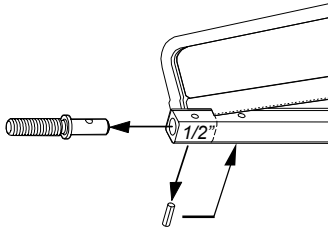
98/9927, 7827, AND 98/9957

LATCH AND STRIKE TEMPLATES

BOTTOM LATCH AND 248-L4 STRIKE



For **threshold** application, remove roll pin and fitting, cut bottom rod, reinstall fitting and roll pin in second hole

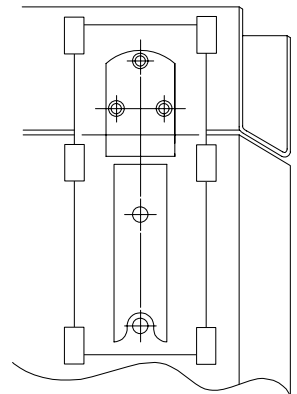
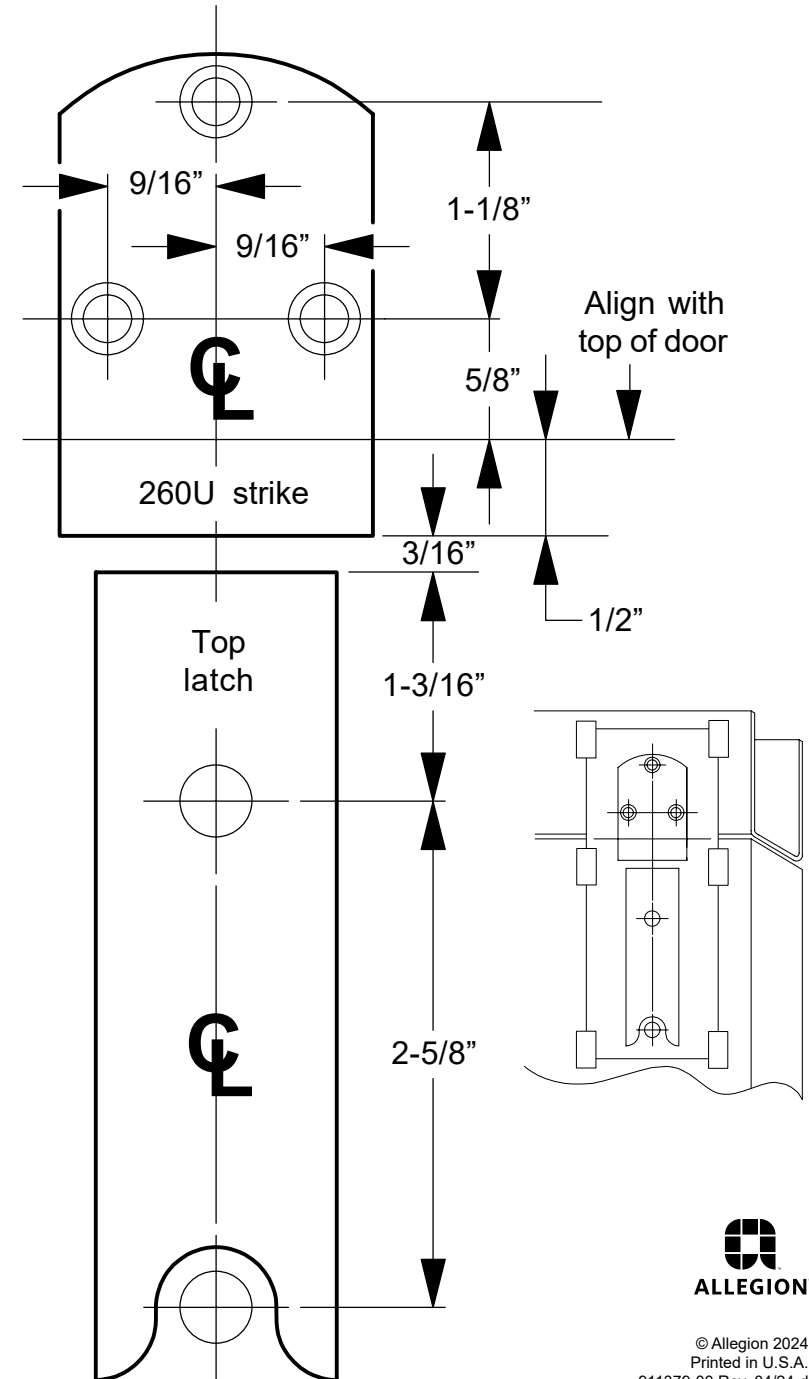


911379-00

Customer Service

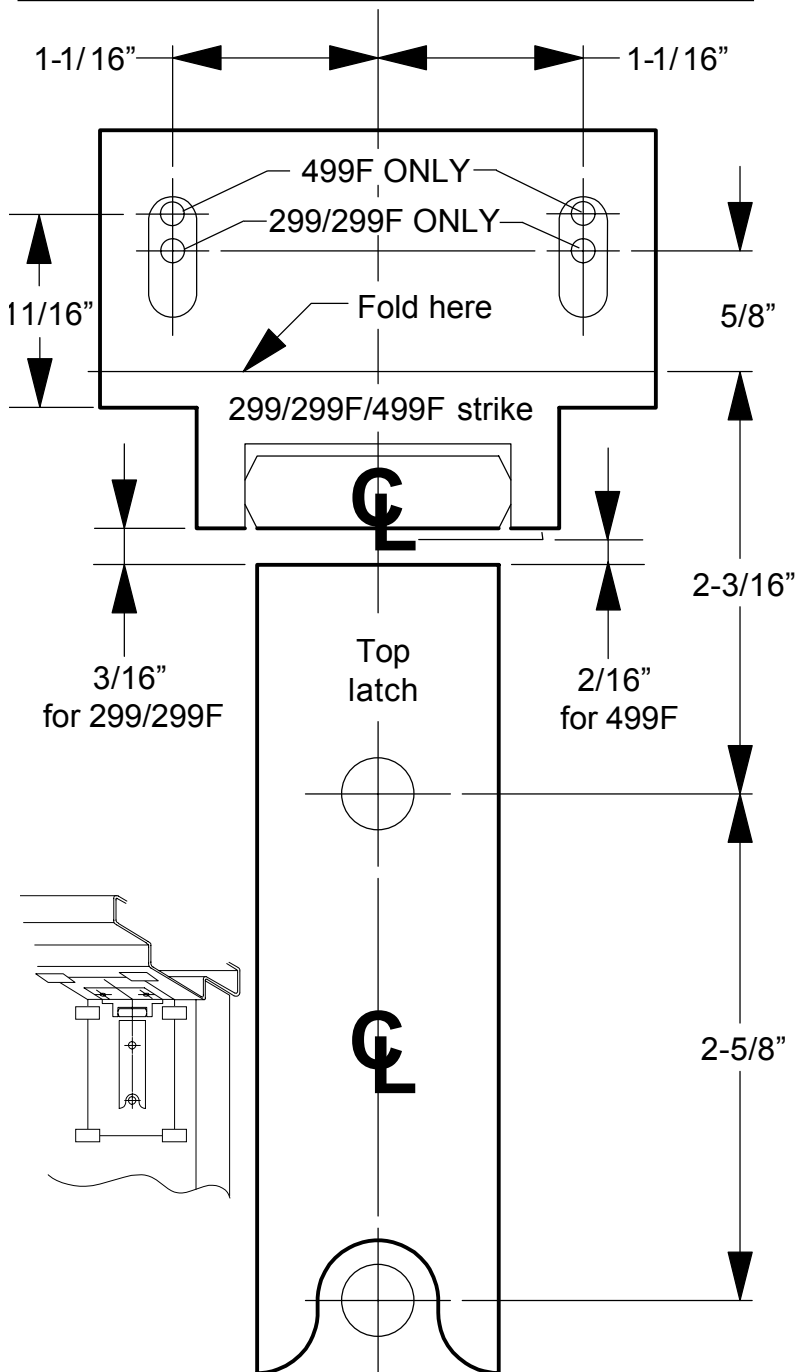
1-877-671-7011 www.allegion.com

TOP LATCH AND 260U STRIKE

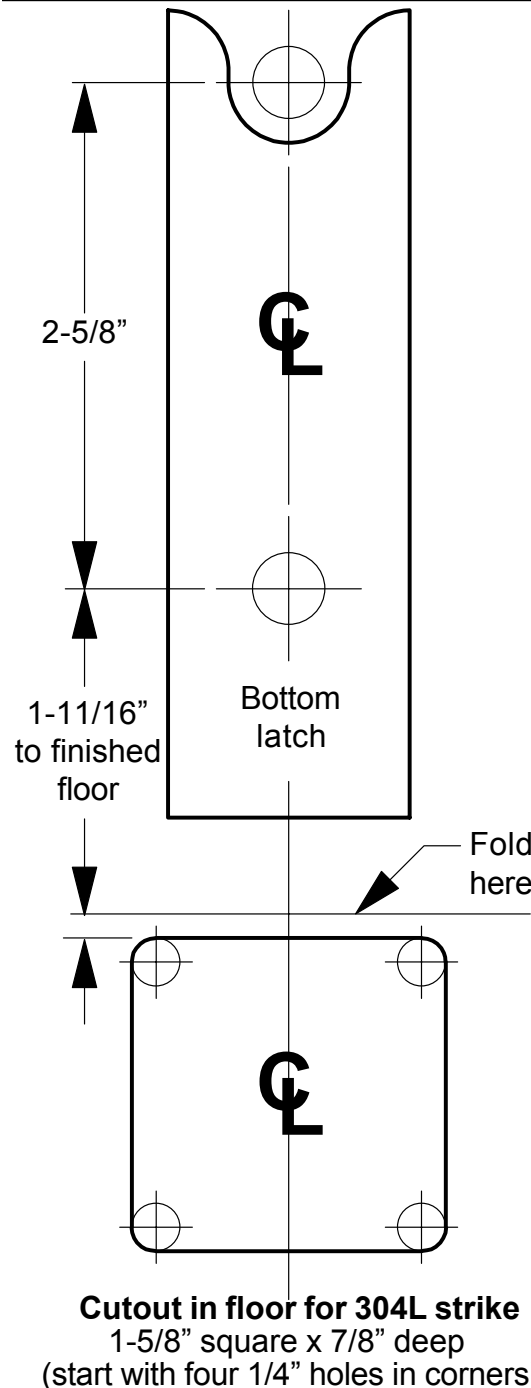


© Allegion 2024
Printed in U.S.A.
911379-00 Rev. 04/24-d

TOP LATCH AND 299/299F/499F STRIKE



BOTTOM LATCH AND 304L STRIKE



BOTTOM LATCH AND LATCH TRACK

