



941359-00

# CVC Cable Sizing and Attachment

# VON DUPRIN®

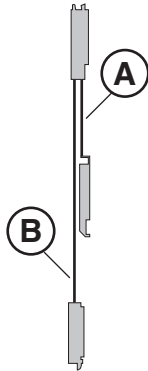
98/9949 and 33/3549A Devices

Installation Instructions

## CABLE IDENTIFICATION

### 1 Identify Cables and Locations.

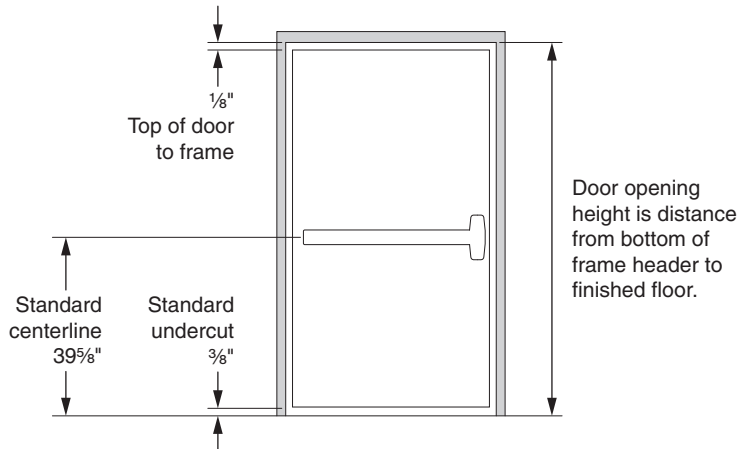
For easy identification, each cable is labeled with part number and location.



CABLE IDENTIFICATION		
* Door Opening Height	HOLLOW METAL AND ALUMINUM DOORS	
	A Top Cable (Red)	B Bottom Cable (White)
6' 0" - 6' 10"	47250398	47250403
6' 10" - 8' 0"	47250175	47250178
8' 0" - 9' 2"	47250176	47250179
9' 2" - 10' 4"	47250177	47250180
10' 4" - 11' 6"	47250399	47250404
11' 6" - 12' 8"	47250400	47250405
12' 8" - 13' 10"	47250401	47250406
13' 10" - 15' 0"	47250402	47250407

Standard Sizes

\* Based on standard centerline of 39 $\frac{5}{8}$ " from finished floor



## WARNINGS AND CAUTIONS

### WARNING

Warnings indicate potentially hazardous conditions, which if not avoided or corrected, may cause death or serious injury.

### CAUTION

Cautions indicate potentially hazardous conditions, which if not avoided or corrected, may cause minor or moderate injury. Cautions may also warn against unsafe practices.

**Caution:** Cautions indicate a condition that may cause equipment or property damage only.

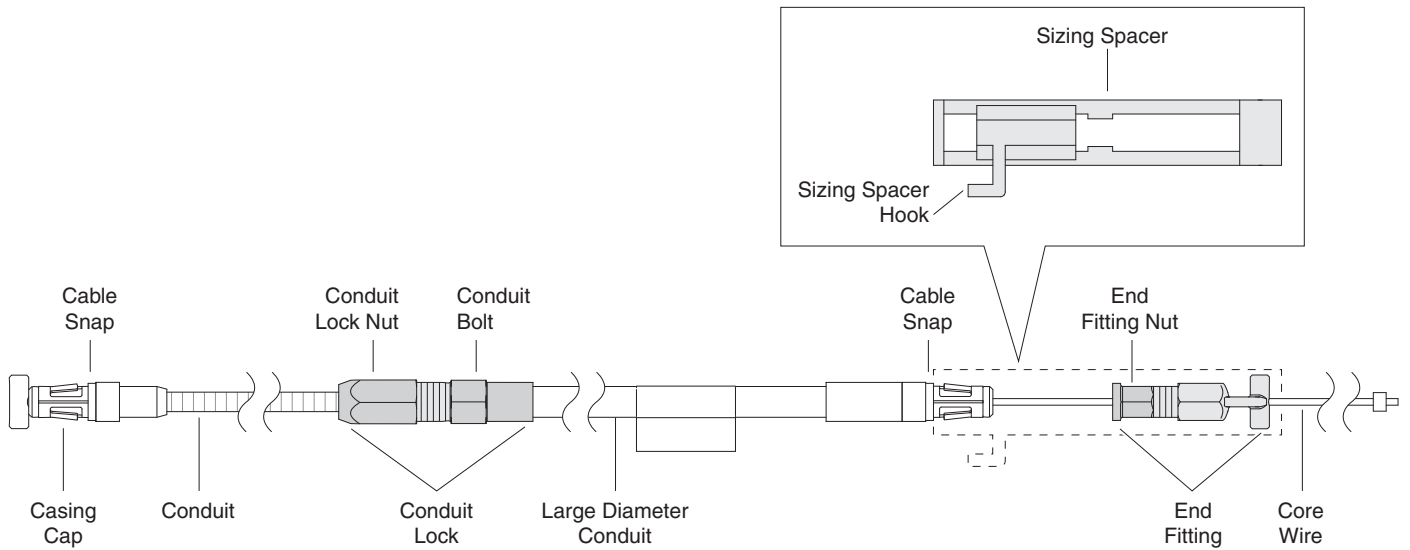


Customer Service

1-877-671-7011 [www.allegion.com/us](http://www.allegion.com/us)

© Allegion 2016  
Printed in U.S.A.  
941359-00 Rev. 07/16-b

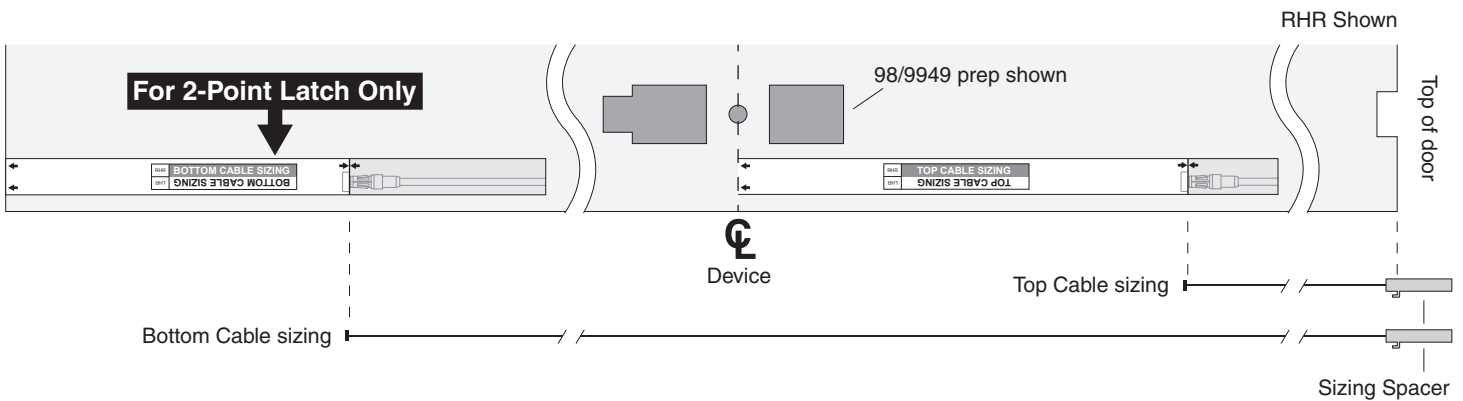
# CABLE COMPONENTS



# CABLE SIZING PREPARATION

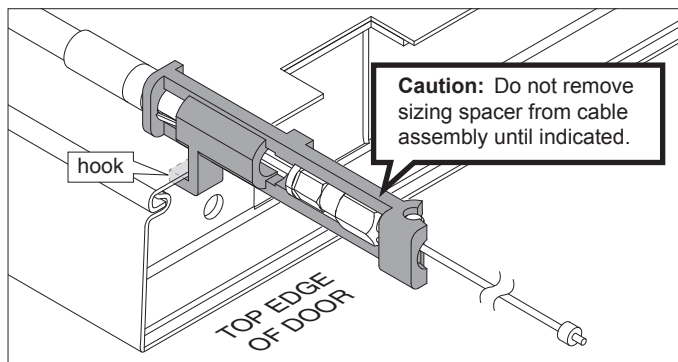
- 2** Align Sizing Tape to Horizontal Device Center Line as shown. For Bottom Cable Sizing (if applicable), Align Sizing Tape to Bottom Edge of Door.

Use cable components diagram above for reference.

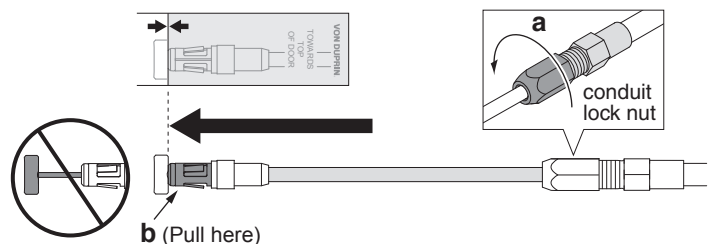


# CABLE SIZING

- 3** To Size Top Cable, Align Sizing Spacer Hook to Top Edge of Door.

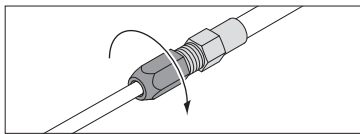


- 4** Loosen Conduit Lock Nut 1/2 Turn. At Opposite End of Cable, Pull Casing Cap to Line on Tape.

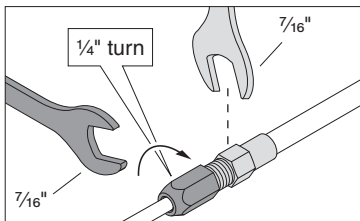


# CABLE SIZING (continued)

**5** Hand Tighten Conduit Lock Nut.



**6** Wrench Tighten Conduit Lock Nut 1/4 Turn.

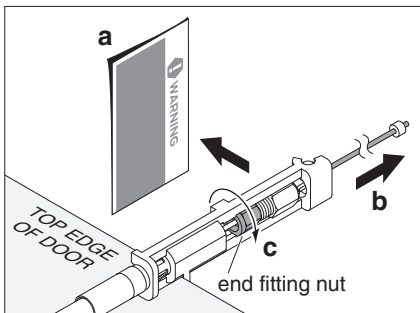


**Caution:** Do not overtighten.

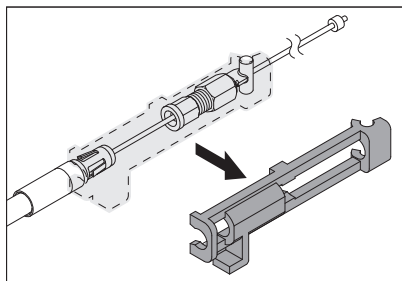
**⚠ WARNING**

Failure to properly tighten conduit lock nut will result in device malfunction and possible lock in or lock out situation.

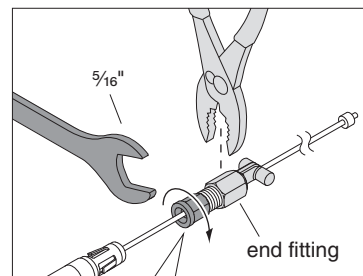
**7** Remove Warning Label. While Pulling Core Wire Tight, Hand Tighten End Fitting Nut.



**8** Remove Sizing Spacer. (Do not discard.)



**9** While Holding End Fitting in Place with Pliers, Fully Tighten End Fitting Nut with Wrench.

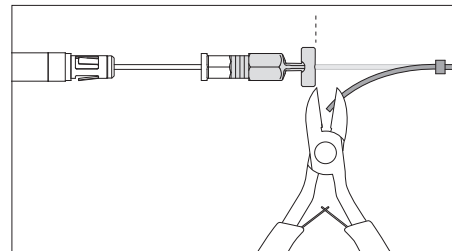


**⚠ WARNING**

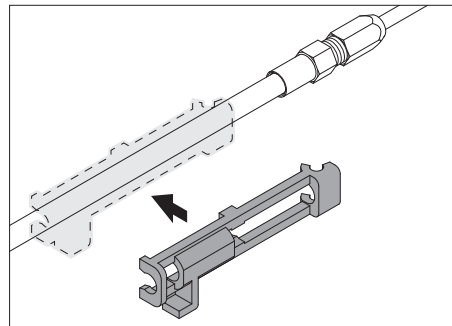
Failure to properly tighten end fitting nut will result in device malfunction and possible lock in or lock out situation.

Once tightened down, end fitting nut can't be loosened or readjusted.

**10** Cut Core Wire Flush with End Fitting.



**11** Snap Sizing Spacer onto Large Diameter Conduit for Storage.



**12** To Size Bottom Cable, Align Sizing Spacer Hook to Top Edge of Door as before, and Repeat Steps 3 thru 10.

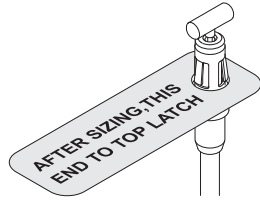
**For 2-Point Latch Only**

Repeat Steps 3 thru 10

# CABLE ATTACHMENT

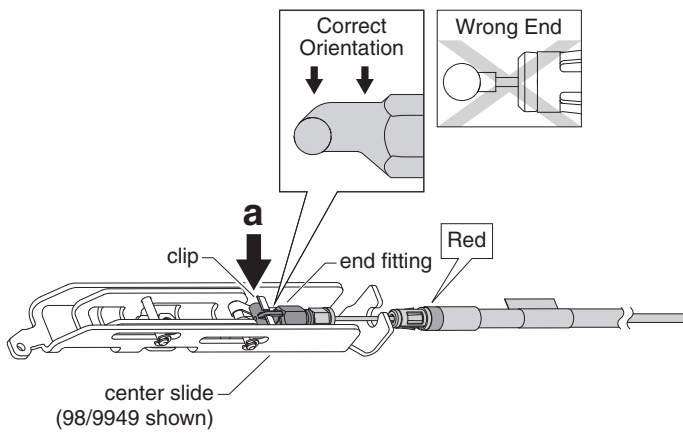
## 13 Flip Top Cable.

**Caution:** After sizing, TOP cable must be flipped 180° before installing. See tag.

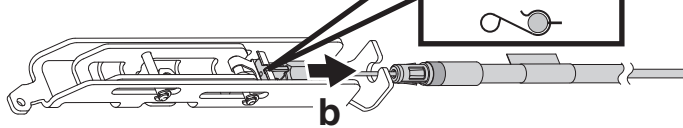


## 14 Install Top Cable.

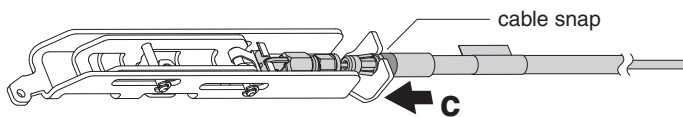
- a. There is an end fitting on one end of the red cable. Position this end to clip on center slide.



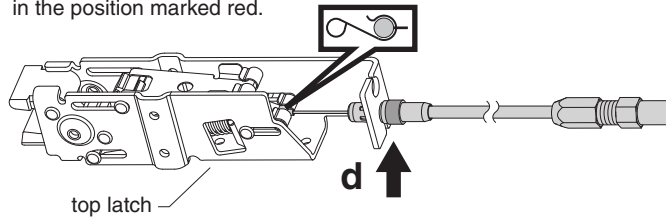
- b. Pull cable into clip to snap it into place. **Caution:** Ensure cable end is fully seated in clip.



- c. Push cable snap against center slide to secure cable.

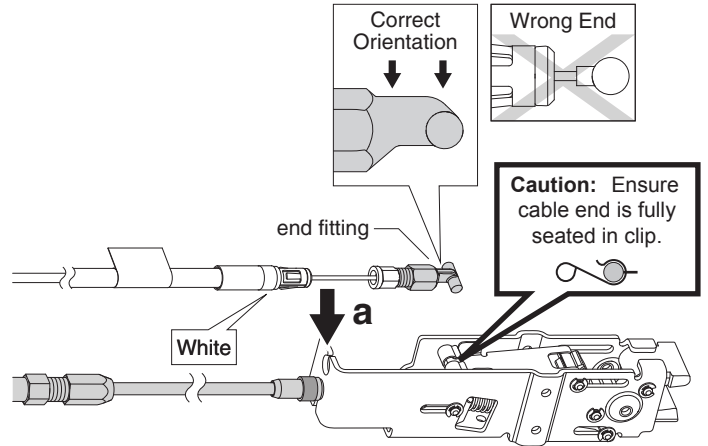


- d. Follow steps (a) thru (c) to install opposite end of red cable to top latch in the position marked red.

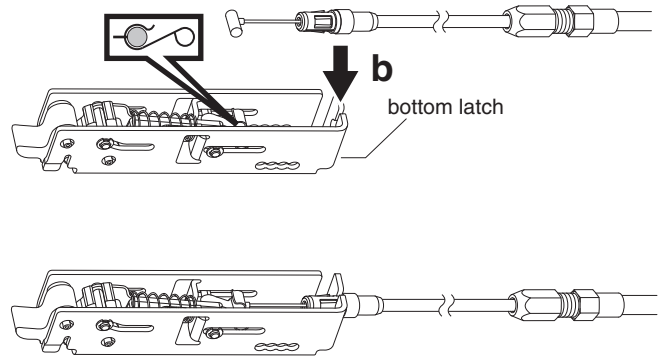


## 15 Install Bottom Cable. For 2-Point Latch Only

- a. There is an end fitting on one end of the white cable. Install this end to the remaining top latch position (marked as white).



- b. Install opposite end of white cable to bottom latch.



## 16 Determine if Bottom Latch Retraction Adjustment is Necessary.

**For 2-Point Latch Only**

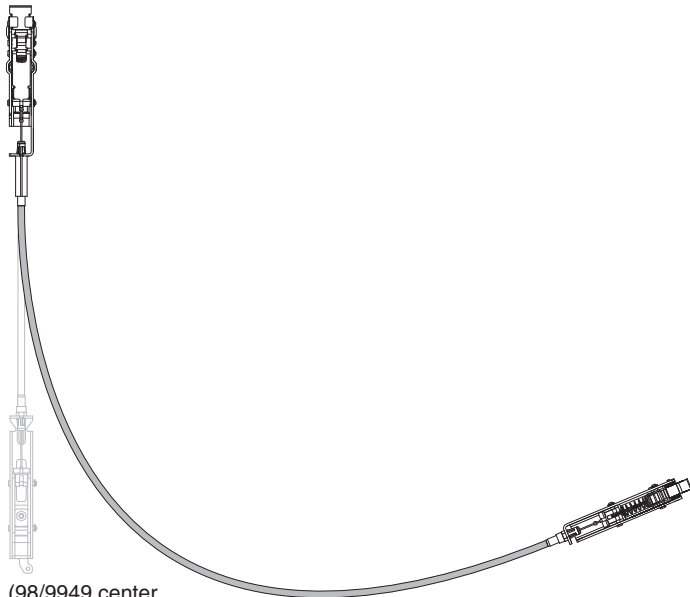
**CAUTION**  
Critical step.

**CAUTION**

Adjustment must be made while the top latch is in the hold-open position.



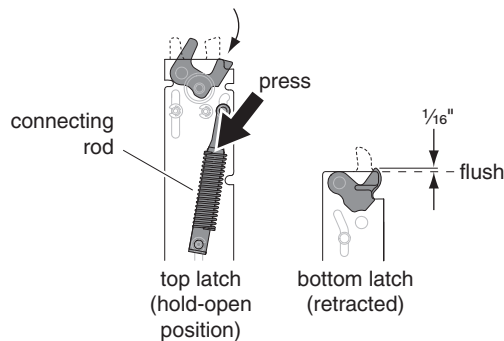
- a. Flex the cable into an L-shape as shown to simulate the installed condition of the latches.



(98/9949 center slide shown)

- b. To determine whether an adjustment is required, actuate the top latch to the hold-open position by pressing down on the connecting rod. Bottom latch should retract to within  $\frac{1}{16}$ " of flush. If it does not, an adjustment is necessary.

If no adjustment is needed, proceed to Step 18.



## 17 Adjust Bottom Latch Retraction (if necessary). For 2-Point Latch Only

The conduit lock is used to make this adjustment.

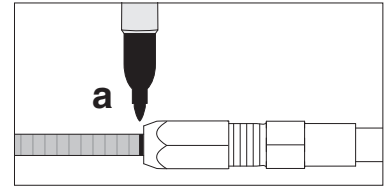


**CAUTION**

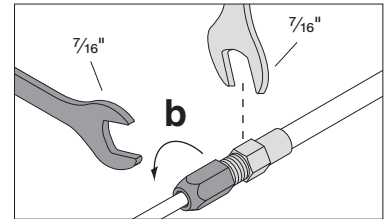
Adjustment must be made while the top latch is in the hold-open position.



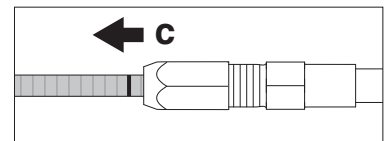
- a. Use a permanent marker or tape to mark position of bottom cable conduit.



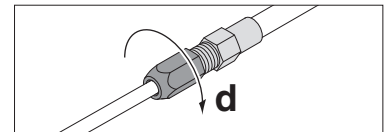
- b. Loosen conduit lock nut so conduit is free to slide.



- c. Pull until (1) extra wrap of conduit can be seen (1 wrap =  $\frac{1}{8}$ ").



- d. Hand tighten conduit lock nut.



- e. Repeat Step 16. Confirm bottom latch now retracts to within  $\frac{1}{16}$ " of flush.

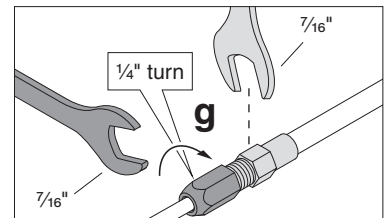
- f. If not, loosen conduit lock nut, pull out an additional wrap of conduit, and hand tighten conduit lock nut.

- g. Wrench tighten conduit lock nut  $\frac{1}{4}$  turn.

**Caution:** Do not overtighten.

**WARNING**

Failure to properly tighten conduit lock nut will result in device malfunction and possible lock in or lock out situation.



## 18 Confirm Bottom Deadlatching. For 2-Point Latch Only

- a. Lock top latch. Flex the cable into an L-shape as before.

- b. Push against flat side of bottom latchbolt. Latchbolt should NOT release.



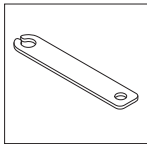
If latchbolt releases, return conduit to position marked in Step 17a. Repeat bottom latch retraction adjustment.

**CAUTION**

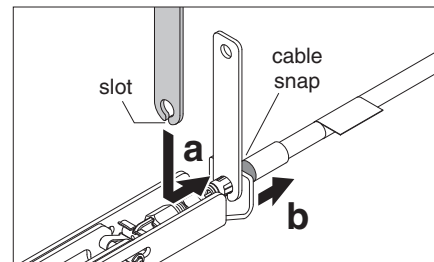
If no bottom latch retraction adjustment was necessary, yet the bottom latch won't deadlatch, contact technical support.

## CABLE REMOVAL

(If cable was installed in wrong position)



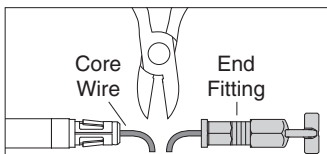
A cable removal tool was included with device. Slot in tool fits over cable, holding tabs down. Pull on cable snap to loosen cable for removal.



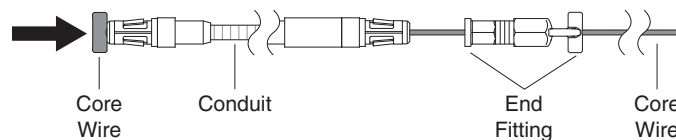
## CORE WIRE REPLACEMENT

(If core wire was cut too short)

a. Cut core wire. Discard old core wire and end fitting.



b. Slide new core wire thru conduit and end fitting.



c. Reattach spacer as shown.

