



911373-00

98/99 Rim

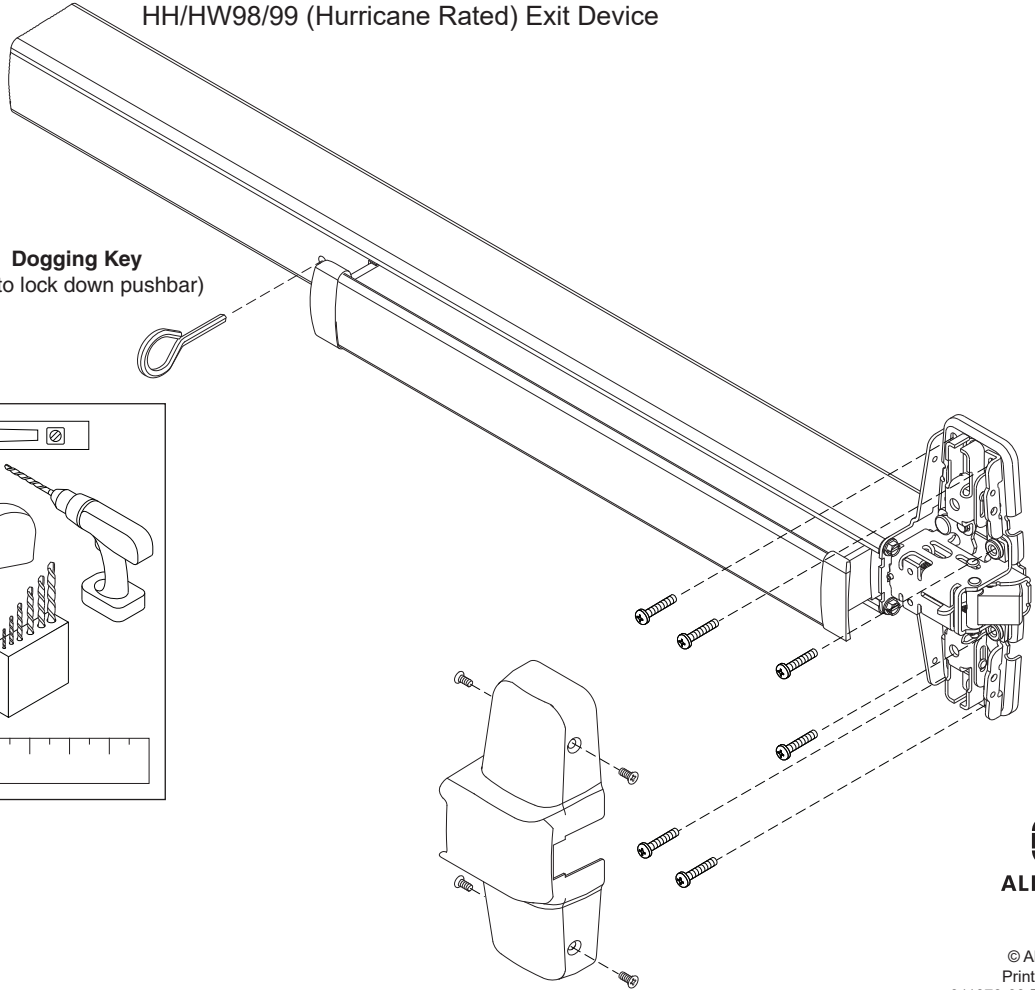
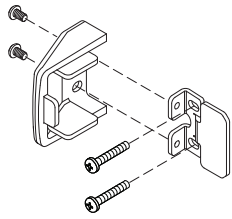
VON DUPRIN®

Rim Exit Device

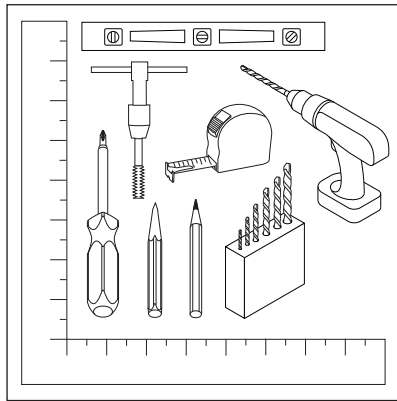
Installation Instructions

Devices covered by these instructions:

- 98/99 Rim Exit Device
- 98/99-F (Fire) Exit Device
- CD98/99 (Cylinder Dogging) Exit Device
- QEL98/99 (Electric Latch Retraction) Exit Device
- HH/HW98/99 (Hurricane Rated) Exit Device



Dogging Key
(use to lock down pushbar)



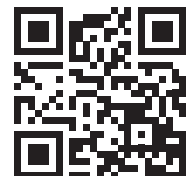
© Allegion 2022
Printed in U.S.A.
911373-00 Rev. 05/22-n

Hurricane rated exit device requirements (when used with approved Allegion door applications)

Through Bolts	When installing a Wind and Impact-rated hurricane device (HH), through bolts must be used. Through bolts are noted throughout the instructions where applicable. If through-bolting trims are used, these trims are equivalent in function and are used in place of through bolts.			
Application	Single door standard strike	Mullion	Double door standard strike	
HH (Wind and Impact rated)	98/99	299F	HH9954	499F
	98/99-F			
HW (Wind Only)	98/99	299	4954 or KR4954	299
			1654 or KR1654	1606
			5654	299
	5754	1408		
98/99-F	299F	9954 or KR9954	499F	

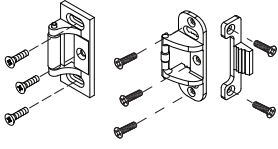
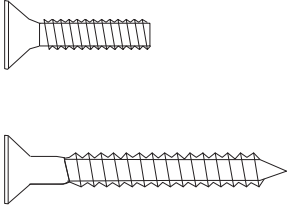
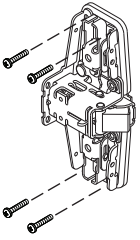
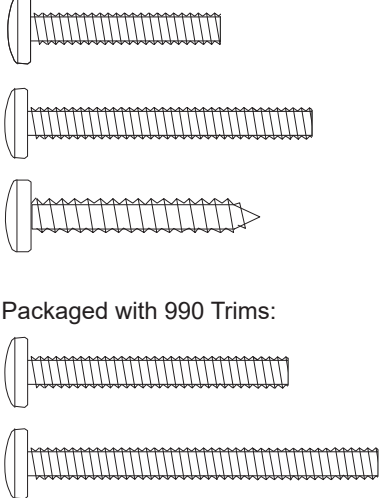
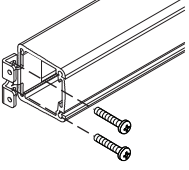
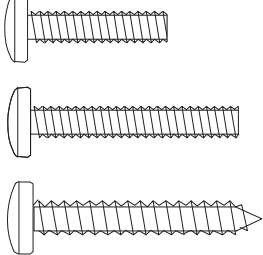
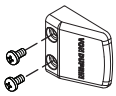
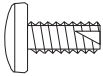
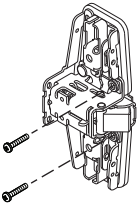
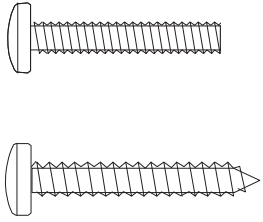
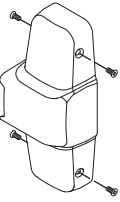
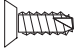
Digital instructions - please read

For the best installation experience, we now have Smartphone friendly digital interactive instructions. Just scan the QR code.

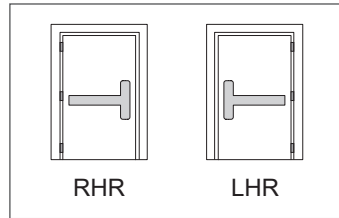
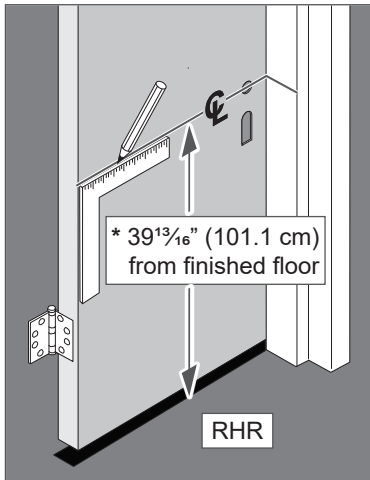


alle.co/99rim

SCREW CHART

Device Subassembly	Screw		Application
<p>A</p>  <p>299 Strike 499F Strike</p>		<p>#10-24 x 3/4" (19 mm)</p> <p>#10 x 1 1/2" (38 mm) Wood screw</p>	<p>Metal frame</p> <p>Wood frame</p>
<p>B</p> 	 <p>Packaged with 990 Trims:</p>	<p>#10-24 x 1" (25 mm)</p> <p>#10-24 x 1 1/2" (38 mm)</p> <p>#10 x 1 1/4" (32 mm) Wood screw</p> <p>#10-24 x 1 3/4" (35 mm)</p> <p>#10-24 x 1 7/8" (48 mm)</p>	<p>Surface mount or Through bolts 1 3/4" (44 mm) door</p> <p>Through bolts, 2 1/4" (57 mm) door</p> <p>Surface mount (wood)</p> <p>1 3/4" (44 mm) door, 990 Trim</p> <p>2 1/4" (57 mm) door, 990 Trim</p>
<p>C</p> 		<p>#10-24 x 3/4" (19 mm)</p> <p>#10-24 x 1 1/8" (29 mm)</p> <p>#10 x 1 1/4" (32 mm) Wood screw</p>	<p>Surface mount or Through bolts 1 3/4" (44 mm) door</p> <p>Through bolts, 2 1/4" (57 mm) door</p> <p>Surface mount (wood)</p>
<p>D</p> 		<p>#10-16 x 3/4" (10 mm) Thread cutting</p>	<p>End cap</p>
<p>E</p> 		<p>#10-24 x 1" (25 mm)</p> <p>#10 x 1 1/4" (32 mm) Wood screw</p>	<p>Surface mount (metal)</p> <p>Surface mount (wood)</p>
<p>F</p> 		<p>#8-18 x 3/4" (10 mm) Thread cutting</p>	<p>Center case cover</p>

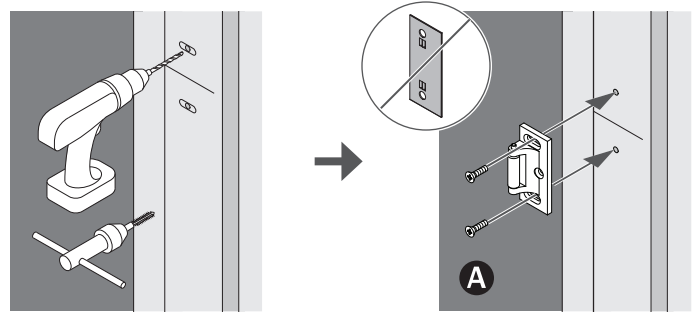
1 Draw horizontal device and strike center lines (C).



* For double doors with a mullion and strike already installed, use existing strike center line.

3 Prepare 2 holes and install 2 screws.

① See "Screw Chart" on previous page for screw types and sizes



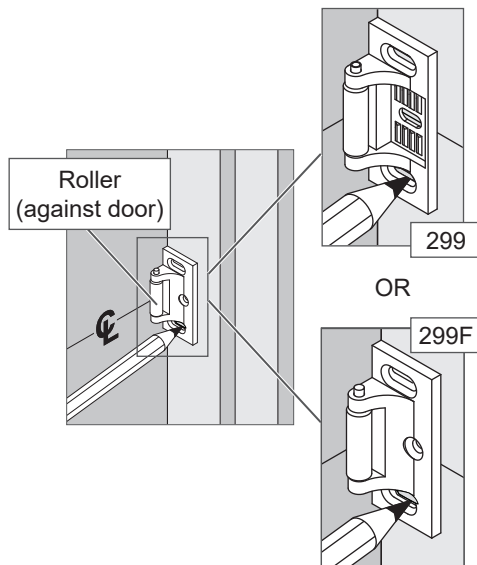
Metal	#25	#10-24

OR

Wood	1/8" (3 mm) x 1" (25 mm) deep

2 Align strike on C and mark the two slotted holes.

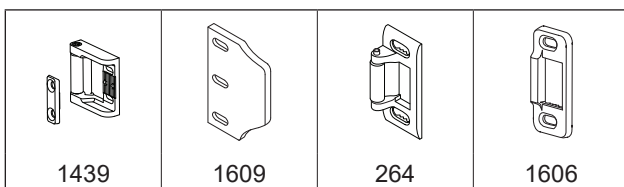
① For 499F strike installation, see page 6.



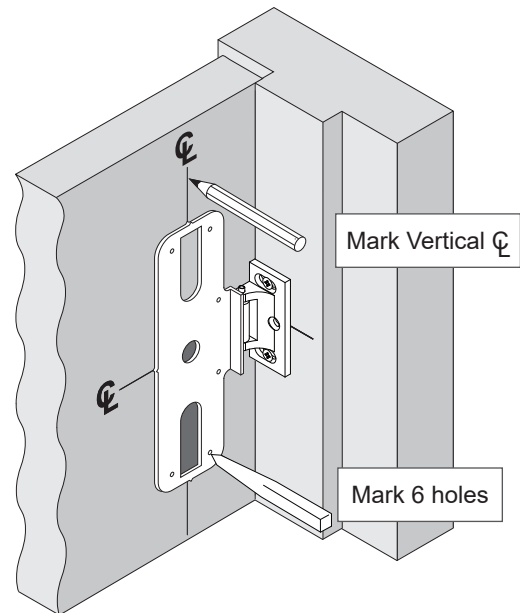
① For online information on the strikes shown below, enter the web address shown.



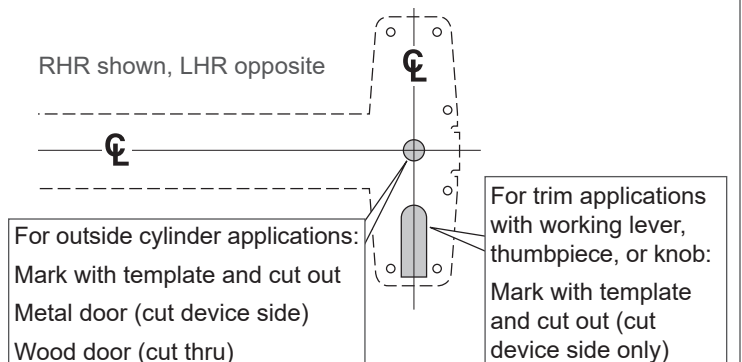
alle.co/99Rstrikes



4 Position template against strike and on C and mark door.

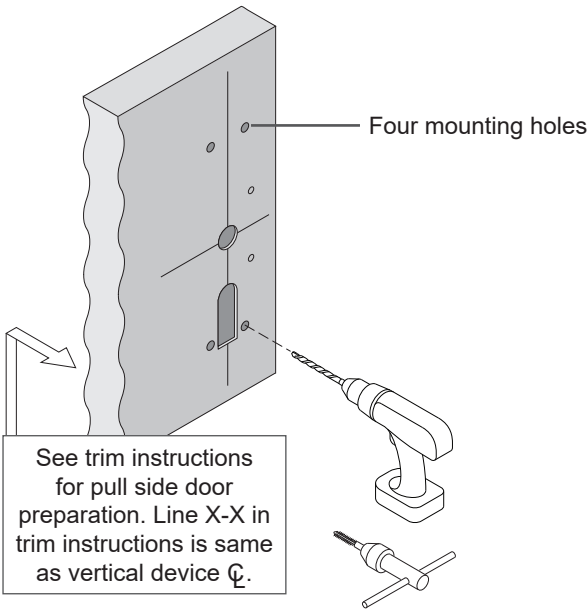


5 If necessary, prepare cutouts for cylinder and trim.



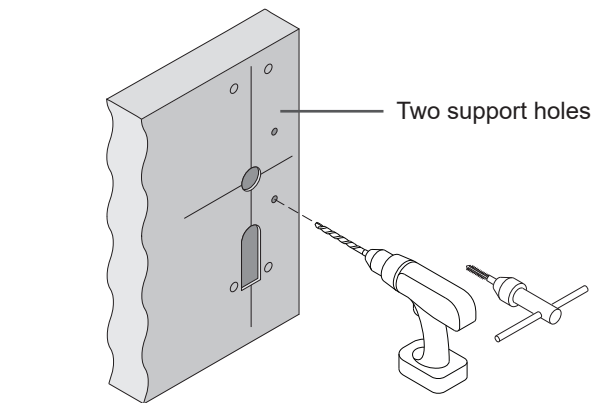
Customer Service
1-877-671-7011 www.allegion.com/us

6 Prepare 4 center case mounting holes.



WOOD	METAL	SURFACE MOUNT	OR	METAL	THROUGH BOLTS or 990 TRIMS
		#25 #10-24 1/8" (3 mm) x 1" (25 mm) Deep			1/4" (6 mm) Device Side 1 3/32" (10 mm) Trim Side 1 3/32" (10 mm) Drill Thru
Required on Hurricane (HH) devices					

7 Prepare 2 center case support holes.

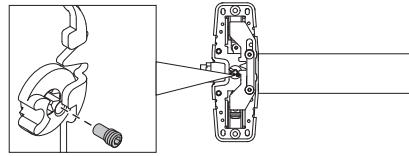


METAL	OR	WOOD
98/99 1/8" (3 mm) x 1" (25 mm) Deep 		
98/99-F #825 Through bolts (2) required 		

8 If necessary, remove NL drive screw.

NL drive screw

Factory installed on back of center case



With the NL drive screw removed, key locks and unlocks lever, knob, or thumb piece. For the trims listed below, **REMOVE** NL drive screw.

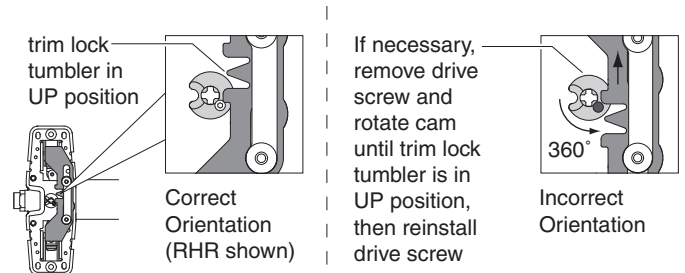
996L 696TP 990TP 996K 697TP

With the NL drive screw installed, key retracts latch bolt. **DO NOT** remove NL drive screw for the following applications:

NL, EO, DT trims and 98/99-2 double cylinder devices (i.e. TP-2, L-2, and K-2).

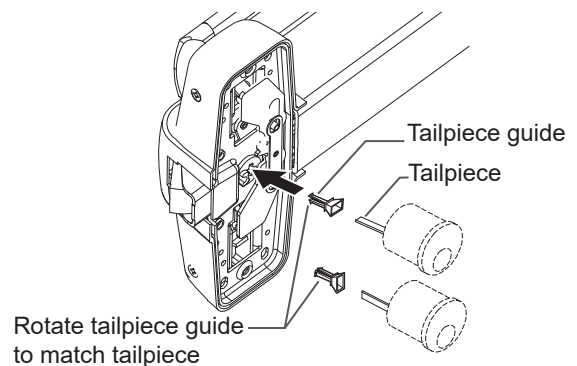
*996L-BE *E996L *M996L *696TP-BE *990TP-BE
 *996K-BE *E996L-BE *M996L-BE *697TP-BE

*The trim lock tumbler on the back of the device must be in the **UP** (unlocked) position before device is installed. This allows the trim to be unlocked at all times.

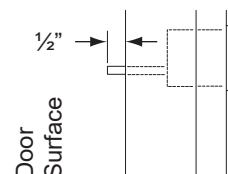


9 If using a cylinder with a tailpiece, prepare device and cylinder.

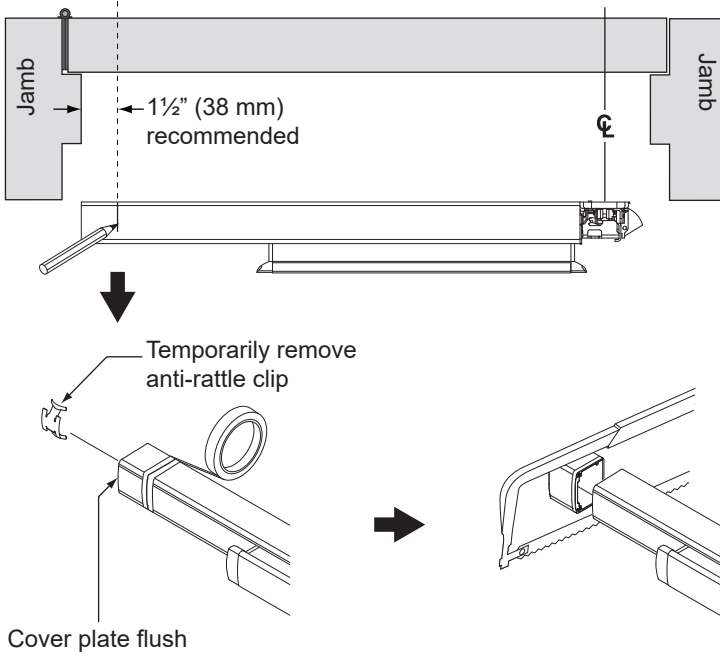
9a Install tailpiece guide.



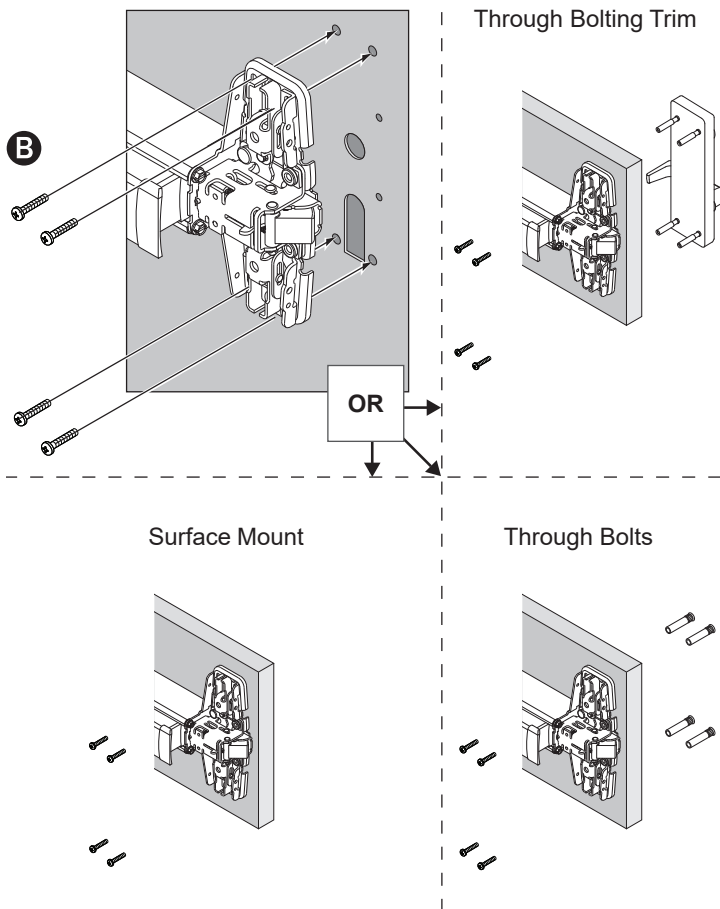
9b Cut tailpiece as needed.



10 If necessary, cut device.

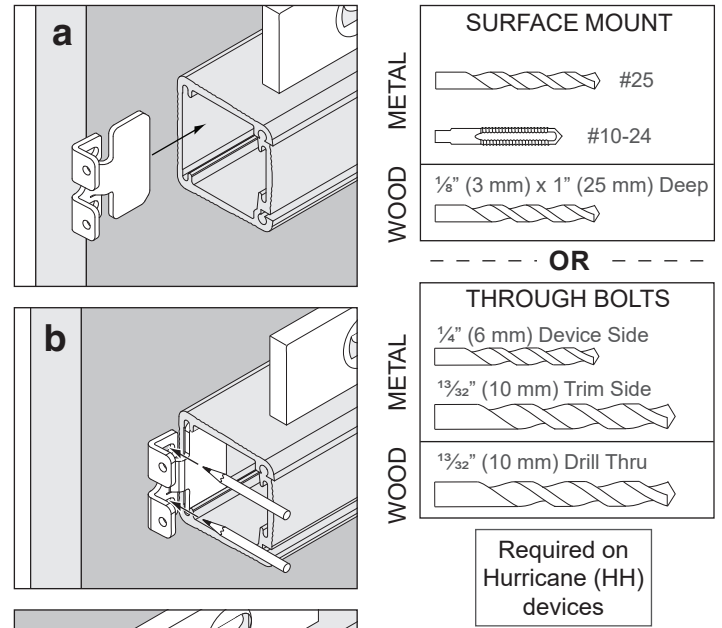


11 Attach center case to door.

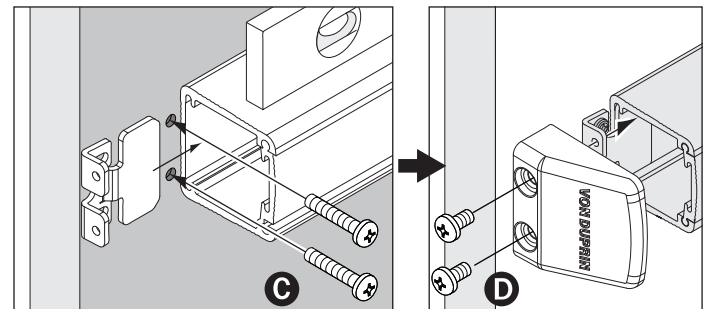


12 Mark and prepare two (2) holes.

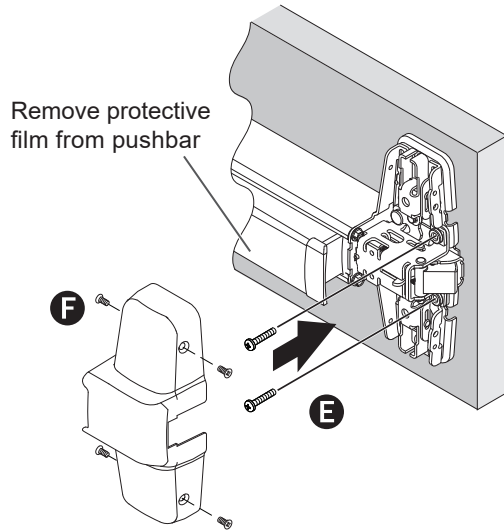
i Prepare holes after lock side of device is mounted and hinge side is leveled.



13 Install end cap bracket and end cap.

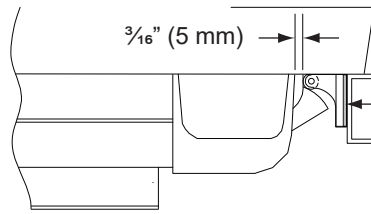


14 Install required support screws and center case cover.

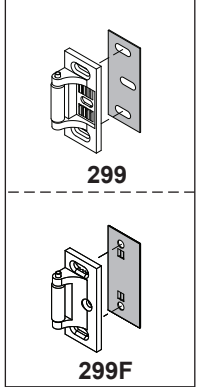


15 Adjust strike as needed.

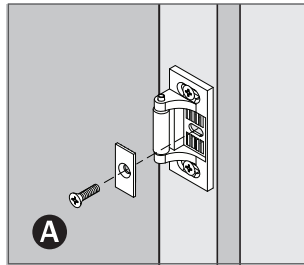
299/299F Strike



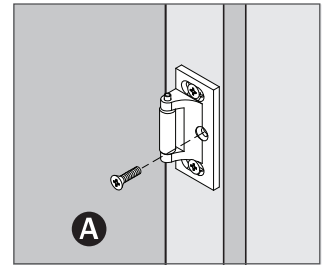
Shim as needed



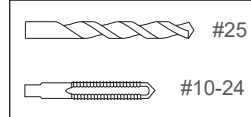
16 Install strike support screw.



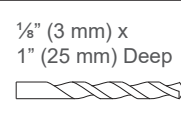
OR



METAL

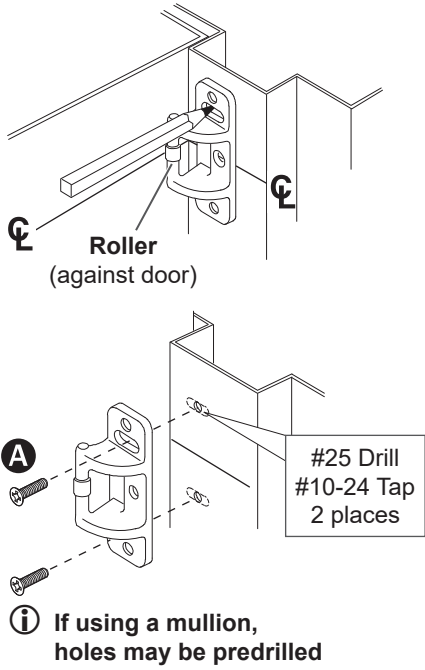


WOOD

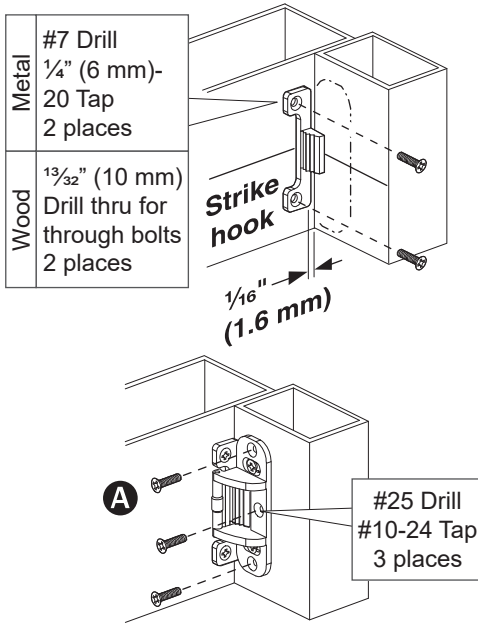


499F STRIKE INSTALLATION

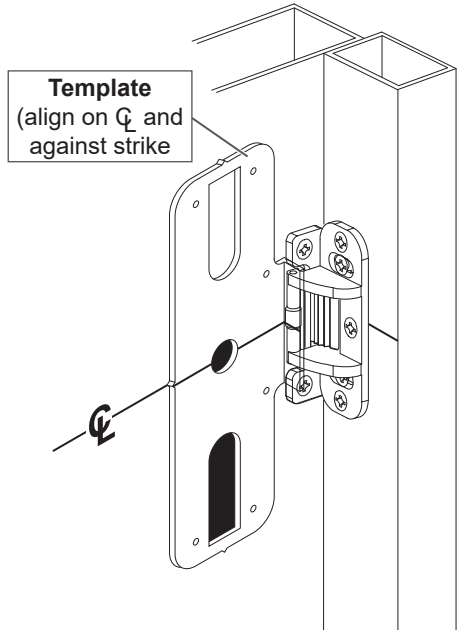
1. Prepare and install screws through two strike slots.



2. Install strike hook and additional strike screws.



3. Template aligns as shown.



CD (CYLINDER DOGGING) OPTION

