



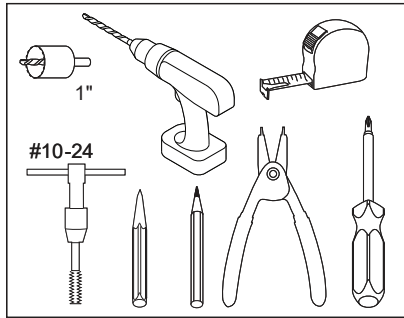
48005150

E780L FS/FSE

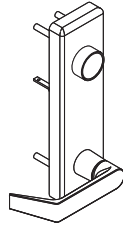
VON DUPRIN®

780 Electrified Trims

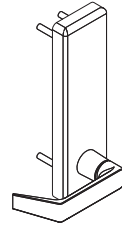
Installation Instructions



E780L-FS/FSE



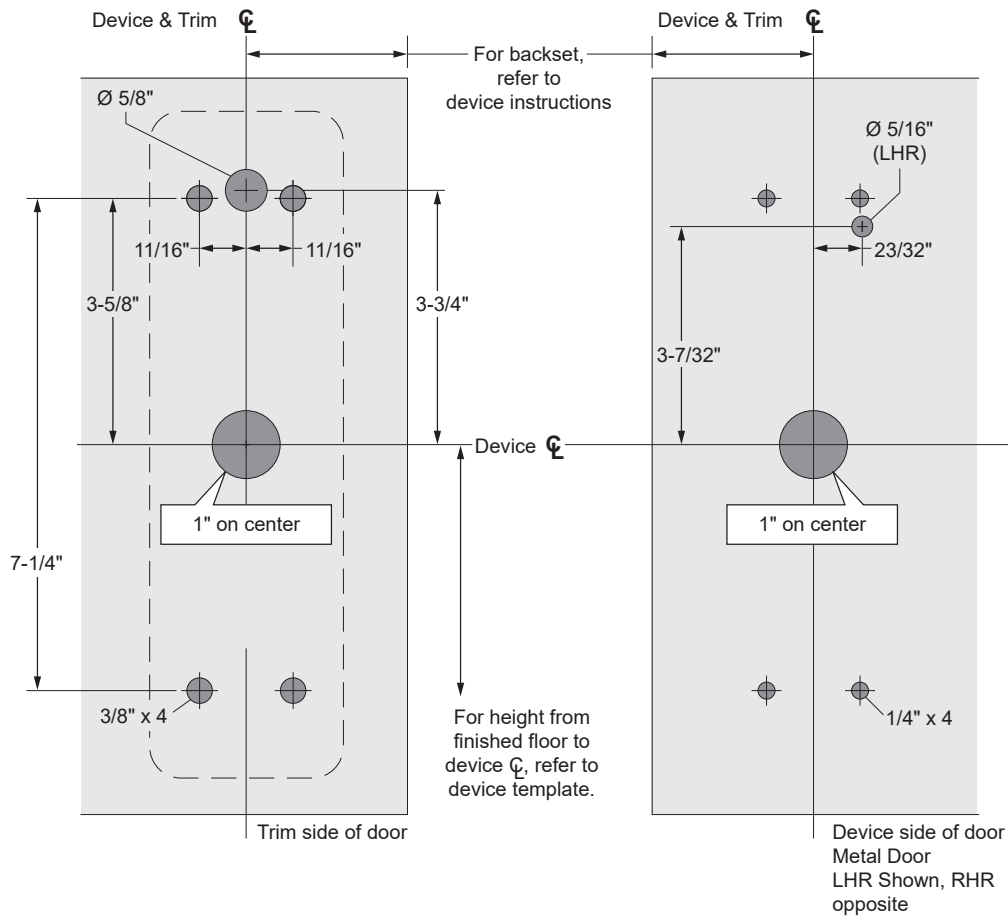
E780L-BE-FS/FSE



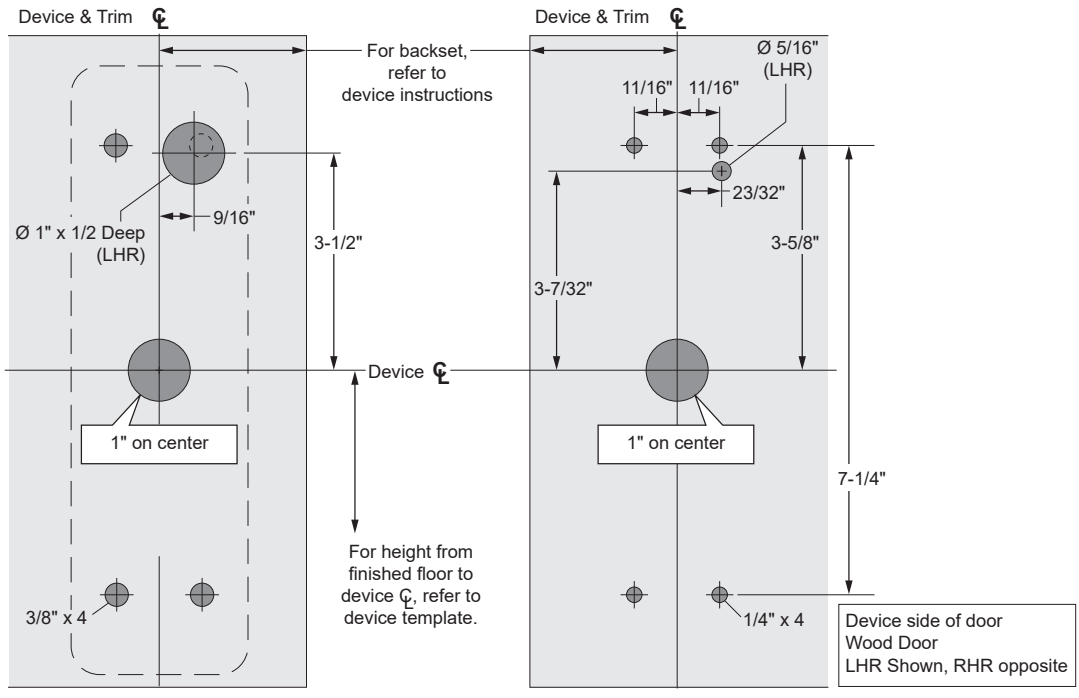
1 Prepare Door (LHR Shown)



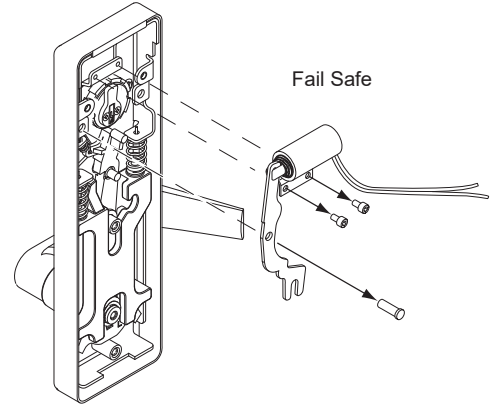
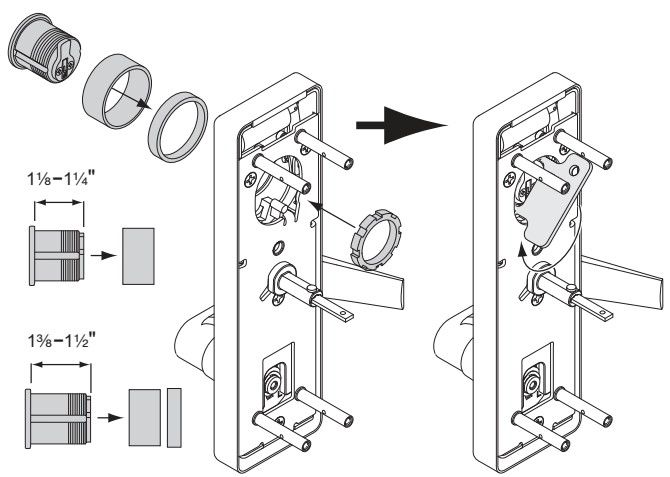
Use plastic template from device package if available.



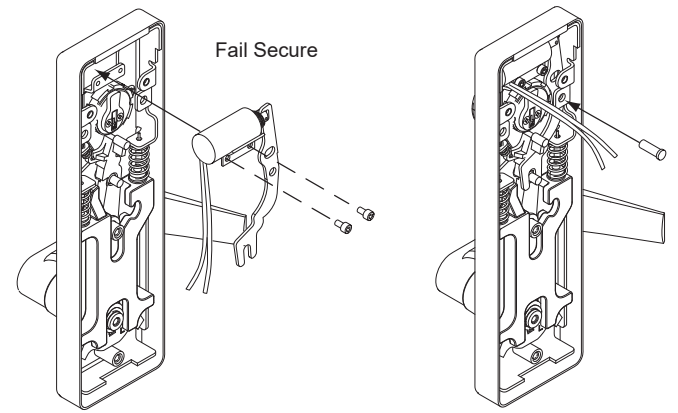
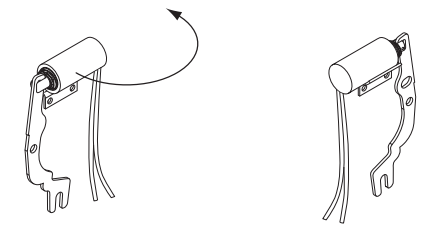
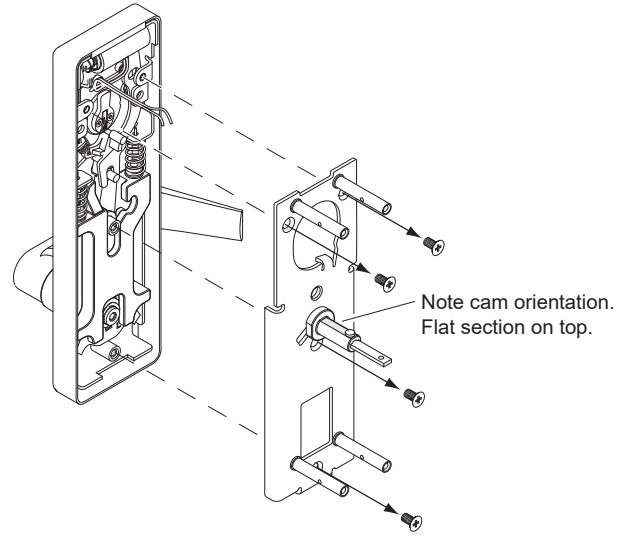
(Wood door template on next page)



2 If Necessary, Install Cylinder

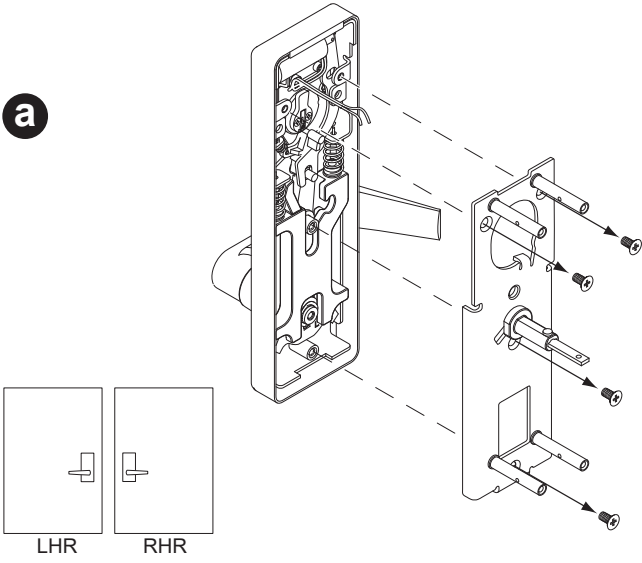


3 Optional: Change Trim From Fail Safe to Fail Secure

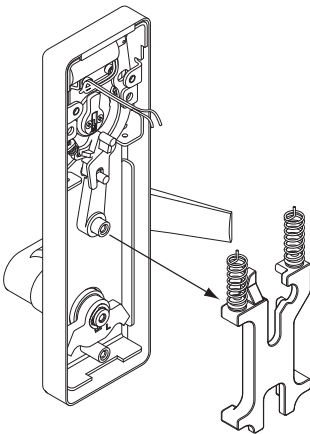


4 If Necessary, Reverse Handing

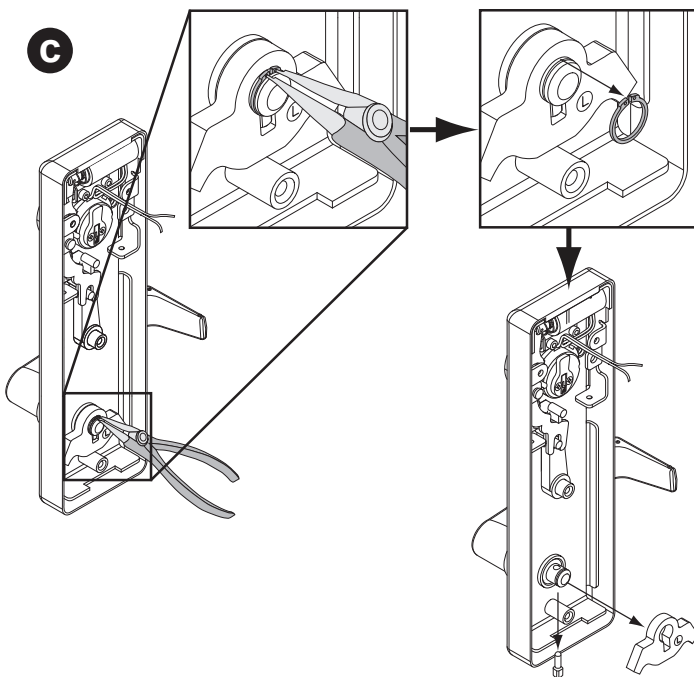
a



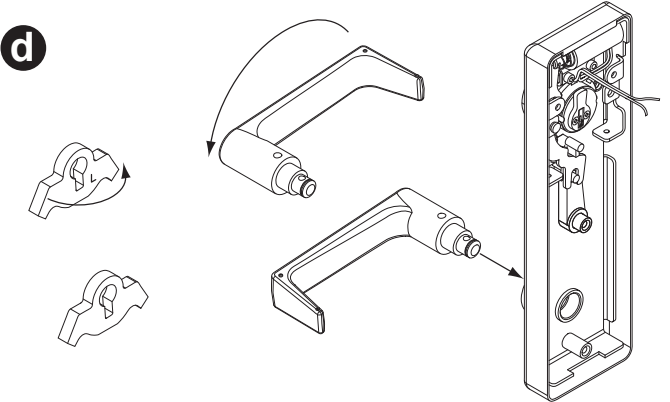
b



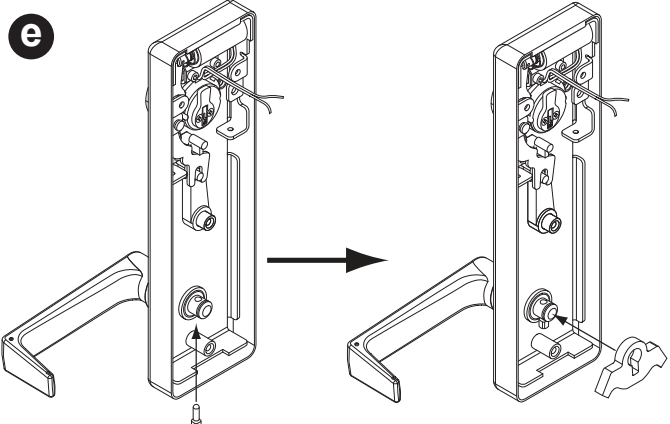
c



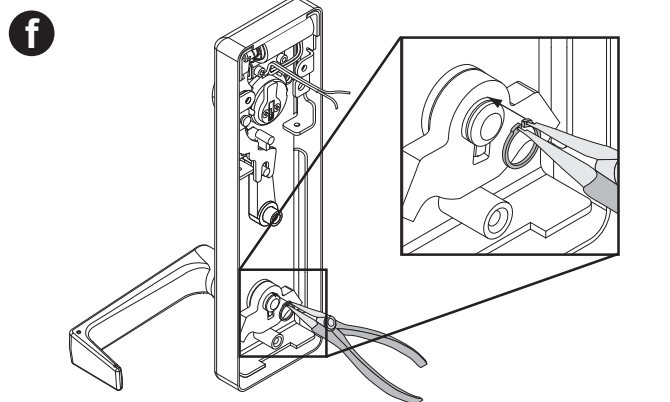
d



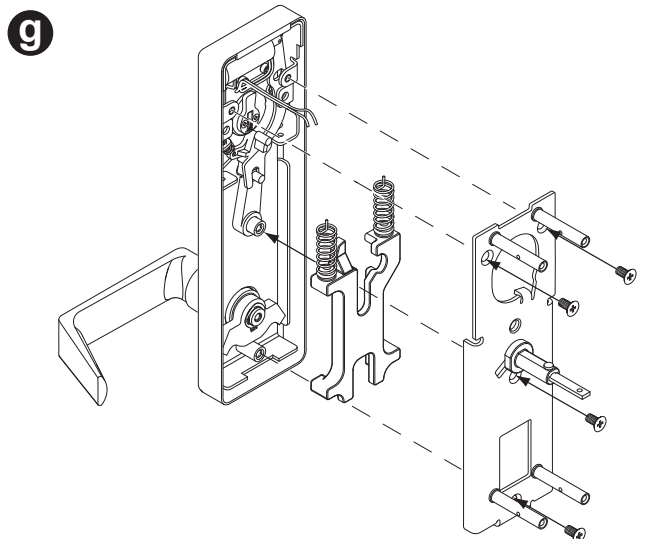
e



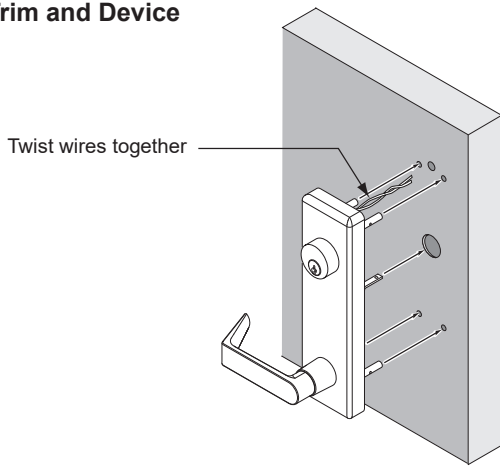
f



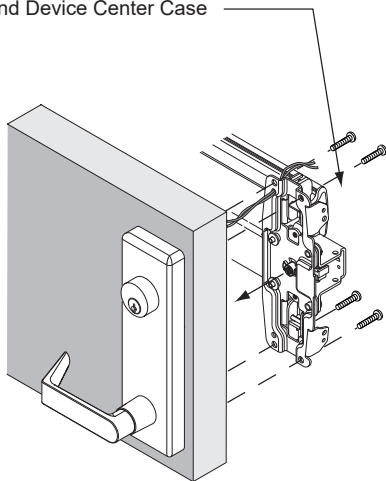
g



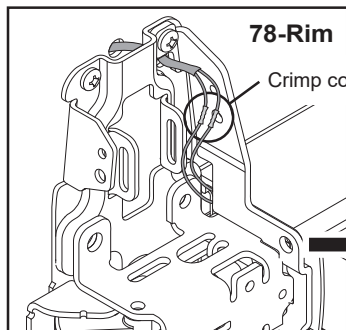
5 Connect Trim and Device



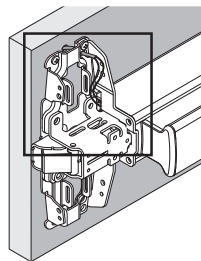
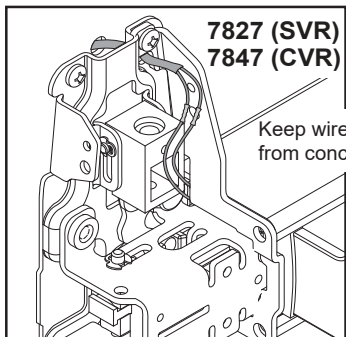
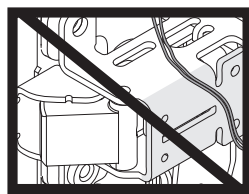
Route Wires Through Door and Device Center Case



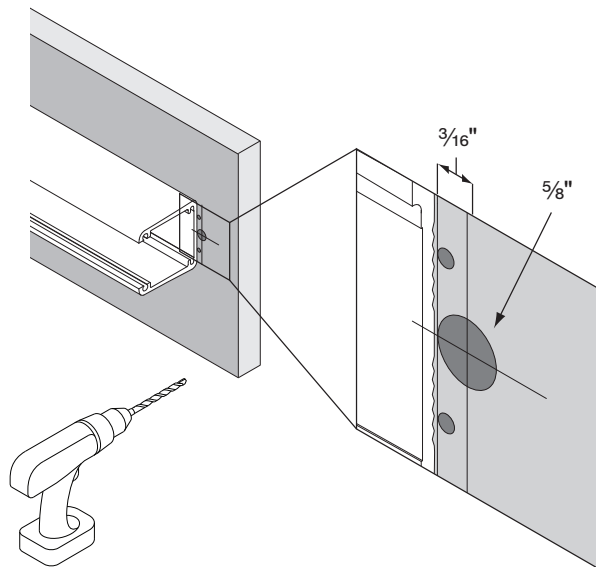
Route Wires To Top of Center Case



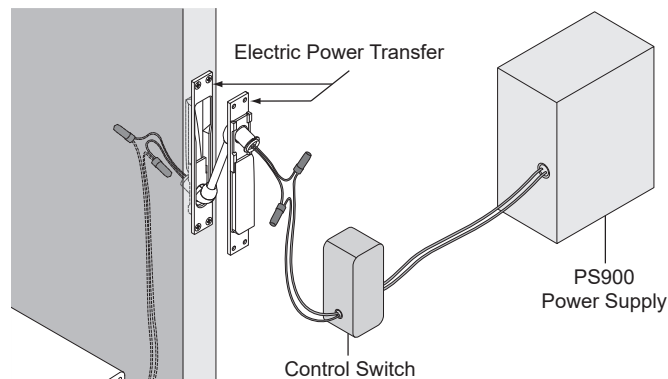
Do **NOT** cross wires over center case chassis



6 Drill Door for Wires



7 Connect Wires to Switch and Power Transfer



Electrical Requirements

24 Volts DC, .34 Amps

Two non-polarized wires (18 AWG minimum)