



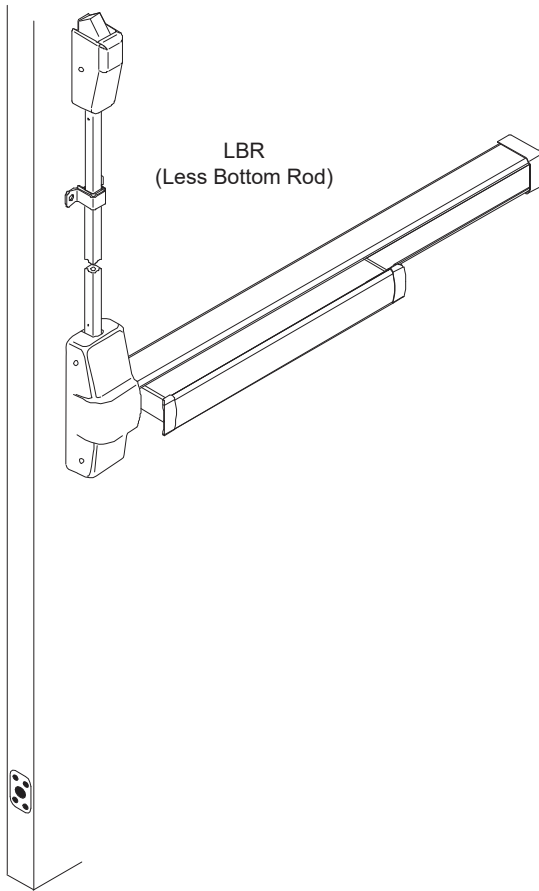
911010-00

Fire Pin/Strike Kit

LBR

VON DUPRIN®

Installation Instructions



WARNING

For surface vertical rod installations, incorrect strike installations can result in latching failure in a fire condition. This can result in severe injury or death.

Installer: Discard installed strikes and replace with correctly installed 499F strikes supplied with this kit. Failure to install the 499F strikes on Surface Vertical Rod LBR-F devices will void the UL Fire Label.

Important: Read this first!

1. LBR Fire Pin/Strike Kit is for use only with Von Duprin 98/9927-F, 98/9947-F, 94/9547-F, 7827-F, 7847-F, 7527-F, 7547-F, 33/3527A-F, 33/3547-F, 33/3547A-F, and 2227-F devices.
2. Any door preparation must be performed by an installer that is certified by the door manufacturer.
3. Installation of device with 499F strike for surface vertical rod devices, and 338 strike for concealed vertical rod devices is required to maintain fire listing. **For 499F installation, see page 3 of these instructions.**

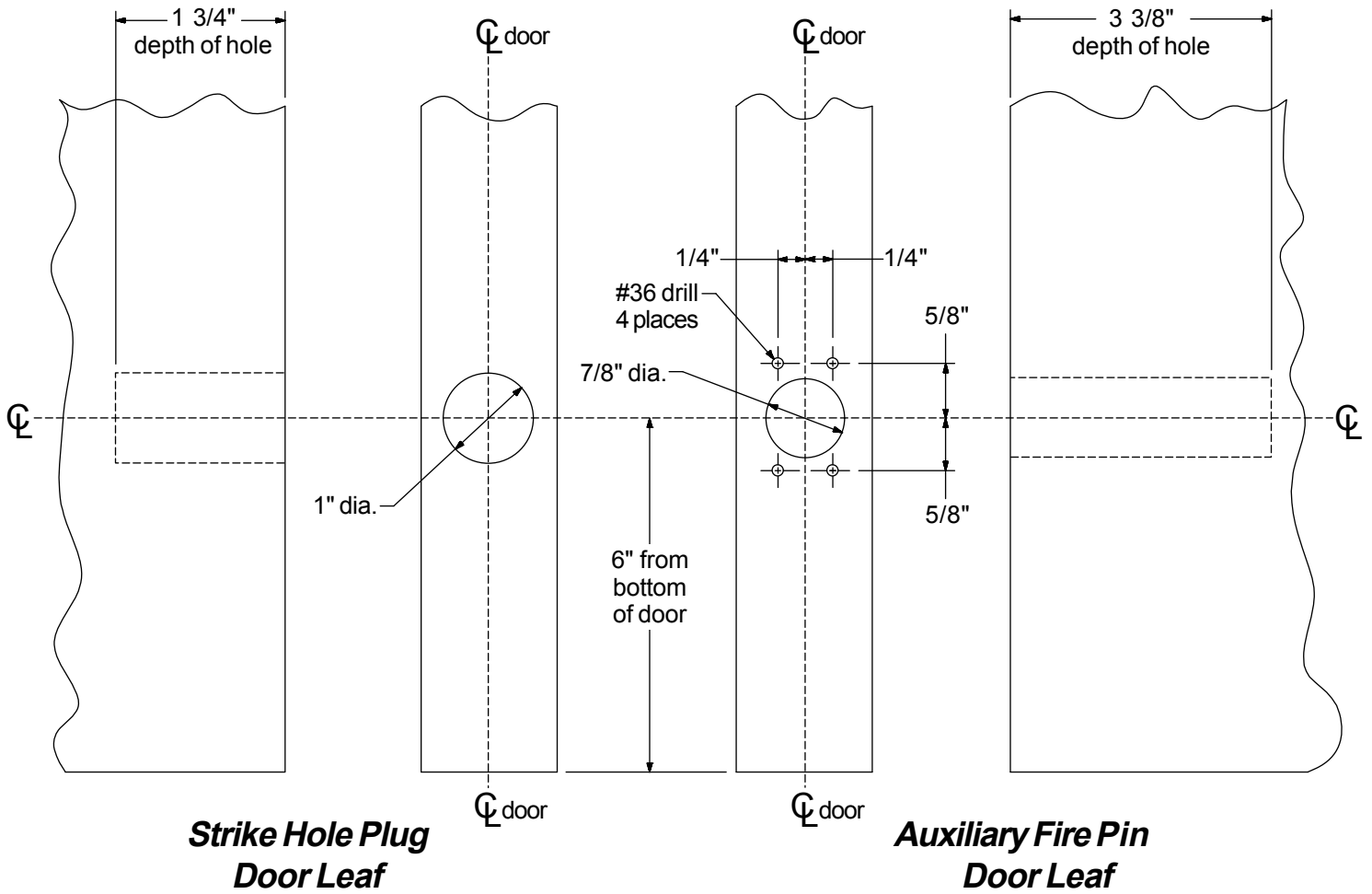
Parts List	
Description	Quantity
Auxiliary Fire Pin Assembly	1
#6 x 3/4" Sheet Metal/Wood Flat Head Screw	4
Strike Hole Plug	1
499F Strike Assembly	2
Return Spring	2
Centercase Hole Plug	2

NOTE

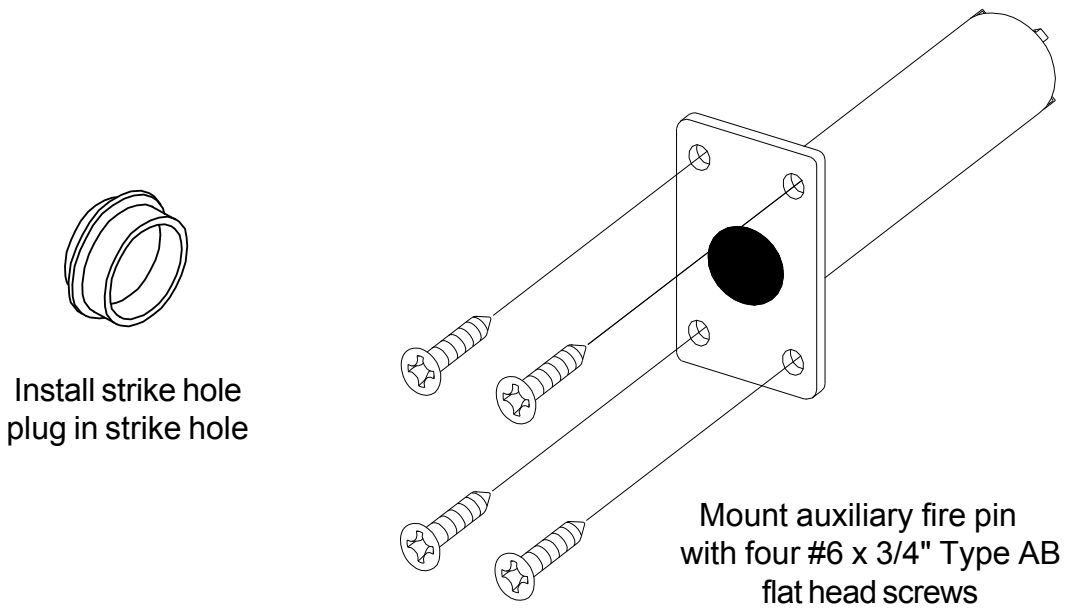
One (1) auxiliary fire pin assembly is supplied with two LBR devices. It does not matter which door leaf the auxiliary fire pin is installed on. However, the pin must be installed to maintain the fire listing. The purpose of the auxiliary fire pin assembly is to keep the doors in alignment during a fire. In a fire, the bolt extends from the auxiliary fire pin into the strike hole in the opposite door leaf. The black cap visible on the face of the auxiliary fire pin and the strike hole plug must melt in order for the bolt to extend. If an Edge Guard is used, make sure it is modified to allow clearance for the Fire Pin and Plastic Cap to be mounted to the door edge after the Edge Guard is installed. See Edge Guard Preparation on page 4 for more information.

INSTALLATION

1 Prepare auxiliary fire pin mounting hole, screw holes, and strike hole in door.



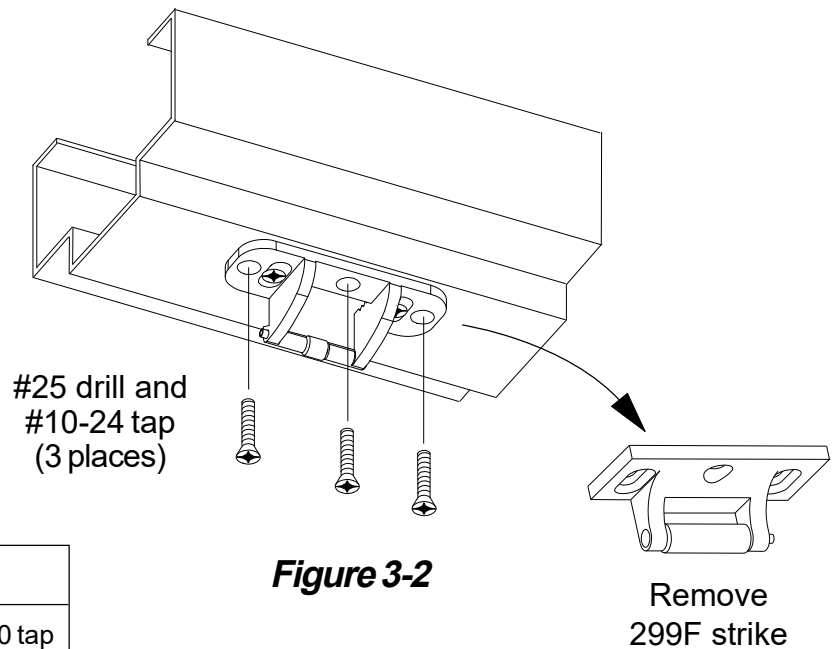
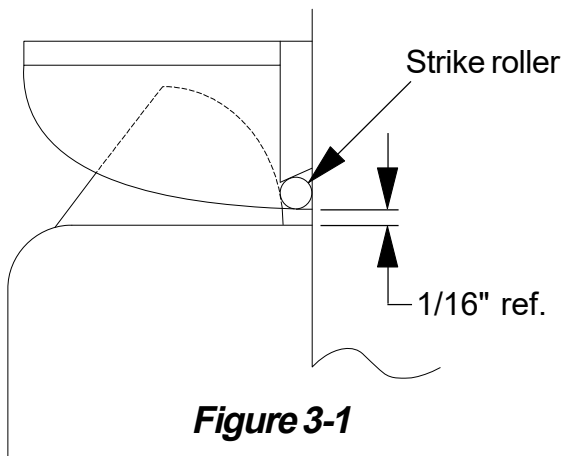
2 Install strike hole plug and auxiliary fire pin.



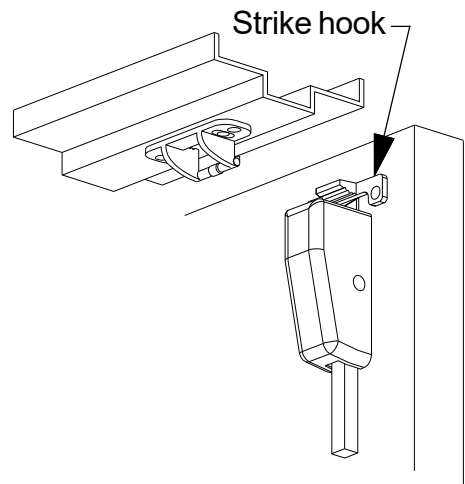
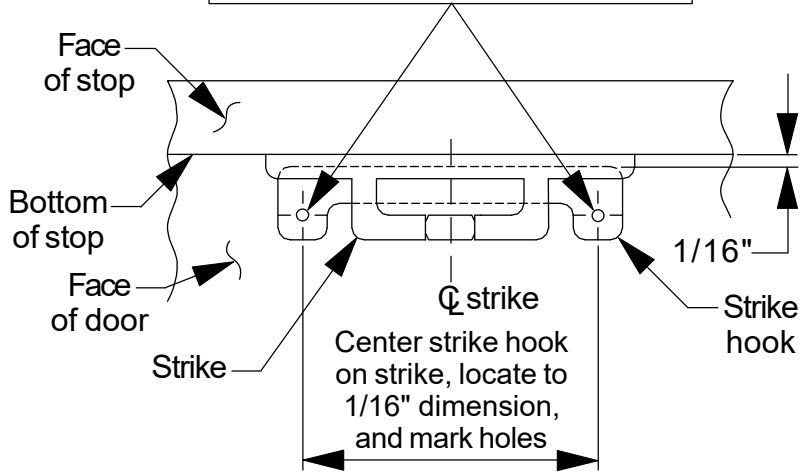
3 Install 499F strike.

NOTE
 The 499F strike installation is only for 98/9927-F-LBR, 7827-F-LBR, 7527-F-LBR, 33/3527A-F-LBR, and 2227-F-LBR devices. For concealed vertical rod LBR devices, skip this procedure.

- 3.1. Replace 299F strikes with 499F strikes as shown below.
- 3.2. Adjust 499F strike to position shown in Figure 3-1.
- 3.3. Install remaining three screws (see Figure 3-2).
- 3.4. Prepare door for strike hook (see Figure 3-3) and install strike hook. Figure 3-4 shows relative positions of strike, strike hook, and top latch.



Hole Schedule	
Metal door:	#7 drill and #1/4"-20 tap
Wood door:	13/32" dia. drill thru



EDGE GUARD PREPARATION

If using Edge Guards, clearance holes must be cut into Edge Guards before they are installed on door as shown in Figure 4-1.

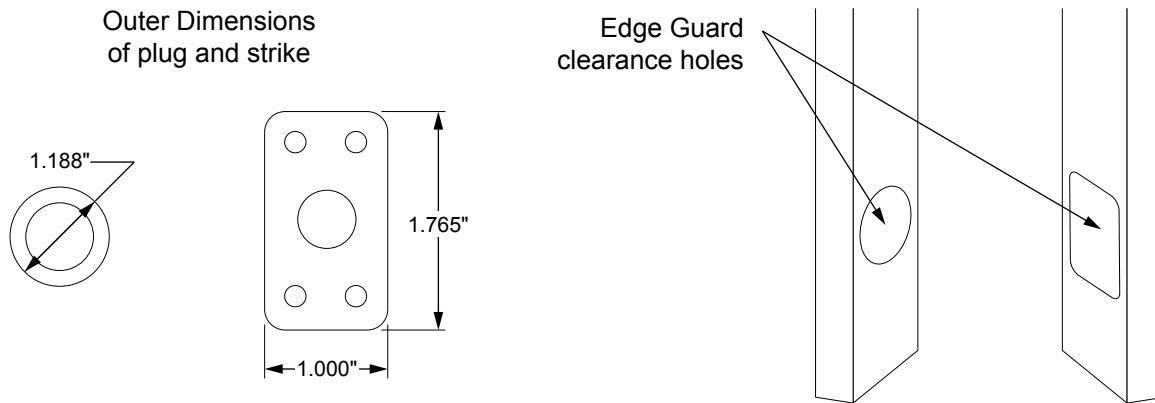


Figure 4-1

Edge guard near exit device center case can extend no further than .0625" from edge of door, as shown in Figure 4-2, or interference with device center case could occur. If Edge Guard is wider than specified, it may need to be trimmed in that area to clear center case.

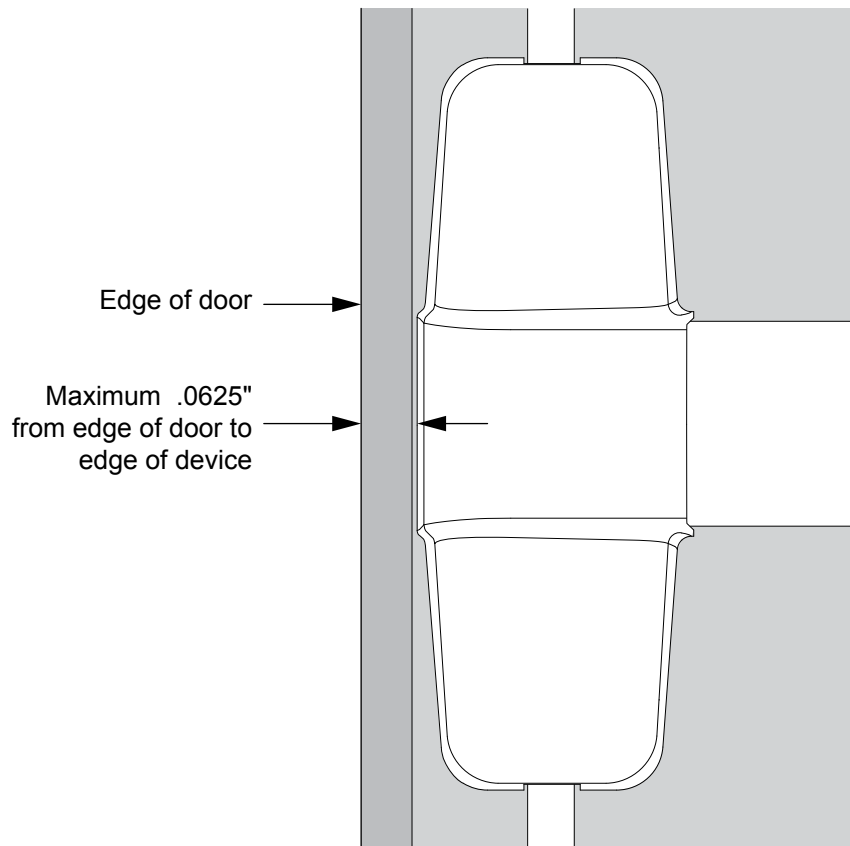


Figure 4-2

RETURN SPRING REPLACEMENT

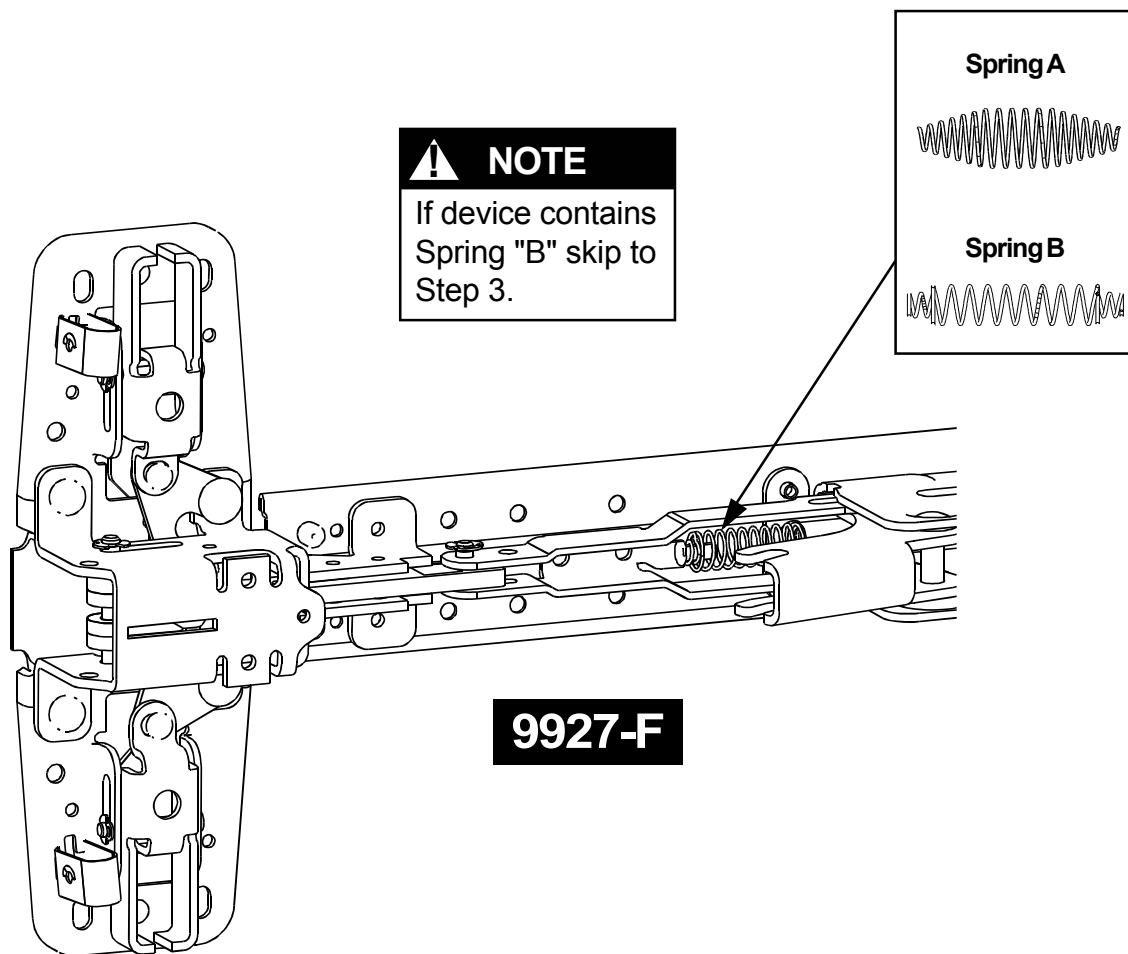


WARNING

Installation of the wrong spring can result in latching failure in a fire condition. This can result in severe injury or death.

Installer: Make sure correct return spring is installed per instructions below.

- 1 Determine which spring the device baseplate contains comparing to the following two springs:



- 2 Remove return spring "A" and replace with spring supplied in kit.

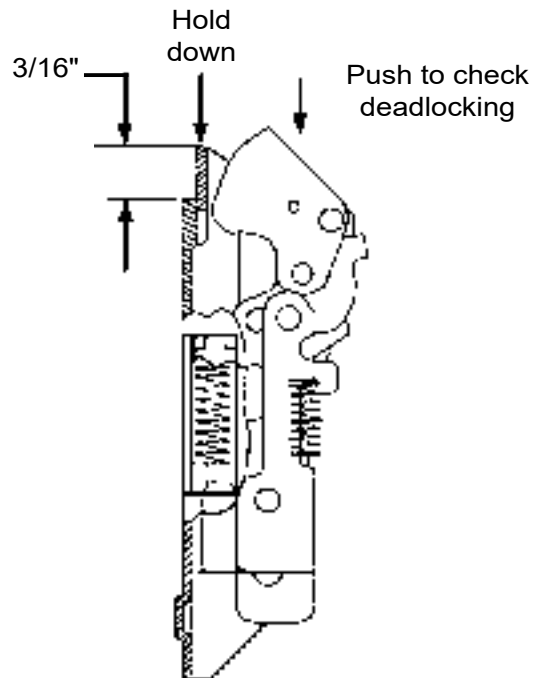
- 3 Repeat steps 1 and 2 for device on other door leaf.

- 4 Reinstall devices.

VERTICAL ROD ADJUSTMENT PROCEDURE

**33/3527A-F-LBR, 98/9927-F-LBR, 2227-F-LBR,
7527-F-LBR, & 7827-F-LBR**

- 1** Screw top vertical rod to top latch case.
- 2** Push rod upward slowly until it has fully extended top latch bolt to achieve deadlocking as shown.
- 3** Adjust top vertical rod until rod snaps into centercase.

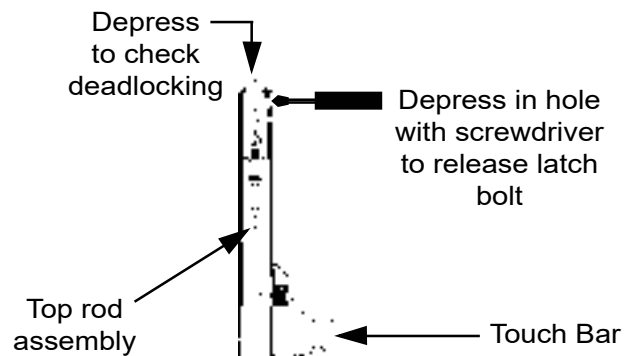
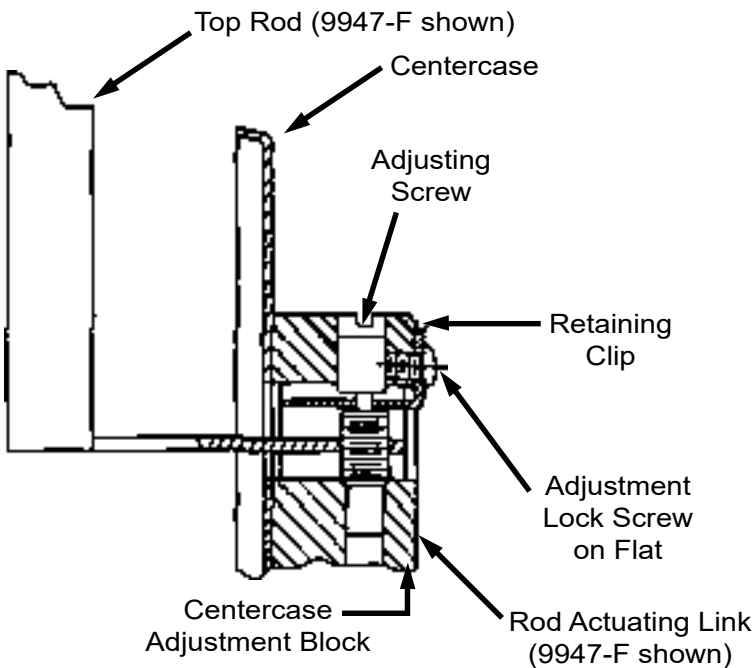


- 4** Check device operation by opening and closing door with outside lever or thumbpiece.

VERTICAL ROD ADJUSTMENT PROCEDURE

33/3547A-F-LBR, 94/9547-F-LBR, 98/9947-F-LBR, 7547-F-LBR, & 7847-F-LBR

- 1 Loosen top adjustment lock screw.
- 2 Rotate adjusting screw clockwise until centercase adjustment block begins to move down and top latch bolt is fully extended (do not remove retaining clip).
- 3 Set adjusting screw as shown. Tighten adjustment lock screw.

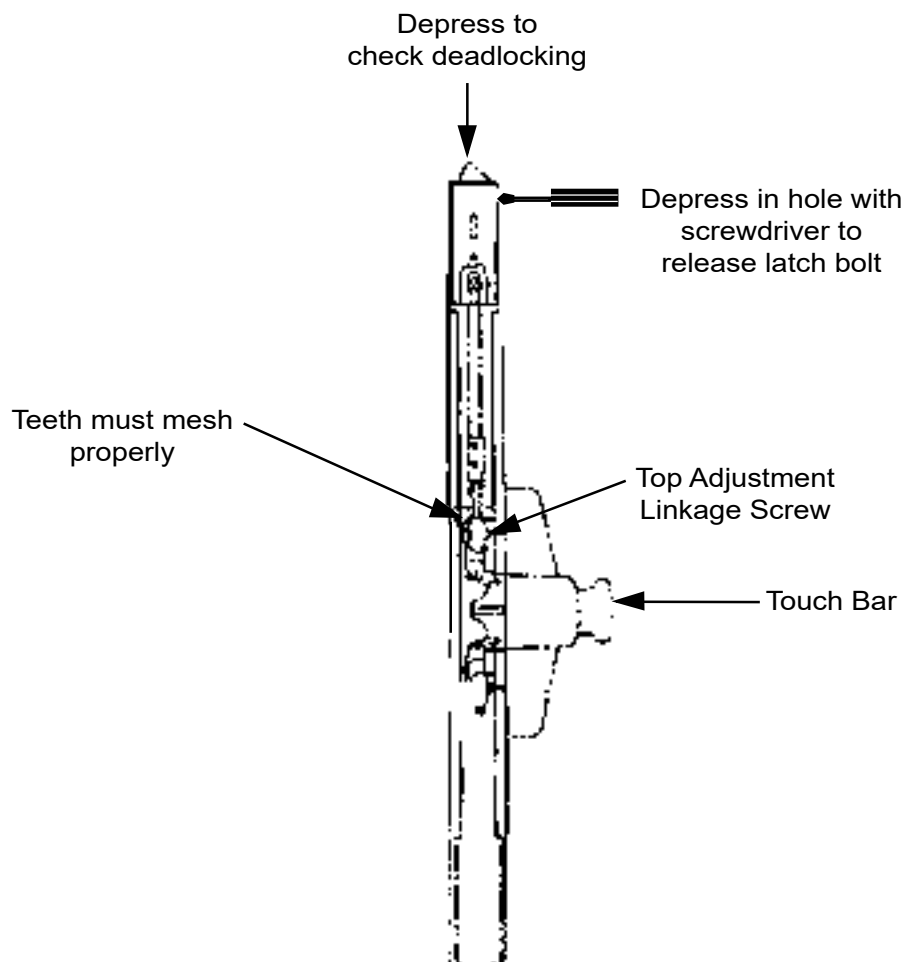


- 4 Check device operation by opening and closing door with outside lever or thumbpiece.

VERTICAL ROD ADJUSTMENT PROCEDURE

3347-F-LBR & 7547-F-LBR

- 1 Loosen top adjustment linkage screw on top connector as shown in the diagram.
- 2 Fully extend latch bolt. Retighten top adjustment linkage screw.
- 3 Open door and release pushbar. Top latch bolt should be held retracted.
- 4 Release latch bolt as shown.
- 5 Check deadlocking.



- 6 Check device operation by opening and closing door with outside lever or thumbpiece.

Customer Service

1-877-671-7011 www.allegion.com/us



© Allegion 2024
Printed in U.S.A.
911010-00 Rev. 04/24-g