



941057-00

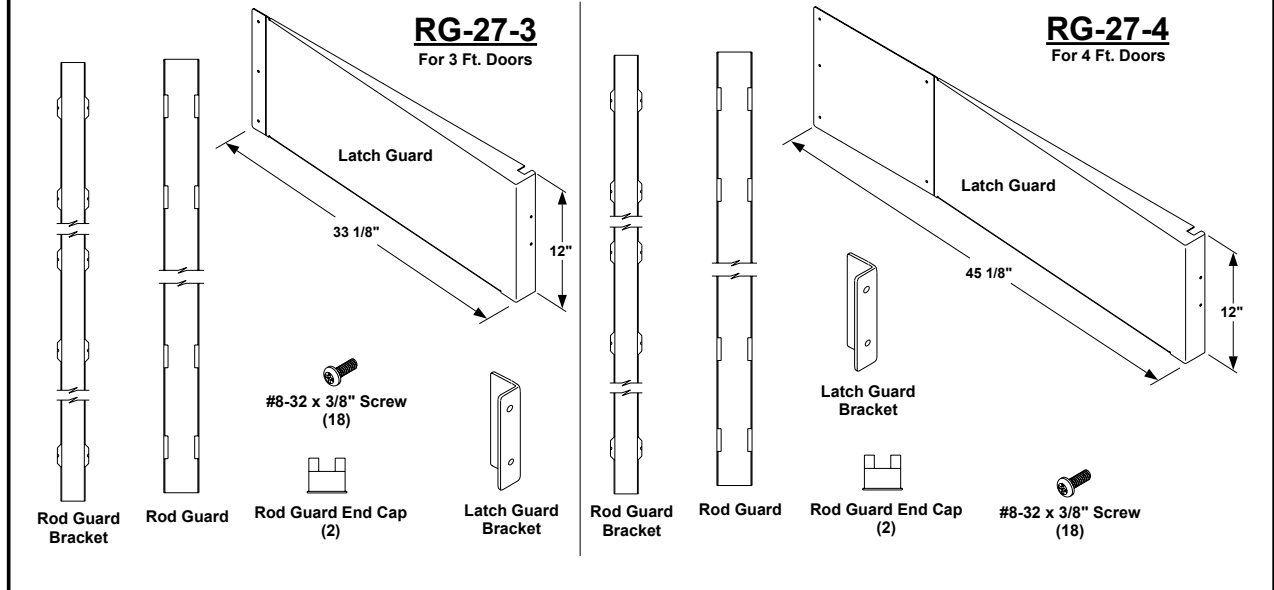
Latch & Rod Guards

RG-27-3/RG-27-4

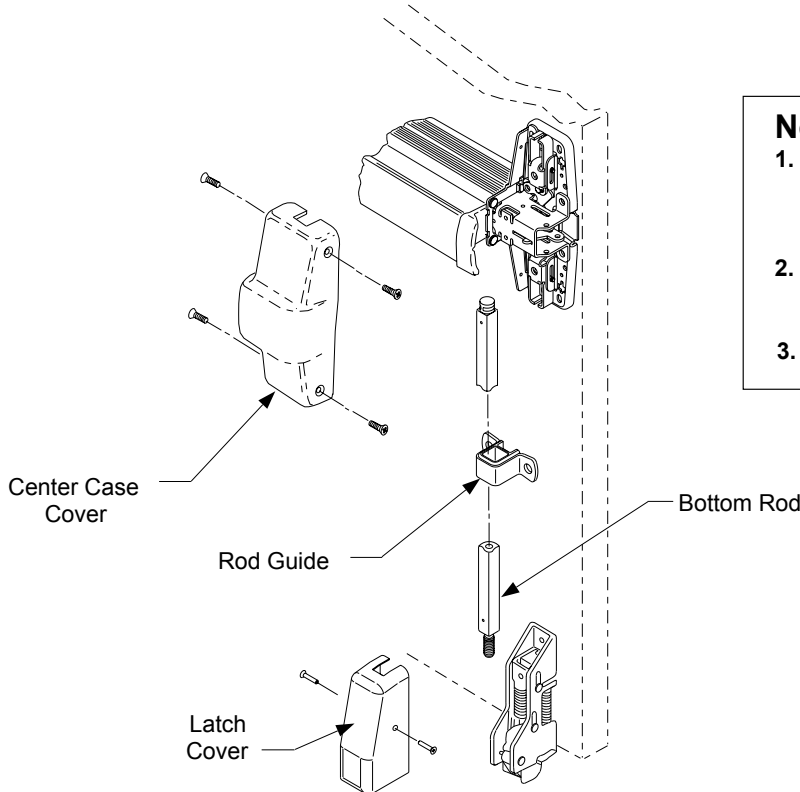
VON DUPRIN

Installation Instructions

This assembly includes the following parts:



Step 1 Remove Center Case Cover, Rod Guide Cover, Rod Guide, Latch Cover and Bottom Rod.



Notes:

1. For Fire Door applications, this product can be used on hollow metal or metal clad composite fire doors only.
2. This latch guard will cover a bottom latch that projects as far as 1 13/16" from the door.
3. RHR shown, LHR opposite.

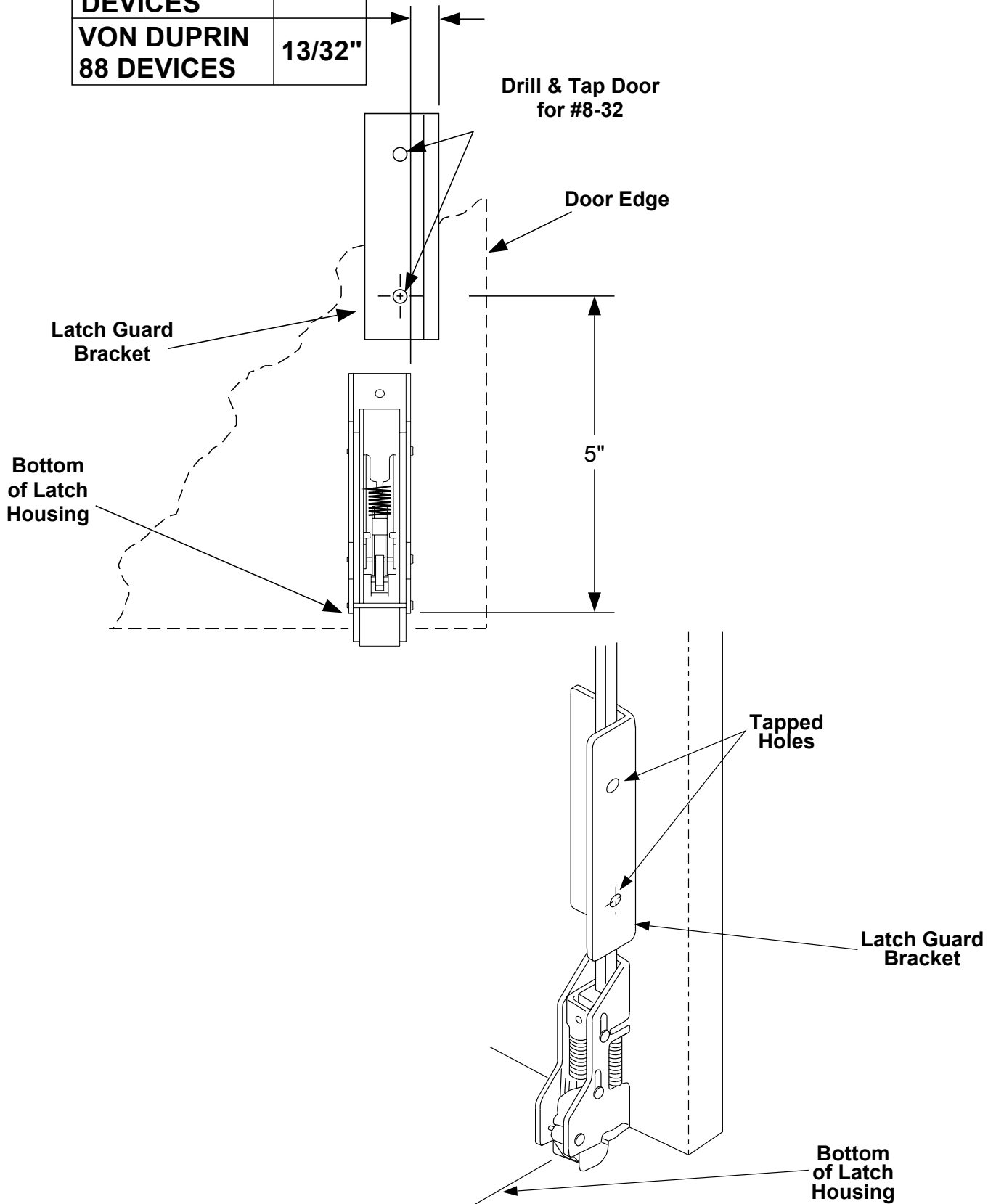


Customer Service
 1-877-671-7011 www.allegion.com/us

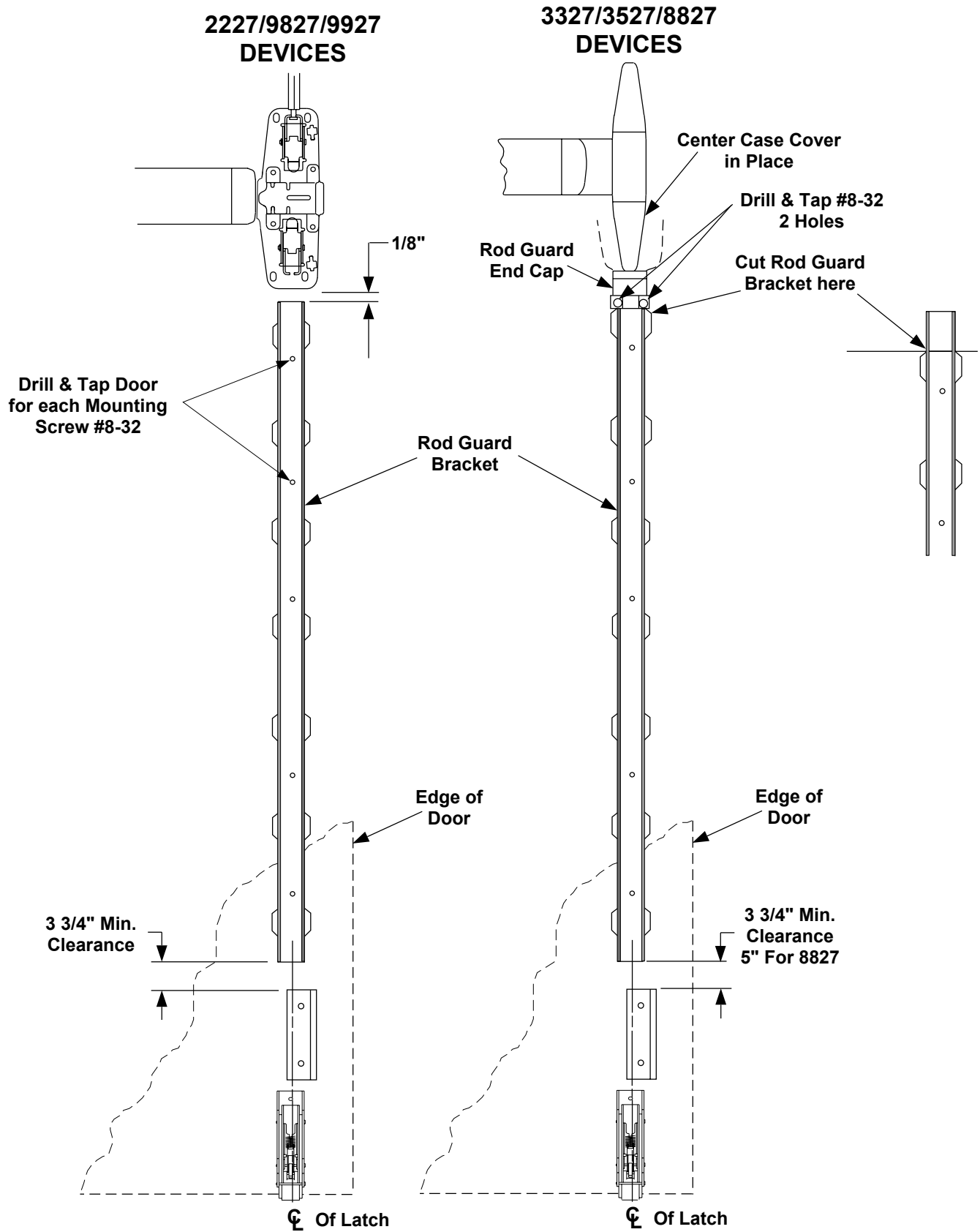
Step 2

Locate and install Latch Guard Bracket. Use the bracket as a template for drilling holes.

VON DUPRIN 22/33/35/98/99 DEVICES	9/32"
VON DUPRIN 88 DEVICES	13/32"



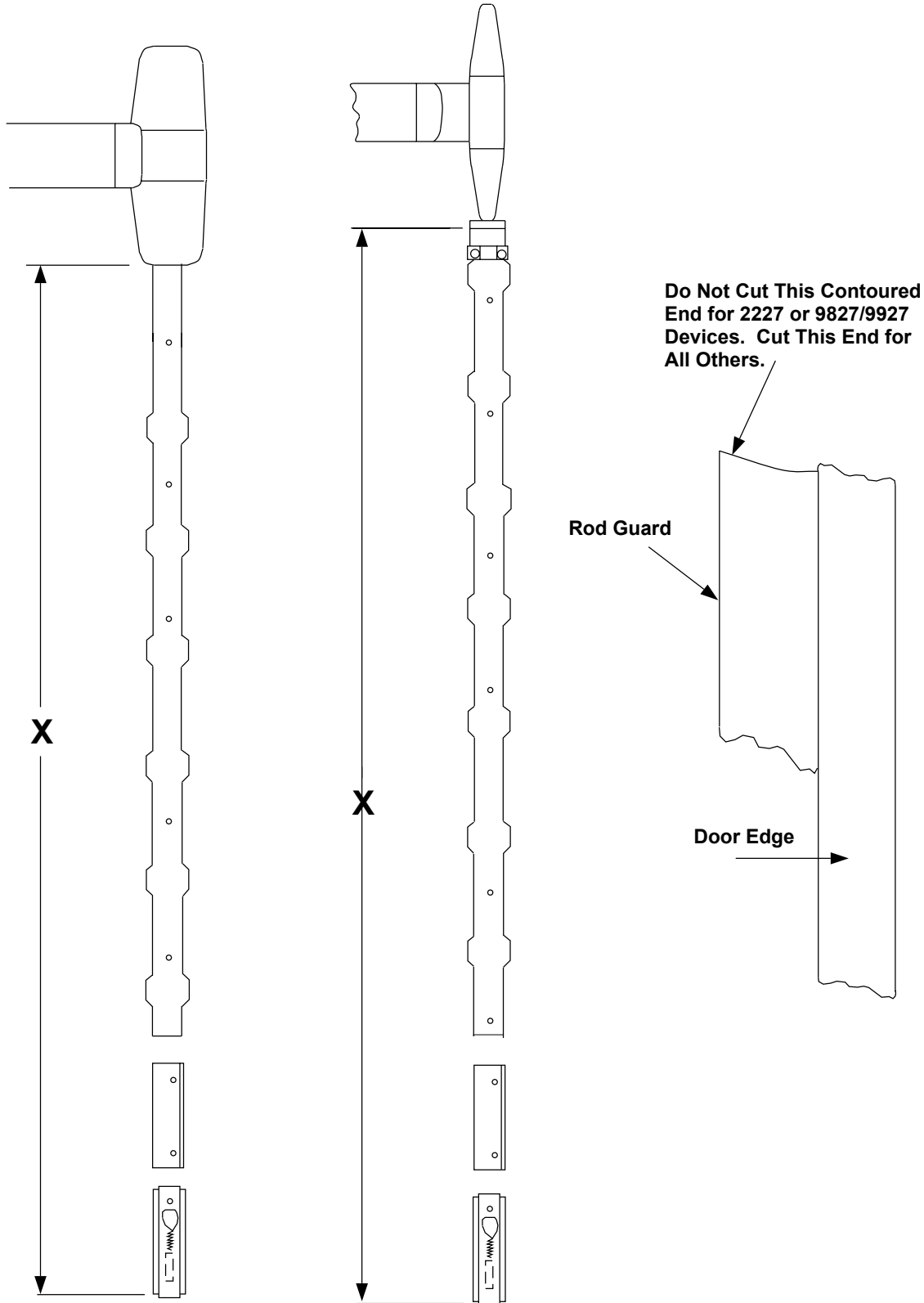
Step 3 For 2227 and 9827/9927 devices, cut Rod Guard Bracket to proper length & install along vertical centerline of device.



Step 4 Cut Rod Guard to size. Measure distance "X *with the Center Case covers* in place and cut Rod Guard 12" shorter. Cut 12 1/16" shorter for 8827 devices. Remove Center Case covers and Rod Guard End Cap (if applicable) after measurements are complete.

2227/9827/9927

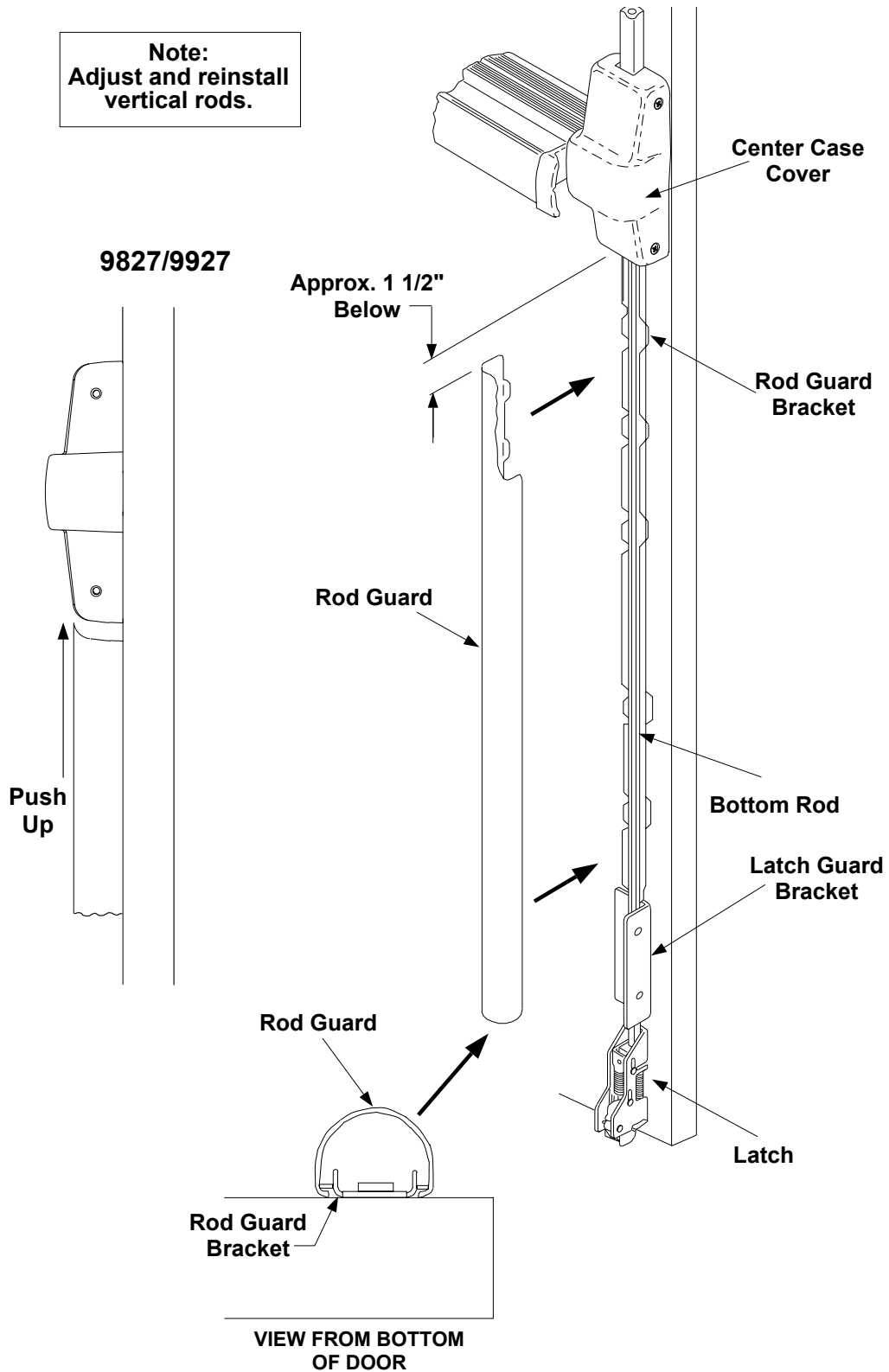
3327/3527/8827



Step 5

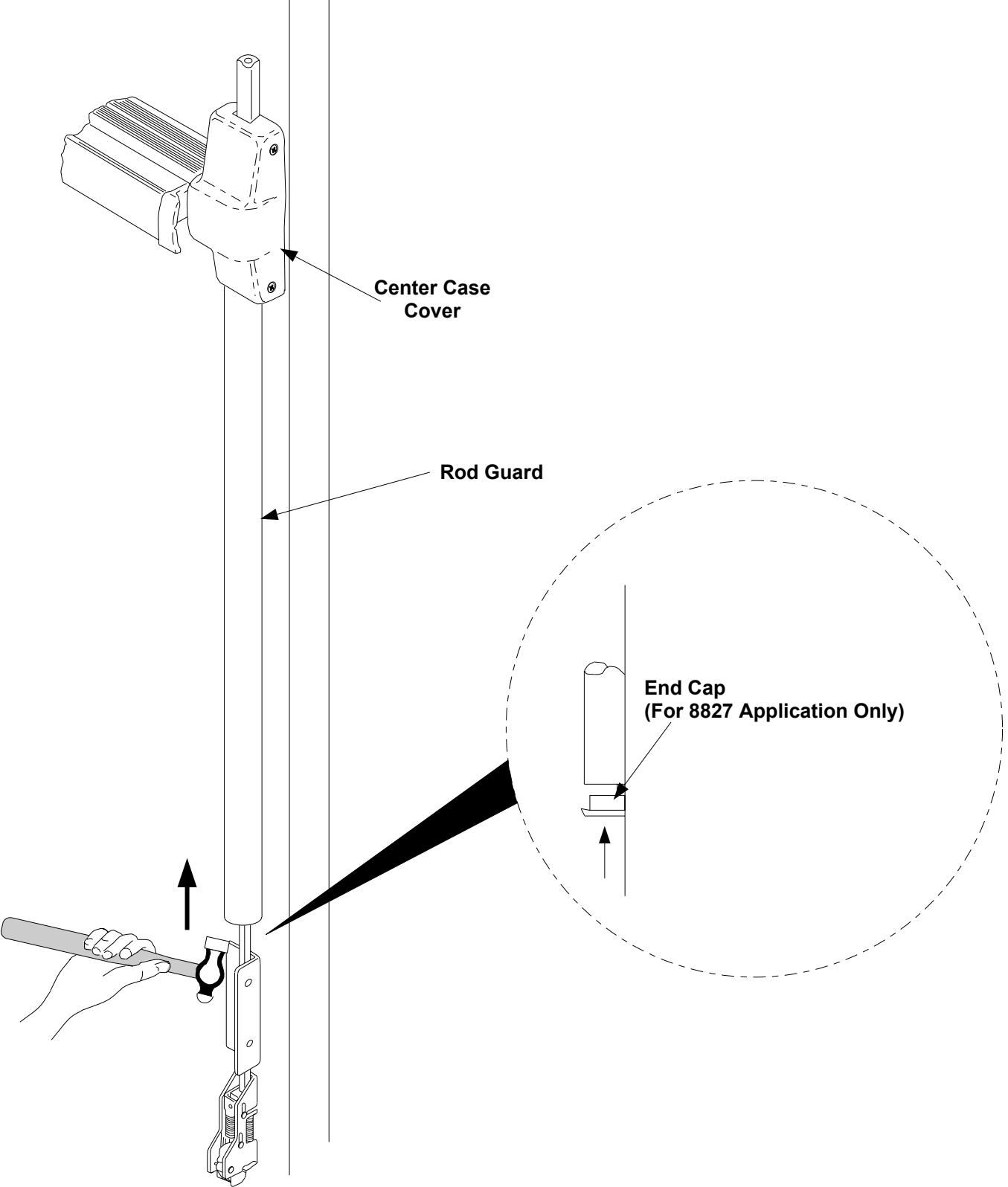
Reinstall bottom Rod and Center Case Cover. For 3327, 3527 & 8827 devices, reinstall Rod Guard End Cap over Rod as shown in Step 3. Lay Rod Guard on door and push it upward toward device.

Note:
Adjust and reinstall vertical rods.



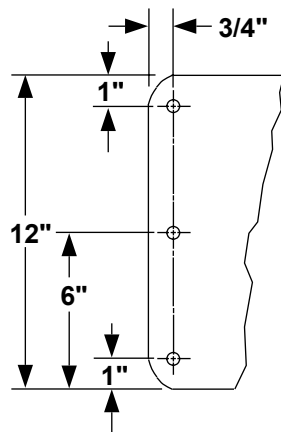
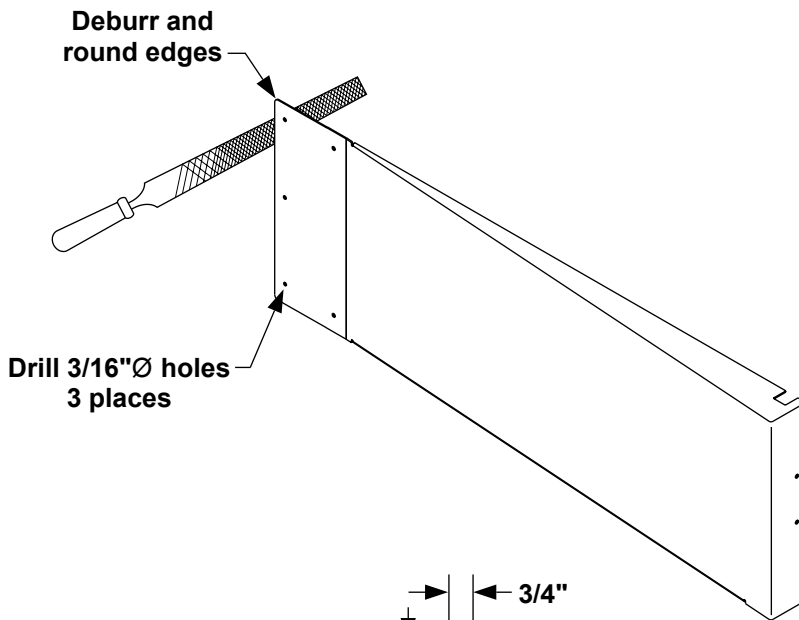
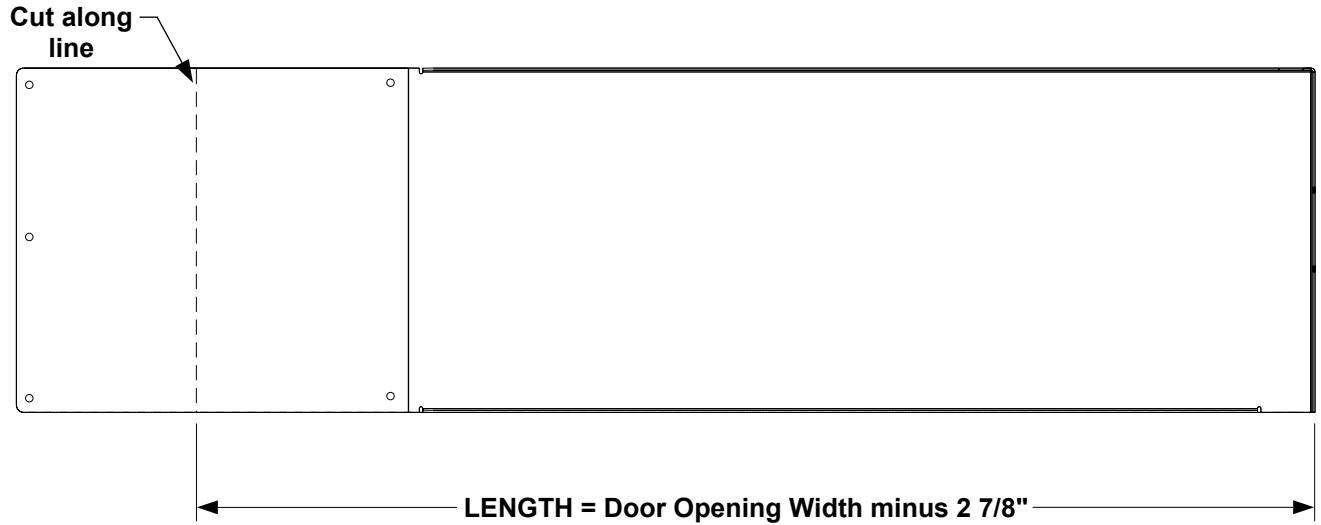
Step 6

While holding Rod Guard in place, tap it lightly with a hammer until it meets the device Center Case. For 8827 devices, slide additional End Cap inside Rod Guard & hold until Latch Guard is installed.

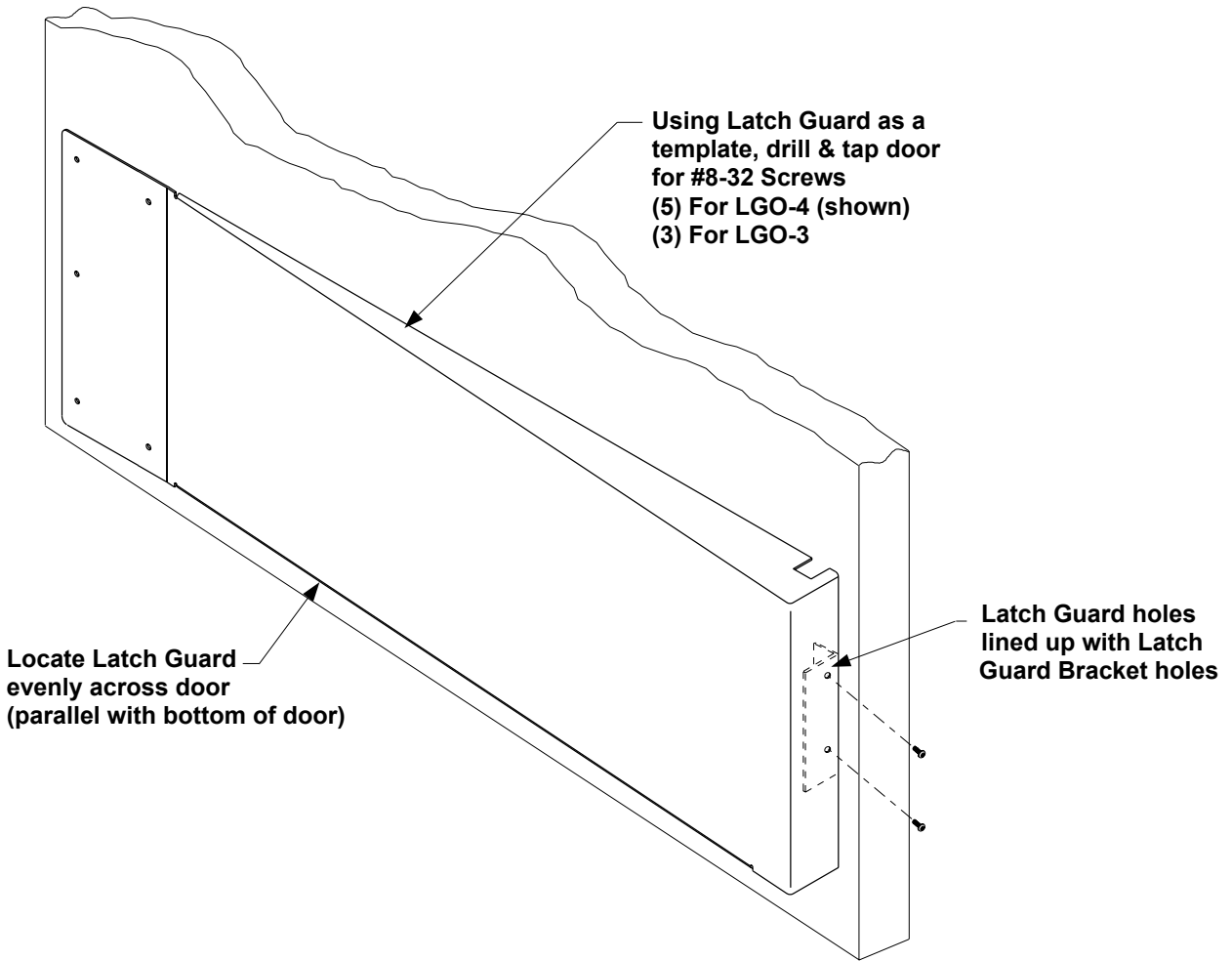


Step 7

Modify 4 ft. Latch Guard for door widths between 3 and 4 feet. If cutting is not necessary, skip to Step 8.



Step 8 Locate Latch Guard and prep door.



Step 9 Install Latch Guard.

