



941023-00

55 & 5547

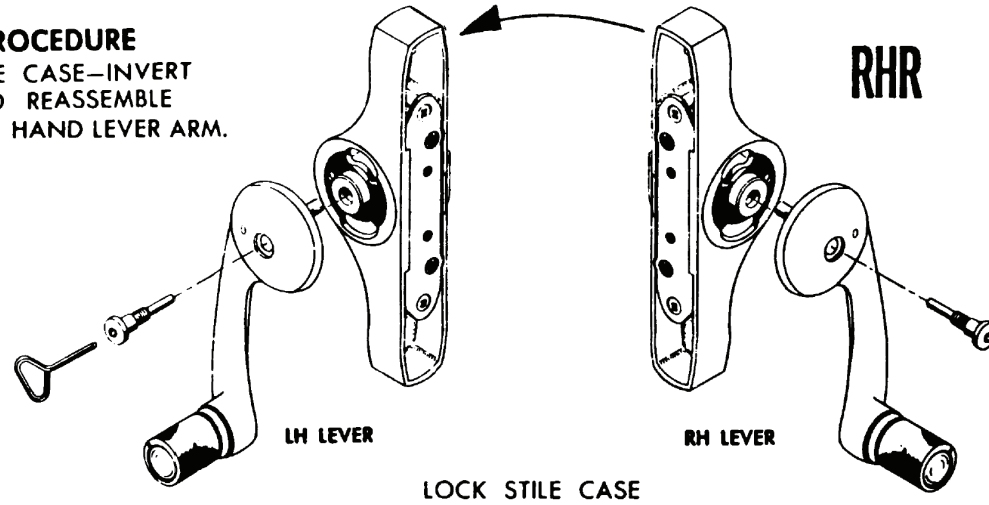
VON DUPRIN®

Reversing Instructions for Rim & Vertical Rod Devices

Installation Instructions

REVERSING PROCEDURE
FOR LOCK STILE CASE—INVERT
THE CASE AND REASSEMBLE
WITH OPPOSITE HAND LEVER ARM.

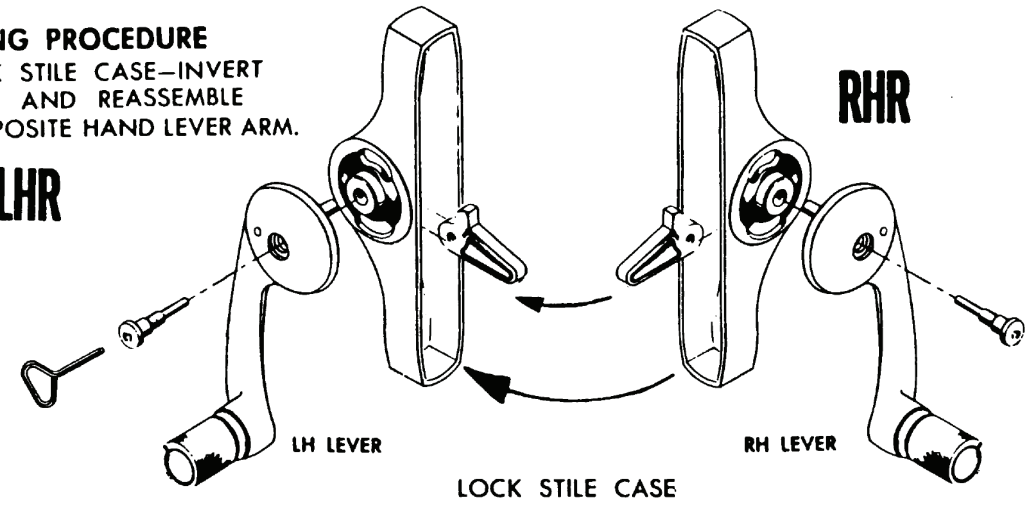
LHR



RHR

REVERSING PROCEDURE
FOR LOCK STILE CASE—INVERT
THE CASE AND REASSEMBLE
WITH OPPOSITE HAND LEVER ARM.

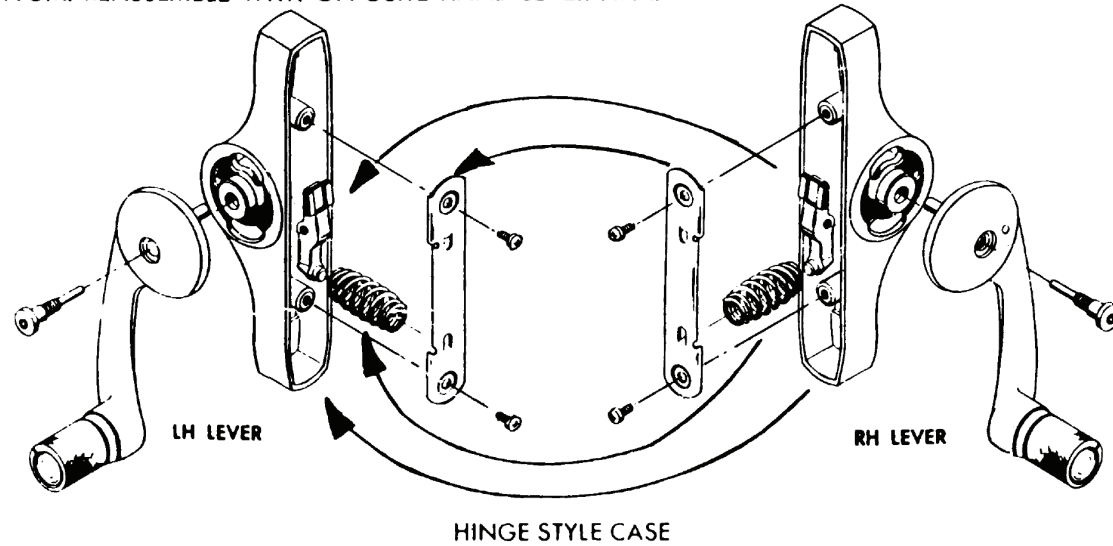
LHR



RHR

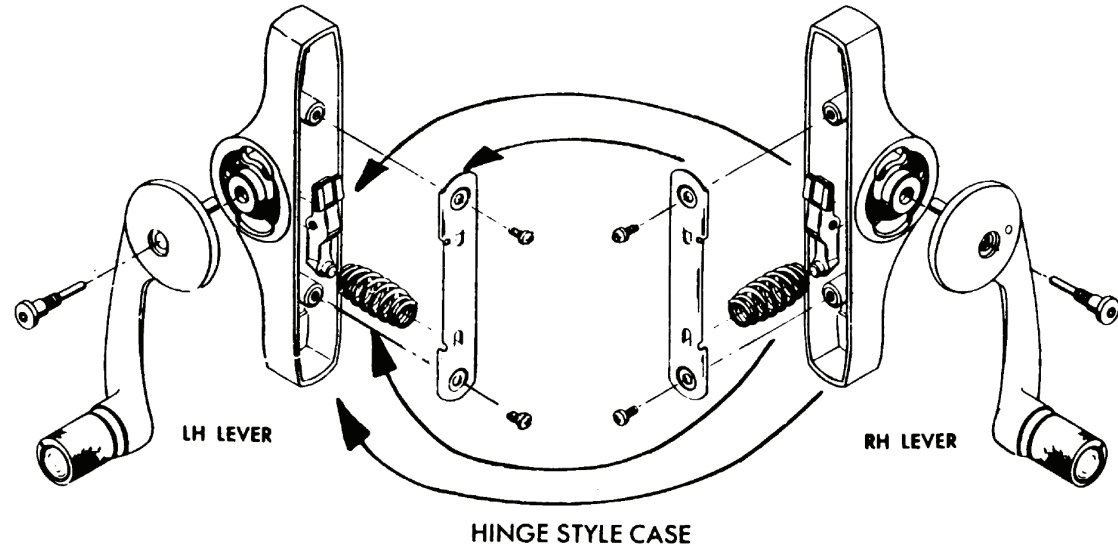
REVERSING PROCEDURE
FOR HINGE STYLE CASE—DISASSEMBLE HINGE STILE CASE,
ROTATE PARTS AS SHOWN WITH SPRING ALWAYS AT
THE BOTTOM. REASSEMBLE WITH OPPOSITE HAND LEVER ARM.

55 RIM DEVICE



REVERSING PROCEDURE
FOR HINGE STYLE CASE—DISASSEMBLE HINGE STILE CASE,
ROTATE PARTS AS SHOWN WITH SPRING ALWAYS AT
THE BOTTOM. REASSEMBLE WITH OPPOSITE HAND LEVER ARM.

5547 VERTICAL ROD DEVICE



HINGE STYLE CASE

Customer Service

1-877-671-7011 www.allegion.com/us

