



2720 Tobey Drive, Indianapolis, IN 46219  
 Tel 1-877-671-7011 ■ Fax 800-851-0000  
 Zero.Customer.Support@allegion.com  
 www.zerointernational.com

Part No:

770SP / 770STST

Part description:

Adjustable sealing system  
 jamb applied

Notes:

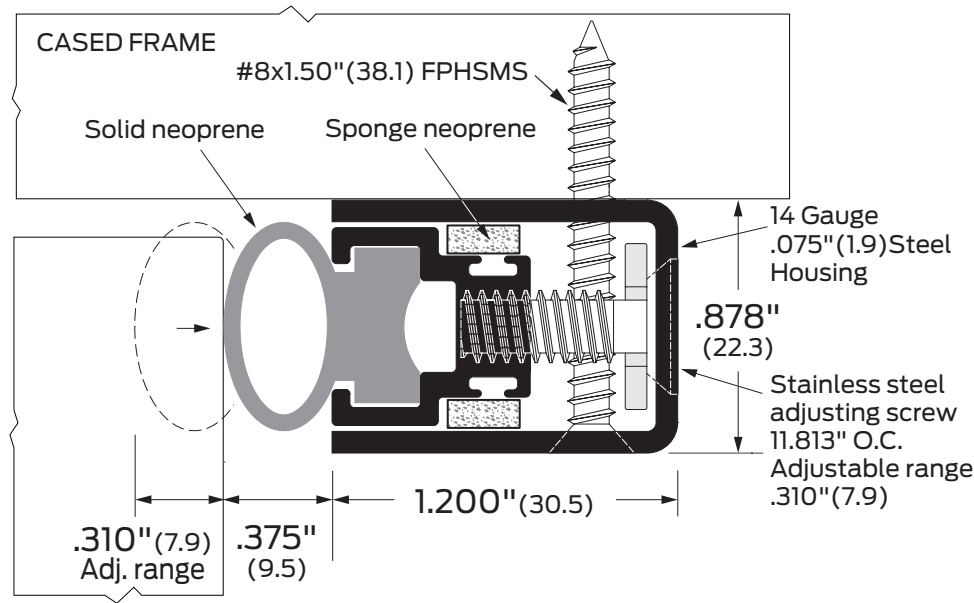
Provided by:

Customer name:

Job no:

Date:

Image may not be shown to scale



Notes:

This model is supplied with mitered corners. 90 min. fire rating for certified wood and metal doors and frames when applied as a stop.  
**Positive Pressure Listed as a stop for 16 gauge steel cased opening up to 90 minutes on single and pair doors. 180 minutes when applied to a stop.**

Certifications:

- Fire rated-UL10c
- Smoke and draft control

ANSI/BHMA:

- 770SP
- 770STST

- ROB264
- ROB254

Finishes:

- SP** Steem primed
- STST** Stainless steel

Options:

- S** Order as a set
- SEC** Security screws

