



2720 Tobey Drive, Indianapolis, IN 46219
 Tel 1-877-671-7011 ■ Fax 800-851-0000
 Zero.Customer.Support@allegion.com
 www.zerointernational.com

Part No:

643

Part description:

Carpet divider threshold

Notes:

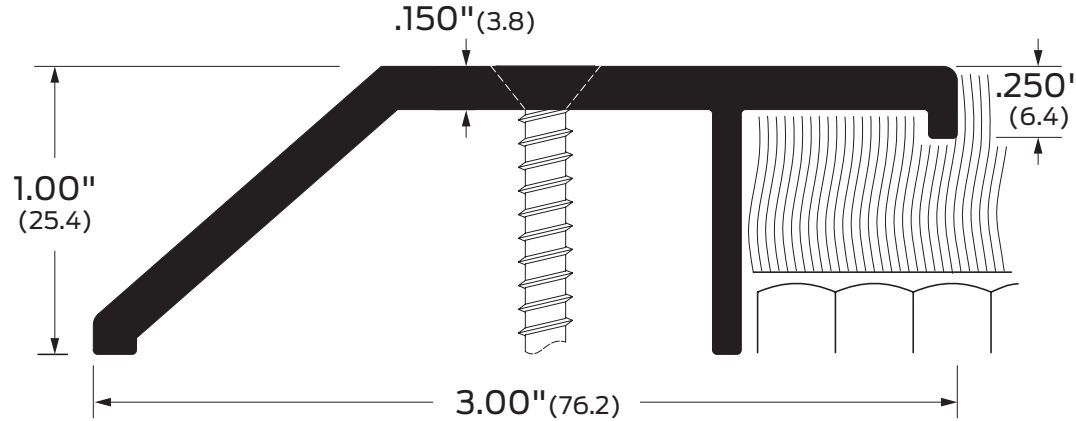
Provided by:

Customer name:

Job no:

Date:

Image may not be shown to scale



Notes:

Supplied without mounting holes.

Certifications:

Fire rated-UL10c

ANSI/BHMA:

643A, 643BK, 643D, 643G J33300, J33340
 643A-E, 643BK-E, 643D-E, 643G-E J33400, J33440

Finishes:

A Aluminum mill finish
BK Aluminum black anodized
D Aluminum dark bronze anodized
G Aluminum gold anodized

Options:

E Epoxy abrasive tread
EL Photoluminescent and abrasive epoxy tread
V3 Full body strength fill
EV3 Epoxy and full body strength fill
ELV3 Photoluminescent and abrasive epoxy tread, full body strength fill

