



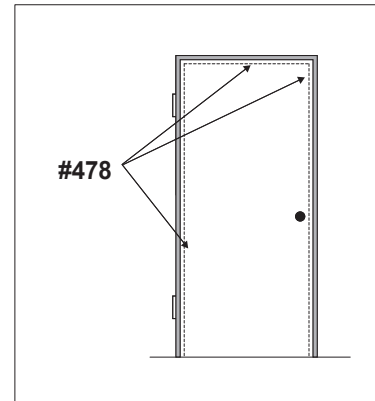
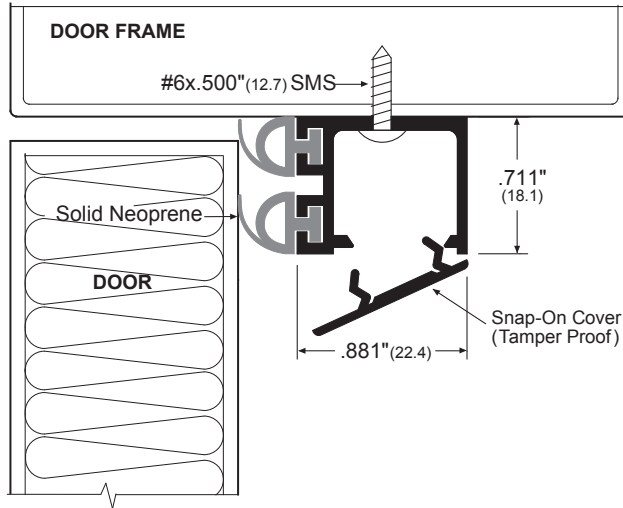
47255384

Model 478

Head and Jamb Protection



Installation Instructions



- 1 Close the door and measure the frame opening.
- 2 Install the gasketing (trim as necessary), head piece first. Place the piece against the face of door, making GENTLE contact between the rubber extrusion seal and the door. Fasten in place.
- 3 Place hinge side piece against the face of door, making GENTLE contact between the rubber extrusion seal and the door. Fasten in place. Repeat the same procedure with the lock side.
- 4 Snap on the cover after all the screws are installed.



Customer Service

1-877-671-7011

www.allegion.com/us

© Allegion 2016
Printed in U.S.A.
47255384 Rev. 11/16-b