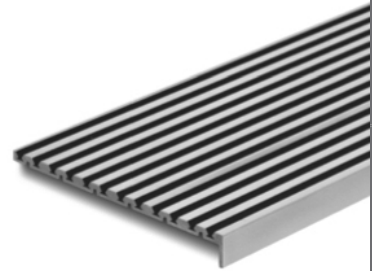




# Price book 11

Effective March 1, 2024





### United States Customer Care

Our Customer Care Representatives are available for questions or assistance.

**877-671-7011**

#### Customer service

- ☎ Press **1**
- ✉ Support@allegion.com

#### Technical support

- ☎ Press **2**
- ✉ Accessories\_TechProdSupport@allegion.com

#### For new projects or to locate an authorized distributor

- ☎ Press **3**

#### United States Administrative Office

11819 N. Pennsylvania Street  
 Carmel, IN 46032  
[allegion.com/us](http://allegion.com/us)

### Canada Customer Care

Our Customer Care Representatives are available for questions or assistance.

- ☎ 800-900-4734
- ✉ Canada.CustomerService@allegion.com

#### Technical product support

- ✉ Canada.TechServices@allegion.com

#### Placing orders

You can place orders with Allegion via the fax number or email listed below:

- ☎ 1-800-209-4734
- ✉ Canada.Orders.Service@allegion.com

#### Canada Administrative Office

1076 Lakeshore Road East  
 East Mississauga, Ontario L5E 1E4  
[allegion.ca](http://allegion.ca)

### United States Request for quote

#### Carolinas

(North Carolina, South Carolina, Virginia)  
[Carolinas.Quotes@allegion.com](mailto:Carolinas.Quotes@allegion.com)

#### Central

(Illinois, Iowa, Kansas, Missouri, Nebraska)  
[Central.Quotes@allegion.com](mailto:Central.Quotes@allegion.com)

#### Chicago

(Northern Illinois, Wisconsin)  
[Chicago.Quotes@allegion.com](mailto:Chicago.Quotes@allegion.com)

#### Florida

[Florida.Quotes@allegion.com](mailto:Florida.Quotes@allegion.com)

#### Metro New York

(Metro New York, Northern New Jersey)  
[Metro.Quotes@allegion.com](mailto:Metro.Quotes@allegion.com)

#### Michigan

[Michigan.Quotes@allegion.com](mailto:Michigan.Quotes@allegion.com)

#### Mid Atlantic North

(New York, Western Pennsylvania)  
[Mid.Atlantic.North.Quotes@allegion.com](mailto:Mid.Atlantic.North.Quotes@allegion.com)

#### Mid Atlantic South

(Delaware, Eastern Pennsylvania, Maryland, Northern Virginia, Southern New Jersey, Washington DC)  
[Mid.Atlantic.South.Quotes@allegion.com](mailto:Mid.Atlantic.South.Quotes@allegion.com)

#### Midwest

(Indiana, Kentucky, Ohio, West Virginia)  
[Midwest.Quotes@allegion.com](mailto:Midwest.Quotes@allegion.com)

#### Mountain States

(Colorado, Idaho, Montana, Nevada, Utah, Wyoming)  
[Mtn.States.Quotes@allegion.com](mailto:Mtn.States.Quotes@allegion.com)

#### New England

(Connecticut, Maine, Massachusetts, New Hampshire, Rhode Island, Vermont)  
[NewEngland.Quotes@allegion.com](mailto:NewEngland.Quotes@allegion.com)

#### North Central

(Minnesota, North Dakota, South Dakota)  
[NorthCentral.Quotes@allegion.com](mailto:NorthCentral.Quotes@allegion.com)

#### Northern California

[NoCal.Quotes@allegion.com](mailto:NoCal.Quotes@allegion.com)

#### Northwest

(Alaska, Oregon, Washington)  
[Northwest.Quotes@allegion.com](mailto:Northwest.Quotes@allegion.com)

#### South

(Alabama, Georgia, Louisiana, Mississippi, Tennessee)  
[South.Quotes@allegion.com](mailto:South.Quotes@allegion.com)

#### Southern California

(Southern California, Hawaii)  
[SoCal.Quotes@allegion.com](mailto:SoCal.Quotes@allegion.com)

#### Southwest

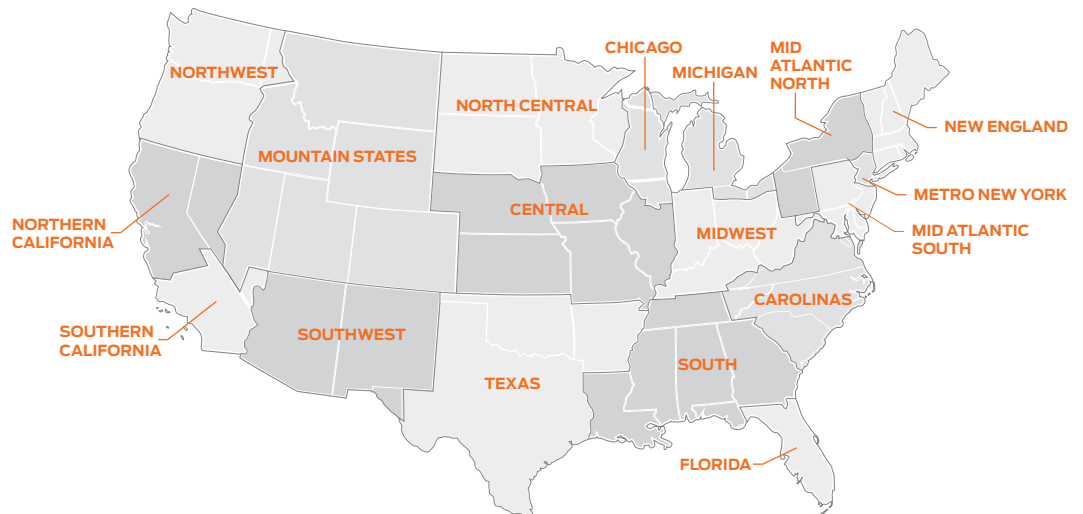
(Arizona, New Mexico)  
[Southwest.Quotes@allegion.com](mailto:Southwest.Quotes@allegion.com)

#### Texas

(Arkansas, Texas, Oklahoma)  
[Texas.Quotes@allegion.com](mailto:Texas.Quotes@allegion.com)

### Canada Request for quote

(All Regions/Provinces)  
[Quote.Request.Canada@allegion.com](mailto:Quote.Request.Canada@allegion.com)





# Contents

**Doing business with Allegion** .....4

**Thresholds**  
 Threshold models and options .....8  
 Thresholds .....9  
 Half thresholds .....11  
 Interlocking/adjustable interlocking bronze  
 threshold systems .....14  
 Thermal break thresholds .....15  
 Adjustable thresholds .....16  
 Ramps .....19  
 Specialized threshold solutions ..... 20

**Automatic door bottoms**  
 Heavy duty ..... 22  
 Regular duty ..... 25  
 Light duty .....27  
 Special purpose .....27

**Perimeter seals**  
 Specialized perimeter seal accessories ..... 30  
 Door sweeps ..... 30  
 Door shoes ..... 33  
 Adjustable sealing systems - jamb-applied ..... 34  
 Head and jamb gasketing ..... 35  
 Meeting stiles ..... 39  
 Specialized solutions ..... 43

**Weatherstripping**  
 Kerf frame weatherstripping ..... 44  
 Self-adhesive weatherstripping ..... 45  
 Weatherstripping for doors and windows .....47  
 PSA Weatherstripping for glass doors .....47

**Solutions and specialty products**  
 Sound control systems ..... 48  
 Cam lift full mortise hinges ..... 48  
 Flood barrier shields ..... 48  
 Finger guards ..... 49

**Replacement parts and extras**  
 Expansion shield/anchors ..... 50  
 Nails ..... 50  
 Anchor quantities by threshold length ..... 50  
 Security screws ..... 50  
 End cap sets ..... 51  
 Automatic door bottom accessories ..... 51  
 Screw packs ..... 51  
 Miscellaneous ..... 52  
 Replacement rubber ..... 53  
 Custom bulkhead template ..... 54



THRESHOLDS

AUTOMATIC DOOR BOTTOMS

PERIMETER SEALS

WEATHERSTRIPPING

SOLUTIONS & SPECIALTY PRODUCTS

PARTS

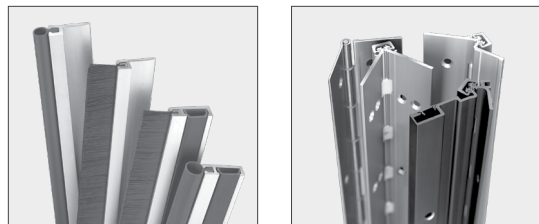
**Policies and documents**

The purchase of Allegion products is governed by the Allegion Authorized Seller Program. For program terms and conditions, and other program details, please visit:

USA [www.allegion.com/AuthorizedSeller](http://www.allegion.com/AuthorizedSeller)  
 CAN [www.allegion.ca/policies](http://www.allegion.ca/policies)

For Warranty information, visit [us.allegion.com/warranty](http://us.allegion.com/warranty) or contact Customer Service at:

USA 877-671-7011  
 CAN 800-900-4734



**Claims**

All claims for shortage or improper filling of order should be made within 10 days of receipt.

**Guarantee**

One year against defects in material or workmanship. Defective material will be replaced, however, no back charges for damage incurred or work done thereon will be allowed.

**United States Only**

**Minimum charge**

\$50.00 Net. Surcharge may apply. Material charged to next stock size.

**Cancellation charge**

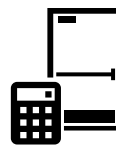
20% If order is fabricated and packed.

**Terms**

Payable in U.S. Currency. Material charged to next stock size. All prices are F.O.B. factory.

**Returns**

No returns accepted without prior authorization. Returns should be made within 30 days of authorization, freight prepaid, 45% restocking and handling charge will apply. Returns made after 30 days from date of delivery will receive a credit to their account to be applied to future orders. Non-standard and specialty fabricated items are not returnable.



Online ordering is available through Overtur™ Estimate and Order (OEO)

OEO offers much more than placing online orders including:

- Provides net price for direct customers and list price for indirect customers, integrator partners and end-users
- Online Ordering for direct customers
- Automated price updates
- Ability to export price lists and cross-reference guides in Excel
- Configuration and configuration reports, including e-lock configurations
- Request a quote or quote revision from an estimate
- Keying Guide
- Library pre-built hardware sets

How to get it:

1. Login or register at <http://360portal.allegion.com>
2. Find the Estimate and Order Icon and follow the instructions to request access
3. The Online Ordering team will begin working on your access with your Allegion Sales Representative

**Traditional ordering methods**

**United States**

✉ [Allegion\\_Orders@allegion.com](mailto:Allegion_Orders@allegion.com)  
 ☎ 1-800-248-1460

**Canada**

✉ [Canada.Orders.Service@allegion.com](mailto:Canada.Orders.Service@allegion.com)  
 ☎ 1-800-209-4734

Training and Troubleshooting



Scan the QR Code to access our resource center or visit

<https://support.oeo.allegion.com/hc/en-us>

Questions or issues should be reported to [Online.Ordering.Support@allegion.com](mailto:Online.Ordering.Support@allegion.com) for escalation

**Custom charge**

Special door markings and bulk packaging markings available at no charge.

**Fabrication**

- All items cut with tolerance -0+1/8" to 1/2" (3.2mm to 12.7mm)
- Drilling according to industry practice.
- All threshold straight cut.
- NH - No Holes Standard List - All models where NH is standard can have holes drilled as Engineered Special. Customer must submit template with order. See threshold chart for options.

LIST ADD	
Pivot holes	\$62.54/each
Coping (detail required)	
L cut	\$62.54/each
U cut	\$125.07/each
Return ends	\$281.80 added to total list price threshold
Miter	\$14.11/each
Ripping	\$17.57/each
Spot weld	\$25.42/ft
Beveling	\$17.57/ft
Floor closer cover	Prices are addition to threshold list prices.
Long length threshold charge (thresholds >10')	\$13.40

For thresholds above 10', only 11', 12', 13', 14' and 14'6" lengths can be ordered. 14'6" only available in A mill aluminum finish.

Maximum lengths: Thresholds 174" (168" for anodized finishes)

**TYPE 1**

For doors hung in center of frame

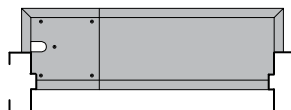


Left hand shown

\$192.32 List Adder single door  
\$393.09 List Adder double door

**TYPE 3**

For use with all offset closers and pivot sets

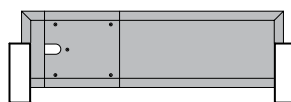


Left hand shown

\$547.14 List Adder single door  
\$1,094.29 List Adder double door

**TYPE 4**

For doors hung flush with face of frame

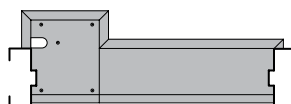


Left hand shown

\$547.14 List Adder single door  
\$1,094.29 List Adder double door

**TYPE 5**

For use with offset closers and pivot sets



Left hand shown

\$683.94 List Adder single door  
\$1,367.89 List Adder double door

**OPTIONS**

E	Epoxy tread	\$14.95	List price adder × width in inches × length per foot. See table for specific model widths.
EL	Photoluminescent and epoxy tread	\$14.95	
V3	Full body fill for thresholds	\$21.37	
EV3	Epoxy tread and V3 full body fill	\$36.33	
ELV3	Photoluminescent and epoxy tread with V3 full body fill	\$36.33	

Use Threshold adder chart for widths and available options.

Example: 655A-V3-36"

Threshold: \$25.30 × 3 (ft) = \$75.88

V3 Adder: \$21.37 × 5 (inches in width) × 3 (feet in length) = \$320.67

Total Price: \$75.88 + \$320.67 = \$396.54

FLO	Air flow configuration (Sweeps, shoes, and door bottoms)	\$5.36/ft
LS	Light spring for door bottoms	
PSA	Pressure sensitive adhesive (Weatherstripping and intumescent)	
SEC	Security screws	
Z49	Z49 door bottom end cap system (with pull out, standard)	\$27.81
	Z49 door bottom end cap system (without pull out, must specify Z49 only)	\$18.51
	Pull out feature (PL)	\$9.30
ZAG	Anti-ligature (weatherstripping and head and jamb)	\$1.96/ft

**Fasteners**

Supplied at no charge except drive screws and nails (see page 50).

Flathead wood screws supplied with threshold, expansion shields extra.

**ROUNDING RULES**

Thresholds: Round up to next 1/2 foot (except 600CP, 601CP)

Door sweeps: Round up to the next 1/2 foot

Head and jamb -

Set: Width to next 1/2 foot × (height to next 1/2 foot × 2)

Stick: Round up to the next 1/2 foot

Gasketing/weatherstripping: Round up to the next full foot

## Finish cross-reference guide

FINISH DESIGNATION	BHMA	DESCRIPTION
A	-	Aluminum, mill finish
AA	628	Aluminum clear anodized
B	-	Bronze, architectural mill finish
BK	711	Aluminum black anodized
B-POL <sup>1</sup>	-	High buff polished bronze
B-ORB <sup>1</sup>	613	Oil-rubbed bronze
B-SAT <sup>1</sup>	-	Satin polished bronze
D	710	Aluminum dark bronze anodized
G <sup>2</sup>	688	Aluminum gold anodized (N/A in lengths longer than 117")
SP	-	Steel prime
STST	-	Stainless steel

Note: Black, dark bronze and gold anodized finishes will show wear over time and are not included in the standard warranty. Also, color anodized finishes may require an extended lead time for finishing.

BRONZE FINISHING <sup>1</sup>	BHMA	DESCRIPTION
B-ORB <sup>2</sup>	613	Oil-rubbed bronze finish
B-POL <sup>3</sup>	-	High buff polished bronze
B-SAT <sup>3</sup>	-	Satin polished bronze

1. Add 40% to List price.
2. No E, EL, V3, EV3, or ELV3 if B-ORB is requested.
3. 7000, 7332, 7334, 7335, 7336, and 7338 only.

### ZERO QUICK SHIP STOCKED OFFERING<sup>1</sup>

Zero Quick Ship stocked offering includes over 40 of our most popular accessories that will typically ship in 5 business days or less through our standard order process. Our offering of quick ship stocked items is listed below.

<sup>1</sup> Quick Shipping Stocked offering does not apply to Canada.

#### To place an order for quick ship

Order via the standard ordering process and submit only stocked items on your purchase order. Purchase orders that contain a mix of standard product and stocked items will continue to follow existing customer account preferences (ship complete or ship partial). Made-to-order products will continue to ship within standard lead times.

MODEL NUMBER	DESCRIPTION	FINISH
<b>Zero — Thresholds</b>		
<b>Saddle thresholds</b>		
655A-36" (914MM)	Saddle threshold without supporting legs	Aluminum Mill Finish (A)
655A-223-36" (914MM)	Saddle threshold with 223 anchor	Aluminum Mill Finish (A)
545A-36" (914MM)	Saddle threshold with 2 supporting legs	Aluminum Mill Finish (A)
<b>Rabbeted thresholds</b>		
65A-72" (1829MM)	Full body strength rabbeted threshold	Aluminum Mill Finish (A)
65A-36" (914MM)	Rabbeted thresholds—standard with silicone Insert	Aluminum Mill Finish (A)
<b>Zero — Automatic door bottoms</b>		
<b>Heavy duty automatic door bottoms</b>		
369AA-36" (914MM)	Automatic door bottom with solid neoprene - heavy duty	Aluminum Clear Anodized (AA)
364AA-36" (914MM)	Sill protection automatic door bottom with solid neoprene insert - mortised - heavy duty	Aluminum Clear Anodized (AA)
360AA-36" (914MM)	Sill protection automatic door bottom with closed-cell sponge Neoprene Insert - mortised - heavy duty	Aluminum Clear Anodized (AA)



**ZERO QUICK SHIP STOCKED OFFERING<sup>1</sup>**

<sup>1</sup> Quick Shipping Stocked offering does not apply to Canada.

MODEL NUMBER	DESCRIPTION	FINISH
<b>Regular duty automatic door bottoms</b>		
355AA-36" (914MM)	Sill protection, automatic door bottom with solid neoprene insert, semi mortised, heavy duty	Aluminum Clear Anodized (AA)
351AA-36" (914MM)	Sill protection, automatic door bottom with solid neoprene insert, surface mounted	Aluminum Clear Anodized (AA)
<b>Zero — Perimeter seal</b>		
<b>Door sweeps</b>		
8198AA 36" (914MM)	Door sweep with brush	Aluminum Clear Anodized (AA)
8197AA 36" (914MM)	Door sweep with lip neoprene	Aluminum Clear Anodized (AA)
8192AA 36" (914MM)	Door sweep with brush	Aluminum Clear Anodized (AA)
39BK 36" (914MM)	Door sweep with neoprene insert	Aluminum Black Anodized (BK)
39A 36" (914MM)	Door sweep with neoprene insert	Aluminum Mill Finish (A)
8192AA 36" (914MM)	Door sweep with brush	Aluminum Clear Anodized (AA)
328AA-S 36 X 84" (914 X 2134MM)	Perimeter seal with solid neoprene	Aluminum Clear Anodized (AA)
328AA 96" (2438MM)	Perimeter seal with solid neoprene	Aluminum Clear Anodized (AA)
328AA 84" (2134MM)	Perimeter seal with solid neoprene	Aluminum Clear Anodized (AA)
<b>Astragals</b>		
43SP 84" (2134MM)	Steel prime security astragal, surface mount	Steel Primed (SP)
8193AA 84" (2134MM)	Surface astragal with brush - self-adhesive	Aluminum Clear Anodized (AA)
<b>Adjustable sealing systems</b>		
870AA-S 36 X 84" (914 X 2134MM)	Adjustable perimeter gasketing acoustic door seal set	Aluminum Clear Anodized (AA)
<b>Meeting stiles</b>		
8303AA-S 36 X 84" (914 X 2134MM)	Jamb perimeter weatherstrip set	Aluminum Clear Anodized (AA)
475AA-S 36 X 84" (914 X 2134MM)	Perimeter seal with solid neoprene	Aluminum Clear Anodized (AA)
429AA-S 36 X 84" (914 X 2134MM)	Head and jamb gasketing	Aluminum Clear Anodized (AA)
<b>Rain drip</b>		
142AA 76" (1930MM)	Aluminum extruded drip cap	Aluminum Clear Anodized (AA)
142AA 40" (1016MM)	Aluminum extruded drip cap	Aluminum Clear Anodized (AA)
<b>Zero — Weatherstripping</b>		
<b>Self-adhesive weatherstripping</b>		
8780N-BK 17ft PSA	Adhesive weatherstrip and mullion shield, neoprene	Black Anodized (BK)
8150S-BK 17ft PSA	Adhesive weatherstrip, silicone quadruple fin protection	Black Anodized (BK)
488FS-BK 17ft PSA	Adhesive weatherstrip, fire-rated silicone teardrop	Black Anodized (BK)
488S-BK 21FT PSA	Adhesive weatherstrip, silicone teardrop	Black Anodized (BK)
488S-BK 20FT PSA	Adhesive weatherstrip, silicone teardrop	Black Anodized (BK)
488S-BK 19ft PSA	Adhesive weatherstrip, silicone teardrop	Black Anodized (BK)
488S-BK 18ft PSA	Adhesive weatherstrip, silicone teardrop	Black Anodized (BK)
488S-BK 17ft PSA	Adhesive weatherstrip, silicone teardrop	Black Anodized (BK)
188S-BR 17FT PSA	Adhesive weatherstrip, silicone teardrop	Black Anodized (BK)
188S-BK 21ft PSA	Adhesive weatherstrip, silicone teardrop	Black Anodized (BK)
188S-BK 20FT PSA	Adhesive weatherstrip, silicone teardrop	Black Anodized (BK)
188S-BK 19ft PSA	Adhesive weatherstrip, silicone teardrop	Black Anodized (BK)
188S-BK 18ft PSA	Adhesive weatherstrip, silicone teardrop	Black Anodized (BK)
188S-BK 17FT PSA	Adhesive weatherstrip, silicone teardrop	Black Anodized (BK)
<b>Miscellaneous</b>		
47257391	223-10-24 Concrete anchor screwpack	-

THRESHOLDS

AUTOMATIC DOOR BOTTOMS

PERIMETER SEALS

WEATHERSTRIPPING

SOLUTIONS & SPECIALTY PRODUCTS

PARTS



# Thresholds

## Threshold models and options

Model	NH - optional or standard	Threshold width for adder	E or EL available	V3 available
15	Standard	N/A	-	-
48	Standard	N/A	-	-
49	Standard	N/A	-	-
63	Standard	3"	Yes	Yes
64	Optional	3"	Yes	Yes
65	Optional	5"	Yes	Yes
68	Standard	N/A	-	-
69	Standard	N/A	-	-
70	Optional	2"/3"	Yes	Yes
73	Optional	2"/4"	Yes	Yes
76	Optional	2"/4"	Yes	Yes
80	Optional	2"/5"	Yes	Yes
102	Standard	6"	Yes	-
103	Standard	7"	Yes	-
104	Standard	6"	Yes	-
105	Standard	N/A	-	-
106	Standard	N/A	-	-
107	Standard	N/A	-	-
164	Optional	4"	Yes	Yes
168	Standard	N/A	-	-
175	Optional	3"/5"	Yes	Yes
232	Standard	6"	Yes	Yes
233	Standard	3"	Yes	-
234	Standard	3"	Yes	-
235	Standard	3"	Yes	-
236	Standard	6"	Yes	-
237	Standard	4"	Yes	-
238	Standard	4"	Yes	-
259R	Standard	N/A	-	-
265	Optional	5"	Yes	Yes
267	Optional	2"	Yes	-
268	Standard	N/A	-	-
269	Standard	N/A	-	-
304	Optional	2"	-	Yes
469	Standard	N/A	-	-
522	Optional	2"	Yes	Yes
523	Optional	3"	Yes	Yes
524	Optional	3"	Yes	Yes
525	Optional	5"	Yes	Yes
526	Optional	6"	Yes	Yes
544	Optional	4"	Yes	Yes
545	Optional	5"	Yes	Yes
546	Standard	6"	Yes	Yes
547	Standard	7"	Yes	Yes
548	Standard	8"	Yes	Yes
560	Optional	5"	Yes	Yes
561	Optional	5"	Yes	Yes
563	Optional	4"	Yes	Yes
564	Optional	4"	Yes	Yes
565	Optional	5"	Yes	Yes
566	Optional	5"	Yes	Yes
568	Optional	6"	Yes	Yes
600CP	Standard	N/A	Yes	-
601CP	Standard	N/A	Yes	-

Model	NH - optional or standard	Threshold width for adder	E or EL available	V3 available
622	Optional	2"	Yes	Yes
623	Optional	3"	Yes	Yes
624	Optional	4"	Yes	Yes
625	Optional	5"	Yes	Yes
626	Optional	6"	Yes	Yes
627	Optional	2"	Yes	Yes
628	Optional	3"	Yes	Yes
643	Optional	3"	Yes	Yes
647	Standard	7"	Yes	Yes
653	Optional	3"	Yes	Yes
654	Optional	4"	Yes	Yes
655	Optional	5"	Yes	Yes
656	Standard	6"	Yes	Yes
657	Standard	7"	Yes	Yes
663	Standard	3"	Yes	Yes
664	Optional	4"	Yes	Yes
672	Standard	2"	Yes	-
673	Standard	3"	Yes	-
674	Standard	4"	Yes	-
675	Standard	5"	Yes	-
676	Standard	6"	Yes	-
678	Standard	8"	Yes	-
1545	Optional	3"	Yes	Yes
1673	Optional	3"	Yes	Yes
1674	Optional	4"	Yes	Yes
1675	Optional	5"	Yes	Yes
1682	Optional	2"	Yes	Yes
1684	Optional	4"	Yes	Yes
1685R	Standard	N/A	-	-
1686R	Standard	N/A	-	-
2361	Standard	4"	Yes	-
2673	Standard	3"	Yes	-
2676	Standard	6"	Yes	-
3672	Standard	2"	Yes	-
3673	Standard	3"	Yes	-
3674	Standard	4"	Yes	-
3675	Standard	5"	Yes	-
3676	Standard	6"	Yes	-
6570	Standard	7"	Yes	Yes
6575	Standard	8"	Yes	Yes
6710	Standard	10"	Yes	-
7000	Optional	N/A	-	-
7332	Optional	N/A	-	-
7334	Optional	N/A	-	-
7335	Optional	N/A	-	-
7336	Optional	N/A	-	-
7337	Optional	N/A	-	-
8452	Optional	2"	Yes	-
8655	Optional	5"	Yes	Yes
8724	Optional	6"	Yes	Yes
8726	Optional	8"	Yes	Yes
8729	Optional	7"	Yes	Yes





THRESHOLDS		LIST PRICE	
Part number	Description	Per Foot	Per Meter
63A	Aluminum threshold, 3" x 1/4" (76.2 x 6.4)	\$12.07	\$39.60
63BK	Black anodized threshold, 3" x 1/4" (76.2 x 6.4)	\$18.23	\$59.81
63D	Dark bronze anodized threshold, 3" x 1/4" (76.2 x 6.4)	\$17.45	\$57.25
63G	Gold threshold, 3" x 1/4" (76.2 x 6.4)	\$19.00	\$62.34
64A	Aluminum threshold, 2-1/2" (63.5)	\$8.86	\$29.07
64BK	Black anodized threshold, 2-1/2" (63.5)	\$13.42	\$44.03
64D	Dark bronze anodized threshold, 2-1/2" (63.5)	\$12.85	\$42.16
64G	Gold threshold, 2-1/2" (63.5)	\$13.98	\$45.87
164A	Aluminum/smooth top, 4" x 1/2" (101.6 x 12.7)	\$21.23	\$69.65
164BK	Black anodized/smooth top, 4" x 1/2" (101.6 x 12.7)	\$31.90	\$104.66
164D	Dark bronze anodized/smooth top, 4" x 1/2" (101.6 x 12.7)	\$30.55	\$100.23
164G	Gold anodized/smooth top, 4" x 1/2" (101.6 x 12.7)	\$33.28	\$109.19
164B	Bronze/smooth top, 4" x 1/2" (101.6 x 12.7)	\$80.57	\$264.34
544A	Aluminum handicap threshold, 4" (101.6)	\$14.95	\$49.05
544BK	Black anodized handicap threshold, 4" (101.6)	\$23.06	\$75.66
544D	Dark bronze anodized handicap threshold, 4" (101.6)	\$22.08	\$72.44
544G	Gold anodized handicap threshold 4" (101.6)	\$24.05	\$78.90
545A	Aluminum handicap threshold, 5" (127.0)	\$17.89	\$58.69
545B	Bronze handicap threshold, 5" (127.0)	\$73.66	\$241.67
545BK	Black anodized handicap threshold, 5" (127.0)	\$38.68	\$126.90
545D	Dark bronze anodized handicap threshold, 5" (127.0)	\$37.01	\$121.42
545G	Gold anodized handicap threshold, 5" (127.0)	\$40.33	\$132.32
● 546A	Aluminum handicap threshold, 6" (152.4)	\$23.09	\$75.75
● 546BK	Black anodized handicap threshold, 6" (152.4)	\$35.32	\$115.88
● 546D	Dark bronze anodized handicap threshold, 6" (152.4)	\$33.80	\$110.89
● 546G	Gold anodized handicap threshold, 6" (152.4)	\$36.82	\$120.80
● 547A	Aluminum handicap threshold, 7" (177.8)	\$27.06	\$88.78
● 547BK	Black anodized handicap threshold, 7" (177.8)	\$39.66	\$130.12
● 547D	Dark bronze anodized handicap threshold, 7" (177.8)	\$37.97	\$124.57
● 547G	Gold anodized handicap threshold, 7" (177.8)	\$41.33	\$135.60
● 548A	Aluminum handicap threshold, 8" (203.2)	\$34.76	\$114.04
● 548BK	Black anodized handicap threshold, 8" (203.2)	\$51.43	\$168.73
● 548D	Dark bronze anodized handicap threshold, 8" (203.2)	\$49.21	\$161.45
● 548G	Gold anodized handicap threshold, 8" (203.2)	\$53.62	\$175.92
● 647B	Bronze threshold, 7" (177.8) wide	\$269.15	\$883.04
653A	Aluminum threshold, 3" (76.2) wide	\$16.46	\$54.00
653BK	Black anodized threshold, 3" (76.2) wide	\$24.92	\$81.76
653D	Dark bronze anodized threshold, 3" (76.2) wide	\$23.85	\$78.25
653G	Gold anodized threshold, 3" (76.2) wide	\$25.98	\$85.24
654A	Aluminum threshold, 4" (101.6) wide	\$21.13	\$69.32
654B	Bronze threshold, 4" (101.6) wide	\$96.62	\$316.99
654BK	Black anodized threshold, 4" (101.6) wide	\$31.49	\$103.31
654D	Dark bronze anodized threshold, 4" (101.6) wide	\$30.14	\$98.88
654G	Gold anodized threshold, 4" (101.6) wide	\$32.83	\$107.71
655A	Aluminum threshold, 5" (127.0) wide	\$25.30	\$83.01

● Supplied without mounting holes.

Note: Special anchors available for mounting most thresholds on concrete surfaces.

THRESHOLDS  
AUTOMATIC DOOR BOTTOMS  
PERIMETER SEALS  
WEATHERSTRIPPING  
SOLUTIONS & SPECIALTY PRODUCTS  
PARTS



THRESHOLDS

AUTOMATIC DOOR BOTTOMS

PERIMETER SEALS

WEATHERSTRIPPING

SOLUTIONS & SPECIALTY PRODUCTS

PARTS

THRESHOLDS		LIST PRICE	
Part number	Description	Per Foot	Per Meter
655B	Bronze threshold, 5" (127.0) wide	\$133.08	\$436.61
655BK	Black anodized threshold, 5" (127.0) wide	\$37.71	\$123.72
655D	Dark bronze anodized threshold, 5" (127.0) wide	\$36.09	\$118.41
655G	Gold anodized threshold, 5" (127.0) wide	\$39.32	\$129.00
● 656A	Aluminum threshold, 6" (152.4) wide	\$29.91	\$98.13
● 656B	Bronze threshold, 6" (152.4) wide	\$173.40	\$568.90
● 656BK	Black anodized threshold, 6" (152.4) wide	\$45.11	\$148.00
● 656D	Dark bronze anodized threshold, 6" (152.4) wide	\$43.18	\$141.67
● 656G	Gold anodized threshold, 6" (152.4) wide	\$47.03	\$154.30
664STST	Stainless steel/smooth top 4" x 1/2" (101.6 x 12.7)	\$188.41	\$618.14
● 6570A	Aluminum handicap, 7" x .500" (177.8 x 12.7)	\$43.69	\$143.34
● 6570BK	Black anodized handicap, 7" x .500" (177.8 x 12.7)	\$64.77	\$212.50
● 6570D	Dark bronze anodized handicap, 7" x .500" (177.8 x 12.7)	\$62.05	\$203.58
● 6570G	Gold anodized handicap, 7" x .500" (177.8 x 12.7)	\$67.50	\$221.46
● 6575A	Aluminum threshold, 7.5" (190.5)	\$49.42	\$162.14
● 6575BK	Black anodized threshold, 7.5" (190.5)	\$74.42	\$244.16
● 6575D	Dark bronze anodized threshold, 7.5" (190.5)	\$71.29	\$233.89
● 6575G	Gold anodized threshold, 7.5" (190.5)	\$77.54	\$254.40
8655A	Aluminum handicap threshold, 5" (127)	\$16.46	\$54.00
8655BK	Black anodized handicap threshold, 5" (127)	\$24.74	\$81.17
8655D	Dark bronze anodized handicap threshold, 5" (127)	\$23.68	\$77.69
8655G	Gold anodized handicap threshold, 5" (127)	\$25.79	\$84.61

- Supplied without mounting holes.
- Note: Special anchors available for mounting most thresholds on concrete surfaces.



HALF THRESHOLDS		LIST PRICE	
Part number	Description	Per Foot	Per Meter
● 15B	Bronze butt threshold, 1.4" (35.6)	\$53.02	\$173.95
304A	Aluminum butt threshold, 1-1/2" (38.1) wide	\$10.08	\$33.07
304BK	Black anodized butt threshold, 1-1/2" (38.1) wide	\$15.30	\$50.20
304D	Dark bronze anodized butt threshold, 1-1/2" (38.1) wide	\$14.66	\$48.10
304G	Gold anodized butt threshold, 1-1/2" (38.1) wide	\$15.94	\$52.30
523A	Aluminum butt threshold, 3" (76.2)	\$22.86	\$75.00
523BK	Black anodized butt threshold, 3" (76.2)	\$34.69	\$113.81
523D	Dark bronze anodized butt threshold, 3" (76.2)	\$33.23	\$109.02
523G	Gold anodized butt threshold, 3" (76.2)	\$36.14	\$118.57
524A	Aluminum butt threshold, 3" (76.2)/neoprene	\$26.18	\$85.89
524BK	Black anodized butt threshold, 3" (76.2)/neoprene	\$39.68	\$130.18
524D	Dark bronze anodized butt threshold, 3" (76.2)/neoprene	\$38.02	\$124.74
524G	Gold anodized butt threshold, 3" (76.2)/neoprene	\$41.35	\$135.66
622A	Aluminum butt threshold, 2" (50.8)	\$10.43	\$34.22
622BK	Black anodized butt threshold, 2" (50.8)	\$15.65	\$51.35
622D	Dark bronze anodized butt threshold, 2" (50.8)	\$14.99	\$49.18
622G	Gold anodized butt threshold, 2" (50.8)	\$16.32	\$53.54
622PVC	.45" x .49" Thermal break connector - PVC	\$3.86	\$12.66
623A	Aluminum butt threshold, 3" (76.2)	\$14.80	\$48.56
623BK	Black anodized butt threshold, 3" (76.2)	\$22.30	\$73.16
623D	Dark bronze anodized butt threshold, 3" (76.2)	\$21.35	\$70.05
623G	Gold anodized butt threshold, 3" (76.2)	\$23.24	\$76.25
627A	Aluminum/neoprene/2" (50.8) wide	\$12.88	\$42.26
627BK	Black anodized/neoprene/2" (50.8) wide	\$19.19	\$62.96
627D	Dark bronze anodized/neoprene/2" (50.8) wide	\$18.40	\$60.37
627G	Gold anodized/neoprene/2" (50.8) wide	\$20.00	\$65.62
628A	Aluminum/neoprene/3" (76.2) wide	\$17.15	\$56.27
628BK	Black anodized/neoprene/3" (76.2) wide	\$25.70	\$84.32
628D	Dark bronze anodized/neoprene/3" (76.2) wide	\$24.62	\$80.77
628G	Gold anodized/neoprene/3" (76.2) wide	\$26.79	\$87.89
1545A	Aluminum butt threshold, 2-1/2" (63.5)	\$11.31	\$37.11
1545BK	Black anodized threshold, 2-1/2" (63.5)	\$38.69	\$126.94
1545D	Dark bronze anodized threshold, 2-1/2" (63.5)	\$37.02	\$121.46
1545G	Gold anodized threshold, 2-1/2" (63.5)	\$40.35	\$132.38
1545B	Bronze butt threshold, 2-1/2" (63.5)	\$67.35	\$220.96
1673A	Aluminum butt threshold 3" x 1/2" (76.2 x 12.7)	\$21.13	\$69.32
1673BK	Black anodized butt threshold 3" x 1/2" (76.2 x 12.7)	\$31.49	\$103.31
1673D	Dark bronze anodized butt threshold 3" x 1/2" (76.2 x 12.7)	\$30.14	\$98.88
1673G	Gold anodized butt threshold 3" x 1/2" (76.2 x 12.7)	\$32.83	\$107.71
1674A	Aluminum threshold one side beveled 4" x 1/2" (101.6 x 12.7)	\$29.80	\$97.77
1674BK	Black anodized threshold one side beveled 4" x 1/2" (101.6 x 12.7)	\$44.34	\$145.47
1674D	Dark bronze anodized threshold one side beveled 4" x 1/2" (101.6 x 12.7)	\$42.45	\$139.27
1674G	Gold anodized threshold one side beveled 4" x 1/2" (101.6 x 12.7)	\$46.24	\$151.71

● Supplied without mounting holes.

Note: Special anchors available for mounting most thresholds on concrete surfaces.



THRESHOLDS

HALF THRESHOLDS		LIST PRICE	
Part number	Description	Per Foot	Per Meter
1675A	Aluminum threshold one side beveled 5" x 1/2" (127.0 x 12.7)	\$34.39	\$112.83
1675BK	Black anodized threshold one side beveled 5" x 1/2" (127.0 x 12.7)	\$51.05	\$167.49
1675D	Dark bronze anodized threshold one side beveled 5" x 1/2" (127.0 x 12.7)	\$48.87	\$160.33
1675G	Gold anodized threshold one side beveled 5" x 1/2" (127.0 x 12.7)	\$53.23	\$174.64

- Supplied without mounting holes.

Note: Special anchors available for mounting most thresholds on concrete surfaces.

AUTOMATIC DOOR BOTTOMS

CARPET DIVIDER THRESHOLDS		LIST PRICE	
Part number	Description	Per Foot	Per Meter
522A	Aluminum threshold, 1/2" (12.7) high	\$10.43	\$34.22
522BK	Black anodized threshold, 1/2" (12.7) high	\$15.82	\$51.90
522D	Dark bronze anodized threshold, 1/2" (12.7) high	\$15.16	\$49.74
522G	Gold anodized threshold, 1/2" (12.7) high	\$16.50	\$54.13
643A	Aluminum/carpet divider/3" (76.2) wide	\$17.51	\$57.45
643BK	Black anodized/carpet divider/3" (76.2) wide	\$26.28	\$86.22
643D	Dark bronze anodized/carpet divider/3" (76.2) wide	\$25.17	\$82.58
643G	Gold anodized/carpet divider/3" (76.2) wide	\$27.40	\$89.90
1682A	Carpet divider threshold, 1-3/4" (44.5)	\$10.53	\$34.55
1682BK	Black anodized carpet divider threshold, 1-3/4" (44.5)	\$15.73	\$51.61
1682D	Dark bronze anodized carpet divider threshold, 1-3/4" (44.5)	\$15.06	\$49.41
1682G	Gold anodized carpet divider threshold, 1-3/4" (44.5)	\$16.40	\$53.81
1682B	Bronze carpet divider, 1-3/4" x 1/2" (44.5 x 12.7)	\$58.73	\$192.68
1684A	Aluminum carpet divider, 4" (101.6)	\$23.51	\$77.13
1684BK	Black anodized carpet divider, 4" (101.6)	\$35.80	\$117.45
1684D	Dark bronze anodized carpet divider, 4" (101.6)	\$34.26	\$112.40
1684G	Gold anodized carpet divider, 4" (101.6)	\$37.33	\$122.47
● 1685R	Rubber carpet divider threshold, 2.5" (63.5)	\$35.42	\$116.21
● 1686R	Rubber carpet divider threshold, 1.813" (46.1)	\$35.42	\$116.21

- Supplied without mounting holes.

Note: Special anchors available for mounting most thresholds on concrete surfaces.

PERIMETER SEALS

WEATHERSTRIPPING

SOLUTIONS & SPECIALTY PRODUCTS

PARTS



OFFSET AND RABBETED THRESHOLDS		LIST PRICE	
Part number	Description	Per Foot	Per Meter
● 102A	Aluminum offset threshold, 5-1/2" (139.7)	\$20.42	\$66.99
● 102BK	Black anodized offset threshold, 5-1/2" (139.7)	\$30.75	\$100.89
● 102D	Dark bronze anodized offset threshold, 5-1/2" (139.7)	\$29.43	\$96.56
● 102G	Gold anodized offset threshold, 5-1/2" (139.7)	\$32.04	\$105.12
● 103A	Aluminum offset threshold, 7" (177.8)	\$26.11	\$85.66
● 103BK	Black anodized offset threshold, 7" (177.8)	\$39.05	\$128.12
● 103D	Dark bronze anodized offset threshold, 7" (177.8)	\$37.41	\$122.74
● 103G	Gold anodized offset threshold, 7" (177.8)	\$40.67	\$133.43
● 104A	Aluminum offset threshold, 6" (152.4)	\$23.55	\$77.26
● 104BK	Black anodized offset threshold, 6" (152.4)	\$35.32	\$115.88
● 104D	Dark bronze anodized offset threshold, 6" (152.4)	\$33.80	\$110.89
● 104G	Gold anodized offset threshold, 6" (152.4)	\$36.82	\$120.80
65A	Aluminum threshold/silicone stop, 5" x 1/2" (127.0 x 12.7)	\$26.87	\$88.16
65B	Bronze threshold/silicone stop, 5" x 1/2" (127.0 x 12.7)	\$172.84	\$567.06
65BK	Black anodized threshold/silicone stop, 5" x 1/2" (127.0 x 12.7)	\$40.42	\$132.61
65D	Dark bronze anodized threshold/silicone stop, 5" x 1/2" (127.0 x 12.7)	\$38.73	\$127.07
65G	Gold threshold/silicone stop, 5" x 1/2" (127.0 x 12.7)	\$42.12	\$138.19
265A	Aluminum/neoprene stop, 5" (127.0)	\$24.42	\$80.12
265BK	Black anodized/neoprene stop, 5" (127.0)	\$36.73	\$120.51
265D	Dark bronze anodized/neoprene stop, 5" (127.0)	\$35.20	\$115.49
265G	Gold anodized/neoprene stop, 5" (127.0)	\$38.27	\$125.56
267A	Aluminum/neoprene stop, 2.155" (54.7)	\$19.71	\$64.67
267BK	Black anodized/neoprene stop, 2.155" (54.7)	\$30.05	\$98.59
267D	Dark bronze anodized/neoprene stop, 2.155" (54.7)	\$28.78	\$94.42
267G	Gold anodized/neoprene stop, 2.155" (54.7)	\$31.30	\$102.69
560A	Aluminum rabbeted threshold/neoprene, 5" x 7/8" (127.0 x 22.2)	\$26.38	\$86.55
560BK	Black anodized rabbeted threshold/neoprene, 5" x 7/8" (127.0 x 22.2)	\$39.75	\$130.41
560D	Dark bronze anodized rabbeted threshold/neoprene, 5" x 7/8" (127.0 x 22.2)	\$38.05	\$124.84
560G	Gold anodized rabbeted threshold/neoprene, 5" x 7/8" (127.0 x 22.2)	\$41.45	\$135.99
561A	Aluminum rabbeted threshold/neoprene, 4-1/2" x 1" (114.3 x 25.4)	\$28.78	\$94.42
561BK	Black anodized rabbeted threshold/neoprene, 4-1/2" x 1" (114.3 x 25.4)	\$43.34	\$142.19
561D	Dark bronze anodized rabbeted threshold/neoprene, 4-1/2" x 1" (114.3 x 25.4)	\$41.52	\$136.22
561G	Gold anodized rabbeted threshold/neoprene, 4-1/2" x 1" (114.3 x 25.4)	\$45.16	\$148.16
563A	Aluminum rabbeted threshold/neoprene, 3-9/16" x 7/8" (90.4 x 22.2)	\$21.37	\$70.11
563BK	Black anodized rabbeted threshold/neoprene, 3-9/16" x 7/8" (90.4 x 22.2)	\$31.88	\$104.59
563D	Dark bronze anodized rabbeted threshold/neoprene, 3-9/16" x 7/8" (90.4 x 22.2)	\$30.54	\$100.20
563G	Gold anodized rabbeted threshold/neoprene, 3-9/16" x 7/8" (90.4 x 22.2)	\$33.22	\$108.99
564A	Aluminum rabbeted threshold/neoprene, 3-11/16" x 1/2" (84.9 x 12.7)	\$15.56	\$51.05
564B	Bronze rabbeted threshold/neoprene, 3-11/16" x 1/2" (84.9 x 12.7)	\$85.77	\$281.40
564BK	Black anodized rabbeted threshold/neoprene, 3-11/16" x 1/2" (84.9 x 12.7)	\$23.81	\$78.12
564D	Dark bronze anodized rabbeted threshold/neoprene, 3-11/16" x 1/2" (84.9 x 12.7)	\$22.81	\$74.84
564G	Gold anodized rabbeted threshold/neoprene, 3-11/16" x 1/2" (84.9 x 12.7)	\$24.80	\$81.36
565A	Aluminum rabbeted threshold 4-7/8" (123.8)/neoprene stop 7/8" (22.2)	\$34.31	\$112.57
565B	Bronze rabbeted threshold 4-7/8" (123.8)/neoprene stop 7/8" (22.2)	\$200.00	\$656.17
565BK	Black anodized rabbeted threshold 4-7/8" (123.8)/neoprene stop 7/8" (22.2)	\$50.94	\$167.13

● Supplied without mounting holes.

Note: Special anchors available for mounting most thresholds on concrete surfaces.

THRESHOLDS

AUTOMATIC DOOR BOTTOMS

PERIMETER SEALS

WEATHERSTRIPPING

SOLUTIONS & SPECIALTY PRODUCTS

PARTS



THRESHOLDS

AUTOMATIC DOOR BOTTOMS

PERIMETER SEALS

WEATHERSTRIPPING

SOLUTIONS & SPECIALTY PRODUCTS

PARTS

OFFSET AND RABBETED THRESHOLDS		LIST PRICE	
Part number	Description	Per Foot	Per Meter
565D	Dark bronze anodized rabbeted threshold 4-7/8" (123.8)/neoprene stop 7/8" (22.2)	\$48.76	\$159.97
565G	Gold anodized rabbeted threshold 4-7/8" (123.8)/neoprene stop 7/8" (22.2)	\$53.11	\$174.25
566A	Aluminum rabbeted threshold 5" (12.7)/neoprene stop 1/2" (12.7)	\$21.85	\$71.69
566BK	Black anodized rabbeted threshold 5" (12.7)/neoprene stop 1/2" (12.7)	\$32.40	\$106.30
566D	Dark bronze anodized rabbeted threshold 5" (12.7)/neoprene stop 1/2" (12.7)	\$31.04	\$101.84
566G	Gold anodized rabbeted threshold 5" (12.7)/neoprene stop 1/2" (12.7)	\$33.76	\$110.76
567B	Bronze neoprene stop, 1/2" (12.7) high	\$89.71	\$294.32
568A	Aluminum rabbeted threshold, 1/2" x 6" (12.7 x 152.4)	\$25.09	\$82.32
568BK	Black anodized rabbeted threshold, 1/2" x 6" (12.7 x 152.4)	\$37.62	\$123.43
568D	Black anodized rabbeted threshold, 1/2" x 6" (12.7 x 152.4)	\$36.03	\$118.21
568G	Gold anodized rabbeted threshold, 1/2" x 6" (12.7 x 152.4)	\$39.19	\$128.58
● 663A	Aluminum threshold, 3" (76.2) wide	\$13.42	\$44.03
● 663BK	Black anodized threshold, 3" (76.2) wide	\$20.55	\$67.42
● 663D	Dark bronze anodized threshold, 3" (76.2) wide	\$19.68	\$64.57
● 663G	Gold anodized threshold, 3" (76.2) wide	\$21.43	\$70.31

● Supplied without mounting holes.  
 Note: Special anchors available for mounting most thresholds on concrete surfaces.

INTERLOCKING AND ADJUSTABLE INTERLOCKING BRONZE THRESHOLD SYSTEMS		LIST PRICE	
Part number	Description	Per Foot	Per Meter
70B	Bronze threshold, 3" (76.2)	\$86.24	\$282.94
73A	Aluminum/neoprene stop, 4" (10.6)	\$20.58	\$67.52
73BK	Black anodized/neoprene stop, 4" (10.6)	\$31.33	\$102.79
73D	Dark bronze anodized/neoprene stop, 4" (10.6)	\$30.02	\$98.49
73G	Gold anodized/neoprene stop, 4" (10.6)	\$32.65	\$107.12
76B	Bronze/water return option, 3-1/2" (88.9)	\$130.34	\$427.62
80B	Bronze, 4-1/4" (108.0)	\$116.84	\$383.33
175A	Aluminum/water return option, 5" (127.0)	\$24.67	\$80.94
175B	Bronze/water return option, 5" (127.0)	\$152.52	\$500.39
175BK	Black anodized/water return option, 5" (127.0)	\$37.15	\$121.88
175D	Dark bronze anodized/water return option, 5" (127.0)	\$35.61	\$116.83
175G	Gold anodized/water return option, 5" (127.0)	\$38.73	\$127.07
7000B	Bronze/adjustable interlocking with #7336 or 7337	\$154.77	\$507.78
7332B	Bronze/interlocking - extension leg	\$77.40	\$253.94
7334B	Bronze/adjustable interlocking, 4" (101.6)	\$154.88	\$508.14
7335B	Bronze/adjustable interlocking, 5" (127)	\$193.59	\$635.14
7338B	Bronze/adjustable interlocking thermal break	\$295.57	\$969.72

Note: Special anchors available for mounting most thresholds on concrete surfaces.



THERMAL BREAK THRESHOLDS		LIST PRICE	
Part number	Description	Per Foot	Per Meter
525A	Aluminum thermal break threshold/neoprene, 5" (127.0)	\$37.40	\$122.70
525BK	Black anodized thermal break threshold/neoprene, 5" (127.0)	\$54.30	\$178.15
525D	Dark bronze anodized thermal break threshold/neoprene, 5" (127.0)	\$51.99	\$170.57
525G	Gold anodized thermal break threshold/neoprene, 5" (127.0)	\$56.63	\$185.79
526A	Aluminum thermal break threshold/neoprene, 6" (152.4)	\$41.89	\$137.43
526BK	Black anodized thermal break threshold/neoprene, 6" (152.4)	\$61.09	\$200.43
526D	Dark bronze anodized thermal break threshold/neoprene, 6" (152.4)	\$58.53	\$192.03
526G	Gold anodized thermal break threshold/neoprene, 6" (152.4)	\$63.66	\$208.86
624A	Aluminum/thermal break, 4" (101.6)	\$23.09	\$75.75
624BK	Black anodized/thermal break, 4" (101.6)	\$34.58	\$113.45
624D	Dark bronze anodized/thermal break, 4" (101.6)	\$33.12	\$108.66
624G	Gold anodized/thermal break, 4" (101.6)	\$36.02	\$118.18
625A	Aluminum/thermal break, 5" (127.0)	\$26.93	\$88.35
625BK	Black anodized/thermal break, 5" (127.0)	\$40.22	\$131.96
625D	Dark bronze anodized/thermal break, 5" (127.0)	\$38.50	\$126.31
625G	Gold anodized/thermal break, 5" (127.0)	\$41.92	\$137.53
626A	Aluminum/thermal break, 6" (152.4)	\$30.67	\$100.62
626BK	Black anodized/thermal break, 6" (152.4)	\$46.10	\$151.25
626D	Dark bronze anodized/thermal break, 6" (152.4)	\$44.14	\$144.82
626G	Gold anodized/thermal break, 6" (152.4)	\$48.07	\$157.71
8724A	Aluminum thermal break, 5-5/8" (142.9)	\$36.57	\$119.98
8724BK	Black anodized thermal break, 5-5/8" (142.9)	\$55.29	\$181.40
8724D	Dark bronze anodized thermal break, 5-5/8" (142.9)	\$52.96	\$173.75
8724G	Gold anodized thermal break, 5-5/8" (142.9)	\$57.62	\$189.04
8726A	Aluminum thermal break, 7-5/8" (193.7)	\$44.25	\$145.18
8726BK	Black anodized thermal break, 7-5/8" (193.7)	\$65.35	\$214.40
8726D	Dark bronze anodized thermal break, 7-5/8" (193.7)	\$62.61	\$205.41
8726G	Gold anodized thermal break, 7-5/8" (193.7)	\$68.10	\$223.43
8729A	Aluminum thermal break/neoprene, 6-5/8" (168.3)	\$49.30	\$161.75
8729BK	Lack anodized thermal break/neoprene, 6-5/8" (168.3)	\$72.62	\$238.25
8729D	Dark bronze anodized thermal break/neoprene, 6-5/8" (168.3)	\$69.57	\$228.25
8729G	Gold anodized thermal break/neoprene, 6-5/8" (168.3)	\$75.66	\$248.23

Special anchors available for mounting most thresholds on concrete surfaces.

Width dimensions for thresholds on this page are nominal. Slight variations may result from thermal break manufacturing.



THRESHOLDS

AUTOMATIC DOOR BOTTOMS

PERIMETER SEALS

WEATHERSTRIPPING

SOLUTIONS & SPECIALTY PRODUCTS

PARTS

ADJUSTABLE THRESHOLDS		LIST PRICE	
Part number	Description	Per Foot	Per Meter
48A	Aluminum plate, 3/16" x 1-1/2" (4.7 x 38.1)	\$11.75	\$38.55
49A	Aluminum plate, 1/8" x 1-3/4" (3.2 x 44.5)	\$12.98	\$42.59
● 68A	Aluminum threshold rest, 1/2" (12.7)	\$9.02	\$29.59
● 68B	Bronze threshold rest, 1/2" (12.7)	\$43.23	\$141.83
● 68BK	Black anodized threshold rest, 1/2" (12.7)	\$13.72	\$45.01
● 68D	Dark bronze anodized threshold rest, 1/2" (12.7)	\$13.13	\$43.08
● 68G	Gold threshold rest, 1/2" (12.7)	\$14.32	\$46.98
● 69A	Aluminum plate, 1/4" x 1-1/8" (6.4 x 28.6)	\$8.69	\$28.51
● 69BK	Black anodized plate, 1/4" x 1-1/8" (6.4 x 28.6)	\$13.23	\$43.41
● 69D	Dark bronze anodized plate, 1/4" x 1-1/8" (6.4 x 28.6)	\$12.66	\$41.54
● 69G	Gold plate, 1/4" x 1-1/8" (6.4 x 28.6)	\$13.79	\$45.24
84R-PSA	Traction tread neoprene with PSA, 1" x 1/4" (25.4 x 6.4)	\$9.41	\$30.87
● 105A	Aluminum bulkhead door threshold, 3" (76.2)	\$22.97	\$75.36
● 105BK	Black anodized bulkhead door threshold, 3" (76.2)	\$34.47	\$113.09
● 105D	Dark bronze anodized bulkhead door threshold, 3" (76.2)	\$33.03	\$108.37
● 105G	Gold anodized bulkhead door threshold, 3" (76.2)	\$35.93	\$117.88
● 106A	Aluminum bulkhead door threshold, 3/4" (19.1)	\$16.84	\$55.25
● 106BK	Black anodized bulkhead door threshold, 3/4" (19.1)	\$25.19	\$82.64
● 106D	Dark bronze anodized bulkhead door threshold, 3/4" (19.1)	\$24.14	\$79.20
● 106G	Gold anodized bulkhead door threshold, 3/4" (19.1)	\$26.25	\$86.12
● 107B	Bronze bulkhead door threshold, 1-7/8" (47.6)	\$95.05	\$311.84
● 168A	Aluminum threshold rest, 3/4" (19.1)	\$15.47	\$50.75
● 168B	Bronze threshold rest, 3/4" (19.1)	\$51.27	\$168.21
● 168BK	Black anodized threshold rest, 3/4" (19.1)	\$23.34	\$76.57
● 168D	Dark bronze anodized threshold rest, 3/4" (19.1)	\$22.37	\$73.39
● 168G	Gold anodized threshold rest, 3/4" (19.1)	\$24.33	\$79.82
● 268A	Aluminum threshold rest, 3/8" (9.5)	\$8.04	\$26.38
● 268B	Bronze threshold rest, 3/8" (9.5)	\$40.04	\$131.36
● 268BK	Black anodized threshold rest, 3/8" (9.5)	\$12.22	\$40.09
● 268D	Dark bronze anodized threshold rest, 3/8" (9.5)	\$11.70	\$38.39
● 268G	Gold anodized threshold rest, 3/8" (9.5)	\$12.73	\$41.77
● 269A	Aluminum assembly connector, 1/2"	\$9.85	\$32.32
● 469A	Aluminum assembly connector, 3/8"	\$7.85	\$25.75
● 672A	Aluminum plate, 2" (50.8) wide	\$12.76	\$41.86
● 672BK	Black anodized plate, 2" (50.8) wide	\$19.07	\$62.57
● 672D	Dark bronze anodized plate, 2" (50.8) wide	\$18.26	\$59.91
● 672G	Gold anodized plate, 2" (50.8) wide	\$19.87	\$65.19
● 673A	Aluminum plate, 3" (76.2) wide	\$18.58	\$60.96
● 673B	Bronze plate, 3" (76.2) wide	\$97.43	\$319.65
● 673BK	Black anodized plate, 3" (76.2) wide	\$28.15	\$92.36
● 673D	Dark bronze anodized plate, 3" (76.2) wide	\$26.97	\$88.48
● 673G	Gold anodized plate, 3" (76.2) wide	\$29.32	\$96.19
● 674A	Aluminum plate, 4" (101.6) wide	\$25.18	\$82.61
● 674B	Bronze plate, 4" (101.6) wide	\$136.46	\$447.70
● 674BK	Black anodized plate, 4" (101.6) wide	\$37.74	\$123.82

● Supplied without mounting holes.

Note: Special anchors available for mounting most thresholds on concrete surfaces. Suitable for use as recessed expansion joint floor plate for ADA openings.





ADJUSTABLE THRESHOLDS		LIST PRICE	
Part number	Description	Per Foot	Per Meter
● 674D	Dark bronze anodized plate, 4" (101.6) wide	\$36.16	\$118.64
● 674G	Gold anodized plate, 4" (101.6) wide	\$39.34	\$129.07
● 675A	Aluminum plate, 5" (127.0) wide	\$30.00	\$98.43
● 675BK	Black anodized plate, 5" (127.0) wide	\$44.72	\$146.72
● 675D	Dark bronze anodized plate, 5" (127.0) wide	\$42.84	\$140.55
● 675G	Gold anodized plate, 5" (127.0) wide	\$46.60	\$152.89
● 676A	Aluminum plate, 6" (152.4) wide	\$36.28	\$119.03
● 676B	Bronze plate, 6" (152.4) wide	\$266.17	\$873.26
● 676BK	Black anodized plate, 6" (152.4) wide	\$54.63	\$179.23
● 676D	Dark bronze anodized plate, 6" (152.4) wide	\$52.33	\$171.69
● 676G	Gold anodized plate, 6" (152.4) wide	\$56.92	\$186.75
● 678A	Aluminum plate, 8" (203.2) wide	\$50.18	\$164.63
● 678BK	Black anodized plate, 8" (203.2) wide	\$75.28	\$246.98
● 678D	Dark bronze anodized plate, 8" (203.2) wide	\$72.11	\$236.58
● 678G	Gold anodized plate, 8" (203.2) wide	\$78.44	\$257.35
● 2673A	Aluminum 3" (76.2) Traction tread nosing-rubber	\$37.16	\$121.92
● 2673B	Bronze 3" (76.2) Traction tread nosing-rubber	\$152.72	\$501.05
● 2673BK	Black anodized 3" (76.2) Traction tread nosing-rubber	\$55.92	\$183.46
● 2673D	Dark bronze anodized 3" (76.2) Traction tread nosing-rubber	\$53.58	\$175.79
● 2673G	Gold anodized 3" (76.2) Traction tread nosing-rubber	\$58.28	\$191.21
● 2676A	Aluminum 6" (152.4) Traction tread nosing-rubber	\$70.03	\$229.76
● 2676BK	Black anodized 6" (152.4) Traction tread nosing-rubber	\$103.76	\$340.42
● 2676D	Dark bronze anodized 6" (152.4) Traction tread nosing-rubber	\$99.40	\$326.12
● 2676G	Gold anodized 6" (152.4) Traction tread nosing-rubber	\$108.13	\$354.76
● 3672A	Aluminum traction tread plate/rubber, 2" (50.8)	\$22.54	\$73.95
● 3672BK	Black anodized traction tread plate/rubber, 2" (50.8)	\$33.14	\$108.73
● 3672D	Dark bronze anodized traction tread plate/rubber, 2" (50.8)	\$31.73	\$104.10
● 3672G	Gold anodized Traction tread plate/rubber, 2" (50.8)	\$34.53	\$113.29
● 3673A	Aluminum traction tread plate/rubber insert, 3" (76.2)	\$33.40	\$109.58
● 3673BK	Black anodized traction tread plate/rubber insert, 3" (76.2)	\$50.09	\$164.34
● 3673D	Dark bronze anodized traction tread plate/rubber insert, 3" (76.2)	\$48.00	\$157.48
● 3673G	Gold anodized traction tread plate/rubber insert, 3" (76.2)	\$52.20	\$171.26
● 3674A	Aluminum traction tread plate/rubber insert, 4" (101.6)	\$44.68	\$146.59
● 3674BK	Black anodized traction tread plate/rubber insert, 4" (101.6)	\$65.86	\$216.08
● 3674D	Dark bronze anodized traction tread plate/rubber insert, 4" (101.6)	\$63.09	\$206.99
● 3674G	Gold anodized traction tread plate/rubber insert, 4" (101.6)	\$68.62	\$225.13
● 3675A	Aluminum traction tread plate/rubber insert, 5" (127.0)	\$54.67	\$179.36
● 3675BK	Black anodized traction tread plate/rubber insert, 5" (127.0)	\$81.90	\$268.70
● 3675D	Dark bronze anodized traction tread plate/rubber insert, 5" (127.0)	\$78.44	\$257.35
● 3675G	Gold anodized traction tread plate/rubber insert, 5" (127.0)	\$85.34	\$279.99
● 3676A	Aluminum traction tread plate/rubber/photo-luminescent tread insert, 6" (152.4)	\$65.85	\$216.04
● 3676BK	Black anodized traction tread plate/rubber/photo-luminescent tread insert, 6" (152.4)	\$95.83	\$314.40
● 3676D	Dark bronze anodized traction tread plate/rubber/photo-luminescent tread insert, 6" (152.4)	\$91.79	\$301.15
● 3676G	Gold anodized traction tread plate/rubber/photo-luminescent tread insert, 6" (152.4)	\$99.85	\$327.59
● 3676N	Tread rubber for aluminum thresholds - extrusion, .24" x .175"	\$4.45	\$14.60

● Supplied without mounting holes.

Note: Special anchors available for mounting most thresholds on concrete surfaces. Suitable for use as recessed expansion joint floor plate for ADA openings.



ADJUSTABLE THRESHOLDS		LIST PRICE	
Part number	Description	Per Foot	Per Meter
● 6710A	Aluminum plate, 10" (254.0)	\$62.94	\$206.50
● 6710BL	Black anodized plate, 10" (254.0)	\$94.32	\$309.45
● 6710D	Dark bronze anodized plate, 10" (254.0)	\$90.36	\$296.46
● 6710G	Gold anodized plate, 10" (254.0)	\$98.28	\$322.44

- Supplied without mounting holes.

Note: Special anchors available for mounting most thresholds on concrete surfaces. Suitable for use as recessed expansion joint floor plate for ADA openings.



RAMPS		LIST PRICE	
Part number	Description	Per Foot	Per Meter
● 232A	Aluminum ramp, 6" (152.4), 1/2" x 1" (12.7 x 25.4)	\$38.22	\$125.39
● 232BK	Black anodized ramp, 6" (152.4), 1/2" x 1" (12.7 x 25.4)	\$55.27	\$181.33
● 232D	Dark bronze anodized ramp, 6" (152.4), 1/2" x 1" (12.7 x 25.4)	\$52.91	\$173.59
● 232G	Gold anodized ramp, 6" (152.4), 1/2" x 1" (12.7 x 25.4)	\$57.63	\$189.07
● 233A	Aluminum ramp, 3" (76.2)	\$17.76	\$58.27
● 233BK	Black anodized ramp, 3" (76.2)	\$27.12	\$88.98
● 233D	Dark bronze anodized ramp, 3" (76.2)	\$25.99	\$85.27
● 233G	Gold anodized ramp, 3" (76.2)	\$28.26	\$92.72
● 234A	Aluminum ramp, 3" (76.2), 1/4" x 1/2" (6.4 x 12.7)	\$17.76	\$58.27
● 234BK	Black anodized ramp, 3" (76.2), 0-1/4" (6.4)	\$27.12	\$88.98
● 234D	Dark bronze anodized ramp, 3" (76.2), 0-1/4" x 1/2" (6.4 x 12.7)	\$25.99	\$85.27
● 234G	Gold anodized ramp, 3" (76.2), 0-1/4" (6.4)	\$28.26	\$92.72
● 235A	Aluminum ramp, 3" (76.2), 0-1/4" (6.4)	\$17.76	\$58.27
● 235BK	Black anodized ramp, 3" (76.2), 0-1/4" (6.4)	\$27.12	\$88.98
● 235D	Dark bronze anodized ramp, 3" (76.2), 0-1/4" x 1/2" (6.4 x 12.7)	\$25.99	\$85.27
● 235G	Gold anodized ramp, 3" (76.2), 0-1/4" (6.4)	\$28.26	\$92.72
● 236A	Aluminum ramp, 6" (152.4)	\$23.06	\$75.66
● 236BK	Black anodized ramp, 6" (152.4)	\$35.31	\$115.85
● 236D	Dark bronze anodized ramp, 6" (152.4)	\$33.79	\$110.86
● 236G	Gold anodized ramp, 6" (152.4)	\$36.81	\$120.77
● 237A	Aluminum ramp, 3-1/2" (88.9), 1/4" x 1/2"	\$25.83	\$84.74
● 237BK	Black anodized ramp, 3-1/2" (88.9), 1/4" x 1/2"	\$38.42	\$126.05
● 237D	Dark bronze anodized ramp, 3-1/2" (88.9), 1/4" x 1/2"	\$36.80	\$120.73
● 237G	Gold anodized ramp, 3-1/2" (88.9), 1/4" x 1/2"	\$40.04	\$131.36
● 238A	Aluminum ramp, 3-1/2" (88.9), 1/4" x 3/4"	\$25.83	\$84.74
● 238BK	Black anodized ramp, 3-1/2" (88.9), 1/4" x 3/4"	\$38.42	\$126.05
● 238D	Dark bronze anodized ramp, 3-1/2" (88.9), 1/4" x 3/4"	\$36.80	\$120.73
● 238G	Gold anodized ramp, 3-1/2" (88.9), 1/4" x 3/4"	\$40.04	\$131.36
● 259R	Rubber ramp, 6" x 1/2" (152.4 x 12.7)	\$42.83	\$140.52
● 2361AA	Clear anodized ramp, 3.94" x .500" (100.1 x 12.7)	\$19.13	\$62.76
● 2361BK	Black anodized ramp, 3.94" x .500" (100.1 x 12.7)	\$28.57	\$93.73
● 2361D	Dark bronze anodized ramp, 3.94" x .500" (100.1 x 12.7)	\$27.37	\$89.80
● 2361G	Gold anodized ramp, 3.94" x .500" (100.1 x 12.7)	\$29.78	\$97.70

● Supplied without mounting holes.

Note: Special anchors available for mounting most thresholds on concrete surfaces.



SPECIALIZED THRESHOLD SOLUTIONS		LIST PRICE
Part number	Description	/inch x /ft.
● 600CP	Aluminum cover plate wide max. - submit template with order, 48" x 1/8" (1219.2 x 3.2)	\$7.11
● 600CPBK	Black anodized cover plate wide max. - submit template with order, 48" x 1/8" (1219.2 x 3.2)	\$11.18
● 600CPD	Dark bronze anodized cover plate wide max. - submit template with order, 48" x 1/8" (1219.2 x 3.2)	\$10.72
● 600CPG	Gold anodized cover plate wide max. - submit template with order, 48" x 1/8" (1219.2 x 3.2)	\$11.65
● 601CP	Aluminum cover plate wide max. - submit template with order, 48" x 1/4" (1219.2 x 6.4)	\$13.33
● 601CPBK	Black anodized cover plate wide max. - submit template with order, 48" x 1/4" (1219.2 x 6.4)	\$20.38
● 601CPD	Dark bronze anodized cover plate wide max. - submit template with order, 48" x 1/4" (1219.2 x 6.4)	\$19.52
● 601CPG	Gold anodized cover plate wide max. - submit template with order, 48" x 1/4" (1219.2 x 6.4)	\$21.25

● Supplied without mounting holes.  
 Special anchors available for mounting most thresholds on concrete surfaces. Model 6570 (see [Thresholds](#) section on page 9) may also be suitable for this application (Type 1 only), depending on configuration with floor-mounted automatic door closers. Check that the bevel allows adequate clearance.

SPECIALIZED THRESHOLD SOLUTIONS		LIST PRICE	
Part number	Description	Per Foot	Per Meter
● 657A	Aluminum threshold, 7" (177.8) wide	\$42.90	\$140.75
● 657BK	Black anodized threshold, 7" (177.8) wide	\$63.68	\$208.92
● 657D	Dark bronze anodized threshold, 7" (177.8) wide	\$60.97	\$200.03
● 657G	Gold anodized threshold, 7" (177.8) wide	\$66.41	\$217.88
669DP-A	Aluminum custom fabricated bulkhead	Custom Product - submit <a href="#">template</a> to Eng. Specials (see page 54)	
669DP-S	Steel custom fabricated bulkhead	Custom Product - submit <a href="#">template</a> to Eng. Specials (see page 54)	
669DP-STST	Stainless steel custom fabricated	Custom Product - submit <a href="#">template</a> to Eng. Specials (see page 54)	
8452A	Wheelchair shower threshold	\$22.97	\$75.36
8452BK	Black anodized wheelchair shower threshold	\$34.47	\$113.09
8452D	Dark bronze anodized wheelchair shower threshold	\$33.03	\$108.37
8452G	Gold anodized wheelchair shower threshold	\$35.93	\$117.88
8452N	2" Wide threshold seal - EPDM rubber	\$10.03	\$32.91

● Supplied without mounting holes.  
 Special anchors available for mounting most thresholds on concrete surfaces. Model 6570 (see [Thresholds](#) section on page 9) may also be suitable for this application (Type 1 only), depending on configuration with floor-mounted automatic door closers. Check that the bevel allows adequate clearance.



THRESHOLDS

AUTOMATIC DOOR BOTTOMS

PERIMETER SEALS

WEATHERSTRIPPING

SOLUTIONS & SPECIALTY PRODUCTS

PARTS

this page intentionally blank



# Automatic door bottoms

HEAVY DUTY			
Part number	Description	Size	List price each
360AA	Clear anodized/mortised automatic door bottom Heavy duty	10" - 18" (305 - 457)	\$158.98
		18-1/8" - 36" (460 - 914)	\$127.13
		36-1/8" - 48" (917 - 1219)	\$144.27
		48-1/8" - 54" (1222 - 1371)	\$180.44
		54-1/8" - 60" (1375 - 1524)	\$232.67
361AA	Clear anodized automatic door bottom Heavy duty	10" - 18" (305 - 457)	\$182.98
		18-1/8" - 36" (460 - 914)	\$144.39
		36-1/8" - 48" (917 - 1219)	\$160.09
		48-1/8" - 54" (1222 - 1371)	\$200.17
		54-1/8" - 60" (1375 - 1524)	\$250.23
361BK	Black anodized automatic door bottom Heavy duty	10" - 18" (305 - 457)	\$253.80
		18-1/8" - 36" (460 - 914)	\$203.02
		36-1/8" - 48" (917 - 1219)	\$212.22
		48-1/8" - 54" (1222 - 1371)	\$265.31
		54-1/8" - 60" (1375 - 1524)	\$331.62
361D	Dark bronze anodized automatic door bottom Heavy duty	10" - 18" (305 - 457)	\$253.80
		18-1/8" - 36" (460 - 914)	\$203.02
		36-1/8" - 48" (917 - 1219)	\$212.22
		48-1/8" - 54" (1222 - 1371)	\$265.31
		54-1/8" - 60" (1375 - 1524)	\$331.62
361G	Gold anodized automatic door bottom Heavy duty	10" - 18" (305 - 457)	\$253.80
		18-1/8" - 36" (460 - 914)	\$203.02
		36-1/8" - 48" (917 - 1219)	\$212.22
		48-1/8" - 54" (1222 - 1371)	\$265.31
		54-1/8" - 60" (1375 - 1524)	\$331.62
362AA	Clear anodized automatic door bottom Heavy duty	10" - 18" (305 - 457)	\$182.98
		18-1/8" - 36" (460 - 914)	\$144.39
		36-1/8" - 48" (917 - 1219)	\$160.09
		48-1/8" - 54" (1222 - 1371)	\$200.17
		54-1/8" - 60" (1375 - 1524)	\$250.23
362BK	Black anodized automatic door bottom Heavy duty	10" - 18" (305 - 457)	\$253.80
		18-1/8" - 36" (460 - 914)	\$203.02
		36-1/8" - 48" (917 - 1219)	\$212.22
		48-1/8" - 54" (1222 - 1371)	\$265.31
		54-1/8" - 60" (1375 - 1524)	\$331.62
362D	Dark bronze anodized automatic door bottom Heavy duty	10" - 18" (305 - 457)	\$253.80
		18-1/8" - 36" (460 - 914)	\$203.02
		36-1/8" - 48" (917 - 1219)	\$212.22
		48-1/8" - 54" (1222 - 1371)	\$265.31
		54-1/8" - 60" (1375 - 1524)	\$331.62

Maximum order length is 60" unless noted otherwise. Lengths up to 96" on some models available as Engineering Special order.  
Lengths 10" - 18" available only with light spring drop mechanism. Not recommended for maximum drop greater than .500".

THRESHOLDS

AUTOMATIC DOOR BOTTOMS

PERIMETER SEALS

WEATHERSTRIPPING

SOLUTIONS & SPECIALTY PRODUCTS

PARTS



HEAVY DUTY			
Part number	Description	Size	List price each
362G	Gold anodized automatic door bottom Heavy duty	10" - 18" (305 - 457)	\$253.80
		18-1/8" - 36" (460 - 914)	\$203.02
		36-1/8" - 48" (917 - 1219)	\$212.22
		48-1/8" - 54" (1222 - 1371)	\$265.31
		54-1/8" - 60" (1375 - 1524)	\$331.62
364AA	Clear anodized/mortised automatic door bottom Heavy duty	10" - 18" (305 - 457)	\$166.95
		18-1/8" - 36" (460 - 914)	\$133.48
		36-1/8" - 48" (917 - 1219)	\$151.06
		48-1/8" - 54" (1222 - 1371)	\$188.94
		54-1/8" - 60" (1375 - 1524)	\$236.15
364FS-AA	Clear anodized/mortised automatic door bottom Heavy duty/intumescent	18-1/8" - 36" (460 - 914)	\$189.61
		36-1/8" - 48" (917 - 1219)	\$224.03
		48-1/8" - 54" (1222 - 1371)	\$330.54
		54-1/8" - 60" (1375 - 1524)	\$396.34
365AA	Clear anodized automatic door bottom Heavy duty	10" - 18" (305 - 457)	\$189.31
		18-1/8" - 36" (460 - 914)	\$151.41
		36-1/8" - 48" (917 - 1219)	\$175.90
		48-1/8" - 54" (1222 - 1371)	\$219.89
		54-1/8" - 60" (1375 - 1524)	\$274.85
365BK	Black anodized automatic door bottom Heavy duty	10" - 18" (305 - 457)	\$263.41
		18-1/8" - 36" (460 - 914)	\$210.72
		36-1/8" - 48" (917 - 1219)	\$213.78
		48-1/8" - 54" (1222 - 1371)	\$267.24
		54-1/8" - 60" (1375 - 1524)	\$334.04
365D	Dark bronze anodized automatic door bottom Heavy duty	10" - 18" (305 - 457)	\$263.41
		18-1/8" - 36" (460 - 914)	\$210.72
		36-1/8" - 48" (917 - 1219)	\$213.78
		48-1/8" - 54" (1222 - 1371)	\$267.24
		54-1/8" - 60" (1375 - 1524)	\$334.04
365G	Gold anodized automatic door bottom Heavy duty	10" - 18" (305 - 457)	\$263.41
		18-1/8" - 36" (460 - 914)	\$210.72
		36-1/8" - 48" (917 - 1219)	\$213.78
		48-1/8" - 54" (1222 - 1371)	\$267.24
		54-1/8" - 60" (1375 - 1524)	\$334.04
365FS-AA	Clear anodized automatic door bottom Heavy duty/intumescent	18-1/8" - 36" (460 - 914)	\$198.45
		36-1/8" - 48" (917 - 1219)	\$238.15
		48-1/8" - 54" (1222 - 1371)	\$353.71
		54-1/8" - 60" (1375 - 1524)	\$424.41
365FS-BK	Black anodized automatic door bottom Heavy duty/intumescent	18-1/8" - 36" (460 - 914)	\$262.22
		36-1/8" - 48" (917 - 1219)	\$281.14
		48-1/8" - 54" (1222 - 1371)	\$419.48
		54-1/8" - 60" (1375 - 1524)	\$503.37

Maximum order length is 60" unless noted otherwise. Lengths up to 96" on some models available as Engineering Special order.  
Lengths 10" - 18" available only with light spring drop mechanism. Not recommended for maximum drop greater than .500".



HEAVY DUTY			
Part number	Description	Size	List price each
365FS-D	Dark bronze anodized automatic door bottom Heavy duty/intumescent	18-1/8" – 36" (460 – 914)	\$262.22
		36-1/8" – 48" (917 – 1219)	\$281.14
		48-1/8" – 54" (1222 – 1371)	\$419.48
		54-1/8" – 60" (1375 – 1524)	\$503.37
365FS-G	Gold anodized automatic door bottom Heavy duty/intumescent	18-1/8" – 36" (460 – 914)	\$262.22
		36-1/8" – 48" (917 – 1219)	\$281.14
		48-1/8" – 54" (1222 – 1371)	\$419.48
		54-1/8" – 60" (1375 – 1524)	\$503.37
366AA	Clear anodized automatic door bottom Heavy duty	10" – 18" (305 – 457)	\$187.73
		18-1/8" – 36" (460 – 914)	\$150.13
		36-1/8" – 48" (917 – 1219)	\$174.41
		48-1/8" – 54" (1222 – 1371)	\$218.04
		54-1/8" – 60" (1375 – 1524)	\$272.53
366BK	Black anodized automatic door bottom Heavy duty	10" – 18" (305 – 457)	\$261.50
		18-1/8" – 36" (460 – 914)	\$209.18
		36-1/8" – 48" (917 – 1219)	\$212.22
		48-1/8" – 54" (1222 – 1371)	\$265.31
		54-1/8" – 60" (1375 – 1524)	\$331.62
366D	Dark bronze anodized automatic door bottom Heavy duty	10" – 18" (305 – 457)	\$261.50
		18-1/8" – 36" (460 – 914)	\$209.18
		36-1/8" – 48" (917 – 1219)	\$212.22
		48-1/8" – 54" (1222 – 1371)	\$265.31
		54-1/8" – 60" (1375 – 1524)	\$331.62
366G	Gold anodized automatic door bottom Heavy duty	10" – 18" (305 – 457)	\$261.50
		18-1/8" – 36" (460 – 914)	\$209.18
		36-1/8" – 48" (917 – 1219)	\$212.22
		48-1/8" – 54" (1222 – 1371)	\$265.31
		54-1/8" – 60" (1375 – 1524)	\$331.62
366FS-AA	Anodized automatic door bottom Heavy duty/intumescent	18-1/8" – 36" (460 – 914)	\$202.19
		36-1/8" – 48" (917 – 1219)	\$242.64
		48-1/8" – 54" (1222 – 1371)	\$360.39
		54-1/8" – 60" (1375 – 1524)	\$432.42
366FS-BK	Black anodized automatic door bottom Heavy duty/intumescent	18-1/8" – 36" (460 – 914)	\$267.16
		36-1/8" – 48" (917 – 1219)	\$286.44
		48-1/8" – 54" (1222 – 1371)	\$427.40
		54-1/8" – 60" (1375 – 1524)	\$512.87
366FS-D	Dark bronze anodized automatic door bottom Heavy duty/intumescent	18-1/8" – 36" (460 – 914)	\$267.16
		36-1/8" – 48" (917 – 1219)	\$286.44
		48-1/8" – 54" (1222 – 1371)	\$427.40
		54-1/8" – 60" (1375 – 1524)	\$512.87
366FS-G	Gold anodized automatic door bottom Heavy duty/intumescent	18-1/8" – 36" (460 – 914)	\$267.16
		36-1/8" – 48" (917 – 1219)	\$286.44
		48-1/8" – 54" (1222 – 1371)	\$427.40
		54-1/8" – 60" (1375 – 1524)	\$512.87

Maximum order length is 60" unless noted otherwise. Lengths up to 96" on some models available as Engineering Special order.  
Lengths 10" - 18" available only with light spring drop mechanism. Not recommended for maximum drop greater than .500".





HEAVY DUTY			
Part number	Description	Size	List price each
367AA	Clear anodized automatic door bottom Heavy duty/acoustic sound reduction	10" - 18" (305 - 457)	\$245.38
		18-1/8" - 36" (460 - 914)	\$188.73
		36-1/8" - 48" (917 - 1219)	\$217.02
367BK	Black anodized automatic door bottom Heavy duty/acoustic sound reduction	10" - 18" (305 - 457)	\$294.33
		18-1/8" - 36" (460 - 914)	\$233.46
		36-1/8" - 48" (917 - 1219)	\$268.55
367D	Dark bronze anodized automatic door bottom Heavy duty/acoustic sound reduction	10" - 18" (305 - 457)	\$294.33
		18-1/8" - 36" (460 - 914)	\$233.46
		36-1/8" - 48" (917 - 1219)	\$268.55
367G	Gold anodized automatic door bottom Heavy duty/acoustic sound reduction	10" - 18" (305 - 457)	\$294.33
		18-1/8" - 36" (460 - 914)	\$233.46
		36-1/8" - 48" (917 - 1219)	\$268.55
368AA	Clear anodized automatic door bottom Heavy duty/acoustic sound reduction	10" - 18" (305 - 457)	\$245.38
		18-1/8" - 36" (460 - 914)	\$188.73
		36-1/8" - 48" (917 - 1219)	\$217.02
368BK	Black anodized automatic door bottom Heavy duty/acoustic sound reduction	12" - 18" (305 - 457)	\$294.33
		18-1/8" - 36" (460 - 914)	\$233.46
		36-1/8" - 48" (917 - 1219)	\$268.55
368D	Dark bronze anodized automatic door bottom Heavy duty/acoustic sound reduction	10" - 18" (305 - 457)	\$294.33
		18-1/8" - 36" (460 - 914)	\$233.46
		36-1/8" - 48" (917 - 1219)	\$268.55
368G	Gold anodized automatic door bottom Heavy duty/acoustic sound reduction	10" - 18" (305 - 457)	\$294.33
		18-1/8" - 36" (460 - 914)	\$233.46
		36-1/8" - 48" (917 - 1219)	\$268.55
369AA	Clear anodized/mortised automatic door bottom Heavy duty/acoustic sound reduction	10" - 18" (305 - 457)	\$215.23
		18-1/8" - 36" (460 - 914)	\$161.84
		36-1/8" - 48" (917 - 1219)	\$186.08

Maximum order length is 60" unless noted otherwise. Lengths up to 96" on some models available as Engineering Special order.  
Lengths 10" - 18" available only with light spring drop mechanism. Not recommended for maximum drop greater than .500".

REGULAR DUTY			
Part number	Description	Size/Type	List price each
350AA	Clear anodized/mortised automatic door bottom	10" - 18" (305 - 457)	\$111.10
		18-1/8" - 36" (460 - 914)	\$83.99
		36-1/8" - 48" (917 - 1219)	\$89.48
		48-1/8" - 54" (1222 - 1371)	\$111.79
		54-1/8" - 60" (1375 - 1524)	\$139.82
351AA	Clear anodized automatic door bottom	10" - 18" (305 - 457)	\$129.42
		18-1/8" - 36" (460 - 914)	\$103.54
		36-1/8" - 48" (917 - 1219)	\$124.36
		48-1/8" - 54" (1222 - 1371)	\$155.52
		54-1/8" - 60" (1375 - 1524)	\$194.43

Maximum order length is 60" unless noted otherwise. Lengths up to 96" on some models available as Engineering Special order.  
Lengths 10" - 18" available only with light spring drop mechanism. Not recommended for maximum drop greater than .500".



REGULAR DUTY			
Part number	Description	Size/Type	List price each
351BK	Black anodized automatic door bottom	10" - 18" (305 - 457)	\$151.37
		18-1/8" - 36" (460 - 914)	\$121.07
		36-1/8" - 48" (917 - 1219)	\$167.30
		48-1/8" - 54" (1222 - 1371)	\$209.18
		54-1/8" - 60" (1375 - 1524)	\$261.50
351S-BK	Silicone extrusion, .433" wide	Replacement gasket	\$6.40
351D	Dark bronze anodized automatic door bottom	10" - 18" (305 - 457)	\$151.37
		18-1/8" - 36" (460 - 914)	\$121.07
		36-1/8" - 48" (917 - 1219)	\$167.30
		48-1/8" - 54" (1222 - 1371)	\$209.18
		54-1/8" - 60" (1375 - 1524)	\$261.50
351G	Gold anodized automatic door bottom	10" - 18" (305 - 457)	\$151.37
		18-1/8" - 36" (460 - 914)	\$121.07
		36-1/8" - 48" (917 - 1219)	\$167.30
		48-1/8" - 54" (1222 - 1371)	\$209.18
		54-1/8" - 60" (1375 - 1524)	\$261.50
352AA	Clear anodized automatic door bottom	10" - 18" (305 - 457)	\$129.42
		18-1/8" - 36" (460 - 914)	\$103.54
		36-1/8" - 48" (917 - 1219)	\$124.36
		48-1/8" - 54" (1222 - 1371)	\$155.52
		54-1/8" - 60" (1375 - 1524)	\$194.43
352BK	Black anodized automatic door bottom	10" - 18" (305 - 457)	\$151.37
		18-1/8" - 36" (460 - 914)	\$121.07
		36-1/8" - 48" (917 - 1219)	\$167.30
		48-1/8" - 54" (1222 - 1371)	\$209.18
		54-1/8" - 60" (1375 - 1524)	\$261.50
352D	Dark bronze anodized automatic door bottom	10" - 18" (305 - 457)	\$151.37
		18-1/8" - 36" (460 - 914)	\$121.07
		36-1/8" - 48" (917 - 1219)	\$167.30
		48-1/8" - 54" (1222 - 1371)	\$209.18
		54-1/8" - 60" (1375 - 1524)	\$261.50
352G	Gold anodized automatic door bottom Regular duty	10" - 18" (305 - 457)	\$151.37
		18-1/8" - 36" (460 - 914)	\$121.07
		36-1/8" - 48" (917 - 1219)	\$167.30
		48-1/8" - 54" (1222 - 1371)	\$209.18
		54-1/8" - 60" (1375 - 1524)	\$261.50
355AA	Aluminum/mortised automatic door bottom Regular duty	10" - 36" (254 - 914)	\$88.98
		36-1/8" - 48" (917 - 1219)	\$100.84
		48-1/8" - 54" (1222 - 1371)	\$123.62
3551	Aluminum/mortised automatic door bottom Regular duty	18-1/8" - 36" (460 - 914)	\$85.79
		36-1/8" - 48" (917 - 1219)	\$97.22
		48-1/8" - 54" (1222 - 1371)	\$119.18
3552	Aluminum/mortised/regular duty/brush automatic door bottom Regular duty	18-1/8" - 36" (460 - 914)	\$90.74
		36-1/8" - 48" (917 - 1219)	\$102.84
		48-1/8" - 54" (1222 - 1371)	\$126.04

Maximum order length is 60" unless noted otherwise. Lengths up to 96" on some models available as Engineering Special order.  
Lengths 10" - 18" available only with light spring drop mechanism. Not recommended for maximum drop greater than .500".



LIGHT DUTY			
Part number	Description	Size	List price each
320AA	Clear anodized/lite duty mortised Automatic door bottom	10" – 18" (305 – 457)	\$87.17
		18-1/8" – 36" (460 – 914)	\$72.64
		36-1/8" – 48" (917 – 1219)	\$77.43
		48-1/8" – 54" (1222 – 1371)	\$96.77
		54-1/8" – 60" (1375 – 1524)	\$120.02
321AA	Clear anodized/lite duty Automatic door bottom Handing is reversible in field	10" – 18" (305 – 457)	\$103.49
		18-1/8" – 36" (460 – 914)	\$88.10
		36-1/8" – 48" (917 – 1219)	\$113.42
		48-1/8" – 54" (1222 – 1371)	\$141.98
		54-1/8" – 60" (1375 – 1524)	\$177.44
321BK	Black anodized/lite duty automatic door bottom Handing is reversible in field	10" – 18" (305 – 457)	\$132.14
		18-1/8" – 36" (460 – 914)	\$110.12
		36-1/8" – 48" (917 – 1219)	\$152.26
		48-1/8" – 54" (1222 – 1371)	\$190.28
		54-1/8" – 60" (1375 – 1524)	\$237.86
321D	Dark bronze anodized/lite duty automatic door bottom Handing is reversible in field	10" – 18" (305 – 457)	\$132.14
		18-1/8" – 36" (460 – 914)	\$110.12
		36-1/8" – 48" (917 – 1219)	\$152.26
		48-1/8" – 54" (1222 – 1371)	\$190.28
		54-1/8" – 60" (1375 – 1524)	\$237.86
321G	Gold anodized/lite duty automatic door bottom Handing is reversible in field	10" – 18" (305 – 457)	\$132.14
		18-1/8" – 36" (460 – 914)	\$110.12
		36-1/8" – 48" (917 – 1219)	\$152.26
		48-1/8" – 54" (1222 – 1371)	\$190.28
		54-1/8" – 60" (1375 – 1524)	\$237.86
323AA	Aluminum/mortised automatic door bottom Handed	10" – 18" (305 – 457)	\$85.06
		18-1/8" – 36" (460 – 914)	\$70.88
		36-1/8" – 48" (917 – 1219)	\$75.53
		48-1/8" – 54" (1222 – 1371)	\$94.41
		54-1/8" – 60" (1375 – 1524)	\$117.98

Maximum order length is 60" unless noted otherwise. Lengths up to 96" on some models available as Engineering Special order.  
Lengths 10" - 18" available only with light spring drop mechanism. Not recommended for maximum drop greater than .500".

SPECIAL PURPOSE			
Sliding and pocket doors			
Part number	Description	Size	List price each
7350AA	Clear anodized/mortised automatic door bottom for sliding doors	10" – 18" (305 – 457)	\$110.96
		18-1/8" – 36" (460 – 914)	\$83.86
		36-1/8" – 48" (917 – 1219)	\$89.35
		48-1/8" – 54" (1222 – 1371)	\$111.64
		54-1/8" – 60" (1375 – 1524)	\$139.66



SPECIAL PURPOSE			
ADA Compliant door bottoms			
Part number	Description	Size	List price each
323AA-LS	Aluminum/mortised automatic door bottom, handed Light spring/low force	10" – 18" (305 – 457)	\$89.31
		18-1/8" – 36" (460 – 914)	\$74.42
		36-1/8" – 48" (917 – 1219)	\$79.31
		48-1/8" – 54" (1222 – 1371)	\$94.41
		54-1/8" – 60" (1375 – 1524)	\$117.98
350AA-LS	Clear anodized/mortised automatic door bottom Light spring/low force	10" – 18" (305 – 457)	\$118.72
		18-1/8" – 36" (460 – 914)	\$94.91
		36-1/8" – 48" (917 – 1219)	\$100.60
351AA-LS	Clear anodized automatic door bottom Light spring/low force	10" – 18" (305 – 457)	\$140.11
		18-1/8" – 36" (460 – 914)	\$112.13
		36-1/8" – 48" (917 – 1219)	\$132.95
351BK-LS	Black anodized automatic door bottom Light spring/low force	10" – 18" (305 – 457)	\$162.90
		18-1/8" – 36" (460 – 914)	\$130.30
		36-1/8" – 48" (917 – 1219)	\$176.86
351D-LS	Dark bronze anodized automatic door bottom Light spring/low force	10" – 18" (305 – 457)	\$162.90
		18-1/8" – 36" (460 – 914)	\$130.30
		36-1/8" – 48" (917 – 1219)	\$176.86
351G-LS	Gold anodized automatic door bottom Light spring/low force	10" – 18" (305 – 457)	\$162.90
		18-1/8" – 36" (460 – 914)	\$130.30
		36-1/8" – 48" (917 – 1219)	\$176.86
352AA-LS	Clear anodized automatic door bottom Light spring/low force	10" – 18" (305 – 457)	\$140.11
		18-1/8" – 36" (460 – 914)	\$112.13
		36-1/8" – 48" (917 – 1219)	\$132.95
352BK-LS	Black anodized automatic door bottom Light spring/low force	10" – 18" (305 – 457)	\$162.90
		18-1/8" – 36" (460 – 914)	\$130.30
		36-1/8" – 48" (917 – 1219)	\$176.86
352D-LS	Dark bronze anodized automatic door bottom Light spring/low force	10" – 18" (305 – 457)	\$162.90
		18-1/8" – 36" (460 – 914)	\$130.30
		36-1/8" – 48" (917 – 1219)	\$176.86
352G-LS	Gold anodized automatic door bottom Light spring/low force	10" – 18" (305 – 457)	\$162.90
		18-1/8" – 36" (460 – 914)	\$130.30
		36-1/8" – 48" (917 – 1219)	\$176.86
360AA-LS	Clear anodized/mortised automatic door bottom Light spring/low force	10" – 18" (305 – 457)	\$166.92
		18-1/8" – 36" (460 – 914)	\$133.51
		36-1/8" – 48" (917 – 1219)	\$151.49
		48-1/8" – 54" (1222 – 1371)	\$180.44
		54-1/8" – 60" (1375 – 1524)	\$232.67
361AA-LS	Clear anodized automatic door bottom Light spring/low force	10" – 18" (305 – 457)	\$192.15
		18-1/8" – 36" (460 – 914)	\$151.63
		36-1/8" – 48" (917 – 1219)	\$168.11
		48-1/8" – 54" (1222 – 1371)	\$200.17
		54-1/8" – 60" (1375 – 1524)	\$250.23
361BK-LS	Black anodized automatic door bottom Light spring/low force	10" – 18" (305 – 457)	\$266.50
		18-1/8" – 36" (460 – 914)	\$213.19
		36-1/8" – 48" (917 – 1219)	\$222.81
		48-1/8" – 54" (1222 – 1371)	\$265.31
		54-1/8" – 60" (1375 – 1524)	\$331.62

THRESHOLDS

AUTOMATIC DOOR BOTTOMS

PERIMETER SEALS

WEATHERSTRIPPING

SOLUTIONS & SPECIALTY PRODUCTS

PARTS



SPECIAL PURPOSE			
ADA Compliant door bottoms (continued)			
Part number	Description	Size	List price each
361D-LS	Dark bronze anodized automatic door bottom Light spring/low force	10" – 18" (305 – 457)	\$266.50
		18-1/8" – 36" (460 – 914)	\$213.19
		36-1/8" – 48" (917 – 1219)	\$222.81
		48-1/8" – 54" (1222 – 1371)	\$265.31
		54-1/8" – 60" (1375 – 1524)	\$331.62
361G-LS	Gold anodized automatic door bottom Light spring/low force	10" – 18" (305 – 457)	\$266.50
		18-1/8" – 36" (460 – 914)	\$213.19
		36-1/8" – 48" (917 – 1219)	\$222.81
		48-1/8" – 54" (1222 – 1371)	\$265.31
		54-1/8" – 60" (1375 – 1524)	\$331.62
364AA-LS	Clear anodized/mortised automatic door bottom Light spring/low force	10" – 18" (305 – 457)	\$190.02
		18-1/8" – 36" (460 – 914)	\$151.96
		36-1/8" – 48" (917 – 1219)	\$170.78
365AA-LS	Clear anodized automatic door bottom Heavy duty/intumescent	10" – 18" (305 – 457)	\$199.98
		18-1/8" – 36" (460 – 914)	\$160.06
		36-1/8" – 48" (917 – 1219)	\$184.57
365BK-LS	Black anodized automatic door bottom Light spring/low force	10" – 18" (305 – 457)	\$275.00
		18-1/8" – 36" (460 – 914)	\$220.02
		36-1/8" – 48" (917 – 1219)	\$224.18
365D-LS	Dark bronze anodized automatic door bottom Light spring/low force	10" – 18" (305 – 457)	\$275.00
		18-1/8" – 36" (460 – 914)	\$220.02
		36-1/8" – 48" (917 – 1219)	\$223.14
365G-LS	Gold anodized automatic door bottom Light spring/low force	10" – 18" (305 – 457)	\$275.00
		18-1/8" – 36" (460 – 914)	\$220.02
		36-1/8" – 48" (917 – 1219)	\$223.14
366AA-LS	Clear anodized automatic door bottom Light spring/low force	10" – 18" (305 – 457)	\$198.31
		18-1/8" – 36" (460 – 914)	\$158.70
		36-1/8" – 48" (917 – 1219)	\$183.01
366LBK-LS	Black anodized automatic door bottom Light spring/low force	10" – 18" (305 – 457)	\$273.00
		18-1/8" – 36" (460 – 914)	\$218.42
		36-1/8" – 48" (917 – 1219)	\$221.51
366D-LS	Dark bronze anodized automatic door bottom Light spring/low force	10" – 18" (305 – 457)	\$273.00
		18-1/8" – 36" (460 – 914)	\$218.42
		36-1/8" – 48" (917 – 1219)	\$221.51
366G-LS	Gold anodized automatic door bottom Light spring/low force	10" – 18" (305 – 457)	\$273.00
		18-1/8" – 36" (460 – 914)	\$218.42
		36-1/8" – 48" (917 – 1219)	\$221.51
7350AA-LS	Clear anodized/mortised automatic door bottom for sliding doors Light spring/low force	10" – 18" (305 – 457)	\$116.50
		18-1/8" – 36" (460 – 914)	\$88.08
		36-1/8" – 48" (917 – 1219)	\$93.83
		48-1/8" – 54" (1222 – 1371)	\$111.64
		54-1/8" – 60" (1375 – 1524)	\$139.66



## Perimeter seals

SPECIALIZED PERIMETER SEAL ACCESSORIES		LIST PRICE	
Part number	Description	Per Foot	Per Meter
11A	Aluminum rain drip	\$6.28	\$20.60
11BK	Black anodized rain drip	\$8.93	\$29.30
11D	Dark bronze anodized rain drip	\$8.93	\$29.30
11G	Gold anodized rain drip	\$8.93	\$29.30
25AA	Clear anodized extruded aluminum angle	\$3.59	\$11.78
25BK	Black anodized angle	\$7.01	\$23.00
25D	Dark bronze anodized angle	\$7.01	\$23.00
25G	Gold anodized angle	\$7.01	\$23.00
141AA	Clear anodized extruded rain drip	\$12.30	\$40.35
141BK	Black anodized extruded rain drip	\$20.05	\$65.78
141D	Dark bronze anodized extruded rain drip	\$20.05	\$65.78
141G	Gold anodized extruded rain drip	\$20.05	\$65.78
142AA	Clear anodized extruded rain drip	\$10.56	\$34.65
142BK	Black anodized rain drip	\$18.28	\$59.97
142D	Dark bronze anodized rain drip	\$18.28	\$59.97
142G	Gold anodized rain drip	\$18.28	\$59.97
144AA	Clear anodized extruded hook/silicone tube	\$5.71	\$18.73

Note: Order components separately.

DOOR SWEEPS		LIST PRICE	
Part number	Description	Per Foot	Per Meter
39A	Aluminum/solid neoprene	\$11.09	\$36.38
39BK	Black anodized/solid neoprene	\$15.41	\$50.56
39D	Dark bronze anodized/solid neoprene	\$15.41	\$50.56
39G	Gold anodized/solid neoprene	\$15.41	\$50.56
39WA	Aluminum/solid neoprene	\$15.19	\$49.84
39WBK	Black anodized/solid neoprene	\$20.92	\$68.64
39WD	Dark bronze anodized/solid neoprene	\$20.92	\$68.64
39WG	Gold anodized/solid neoprene	\$20.92	\$68.64
50MAA	Aluminum/beveled neoprene	\$10.04	\$32.94
50MBK	Black anodizing/beveled neoprene	\$14.40	\$47.24
50MD	Dark bronze anodizing/beveled neoprene	\$14.40	\$47.24
50MG	Gold anodizing/beveled neoprene	\$14.40	\$47.24
93A	Aluminum loop neoprene	\$24.07	\$78.97
93BK	Black anodized loop neoprene	\$34.65	\$113.68
93D	Dark bronze anodized loop neoprene	\$34.65	\$113.68
93G	Gold anodized loop neoprene	\$34.65	\$113.68
93N	Bulb seal - neoprene, 3" wide	\$3.58	\$11.75
95A	Aluminum/neoprene	\$15.10	\$49.54
95BK	Black anodized/neoprene	\$21.78	\$71.46
95D	Dark bronze anodized/neoprene	\$21.78	\$71.46
95G	Gold anodized/neoprene	\$21.78	\$71.46
96P	Nylon brush, 1-1/8"	\$16.20	\$53.15



DOOR SWEEPS		LIST PRICE	
Part number	Description	Per Foot	Per Meter
96A	Aluminum/brush	\$25.97	\$85.20
96BK	Black anodized/brush	\$37.38	\$122.64
96D	Dark bronze anodized/brush	\$37.38	\$122.64
96G	Gold anodized/brush	\$37.38	\$122.64
98A-PSA	Aluminum/pile/PSA	\$10.42	\$34.19
98BK-PSA	Black anodized/brush/PSA	\$15.54	\$50.98
98D-PSA	Dark bronze anodized/brush/PSA	\$15.54	\$50.98
98G-PSA	Gold anodized/brush/PSA	\$15.54	\$50.98
255AA	Clear anodized/adjustable surface sweep with spring/pile insert	\$29.61	\$97.15
255BK	Black anodized/adjustable surface sweep with spring/pile insert	\$43.98	\$144.29
255D	Dark bronze anodized/adjustable surface sweep with spring/pile insert	\$43.98	\$144.29
255G	Gold anodized/adjustable surface sweep with spring/pile insert	\$43.98	\$144.29
329AA	Clear anodized with beveled neoprene	\$10.04	\$32.94
329B	Bronze with beveled neoprene	\$27.84	\$91.34
329BK	Black anodized/beveled neoprene	\$15.95	\$52.33
329D	Dark bronze anodized/beveled neoprene	\$15.95	\$52.33
329G	Gold anodized/beveled neoprene	\$15.95	\$52.33
339AA	Clear anodized/neoprene	\$11.08	\$36.35
339B	Bronze/neoprene	\$30.19	\$99.05
339BK	Black anodized/neoprene	\$17.51	\$57.45
339D	Dark bronze anodized/neoprene	\$17.51	\$57.45
339G	Gold anodized/neoprene	\$17.51	\$57.45
339FS-AA	Clear anodized/neoprene/Intumet	\$18.38	\$60.30
339FS-BK	Black anodized/neoprene/Intumet	\$24.59	\$80.68
339FS-D	Dark bronze anodized/neoprene/Intumet	\$24.59	\$80.68
339FS-G	Gold anodized/neoprene/Intumet	\$24.59	\$80.68
339WAA	Clear anodized/neoprene	\$15.19	\$49.84
339WB	Bronze/neoprene	\$31.55	\$103.51
339WBK	Black anodized/neoprene	\$20.83	\$68.34
339WD	Dark bronze anodized/neoprene	\$20.83	\$68.34
339WG	Gold anodized/neoprene	\$20.83	\$68.34
477AA END CAP	End cap for 477 gasket housing	\$7.83	Each
477AA	Clear anodized/snap-on cover/neoprene seal	\$11.94	\$39.17
477BK	Black anodized/snap-on cover/neoprene seal	\$17.51	\$57.45
477D	Dark bronze anodized/snap-on cover/neoprene seal	\$17.51	\$57.45
477G	Gold anodized/snap-on cover/neoprene seal	\$17.51	\$57.45
539AA	Clear anodized/solid neoprene	\$13.72	\$45.01
539BK	Black anodized/solid neoprene	\$21.19	\$69.52
539D	Dark bronze anodized/solid neoprene	\$21.19	\$69.52
539G	Gold anodized/solid neoprene	\$21.19	\$69.52
571AA	Clear anodized/self adjusting/neoprene lip	\$19.07	\$62.57
571BK	Black anodized/self adjusting/neoprene lip	\$27.45	\$90.06
571D	Dark bronze anodized/self adjusting/neoprene lip	\$27.45	\$90.06
571G	Gold anodized/self adjusting/neoprene lip	\$27.45	\$90.06
639WA	Aluminum/solid neoprene	\$19.60	\$64.30
639WBK	Black anodized/solid neoprene	\$27.32	\$89.63

THRESHOLDS

AUTOMATIC DOOR BOTTOMS

PERIMETER SEALS

WEATHERSTRIPPING

SOLUTIONS & SPECIALTY PRODUCTS

PARTS



DOOR SWEEPS		LIST PRICE	
Part number	Description	Per Foot	Per Meter
639WD	Dark bronze anodized/solid neoprene	\$27.32	\$89.63
639WG	Gold anodized/solid neoprene	\$27.32	\$89.63
8191AA	Clear anodized/neoprene	\$9.09	\$29.82
8191BK	Black anodized/neoprene	\$12.83	\$42.09
8191D	Dark bronze anodized/neoprene	\$12.83	\$42.09
8191G	Gold anodized/neoprene	\$12.83	\$42.09
8192AA	Clear anodized/.625" long brush	\$7.33	\$24.05
8192BK	Black anodized/.625" long brush	\$10.44	\$34.25
8192D	Dark bronze anodized/.625" long brush	\$10.44	\$34.25
8192G	Gold anodized/.625" long brush	\$10.44	\$34.25
8193AA	Clear anodized/.375" long brush	\$6.60	\$21.65
8193BK	Black anodized/.375" long brush	\$8.37	\$27.46
8193D	Dark bronze anodized/.375" long brush	\$8.37	\$27.46
8193G	Gold anodized/.375" long brush	\$8.37	\$27.46
8193P	Replacement pile brush for 8193 - 10'6" lengths only	\$4.75	\$15.58
8194AA	Clear anodized/neoprene lip/adhesive	\$6.60	\$21.65
8194BK	Black anodized/neoprene lip	\$8.37	\$27.46
8194D	Dark bronze anodized/neoprene lip	\$8.37	\$27.46
8194G	Gold anodized/neoprene lip	\$8.37	\$27.46
8194N	.53" Long lip seal - EPDM	\$3.68	\$12.07
8197AA	Clear anodized drip cap/neoprene	\$8.77	\$28.77
8197BK	Black anodized drip cap/neoprene	\$12.37	\$40.58
8197D	Dark bronze anodized drip cap/neoprene	\$12.37	\$40.58
8197G	Gold anodized drip cap/neoprene	\$12.37	\$40.58
8198AA	Clear anodized drip cap/brush seal	\$9.52	\$31.23
8198BK	Black anodized drip cap/brush	\$13.42	\$44.03
8198D	Dark bronze anodized drip cap/brush	\$13.42	\$44.03
8198G	Gold anodized rain drip/brush	\$13.42	\$44.03
8198P	.625" Nylon brush	\$6.65	\$21.82

THRESHOLDS

AUTOMATIC DOOR BOTTOMS

PERIMETER SEALS

WEATHERSTRIPPING

SOLUTIONS & SPECIALTY PRODUCTS

PARTS





DOOR SHOES		LIST PRICE	
Part number	Description	Per Foot	Per Meter
52A	Neoprene in aluminum track, 1-7/16" (36.5)	\$14.45	\$47.41
52N	1.64" Wide track seal - neoprene	\$7.57	\$24.84
53A	Neoprene in aluminum track, 3/4" (19.1)	\$11.00	\$36.09
53N	1.06" Wide track seal - neoprene	\$5.99	\$19.65
59FS-A	Aluminum/intumescent/neoprene blade PSA	\$23.76	\$77.95
72A	Neoprene in aluminum track	\$17.61	\$57.78
72N	Neoprene strip, 2-5/8" wide	\$10.53	\$34.55
110AA	Clear anodized door shoe/pile	\$15.41	\$50.56
110BK	Black anodized door shoe/pile	\$22.08	\$72.44
110D	Dark bronze anodized door shoe/pile	\$22.08	\$72.44
110G	Gold anodized door shoe/pile	\$22.08	\$72.44
111AA	Clear anodized door shoe/neoprene	\$15.41	\$50.56
111BK	Black anodized door shoe/neoprene	\$22.08	\$72.44
111D	Dark bronze anodized door shoe/neoprene	\$22.08	\$72.44
111G	Gold anodized door shoe/neoprene	\$22.08	\$72.44
111FS-AA	Clear anodized door shoe/intumescent	\$16.73	\$54.89
111FS-BK	Black anodized door shoe/intumescent	\$24.23	\$79.49
111FS-D	Dark bronze anodized door shoe/intumescent	\$24.23	\$79.49
111FS-G	Gold anodized door shoe/intumescent	\$24.23	\$79.49
153A	Aluminum/neoprene	\$13.86	\$45.47
153BK	Black anodized/neoprene	\$21.53	\$70.64
153D	Dark bronze anodized/neoprene	\$21.53	\$70.64
153G	Gold anodized/neoprene	\$21.53	\$70.64
153N	Thin neoprene - five finger extrusion	\$7.21	\$23.65
154A	Aluminum angle track/pile	\$15.86	\$52.03
154BK	Black anodized angle track/pile	\$21.92	\$71.92
154D	Dark bronze anodized angle track/pile	\$21.92	\$71.92
154G	Gold anodized angle track/pile	\$21.92	\$71.92
253A	Aluminum/neoprene insert/mortised	\$8.27	\$27.13
253FS-A	Aluminum/intumescent fire stop/mortised	\$24.42	\$80.12
254A	Aluminum track/pile insert/mortised	\$8.91	\$29.23
254P-GY	.875" Wide poly pile	\$7.43	\$24.38
254P-GY PSA	.875" Wide poly pile PSA	\$8.17	\$26.80
381A	Aluminum/double neoprene lip	\$11.41	\$37.43
452A	Aluminum track/neoprene	\$15.19	\$49.84
511A	Aluminum/rubber, 1/16" (1.6) thick	\$16.21	\$53.18
511BK	Black anodizing/rubber 1/16" (1.6) thick	\$22.91	\$75.16
511D	Dark bronze anodized/rubber 1/16" (1.6) thick	\$22.91	\$75.16
511G	Gold anodizing/rubber, 1/16" (1.6) thick	\$22.91	\$75.16
521FS-A	Aluminum/intumescent/flame retardant silicone for undercut doors	\$31.95	\$104.82
3544	Aluminum/mortised/brush	\$10.86	\$35.63
3546	Aluminum/mortised/neoprene - FLO option available	\$10.86	\$35.63
8047R	Replacement EPDM rubber seal for overhead door	\$6.58	\$21.59
8049R	EPDM rubber seal for overhead doors with aluminum mounting strip	\$8.05	\$26.41
8149AA	Clear anodized/brush/mortised	\$9.17	\$30.09
8151AA	Aluminum/neoprene	\$9.49	\$31.14

THRESHOLDS

AUTOMATIC DOOR BOTTOMS

PERIMETER SEALS

WEATHERSTRIPPING

SOLUTIONS & SPECIALTY PRODUCTS

PARTS



ADJUSTABLE SEALING SYSTEMS - JAMB-APPLIED		LIST PRICE	
Part number	Description	Per Foot	Per Meter
▼ 170AA	Clear anodized/adjustable sound seal	\$32.16	\$105.51
▼ 170BK	Black anodized/adjustable sound seal	\$43.73	\$143.47
▼ 170D	Dark bronze anodized/adjustable sound seal	\$43.73	\$143.47
▼ 170G	Gold anodized/adjustable sound seal	\$43.73	\$143.47
712AA	Clear anodized/adjustable/spring loaded/silicone insert	\$30.18	\$99.02
712BK	Black anodized/adjustable/spring loaded/silicone insert	\$45.48	\$149.21
712D	Dark bronze anodized/adjustable/spring loaded/silicone insert	\$45.48	\$149.21
712G	Gold anodized/adjustable/spring loaded/silicone insert	\$45.48	\$149.21
▼ 770AA	Clear anodized/adjustable sound seal	\$39.80	\$130.58
▼ 770BK	Black anodized/adjustable sound seal/neoprene	\$50.96	\$167.19
▼ 770D	Dark bronze anodized/adjustable sound seal/neoprene	\$50.96	\$167.19
▼ 770G	Gold anodized/adjustable sound seal/neoprene	\$50.96	\$167.19
▼ 770SP	Steel primed adjustable sound seal for cased opening/Fire rated	\$56.01	\$183.76
▼ 770STST	Stainless steel adjustable sound seal	\$105.55	\$346.29
▼ 770FS-AA	Clear anodized/intumescent fire stop neoprene	\$59.25	\$194.39
▼ 770FS-BK	Black anodized/intumescent fire stop/neoprene	\$71.16	\$233.46
▼ 770FS-D	Dark bronze anodized/intumescent fire stop/neoprene	\$71.16	\$233.46
▼ 770FS-G	Gold anodized/intumescent fire stop/neoprene	\$71.16	\$233.46
870AA	Clear anodized/silicone/adjustable	\$24.73	\$81.14
870BK	Black anodized/silicone/adjustable	\$38.01	\$124.70
870D	Dark bronze anodized/silicone/adjustable	\$38.01	\$124.70
870G	Gold anodized/silicone/adjustable	\$38.01	\$124.70
870S-BK	Silicone bulb seal, .361" wide	\$8.29	\$27.20
871AA	Clear anodized/pile brush/adjustable	\$24.73	\$81.14
871BK	Black anodized/pile brush/adjustable	\$38.01	\$124.70
871D	Dark bronze anodized/pile brush/adjustable	\$38.01	\$124.70
871G	Gold anodized/pile brush/adjustable	\$38.01	\$124.70
873AA	Clear anodized/neoprene lip/adjustable	\$24.73	\$81.14
873BK	Black anodized/neoprene lip/adjustable	\$38.01	\$124.70
873D	Dark bronze anodized/neoprene lip/adjustable	\$38.01	\$124.70
873G	Gold anodized/neoprene lip/adjustable	\$38.01	\$124.70
▼ 7770AA	Clear anodized, adjustable sound seal	\$40.75	\$133.69
▼ 7770BK	Black anodized, adjustable sound seal	\$53.48	\$175.46
▼ 7770D	Dark bronze anodized, adjustable sound seal	\$53.48	\$175.46
▼ 7770G	Gold anodized, adjustable sound seal	\$53.48	\$175.46
7770N	Elongated bulb seal - neoprene, .32" wide	\$4.25	\$13.94

▼ Comes standard with mitered corners when ordered a set. If non-mitered corners is wanted, please specify and order as an individual stick length.

THRESHOLDS

AUTOMATIC DOOR BOTTOMS

PERIMETER SEALS

WEATHERSTRIPPING

SOLUTIONS & SPECIALTY PRODUCTS

PARTS



HEAD AND JAMB GASKETING		LIST PRICE	
Part number	Description	Per Foot	Per Meter
31AA	Clear anodized bumper strip/silicone	\$11.01	\$36.12
31BK	Black anodized bumper strip/silicone	\$16.06	\$52.69
31D	Dark bronze anodized bumper strip/silicone	\$16.06	\$52.69
31G	Gold anodized bumper strip/silicone	\$16.06	\$52.69
32AA	Clear anodized bumper strip/brush	\$11.01	\$36.12
32BK	Black anodized bumper strip/brush	\$16.06	\$52.69
32D	Dark bronze anodized bumper strip/brush	\$16.06	\$52.69
32G	Gold anodized bumper strip/brush	\$16.06	\$52.69
32P-BK	Self adhesive pile brush/black	\$2.85	\$9.35
32P-GY	Self adhesive pile brush/gray	\$2.85	\$9.35
33AA	Clear anodized/silicone lip	\$11.01	\$36.12
33BK	Black anodized/silicone lip	\$16.06	\$52.69
33D	Dark bronze anodized/silicone lip	\$16.06	\$52.69
33G	Gold anodized/silicone lip	\$16.06	\$52.69
50AA	Aluminum/neoprene	\$8.91	\$29.23
50BK	Black anodizing/neoprene	\$12.75	\$41.83
50D	Dark bronze anodizing/neoprene	\$12.75	\$41.83
50G	Gold anodizing/neoprene	\$12.75	\$41.83
58FS-AA	Clear anodized intumescent fire stop	\$14.69	\$48.20
58FS-BK	Black intumescent fire stop	\$19.26	\$63.19
58FS-D	Dark bronze intumescent fire stop	\$19.26	\$63.19
58FS-G	Gold anodized intumescent fire stop	\$19.26	\$63.19
98A	Aluminum/pile	\$9.81	\$32.19
98BK	Black anodized/brush	\$14.91	\$48.92
98D	Dark bronze anodized/brush	\$14.91	\$48.92
98G	Gold anodized/brush	\$14.91	\$48.92
99A	Aluminum/silicone	\$9.81	\$32.19
99BK	Black anodized/silicone	\$15.01	\$49.25
99D	Dark bronze anodized/silicone	\$15.01	\$49.25
99G	Gold anodized/silicone	\$15.01	\$49.25
100A	Aluminum/silicone lip	\$9.81	\$32.19
100BK	Black anodized/silicone lip	\$14.91	\$48.92
100D	Dark bronze anodized/silicone lip	\$14.91	\$48.92
100G	Gold anodized/silicone lip	\$14.91	\$48.92
139A	Aluminum/neoprene	\$10.68	\$35.04
139BK	Black anodized/neoprene	\$14.78	\$48.49
139D	Dark bronze anodized/neoprene	\$14.78	\$48.49
139G	Gold anodized/neoprene	\$14.78	\$48.49
140A	Aluminum/neoprene	\$13.53	\$44.39
140BK	Black anodized/neoprene	\$19.37	\$63.55
140D	Dark bronze anodized/neoprene	\$19.37	\$63.55
140G	Gold anodized/neoprene	\$19.37	\$63.55
270A	Aluminum door stop/neoprene	\$13.92	\$45.67
270BK	Black anodized door stop/neoprene	\$19.77	\$64.86
270D	Dark bronze anodized door stop/neoprene	\$19.77	\$64.86
270G	Gold anodized door stop/neoprene	\$19.77	\$64.86

THRESHOLDS

AUTOMATIC DOOR BOTTOMS

PERIMETER SEALS

WEATHERSTRIPPING

SOLUTIONS & SPECIALTY PRODUCTS

PARTS



HEAD AND JAMB GASKETING		LIST PRICE	
Part number	Description	Per Foot	Per Meter
272A	Aluminum door stop/neoprene	\$13.92	\$45.67
272BK	Black anodized door stop/neoprene	\$19.77	\$64.86
272D	Dark bronze anodized door stop/neoprene	\$19.77	\$64.86
272G	Gold anodized door stop/neoprene	\$19.77	\$64.86
302FS-AA	Clear anodized/neoprene/Intumet fire stop	\$12.90	\$42.32
302FS-B	Bronze/neoprene intumescent fire stop	\$34.84	\$114.30
302FS-BK	Black anodized/neoprene/Intumet fire stop	\$17.50	\$57.41
302FS-D	Dark bronze anodized/neoprene/Intumet fire stop	\$17.50	\$57.41
302FS-G	Gold anodized/neoprene intumescent fire stop	\$17.50	\$57.41
312A	Aluminum/neoprene	\$7.53	\$24.70
312BK	Black anodized/neoprene	\$10.89	\$35.73
312D	Dark bronze anodized/neoprene	\$10.89	\$35.73
312G	Gold anodized/neoprene	\$10.89	\$35.73
314AA	Clear anodized/neoprene	\$11.94	\$39.17
314B	Bronze/neoprene	\$30.19	\$99.05
314BK	Black anodized/neoprene	\$14.08	\$46.19
314D	Dark bronze anodized/neoprene	\$14.08	\$46.19
314G	Gold anodized/neoprene	\$14.08	\$46.19
314N	Closed cell sponge neoprene - rectangular extrusion, 3/4" x 1/8"	\$3.31	\$10.86
314N-PSA	Closed cell sponge neoprene - rectangular extrusion with PSA, 3/4" x 1/8"	\$3.31	\$10.86
318AA	Clear anodized/neoprene	\$14.06	\$46.13
318BK	Black anodized/neoprene	\$16.06	\$52.69
318D	Dark bronze anodized/neoprene	\$16.06	\$52.69
318G	Gold anodized/neoprene	\$16.06	\$52.69
322A	Aluminum with neoprene	\$14.06	\$46.13
322BK	Black anodizing with neoprene	\$20.25	\$66.44
322D	Dark bronze anodizing with neoprene	\$20.25	\$66.44
322G	Gold anodizing with neoprene	\$20.25	\$66.44
326AA	Clear anodized/neoprene	\$12.85	\$42.16
326B	Bronze/neoprene	\$32.89	\$107.91
326BK	Black anodized/neoprene	\$17.83	\$58.50
326D	Dark bronze anodized/neoprene	\$17.83	\$58.50
326G	Gold anodized/neoprene	\$17.83	\$58.50
326N	Dual bulb and lip seal - neoprene, 1.006" wide	\$7.14	\$23.43
328AA	Clear anodized/neoprene	\$12.45	\$40.85
328B	Bronze/neoprene	\$30.19	\$99.05
328BK	Black anodized/neoprene	\$17.28	\$56.69
328D	Dark bronze anodized/neoprene	\$17.28	\$56.69
328G	Gold anodized/neoprene	\$17.28	\$56.69
328FS-AA	Clear anodized/neoprene intumescent fire stop	\$18.38	\$60.30
328FS-BK	Black anodized/neoprene intumescent fire stop	\$25.03	\$82.12
328FS-D	Dark bronze anodized/neoprene intumescent fire stop	\$25.03	\$82.12
328FS-G	Gold anodized/neoprene intumescent fire stop	\$24.80	\$81.36
328N	Neoprene insert, 7/8" wide	\$6.23	\$20.44
370A	Aluminum/magnetic seal	\$23.92	\$78.48
370D	Dark bronze anodized/magnetic seal	\$36.74	\$120.54

THRESHOLDS

AUTOMATIC DOOR BOTTOMS

PERIMETER SEALS

WEATHERSTRIPPING

SOLUTIONS & SPECIALTY PRODUCTS

PARTS



HEAD AND JAMB GASKETING		LIST PRICE	
Part number	Description	Per Foot	Per Meter
375AA	Clear anodized/magnetic/snap-on cover	\$25.34	\$83.14
375D	Dark bronze anodized/magnetic/snap-on cover	\$35.15	\$115.32
376AA	Clear anodized/neoprene/snap-on cover	\$17.17	\$56.33
376BK	Black anodized/neoprene/snap-on cover	\$23.60	\$77.43
376D	Dark bronze anodized/neoprene/snap-on cover	\$23.60	\$77.43
376G	Gold anodized/neoprene/snap-on cover	\$23.60	\$77.43
429AA	Clear anodized with silicone gasket for use with coordinator or closer bracket	\$14.95	\$49.05
429BK	Black anodized with silicone gasket for use with coordinator or closer bracket	\$21.78	\$71.46
429D	Dark bronze anodized with silicone gasket for use with coordinator or closer bracket	\$21.78	\$71.46
429G	Gold anodized with silicone gasket for use with coordinator or closer bracket	\$21.78	\$71.46
470AA	Clear anodized security seal/neoprene	\$23.56	\$77.30
470BK	Black anodized security seal/neoprene	\$31.79	\$104.30
470D	Dark bronze anodized security seal/neoprene	\$31.79	\$104.30
470G	Gold anodized security seal/neoprene	\$31.79	\$104.30
472AA	Clear anodized security seal/neoprene	\$29.16	\$95.67
472BK	Black anodized security seal/neoprene	\$40.92	\$134.25
472D	Dark bronze anodized security seal/neoprene	\$40.92	\$134.25
472G	Gold anodized security seal/neoprene	\$40.92	\$134.25
475AA	Clear anodized/snap-on cover/neoprene seal	\$12.36	\$40.55
475BK	Black anodized/snap-on cover/neoprene seal	\$18.62	\$61.09
475D	Dark bronze anodized/snap-on cover/neoprene seal	\$18.62	\$61.09
475G	Gold anodized/snap-on cover/neoprene seal	\$18.62	\$61.09
478AA	Clear anodized/snap-on cover/double neoprene	\$17.39	\$57.05
478BK	Black anodized/snap-on cover/double neoprene	\$23.93	\$78.51
478D	Dark bronze anodized/snap-on cover/double neoprene	\$23.93	\$78.51
478G	Gold anodized/snap-on cover/double neoprene	\$23.93	\$78.51
485AA	Aluminum/neoprene	\$8.37	\$27.46
485BK	Black anodized/neoprene	\$13.18	\$43.24
485D	Dark bronze anodized/neoprene	\$13.18	\$43.24
485G	Gold anodized/neoprene	\$13.18	\$43.24
570AA	Clear anodized/self-adjusting/silicone	\$19.07	\$62.57
570BK	Black anodized/self-adjusting/silicone	\$26.60	\$87.27
570D	Dark bronze anodized/self-adjusting/silicone	\$26.60	\$87.27
570G	Gold anodized/self-adjusting/silicone	\$26.60	\$87.27
570S-BK	Semi-circular bulb kerf seal - silicone - black, .328"	\$3.66	\$12.01
1370A	Aluminum with neoprene	\$14.53	\$47.67
1370BK	Black anodized/neoprene	\$19.98	\$65.55
1370D	Dark bronze anodized/neoprene	\$19.98	\$65.55
1370G	Gold anodized/neoprene	\$19.98	\$65.55
1370N	.5" Wide-five finger sponge neoprene - extrusion	\$3.58	\$11.75
3709AA	Clear anodized/neoprene/sound trap	\$40.85	\$134.02
3709BK	Black anodized/neoprene/sound trap	\$54.49	\$178.77
3709D	Dark bronze anodized/neoprene/sound trap	\$54.49	\$178.77
3709G	Gold anodized/neoprene/sound trap	\$54.49	\$178.77
5831AA	Clear anodized/silicone/PSA	\$8.18	\$26.84
5831BK	Black anodized/silicone/PSA	\$10.52	\$34.51



HEAD AND JAMB GASKETING		LIST PRICE	
Part number	Description	Per Foot	Per Meter
5831D	Dark bronze anodized/silicone/PSA	\$10.52	\$34.51
5831G	Gold anodized/silicone/PSA	\$10.52	\$34.51
5831FS-AA	Clear anodized/silicone/intumescent/PSA	\$11.88	\$38.98
5831FS-BK	Black anodized/silicone Intumet/PSA	\$14.58	\$47.83
5831FS-D	Dark bronze anodized/silicone Intumet/PSA	\$14.58	\$47.83
5831FS-G	Gold anodized/silicone/intumescent/PSA	\$14.58	\$47.83
5831S-BK	Lip and bulb seal - silicone - black, .36" wide	\$8.04	\$26.38
5832AA	Clear anodized/brush/PSA	\$8.42	\$27.62
5832BK	Black anodized/poly brush/PSA	\$10.52	\$34.51
5832D	Dark bronze anodized/poly brush/PSA	\$10.52	\$34.51
5832G	Gold anodized/poly brush/PSA	\$10.52	\$34.51
5832FS-AA	Clear anodized/poly brush/intumescent/PSA	\$12.17	\$39.93
5832FS-BK	Black anodized/poly brush/intumescent/PSA	\$14.58	\$47.83
5832FS-D	Dark bronze anodized/poly brush/intumescent/PSA	\$14.58	\$47.83
5832FS-G	Gold anodized/poly brush/intumescent	\$14.58	\$47.83
5833AA	Clear anodized/silicone/PSA	\$8.18	\$26.84
5833BK	Black anodized/silicone/PSA	\$10.52	\$34.51
5833D	Dark bronze anodized/silicone/PSA	\$10.52	\$34.51
5833G	Gold anodized/silicone/PSA	\$10.52	\$34.51
8193AA-PSA	Clear anodized/.375" brush/adhesive	\$8.67	\$28.44
8193BK-PSA	Black anodized/.375" brush/adhesive	\$10.61	\$34.81
8193D-PSA	Dark bronze anodized/.375" brush/adhesive	\$10.61	\$34.81
8193G-PSA	Gold anodized/.375" brush/adhesive	\$10.61	\$34.81
8302AA	Clear anodized and neoprene seal	\$4.49	\$14.73
8302BK	Black anodized and neoprene seal	\$7.43	\$24.38
8302D	Dark bronze anodized and neoprene seal	\$7.43	\$24.38
8302G	Gold anodized and neoprene seal	\$7.43	\$24.38
8302N	45° Leg seal - neoprene	\$3.14	\$10.30
8303AA	Clear anodized and neoprene seal	\$4.91	\$16.11
8303BK	Black anodized and neoprene seal	\$8.12	\$26.64
8303D	Dark bronze anodized and neoprene seal	\$8.12	\$26.64
8303G	Gold anodized and neoprene seal	\$8.12	\$26.64
8303S-BK	1/4" Bulb seal - silicone	\$2.25	\$7.38
8305AA	Clear anodized with brush	\$5.88	\$19.29
8305BK	Black anodized with brush	\$9.70	\$31.82
8305D	Dark bronze anodized with brush	\$9.70	\$31.82
8305G	Gold anodized with brush	\$9.70	\$31.82
8877AA	Clear anodized/neoprene seal	\$8.51	\$27.92
8877BK	Black anodized/neoprene seal	\$12.20	\$40.03
8877D	Dark bronze anodized/neoprene seal	\$12.20	\$40.03
8877G	Gold anodized/neoprene seal	\$12.20	\$40.03
8878AA	Clear anodized/silicone seal	\$8.18	\$26.84
8878BK	Black anodized/silicone seal	\$11.68	\$38.32
8878D	Dark bronze anodized/silicone seal	\$11.68	\$38.32
8878G	Gold anodized/silicone seal	\$11.68	\$38.32
8878BIO-BR	Snap-on cover/silicone-bio, brown, .36" wide	\$3.58	\$11.75

THRESHOLDS

AUTOMATIC DOOR BOTTOMS

PERIMETER SEALS

WEATHERSTRIPPING

SOLUTIONS & SPECIALTY PRODUCTS

PARTS



HEAD AND JAMB GASKETING		LIST PRICE	
Part number	Description	Per Foot	Per Meter
8879AA	Clear anodized/brush seal	\$9.22	\$30.25
8879BK	Black anodized/brush seal	\$13.20	\$43.31
8879D	Dark bronze anodized/brush seal	\$13.20	\$43.31
8879G	Gold anodized/brush seal	\$13.20	\$43.31
<b>Head and jamb FS3003 intumescent seals</b>			
Part number	Description	Per Foot	Per Meter
3062375PSA	FS3003 Intumet, 1/16" x 3/8" (1.6 x 9.5)	\$2.70	\$8.86
3062500PSA	FS3003 Intumet, 1/16" x 1/2" (1.6 x 12.7)	\$2.88	\$9.45
3062750PSA	FS3003 Intumet, 1/16" x 3/4" (1.6 x 19.1)	\$3.60	\$11.81
30621000PSA	FS3003 Intumet, 1/16" x 1" (1.6 x 25.4)	\$4.80	\$15.75
30621750PSA	FS3003 Intumet, 1/16" x 1-3/4" (1.6 x 44.5)	\$6.51	\$21.36
30622000PSA	FS3003 Intumet, 1/16" x 2" (1.6 x 50.8)	\$7.44	\$24.41
3125375PSA	FS3003 Intumet, 1/8" x 3/8" (3.2 x 9.5)	\$3.60	\$11.81
3125500PSA	FS3003 Intumet, 1/8" x 1/2" (3.2 x 12.7)	\$4.80	\$15.75
3125625PSA	FS3003 Intumet, 1/8" x 5/8" (3.2 x 15.9)	\$5.93	\$19.44
3125750PSA	FS3003 Intumet, 1/8" x 3/4" (3.2 x 19.1)	\$6.21	\$20.37
31251000PSA	FS3003 Intumet, 1/8" x 1" (3.2 x 25.4)	\$7.68	\$25.20
31252000PSA	FS3003 Intumet, 1/8" x 2" (3.2 x 50.8)	\$11.76	\$38.58
3250375PSA	FS3003 Intumet, 1/4" x 3/8" (6.4 x 9.5)	\$6.75	\$22.15
3250500PSA	FS3003 Intumet, 1/4" x 1/2" (6.4 x 12.7)	\$7.74	\$25.39
3250750PSA	FS3003 Intumet, 1/4" x 3/4" (6.4 x 19.1)	\$10.26	\$33.66
32501000PSA	FS3003 Intumet, 1/4" x 1" (6.4 x 25.4)	\$12.72	\$41.73
32502000PSA	FS3003 Intumet, 1/4" x 2" (6.4 x 50.8)	\$19.20	\$62.99
<b>Head and jamb FS4004 intumescent seals</b>			
Part number	Description	Per Foot	Per Meter
4062375PSA	FS4004 Intumet, 1/16" x 3/8" (1.6 x 9.5)	\$2.70	\$8.86
4062500PSA	FS4004 Intumet, 1/16" x 1/2" (1.6 x 12.7)	\$2.88	\$9.45
4062750PSA	FS4004 Intumet, 1/16" x 3/4" (1.6 x 19.1)	\$3.60	\$11.81
40621000PSA	FS4004 Intumet, 1/16" x 1" (1.6 x 25.4)	\$4.80	\$15.75
40622000PSA	FS4004 Intumet, 1/16" x 2" (1.6 x 50.8)	\$7.44	\$24.41
4125375PSA	FS4004 Intumet, 1/8" x 3/8" (3.2 x 9.5)	\$3.60	\$11.81
4125500PSA	FS4004 Intumet, 1/8" x 1/2" (3.2 x 12.7)	\$4.80	\$15.75
4125750PSA	FS4004 Intumet, 1/8" x 3/4" (3.2 x 19.1)	\$6.21	\$20.37
41251000PSA	FS4004 Intumet, 1/8" x 1" (3.2 x 25.4)	\$7.68	\$25.20
41252000PSA	FS4004 Intumet, 1/8" x 2" (3.2 x 50.8)	\$11.76	\$38.58
4250375PSA	FS4004 Intumet, 1/4" x 3/8" (6.4 x 9.5)	\$6.39	\$20.96
4250500PSA	FS4004 Intumet, 1/4" x 1/2" (6.4 x 12.7)	\$7.74	\$25.39
4250750PSA	FS4004 Intumet, 1/4" x 3/4" (6.4 x 19.1)	\$10.26	\$33.66
42501000PSA	FS4004 Intumet, 1/4" x 1" (6.4 x 25.4)	\$12.72	\$41.73
42502000PSA	FS4004 Intumet, 1/4" x 2" (6.4 x 50.8)	\$19.20	\$62.99

THRESHOLDS

AUTOMATIC DOOR BOTTOMS

PERIMETER SEALS

WEATHERSTRIPPING

SOLUTIONS & SPECIALTY PRODUCTS

PARTS



MEETING STILES		LIST PRICE	
<b>Adjustable surface-mounted meeting stiles for beveled doors</b>			
Part number	Description	Per Foot	Per Meter
55AA	Clear anodized/solid insert/adjustable astragal	\$30.18	\$99.02
55BK	Black anodized/solid insert intumescent, adjustable surface astragal	\$45.48	\$149.21
55D	Dark bronze anodized/solid insert intumescent, adjustable surface astragal	\$45.48	\$149.21
55G	Gold anodized/solid insert intumescent, adjustable surface astragal	\$45.48	\$149.21
55FS-AA	Clear anodized/solid insert intumescent, adjustable surface astragal	\$40.05	\$131.40
55FS-BK	Black anodized/solid insert intumescent, adjustable surface astragal	\$51.63	\$169.39
55FS-D	Dark bronze anodized/solid insert intumescent, adjustable surface astragal	\$51.63	\$169.39
55FS-G	Gold anodized/solid insert intumescent, adjustable surface astragal	\$51.63	\$169.39
155AA	Clear anodized/pile brush surface mounted, adjustable astragal	\$31.67	\$103.90
155BK	Black anodized/pile brush surface mounted, adjustable astragal	\$47.76	\$156.69
155D	Dark bronze anodized/pile brush surface mounted, adjustable astragal	\$47.76	\$156.69
155G	Gold anodized/pile brush surface mounted, adjustable astragal	\$47.76	\$156.69
555AA	Clear anodized/silicone insert adjustable surface astragal	\$31.58	\$103.61
555BK	Black anodized/silicone insert adjustable surface astragal	\$47.56	\$156.04
555D	Dark bronze anodized/silicone insert adjustable surface astragal	\$47.56	\$156.04
555G	Gold anodized/silicone insert adjustable surface astragal	\$47.56	\$156.04
555FS-AA	Clear anodized/silicone/intumescent adjustable surface astragal	\$41.93	\$137.57
555FS-BK	Black anodized/silicone insert/intumescent/adjustable surface astragal	\$52.56	\$172.44
555FS-D	Dark bronze anodized/silicone insert/intumescent/adjustable surface astragal	\$52.56	\$172.44
555FS-G	Gold anodized/silicone insert/intumescent/adjustable surface astragal	\$52.56	\$172.44
<b>Adjustable mortised meeting stiles for bull-nosed doors</b>			
Part number	Description	Per Foot	Per Meter
56AA	Clear anodized adjustable mortised astragal	\$30.18	\$99.02
56BK	Black anodized/solid insert intumescent, adjustable mortised astragal	\$45.48	\$149.21
56D	Dark bronze anodized/solid insert intumescent, adjustable mortised astragal	\$45.48	\$149.21
56G	Gold anodized adjustable mortised astragal	\$45.48	\$149.21
56FS-AA	Clear anodized intumescent fire stop	\$38.23	\$125.43
56FS-BK	Black anodized intumescent fire stop	\$53.66	\$176.05
56FS-D	Dark bronze anodized intumescent fire stop	\$53.66	\$176.05
56FS-G	Gold anodized intumescent fire stop	\$53.66	\$176.05
156AA	Clear anodized/pile brush, mortised, adjustable	\$30.18	\$99.02
156BK	Black anodized/pile brush mortised, adjustable astragal	\$45.48	\$149.21
156D	Dark bronze anodized/pile brush mortised, adjustable astragal	\$45.48	\$149.21
156G	Gold anodized/pile brush mortised, adjustable astragal	\$45.48	\$149.21
557AA	Clear anodized/silicone insert/adjustable mortised astragal	\$30.18	\$99.02
557BK	Black anodized/silicone insert/adjustable mortised astragal	\$44.79	\$146.95
557D	Dark bronze anodized/silicone insert/adjustable mortised astragal	\$44.79	\$146.95
557G	Gold anodized/silicone insert/adjustable mortised astragal	\$44.79	\$146.95
557FS-AA	Clear anodized/intumescent/silicone adjustable mortised astragal	\$38.23	\$125.43
557FS-BK	Black anodized/intumescent/silicone adjustable mortised astragal	\$53.66	\$176.05
557FS-D	Dark bronze anodized/intumescent/silicone/adjustable mortised astragal	\$53.66	\$176.05
557FS-G	Gold anodized/intumescent/silicone/adjustable mortised astragal	\$53.66	\$176.05
3056FS-AA	Clear anodized/mortised adjustable astragal/neoprene/intumescent fire stop	\$55.32	\$181.50

Note: Follow NPFA 80 requirements for fire door clearances.  
See Ives catalog for door coordinators.

THRESHOLDS

AUTOMATIC DOOR BOTTOMS

PERIMETER SEALS

WEATHERSTRIPPING

SOLUTIONS & SPECIALTY PRODUCTS

PARTS





MEETING STILES		LIST PRICE	
<b>Adjustable mortised meeting stiles for bull-nosed doors (continued)</b>			
Part number	Description	Per Foot	Per Meter
3056FS-BK	Black anodized/mortised adjustable/neoprene/intumescent fire stop	\$68.32	\$224.15
3056FS-D	Dark bronze anodized/mortised adjustable/neoprene/intumescent fire stop	\$68.32	\$224.15
3056FS-G	Gold anodized/mortised adjustable astragal/neoprene/intumescent fire stop	\$68.32	\$224.15
3557FS-AA	Clear anodized/mortised adjustable astragal/silicone/intumescent fire stop	\$55.32	\$181.50
3557FS-BK	Black anodized/mortised adjustable astragal/silicone/intumescent fire stop	\$68.32	\$224.15
3557FS-D	Dark bronze anodized/mortised adjustable astragal/silicone/intumescent fire stop	\$68.32	\$224.15
3557FS-G	Gold anodized/mortised adjustable astragal/silicone/intumescent fire stop	\$68.32	\$224.15
<b>Surface-mounted meeting stiles for beveled doors, both doors active (For stile applications order two of each model, or mix and match models if desired.)</b>			
Part number	Description	Per Foot	Per Meter
8192AA-PSA	Clear anodized/brush/adhesive	\$9.50	\$31.17
8192BK-PSA	Black anodized/brush/adhesive	\$11.36	\$37.27
8192D-PSA	Dark bronze anodized/brush/adhesive	\$11.36	\$37.27
8192G-PSA	Gold anodized/brush/adhesive	\$11.36	\$37.27
8194AA-PSA	Clear anodized/neoprene lip/adhesive	\$8.67	\$28.44
8194BK-PSA	Black anodized/neoprene lip/adhesive	\$10.61	\$34.81
8194D-PSA	Dark bronze anodized/neoprene lip/adhesive	\$10.61	\$34.81
8194G-PSA	Gold anodized/neoprene lip/adhesive	\$10.61	\$34.81
8195AA	Clear anodized/neoprene lip	\$8.18	\$26.84
8195BK	Black anodized/neoprene lip	\$11.54	\$37.86
8195D	Dark bronze anodized/neoprene lip	\$11.54	\$37.86
8195G	Gold anodized/neoprene lip	\$11.54	\$37.86
8195AA-PSA	Clear anodized/neoprene lip/adhesive	\$10.72	\$35.17
8195BK-PSA	Black anodized/neoprene lip/adhesive	\$15.31	\$50.23
8195D-PSA	Dark bronze anodized/neoprene lip/adhesive	\$15.31	\$50.23
8195G-PSA	Gold anodized/neoprene lip/adhesive	\$15.31	\$50.23
8879AA-PSA	Clear anodized/brush seal/adhesive	\$10.36	\$33.99
8879BK-PSA	Black anodized/brush seal/adhesive	\$14.78	\$48.49
8879D-PSA	Dark bronze anodized/brush seal/adhesive	\$14.78	\$48.49
8879G-PSA	Gold anodized/brush seal/adhesive	\$14.78	\$48.49
<b>Mortised meeting stiles for bull-nosed doors, both doors active</b>			
Part number	Description	Per Foot	Per Meter
34AA	Clear anodized/brush/adjustable	\$15.19	\$49.84
34BK	Black anodized/brush/adjustable	\$21.93	\$71.95
34D	Dark bronze anodized/brush/adjustable	\$21.93	\$71.95
34G	Gold anodized/brush/adjustable	\$21.93	\$71.95
35AA	Clear anodized/silicone lip/adjustable	\$15.19	\$49.84
35BK	Dark bronze anodized/silicone lip/adjustable	\$21.93	\$71.95
35D	Dark bronze anodized/silicone lip/adjustable	\$21.93	\$71.95
35G	Gold anodized/silicone lip/adjustable	\$21.93	\$71.95
36AA	Clear anodized/silicone lip/adjustable	\$14.99	\$49.18
36BK	Black anodized/silicone lip/adjustable	\$21.93	\$71.95
36D	Dark bronze anodized/silicone lip/adjustable	\$21.93	\$71.95
36G	Gold anodized/silicone lip/adjustable	\$21.93	\$71.95

Note: Follow NFPA 80 requirements for fire door clearances.  
See Ives catalog for door coordinators.

THRESHOLDS

AUTOMATIC DOOR BOTTOMS

PERIMETER SEALS

WEATHERSTRIPPING

SOLUTIONS & SPECIALTY PRODUCTS

PARTS



MEETING STILES		LIST PRICE	
<b>Mortised meeting stiles for bull-nosed doors, both doors active (continued)</b>			
Part number	Description	Per Foot	Per Meter
38AA	Clear anodized/solid insert	\$14.99	\$49.18
38BK	Black anodized/solid insert	\$21.93	\$71.95
38D	Dark bronze anodized/solid insert	\$21.93	\$71.95
38G	Gold anodized/solid insert	\$21.93	\$71.95
159FS-A	Aluminum track intumescent fire stop	\$20.72	\$67.98
398V	Solid PVC brown/pile with fin seal/PSA	\$9.60	\$31.50
399V	Solid PVC brown/silicone lips/PSA	\$9.60	\$31.50
8217S-BK	Silicone lips/black/PSA	\$2.48	\$8.14
<b>Astragals - One door active or coordinating doors</b>			
Part number	Description	Per Foot	Per Meter
40AA	Clear anodized astragal/magnet vinyl (127" max)	\$24.64	\$80.84
40BK	Black anodized astragal/magnet vinyl (127" max)	\$37.80	\$124.02
40D	Dark bronze anodized astragal/magnet vinyl (127" max)	\$37.80	\$124.02
40G	Gold anodized astragal/magnet vinyl (127" max)	\$37.80	\$124.02
41AA	Clear anodized security astragal	\$21.75	\$71.36
41BK	Dark bronze anodized security astragal	\$24.14	\$79.20
41D	Dark bronze anodized security astragal	\$24.14	\$79.20
41G	Gold anodized security astragal	\$24.14	\$79.20
43SP	Steel prime astragal, 2-1/4" (57.2)	\$22.61	\$74.18
43STST	Stainless steel astragal, 2-1/4" (57.2)	\$47.29	\$155.15
44STST	Stainless steel astragal, 1-1/2" (38.1)	\$25.87	\$84.88
47A	Aluminum astragal, 1-3/4" x 1/8" (44.5 x 3.2)	\$12.62	\$41.40
47BK	Black anodized astragal, 1-3/4" x 1/8" (44.5 x 3.2)	\$17.97	\$58.96
47D	Dark bronze anodized astragal, 1-3/4" x 1/8" (44.5 x 3.2)	\$17.97	\$58.96
47G	Gold anodized astragal, 1-3/4" x 1/8" (44.5 x 3.2)	\$17.97	\$58.96
383AA	Clear anodized/double neoprene	\$15.51	\$50.89
383BK	Black anodized/double neoprene	\$18.16	\$59.58
383D	Dark bronze anodized/double neoprene	\$18.16	\$59.58
383G	Gold anodized/double neoprene	\$18.16	\$59.58
383FS-AA	Clear anodized/neoprene/intumescent	\$22.93	\$75.23
383FS-BK	Black anodized/neoprene/intumescent	\$31.94	\$104.79
383FS-D	Dark bronze anodized/neoprene/intumescent	\$31.94	\$104.79
383FS-G	Gold anodized/neoprene/intumescent	\$31.94	\$104.79
383N	Tapered lip seal - neoprene, .687" tall	\$3.57	\$11.71
905A	Aluminum astragal	\$11.41	\$37.43
905BK	Black anodized astragal	\$16.44	\$53.94
905D	Dark bronze anodized astragal	\$16.44	\$53.94
905G	Gold anodized astragal	\$16.44	\$53.94
1840AA	Clear anodized interior astragal - neoprene	\$16.05	\$52.66
1840BK	Black interior astragal - neoprene	\$22.34	\$73.29
1840D	Dark bronze interior astragal - neoprene	\$22.34	\$73.29
1840G	Gold interior astragal - neoprene	\$22.34	\$73.29

Note: Follow NPFA 80 requirements for fire door clearances.  
See Ives catalog for door coordinators.

THRESHOLDS

AUTOMATIC DOOR BOTTOMS

PERIMETER SEALS




WEATHERSTRIPPING

SOLUTIONS & SPECIALTY PRODUCTS

PARTS

**Specialized solutions**

- These mounting brackets can be used to protect gasketing when installed with an LCN® door closer or with products supplied by other manufacturers.

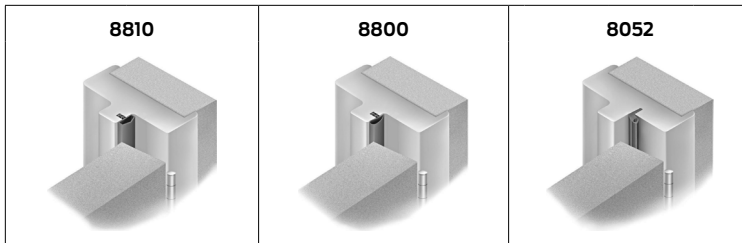
<b>328SPB</b>	<b>870SPB</b>	<b>770SPB</b>
		
DOOR CLOSER MOUNTING BRACKETS		
Part number	Description	List price each
328SPB	Steel-prime painted, Door closer mounting bracket 6" (152.4) long	\$43.11
770SPB	Steel-prime painted, Door closer mounting bracket 6" (152.4) long	\$53.67
870SPB	Steel-prime painted, Door closer mounting bracket 6" (152.4) long	\$51.23

**Compatible gasketing for door closer brackets**

See the table below to determine which bracket model to use with a chosen gasketing model.

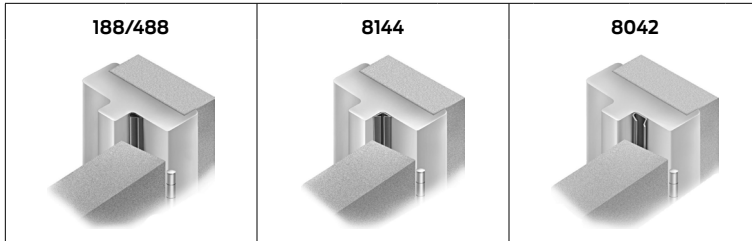
328SPB		770SPB		870SPB	
Height	Width	Height	Width	Height	Width
.500"	1.375"	1.156"	1.313"	.750"	1.438"
31, 32, 33, 50, 58FS, 98, 99, 100, 139, 312, 314, 326, 328, 475, 485, 5831, 5831FS, 5832, 5832FS, 5833, 8193, 8302, 8303, 8305, 8306, 8877, 8878, 8879		170, 770, 3709, 770FS, 770SP, 770STST, 7770		270, 272, 318, 322, 370, 375, 376, 470, 472, 478, 712, 870, 871, 873, 1370	

# Weatherstripping



KERF FRAME WEATHERSTRIPPING		Length (Feet)										
Part No.	Description	8 ft	9 ft	17 ft	18 ft	19 ft	20 ft	21 ft	25 ft	200 ft	300 ft	500 ft
8004N	Neoprene kerf seal	\$24.88	N/A	\$52.87	\$55.98	\$59.09	\$62.20	\$65.31	\$77.75	N/A	N/A	\$1,555.00
8043N	Neoprene kerf seal/black	\$28.16	N/A	\$59.84	\$63.36	\$66.88	\$70.40	\$73.92	\$88.00	N/A	\$1,056.00	N/A
8052N	Kerf sponge seal	\$24.08	N/A	\$51.17	\$54.18	\$57.19	\$60.20	\$63.21	\$75.25	N/A	\$903.00	N/A
8054S-BK	Kerf pressure seal, silicone black ø .250"	\$32.08	N/A	\$68.17	\$72.18	\$76.19	\$80.20	\$84.21	\$100.25	N/A	\$2,005.00	N/A
8054S-WH	Kerf pressure seal, silicone black ø .250"	\$32.08	N/A	\$68.17	\$72.18	\$76.19	\$80.20	\$84.21	\$100.25	N/A	\$1,203.00	N/A
8053Q-BR	Kerf foam seal/brown	N/A	\$3.21	N/A	N/A	N/A	N/A	N/A	N/A	N/A	N/A	N/A
8053Q-WH	Kerf foam seal/white	N/A	\$3.21	N/A	N/A	N/A	N/A	N/A	N/A	N/A	N/A	N/A
8056S-WH	Kerf pressure seal, silicone white ø .438"	\$38.00	N/A	\$80.75	\$85.50	\$90.25	\$95.00	\$99.75	\$118.75	N/A	\$1,425.00	N/A
8800S-BK	Silicone kerf seal/black	\$32.96	N/A	\$70.04	\$74.16	\$78.28	\$82.40	\$86.52	\$103.00	N/A	N/A	\$2,060.00
8810S-BK	Silicone kerf seal/black	\$28.16	N/A	\$59.84	\$63.36	\$66.88	\$70.40	\$73.92	\$88.00	N/A	N/A	\$1,760.00
8810S-WH	Silicone kerf seal/white	\$28.16	N/A	\$59.84	\$63.36	\$66.88	\$70.40	\$73.92	\$88.00	N/A	N/A	\$1,760.00
8812S-BK	Silicone kerf seal/black	\$49.84	\$56.07	\$105.91	\$112.14	\$118.37	\$124.60	\$130.83	\$155.75	\$1,246.00	\$1,869.00	\$3,115.00
8841R	Kerf seal/rubber/black	\$24.08	N/A	\$51.17	\$54.18	\$57.19	\$60.20	\$63.21	\$75.25	N/A	N/A	\$1,505.00

Note: Only the standard sizes shown above are available. Any order for a non-standard length ordered will be sold at the next longer increment.  
See door manufacturer specifications for minimum required clearance between door and frame. Most models shown are available in neoprene (N) or silicone (S).  
Both materials are self-extinguishing and non-staining.



SELF-ADHESIVE WEATHERSTRIPPING												
Solid neoprene and silicone seals		Length (Feet)										
Part No.	Description	8 ft	17 ft	18 ft	19 ft	20 ft	21 ft	25 ft	200 ft	330 ft	500 ft	660 ft
117S-BK	Silicone seal/black/self-adhesive	\$16.56	\$35.19	\$37.26	\$39.33	\$41.40	\$43.47	\$51.75	N/A	\$683.10	N/A	N/A
188BIO-BR	Antibacterial rubber/brown/PSA	\$24.96	\$53.04	\$56.16	\$59.28	\$62.40	\$65.52	\$78.00	N/A	\$1,029.60	N/A	N/A
188FS	Intumescent/silicone/PSA, 45 min. fire rating	\$41.84	\$88.91	\$94.14	\$99.37	\$104.60	\$109.83	\$130.75	N/A	\$1,725.90	N/A	N/A
188S-BK	Silicone/black/PSA	\$20.24	\$43.01	\$45.54	\$48.07	\$50.60	\$53.13	\$63.25	N/A	N/A	N/A	\$1,669.80
188S-BR	Silicone/brown/PSA	\$20.24	\$43.01	\$45.54	\$48.07	\$50.60	\$53.13	\$63.25	N/A	\$834.90	N/A	N/A
188S-CL	Silicone/clear/PSA	\$20.24	\$43.01	\$45.54	\$48.07	\$50.60	\$53.13	\$63.25	N/A	\$834.90	N/A	N/A
188S-GY	Silicone/gray/PSA	\$20.24	\$43.01	\$45.54	\$48.07	\$50.60	\$53.13	\$63.25	N/A	\$834.90	N/A	N/A
188S-WH	Silicone/white/PSA	\$20.24	\$43.01	\$45.54	\$48.07	\$50.60	\$53.13	\$63.25	N/A	\$834.90	N/A	N/A
488BIO	Antibacterial rubber/brown/PSA	\$19.36	\$41.14	\$43.56	\$45.98	\$48.40	\$50.82	\$60.50	N/A	\$798.60	N/A	N/A
488FS	Intumescent/silicone/PSA	\$36.80	\$78.20	\$82.80	\$87.40	\$92.00	\$96.60	\$115.00	N/A	\$1,518.00	N/A	N/A
488S-BK	Silicone seal/black/PSA	\$16.56	\$35.19	\$37.26	\$39.33	\$41.40	\$43.47	\$51.75	N/A	N/A	N/A	\$1,366.20
488S-BR	Silicone seal/brown/PSA	\$16.56	\$35.19	\$37.26	\$39.33	\$41.40	\$43.47	\$51.75	N/A	\$683.10	N/A	N/A
488S-CL	Silicone seal/clear/PSA	\$16.56	\$35.19	\$37.26	\$39.33	\$41.40	\$43.47	\$51.75	N/A	\$683.10	N/A	N/A
488S-GY	Silicone seal/gray/PSA	\$16.56	\$35.19	\$37.26	\$39.33	\$41.40	\$43.47	\$51.75	N/A	\$683.10	N/A	N/A
488S-WH	Silicone seal/white/PSA	\$16.56	\$35.19	\$37.26	\$39.33	\$41.40	\$43.47	\$51.75	N/A	\$683.10	N/A	N/A
8042S-BK	Silicone kerf seal/black/PSA	\$20.00	\$42.50	\$45.00	\$47.50	\$50.00	\$52.50	\$62.50	\$500.00	N/A	N/A	N/A
8144FS-BK	Intumescent batwing type seal/black/PSA	\$49.60	\$105.40	\$111.60	\$117.80	\$124.00	\$130.20	\$155.00	N/A	N/A	\$3,100.00	N/A
8144S-BK	Silicone/batwing type/black/PSA	\$34.96	\$74.29	\$78.66	\$83.03	\$87.40	\$91.77	\$109.25	N/A	N/A	\$2,185.00	N/A
8145S-BK	Silicone/black/PSA	\$21.84	\$46.41	\$49.14	\$51.87	\$54.60	\$57.33	\$68.25	\$546.00	N/A	N/A	N/A
8150S-BK	Silicone/black/PSA	\$26.16	\$55.59	\$58.86	\$62.13	\$65.40	\$68.67	\$81.75	\$654.00	N/A	N/A	N/A
8216S-BK	Pressure seal/silicone/black/PSA	\$17.76	\$37.74	\$39.96	\$42.18	\$44.40	\$46.62	\$55.50	N/A	N/A	\$1,110.00	N/A

Note: Only the standard sizes shown above are available. Any order for a non-standard length ordered will be sold at the next longer increment.



THRESHOLDS

AUTOMATIC DOOR BOTTOMS

PERIMETER SEALS

WEATHERSTRIPPING

SOLUTIONS & SPECIALTY PRODUCTS

PARTS

SELF-ADHESIVE WEATHERSTRIPPING											
Closed cell sponge neoprene seals		Length (Feet)									
Part No.	Description	8 ft	17 ft	18 ft	19 ft	20 ft	21 ft	25 ft	100 ft	300 ft	500 ft
139N	Neoprene, 1-1/4" x 1/8" (31.8 x 3.2)	\$41.12	\$87.38	\$92.52	\$97.66	\$102.80	\$107.94	\$128.50	N/A	N/A	\$2,570.00
139N-PSA	Neoprene with PSA, 1-1/4" x 1/8" (31.8 x 3.2)	\$65.52	\$139.23	\$147.42	\$155.61	\$163.80	\$171.99	\$204.75	N/A	N/A	N/A
312N	Neoprene, 3/16" x 1/2" (4.7 x 12.7)	\$16.80	\$35.70	\$37.80	\$39.90	\$42.00	\$44.10	\$52.50	N/A	N/A	\$1,050.00
312N-PSA	Neoprene with PSA, 3/16" x 1/2" (4.7 x 12.7)	\$19.84	\$42.16	\$44.64	\$47.12	\$49.60	\$52.08	\$62.00	N/A	N/A	N/A
318N	Closed cell sponge neoprene black, 3/8" x 3/4" (9.5 x 19.1)	\$36.56	\$77.69	\$82.26	\$86.83	\$91.40	\$95.97	\$114.25	N/A	N/A	\$2,285.00
318N-PSA	Closed cell sponge neoprene black with PSA, 3/8" x 3/4" (9.5 x 19.1)	\$62.96	\$133.79	\$141.66	\$149.53	\$157.40	\$165.27	\$196.75	N/A	N/A	N/A
810N	Closed cell neoprene/bumper type/PSA, .625" x .625" (15.9 x 15.9)	\$32.80	\$69.70	\$73.80	\$77.90	\$82.00	\$86.10	\$102.50	N/A	\$1,230.00	N/A
926N	Closed cell sponge neoprene with PSA - 50 ft. (15.24m)/roll, 1 roll minimum UOM purchase, .375" x .185" (9.5 x 4.7)	\$21.20	\$45.05	\$47.70	\$50.35	\$53.00	\$55.65	\$66.25	N/A	N/A	\$1,325.00
8172N	Neoprene/PSA .250" x 1/8" (6.4 x 3.2) - Minimum order 75'(22.8m) roll UOM	\$13.04	\$27.71	\$29.34	\$30.97	\$32.60	\$34.23	\$40.75	\$163.00	N/A	\$815.00
8770N	Neoprene/PSA .500" x 1/8" (12.7 x 3.2) -Minimum order 75ft.(22.8m), order in UOM	\$28.64	\$60.86	\$64.44	\$68.02	\$71.60	\$75.18	\$89.50	N/A	N/A	\$1,790.00
8780N	Neoprene/PSA, 1" x .094" (25.4 x 2.4)	\$29.60	\$62.90	\$66.60	\$70.30	\$74.00	\$77.70	\$92.50	N/A	N/A	\$1,850.00

Note: Only the standard sizes shown above are available. Any order for a non-standard length ordered will be sold at the next longer increment.

SELF-ADHESIVE WEATHERSTRIPPING			
Pile brush seals		List price	
Part No.	Description	Per Foot	Per Meter
34P-BK	Pile brush, black	\$6.60	\$21.65
34P-GY	Pile brush, gray	\$6.60	\$21.65
34P-BK-PSA	Self adhesive pile brush, black	\$6.49	\$21.29
34P-GY-PSA	Self adhesive pile brush, gray	\$6.49	\$21.29
137P-BK-PSA	Polypropylene pile, black with PSA, .270" wide x .250" high	\$3.57	\$11.71
137P-GY-PSA	Polypropylene pile, gray with PSA, .270" wide x .250" high	\$3.57	\$11.71
8136P-GY	Woven pile with fin - gray, .188" x .250"	\$3.04	\$9.97



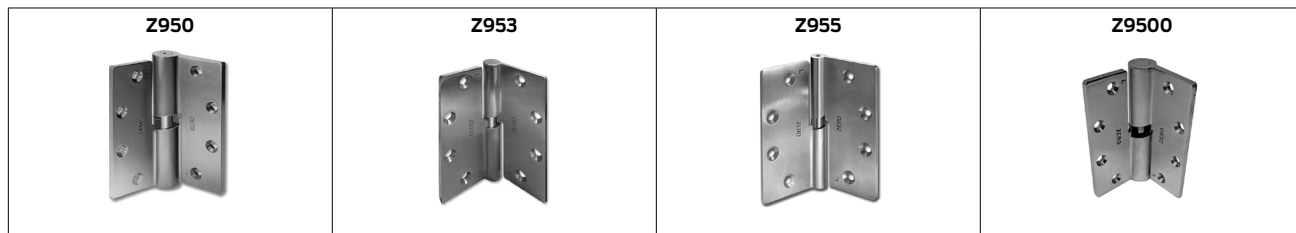
WEATHERSTRIPPING FOR DOORS AND WINDOWS		LIST PRICE	
<b>Cushion-spring seals</b>			
Part number	Description	Per Foot	Per Meter
18B	Cushion bronze, 9/16" (14.2)	\$2.56	\$8.40
19B	Cushion bronze, 3/4" (19.1)	\$2.95	\$9.68
19WB	Cushion bronze, 1-1/8" (28.6)	\$3.02	\$9.91
118B	Cushion bronze/adhesive, 9/16" (14.2)	\$3.19	\$10.47
119B	Cushion bronze/adhesive, 3/4" (19.1)	\$3.99	\$13.09
119WB	Cushion bronze/adhesive, 1-1/8" (28.6)	\$4.45	\$14.60
<b>Jamb seals for double-hung wood windows</b>			
Part number	Description	Per Foot	Per Meter
4B	Bronze jamb 1-3/4" (44.5) top sash	\$14.73	\$48.33
4Z	Zinc jamb 1-3/4" (44.5) top sash	\$4.75	\$15.58
5B	Bronze jamb 2-1/8" (54.0) lower sash	\$16.06	\$52.69
5Z	Zinc jamb 2-1/8" (54.0) lower sash	\$5.19	\$17.03
400B	Bronze side jamb without return flange, 1-3/4" (44.5)	\$16.81	\$55.15
400Z	Zinc side jamb without return flange, 1-3/4" (44.5)	\$4.52	\$14.83
500B	Bronze side jamb without return flange, 2-1/8" (53.1)	\$18.42	\$60.43
500Z	Zinc side jamb without return flange, 2-1/8" (53.1)	\$5.92	\$19.42
4000B	Bronze side jamb without return flange, 1-3/4"	\$16.38	\$53.74
4000Z	Zinc side jamb without return flange, 1-3/4"	\$4.41	\$14.47
5000B	Bronze side jamb without return flange	\$19.18	\$62.93
5000Z	Zinc side jamb without return flange	\$6.13	\$20.11

PSA models use highest-quality foam-based, double-sided tape.

PSA WEATHERSTRIPPING FOR GLASS DOORS		LIST PRICE	
<b>Astragals for swinging doors</b>			
Part number	Description	Per Foot	Per Meter
133	Glass edge protection, 1/2" (12.7) PVC/brush	\$13.04	\$42.78
134	Glass edge protection, 1/2" (12.7) PVC/neoprene	\$13.04	\$42.78
<b>PVC glass edge protection for swinging and sliding doors</b>			
Part number	Description	Per Foot	Per Meter
135	Glass edge protection, 1/2" (12.7) PVC	\$8.08	\$26.51
136	Glass edge protection, 3/4" (19.1) PVC	\$11.20	\$36.75
<b>Poly pile seals with PVC and polycarbonate housings - for swinging and sliding doors</b>			
Part number	Description	Per Foot	Per Meter
137	PVC/pile for 1/2" (12.7) Glass door	\$10.71	\$35.14
138	PVC/pile for 3/4" (19.1) Glass door	\$13.89	\$45.57
8136	Polycarbonate seal/brush, .394" (10)	\$11.33	\$37.17
8137	Polycarbonate seal/brush, .472" (12)	\$11.51	\$37.76
8138	Polycarbonate seal/brush, .590" (15)	\$13.21	\$43.34
<b>Edge protection for glass sliding doors</b>			
Part number	Description	Per Foot	Per Meter
9131-PSA	PVC bumper/PSA, .750" x .188"	\$6.98	\$22.90
9137-PSA	PVC/neoprene for sliding glass doors	\$17.46	\$57.28
9137S-CL	.906" Tall silicone lip seal	\$6.88	\$22.57

## Solutions and specialty products

SOUND CONTROL SYSTEMS		LIST PRICE	
Part number	Description	Per Foot	Per Meter
8880AA	Clear anodized frame, acoustical	\$29.43	\$96.56
8880G	Gold anodized frame acoustical	\$35.33	\$115.91
8880D	Dark bronze anodized frame, acoustical	\$35.33	\$115.91



CAM LIFT FULL MORTISE HINGES		
Part number	Description	List price each
Z950	Stainless steel cam lift - handed - (630) 5" x 4.5" x .250" (127 x 114.3 x 6.4)	\$306.01
Z9500	Stainless steel cam lift - handed - (630) 5" x 4.5" x .250" (127 x 114.3 x 6.4)	\$340.21
Z953	Stainless steel cam lift - handed - (630) 5" x 4.5" x .180" (127 x 114.3 x 4.6)	\$198.95
Z955	Stainless steel cam lift - handed - (630) 4.5" x 4.5" x .134" (114.3 x 114.3 x 3.4)	\$163.21

FLOOD BARRIER SHIELDS		LIST PRICE	
Part number	Description	Per Foot	Per Meter
2070A-10	Flood barrier shield 10" high	\$113.36	\$371.92
2070A-20	Flood barrier shield 20" high	\$204.03	\$669.39
2070A-24	Flood barrier shield 24" high	\$253.42	\$831.43
2070A-30	Flood barrier shield 30" high	\$312.00	\$1,023.62
2070A-36	Flood barrier shield 36" high	\$374.38	\$1,228.28

1. Each flood barrier shield is custom fabricated. Specify exact width needed and installation option required.
2. Widths up to 36" standard.
3. Aluminum panel insert is supplied 7/16" shorter than order width.

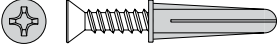
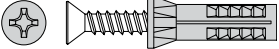





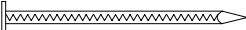


FINGER GUARDS		LIST PRICE	
Part number	Description	Per Foot	Per Meter
51A-180	8.5" Wide rubber, gray, for doors that open to 180°	\$22.51	\$73.85
51A-90	6.5" Wide rubber, gray, for doors that open to 90°	\$21.05	\$69.06
51BK-180	8" Wide rubber, gray, for doors that open to 180°	\$31.37	\$102.92
51BK-90	6.5" Wide rubber, gray, for doors that open to 90°	\$29.48	\$96.72
51D-180	8" Wide rubber, gray, for doors that open to 180°	\$31.37	\$102.92
51D-90	6.5" Wide rubber, gray, for doors that open to 90°	\$29.48	\$96.72
51G-180	8" Wide rubber, gray, for doors that open to 180°	\$31.37	\$102.92
51G-90	6.5" Wide rubber, gray, for doors that open to 90°	\$29.48	\$96.72
951A	Cover for mortise type hinge	\$17.15	\$56.27
951BK	Black anodizing cover for mortise type hinge	\$23.42	\$76.84
951D	Dark bronze anodized cover for mortise type hinge	\$23.42	\$76.84
951G	Gold anodizing cover for mortise type hinge	\$23.42	\$76.84

BIOWALL™ ANTIBACTERIAL FINGER GUARDS		LIST PRICE	
Part number	Description	Per Foot	Per Meter
971AA-BIO	Biowall antibacterial rubber, white	\$22.52	\$73.88
971BK-BIO	Black anodized Biowall antibacterial rubber, white	\$31.27	\$102.59
971D-BIO	Dark bronze anodized Biowall antibacterial rubber, white	\$31.27	\$102.59
971G-BIO	Gold anodized Biowall antibacterial rubber, white	\$31.27	\$102.59
972AA-BIO	Biowall antibacterial rubber, white	\$19.08	\$62.60
972BK-BIO	Black anodized Biowall antibacterial rubber, white	\$26.56	\$87.14
972D-BIO	Dark bronze anodized Biowall antibacterial rubber, white	\$26.56	\$87.14
972G-BIO	Gold anodized Biowall antibacterial rubber, white	\$26.56	\$87.14
973AA-BIO	Biowall antibacterial rubber, white	\$26.49	\$86.91
973BK-BIO	Biowall antibacterial rubber, white	\$36.81	\$120.77
973D-BIO	Biowall antibacterial rubber, white	\$36.81	\$120.77
973G-BIO	Biowall antibacterial rubber, white	\$36.81	\$120.77
974AA-BIO	Biowall antibacterial rubber, white	\$22.02	\$72.24
974BK-BIO	Biowall antibacterial rubber, white	\$30.77	\$100.95
974D-BIO	Biowall antibacterial rubber, white	\$30.77	\$100.95
974G-BIO	Biowall antibacterial rubber, white	\$30.77	\$100.95

**PARTS**

EXPANSION SHIELD / ANCHORS					
Model	Description		Pkg qty	Part No.	List price
#221	Plastic shield with #10 x 1-1/4" (or 1-1/2", 1-3/4") flat Phillips® SMS		4	47257389	\$3.92/pack
#222	Lead shield with #10 x 1-1/4" (or 1-1/2", 1-3/4") flat Phillips SMS		4	47257390	\$3.99/pack
#223	MSLA-10 Anchor with #10-24 x 1-1/2" flat Phillips machine screw		4	47257391	\$9.29/pack
#224	MSLA-4 Anchor with #1/4-20 x 1-1/2" flat Phillips machine screw		4	47257392	\$9.29/pack
#226	Stainless steel sleeve anchor		4	47257393	\$28.24/pack

NAILS				
Model	Description		Part No.	List price
16	7/8" (22.2) Zinc plated flathead steel nail		47264927	\$49.42/lb.

Note: 1 lb. contains ~1300 pcs. Minimum order 1 lb.

ANCHOR QUANTITIES BY THRESHOLD LENGTH						
Model	≤41"	>41" and ≤85"	>85" and ≤126"	>126" and ≤170"	>170" and ≤210"	>210"
525, 526, 624, 625, 626, 8726, 7336, 7337, 7338	8	16	24	32	40	48
8729	12	20	28	36	44	52
All others	4	8	12	16	20	24

**Security screws**

Torx® screws for D, BK, G finished products are available upon request, call for price.

Security screws for A/AA/SP/STST finish products in chart below.

SECURITY SCREWS					
Category	Model	Contents	Finish	Part No.	List price
HNJ and FG	11, 31, 32, 33, 39, 44, 47, 50, 52, 53, 55, 72, 95, 96, 98, 99, 100, 110, 111, 139, 140, 141, 142, 153, 154, 155, 254, 255, 270, 272, 312, 314, 318, 322, 326, 328, 329, 339, 376, 381, 429, 452, 470, 472, 475, 477, 478, 485, 539, 555, 570, 712, 870, 871, 873, 905, 1370, 3709, 8049, 8149, 8151, 8191, 8192, 8193, 8194, 8195, 8197, 8198, 8302, 8303, 8305, 8877, 8878, 8879, 111FS, 302FS, 328FS, 339FS, 339W, 39W, 50M, 555FS, 55FS, 639W, 973BIO, 511, 51, 951, 972BIO	(12) #6 x 1" button security Torx SMS, clear ZP	A or AA	47259852	\$22.34
ADJ	170, 770, 770FS, 7770	(19) #8 x 1-1/2" flat security Torx SMS, clear ZP	AA, SP, or STST	47259939	\$26.81
STILES	383, 383FS	(10) #8 x 3/4" flat security Torx SMS, clear ZP	AA	47259975	\$14.89
ADB	352, 362, 366, 368	(11) #8 x 1-1/2" flat security Torx SMS, clear ZP	AA	47259741	\$14.89
ADB	321, 351, 361, 365, 367	(11) #8 x 1-1/2" button security Torx SMS, clear ZP	AA	47259744	\$52.11



**PARTS**

END CAP SETS				
Model	Contents	Finish	Part No.	List price
Z49: 360, 364, 369	(2) Endcaps (8) Screws	USP	47252145	\$18.51
321A	(4) Endcaps (2) Screws for both handings	A	47253671	\$8.13
321	(4) Endcaps (2) Screws for both handings	G, D, BK	47253671-695	\$8.13
320, 323	(2) Endcaps (4) Screws	AA	47251270	\$8.13
350, 360, 364, 369	(2) Endcaps (4) Screws	AA	47251371	\$8.13
351, 352	(2) Endcaps (4) Screws	AA	47251332	\$8.13
351, 352	(2) Endcaps (4) Screws	D, BK	47251332-695	\$8.13
361, 362, 365, 366, 367, 368	(2) Endcaps (4) Screws	AA	47251383	\$8.13
361, 362, 365, 366, 367, 368	(2) Endcaps (4) Screws	D, BK	47251383-695	\$8.13
141 Rain Drip: 362, 366, 368	(2) Endcaps (4) Screws	All finishes	47253705	\$8.47
477	(2) Endcaps (4) Screws	A, AA	47255366	\$7.83

AUTOMATIC DOOR BOTTOM ACCESSORIES		
Description	Part No.	List price
Brass actuator nut, 50mm	47255867	\$4.45
Locking key for automatic door bottoms	8361KEY	\$5.14

SCREW PACKS - ADBS				
Model	Contents	Finish	Part No.	List price
320, 323, 350, 355, 360, 364, 369, 3551, 3552	(22) Screws #6 x 3/4" PPHSDS	AA	47253854	\$5.96
321, 351, 361, 365, 367 up to 108"	(11) Screws #8 x 1-1/2" Truss PHSMS ZP	AA	47253868-00	\$5.96
321, 351, 361, 365, 367 up to 108"	(11) Screws #8 x 1-1/2" Truss PHSMS Gold ZP	G	47253868-34	\$44.68
321, 351, 361, 365, 367 up to 108"	(11) Screws #8 x 1-1/2" Truss PHSMS Black ZP	D, BK	47253868-695	\$5.96
352, 362, 366, 368	(4) #8 x 1-1/2" flat Torx SMS, ZP	AA	47257743	\$5.96
352, 362, 366, 368	(11) Screws #8 x 1-1/2" FPHSMS	AA	47253866-00	\$5.96
352, 362, 366, 368 up to 108"	(11) Screws #8 x 1-1/2" FPHSMS - Gold ZP	G	47253866-34	\$44.68
352, 362, 366, 368 up to 108"	(11) Screws #8 x 1-1/2" FPHSMS - Black ZP	D, BK	47253866-695	\$5.96

SCREW PACKS - HEAD AND JAMB				
Model	Contents	Finish	Part No.	List price
170, 770, 7770, 770SP, 770STST	(19) Screws #8x1-1/2" FPHSMS, ZP	AA	47254760	\$5.96
170D, 770D, 7770D	(19) Screws #8x1-1/2" FPHSMS, Black ZP	D, BK	47254761	\$7.46
170G, 770G, 7770G	(19) Screws #8x1-1/2" FPHSMS, Brass plate	G	47254762	\$96.79
11, 31, 32, 33, 39, 39W, 44STST, 47, 50, 50MA, 52, 53, 55, 55FS, 72, 95, 96, 98, 99, 100, 110, 111, 111FS, 139, 140, 140FS, 141, 142, 153, 154, 155, 253, 253FS, 254, 255, 270, 272, 302FS, 312, 314, 314PVC, 318, 322, 326, 326PVC, 328, 328PVC (AA OR A finish screw), 328FS, 329, 329PVC, 339, 339W, 339FS, 339PVC (AA or A finish screw), 376, 376D (AA finish screw), 381, 452, 470, 472, 475, 475D (gets AA finish screw), 475G (gets AA finish screw), 478, 478D (gets AA finish screw), 477, 477D (AA finish screw), 477G (AA finish screw), 485, 511, 539, 555, 555FS, 570, 639WA, 712, 870, 871, 873, 905, 1370, 3544, 3546, 3709, 8049R, 8149, 8151, 8191, 8192, 8193, 8194, 8195, 8197, 8198, 8302, 8303, 8305, 8877, 8878, 8879	(6) Screws #6x1 PPHSDS	AA, A	47254768	\$6.19

THRESHOLDS  
AUTOMATIC DOOR BOTTOMS  
PERIMETER SEALS  
WEATHERSTRIPPING  
SOLUTIONS & SPECIALTY PRODUCTS  
PARTS



**PARTS**

SCREW PACKS - HEAD AND JAMB				
Model	Contents	Finish	Part No.	List price
11, 31, 32, 33, 142, 302FS, 314, 326, 328, 329, 339, 339FS, 339W, 485, 8197, 8198	(6) Screws #6x1 PPHSDS, Black ZP	D, BK	47254769	\$12.39
314, 302FS, 326, 328, 485, 31, 32, 33, 339, 339W, 328, 329, 8197, 339FS, 8198, 11, 142	(6) Screws #6x1 PPHSDS, Brass plate	G, B	47254770	\$6.19
41, 1840	(10) Screws #6x3/4" FPHSMS (10) Screws #6x3/4" FPHSMS Dark Bronze finish (10) Screws #6x3/4" Gold finish	AA, D, BK, G	47254801	\$29.80
429	(6) Screws #10x3/4" PPHSDMS	A	47254804	\$4.41
43SP, 43STST	(11) 1/4-20X1 FPHMS (11) 1/4-20 Sex bolts 1" long (4) #10 x 3/4" PPHSDS	All finishes	47254805	\$41.68
521FS	(6) Flanged #10 C-Sink washer	All finishes	47254806	\$5.96
383, 383FS	(10) #8 x 3/4" FPHSMS (10) #8 x 3/4" FPHSMS Black ZP	AA, D	47254807	\$5.96
51A-90, 51A-120, 51A-180, 951,971AA-BIO, 972AA-BIO, 974AA-BIO, 973AA-BIO	(10) #6x3/4" PPHSMS	A or AA	47254808	\$5.96
56, 156, 557	(20) 8-32x5/8 OPHMS Steel ZP	All finishes	47257629	\$29.80

SCREW PACKS - THRESHOLDS				
Model	Contents	Finish	Part No.	List price
All "A" or "AA" Finish Thresholds and 93A	(4) Screws #10X1-1/2 FPHSMS	A, AA	47254099	\$5.96
All "D" or "BK" Finish Thresholds	(4) Screws #10X1-1/2 FPHSMS Black ZP	D, BK	47254100	\$5.96
All "B" or "G" Finish Thresholds	(4) Screws #10X1-3/4 FPHWS Brass	B, G	47254101	\$16.39
All - ORB Finish Thresholds	(4) Screws #10X1-3/4 FPHWS Brass, Oil Rubbed	B-ORB	47254101-10B	\$23.82
All "STST" Finish Thresholds	(4) Screws #10X1-1/4 FPHSMS S.S.	STST	47254102	\$5.96
Any Brass Threshold	(4) #10X1-1/2" FPHWS, Brass	B	47257628	\$9.68

SCREW PACKS - OTHER					
Category	Model	Contents	Finish	Part No.	List price
Flood barrier	2070A	(10) 7/6" Locking Plug, 16 - Thumb Screw Assemblies (10) #10x1-1/2" FPHSMS (10) Plastic Anchors	A	47255200	\$89.34
Strike plate	328SPB, 770SPB, 870SPB	(3) #12 x 1-1/4" FPHSMS S.S.	All finishes	47255358	\$5.96
Weather-stripping	4B,4Z, 5B, 5Z, 18B, 19B, 19WB, 23B, 400B, 400Z, 500B, 500Z, 4000B, 4000Z, 5000B, 5000Z	(10) Nails #16x7/8" (10) 5/16 Waferhead Drive Screws	All finishes	47253928	\$5.96
Hinge	Z955	(8) Screws #12x1-1/4" FPHSMS S.S. (8) Screws 12-24x3/4" UFPHMS S.S.	AA	47253873	\$24.53
Hinge	Z950, Z953	(8) Screws #12x3/4" FPHSMS S.S. (8) Screws 12-24x3/4" UFPHMS S.S.	AA	47253874	\$9.41
Hinge	Z9500	(8) Screws 5/16-18x3/4" FPHMS S.S.	AA	47253876	\$7.46

MISCELLANEOUS		
Part No.	Description	List price
137TAPE	Dual sided closed cell foam tape, white, 3/8" wide x 1/32" x 216' roll	\$34.47
138TAPE	Dual sided closed cell foam tape, white, 5/8" wide x 1/32" x 216' roll	\$49.72
9495TAPE	3M double-coated clear tape - .250" wide - 180' (54.9m) roll, minimum order and UOM	\$43.57

THRESHOLDS

AUTOMATIC DOOR BOTTOMS

PERIMETER SEALS

WEATHERSTRIPPING

SOLUTIONS & SPECIALTY PRODUCTS

PARTS



**PARTS**

REPLACEMENT RUBBER		LIST PRICE	
Part No.	Description	Per Foot	Per Meter
59N	Lip seal for mortise aluminum track	\$3.58	\$11.75
363N	Sponge neoprene, .656" wide	\$7.51	\$24.64
365N	Bulb seal - neoprene, .735" wide	\$8.32	\$27.30
367N	Double wrap ADB seal - neoprene	\$6.53	\$21.42
486N	.36" Wide dual lip and bulb .176" wide, Base - neoprene	\$5.20	\$17.06
521S-BK	Rectangular seal - silicone, 1.938" tall	\$8.80	\$28.87
539N	1.56" Tall sweep seal - neoprene	\$3.58	\$11.75
572N	Lip and bulb seal - neoprene, .36" wide	\$6.23	\$20.44
2070N	.25" x .625" Closed cell sponge neoprene - U-shape extrusion	\$5.42	\$17.78
3150N	Self-extinguishing T-shape EPDM rubber-extrusion, .27" x .071"	\$3.28	\$10.76
3365N	Bottom seal, 5/8" wide	\$8.23	\$27.00
8197N	Tapered lip seal - EPDM, 1.063"	\$6.14	\$20.14
8353N	.469" Wide open bulb seal - neoprene	\$5.24	\$17.19
8557S-BK	Silicone double lip seal with compressive bulb	\$5.84	\$19.16

THRESHOLDS  
AUTOMATIC DOOR BOTTOMS  
PERIMETER SEALS  
WEATHERSTRIPPING  
SOLUTIONS & SPECIALTY PRODUCTS  
PARTS





Company Name: \_\_\_\_\_

Contact: \_\_\_\_\_

Phone: \_\_\_\_\_

Email: \_\_\_\_\_

Purchase Order #: \_\_\_\_\_

USA Email to: Support@allegion.com or Fax to: (800) 851-0000

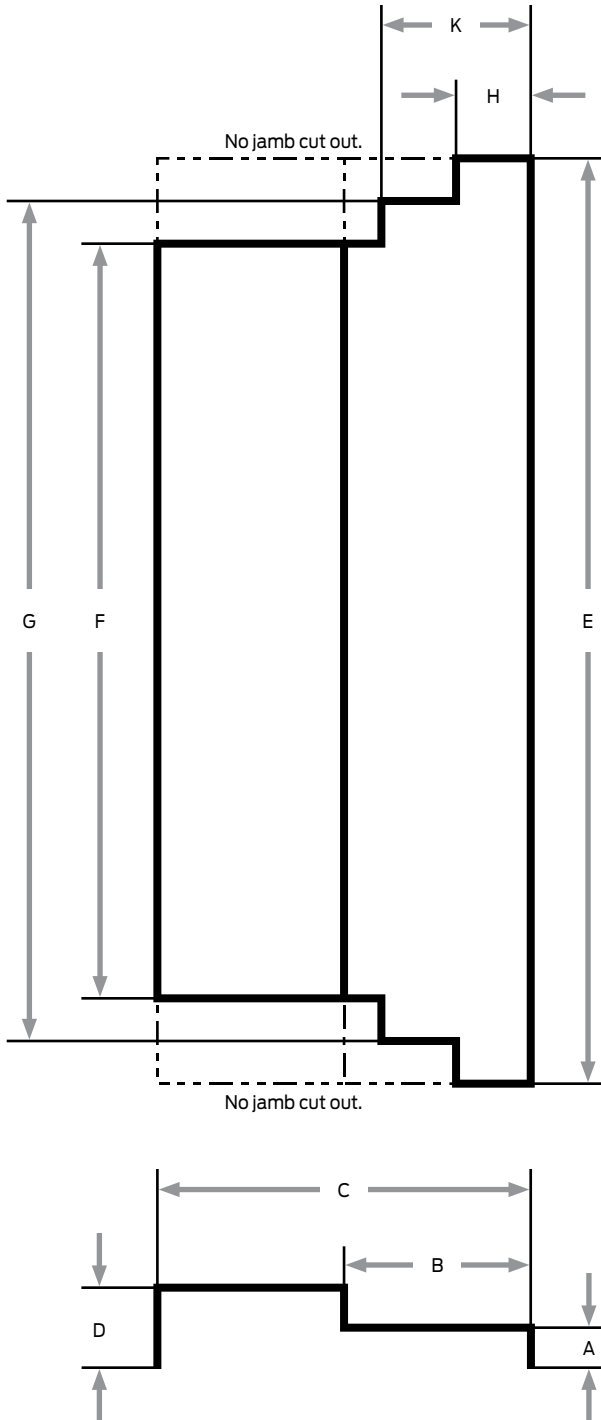
CAN Email to: Canada.TechServices@allegion.com

Please complete Qty.

Product	Desc.	Qty.
669A	Aluminum	
669S	Steel	
669STST	Stainless	

Please complete dimensions in inches or mm.  
Must complete A-E, F-K optional if required.

Dimension	Inches "	MM
Rectangular - No jamb cut outs	A minimum dimension 1"	
	B	
	C	
	D can only be 1" greater than A	
	E	
Jamb cut outs	F	
	G	
	H	
	K	



THRESHOLDS

AUTOMATIC DOOR BOTTOMS

PERIMETER SEALS

WEATHERSTRIPPING

SOLUTIONS & SPECIALTY PRODUCTS

PARTS



this page intentionally blank

## About Allegion

Allegion (NYSE: ALLE) is a global pioneer in seamless access. We keep people and their assets safe, wherever they are, bringing together simple solutions, convenient access and advanced technology.

For more, visit [www.allegion.com](http://www.allegion.com)

KRYPTONITE ■ LCN ■  ■ STEELCRAFT ■ VON DUPRIN